



US00D400823S

# United States Patent [19]

Bagshaw

[11] Patent Number: **Des. 400,823**

[45] Date of Patent: **\*\*Nov. 10, 1998**

[54] **UMBRELLA SUPPORTED PLANT POT**

4,708,256 11/1987 Intardonato ..... 220/23.4  
4,908,982 3/1990 Quatrini ..... 47/39

[76] Inventor: **David S. Bagshaw**, P.O. Box 683,  
Aquebogue, N.Y. 11931

*Primary Examiner*—Caron D. Veynar

[\*\*] Term: **14 Years**

## [57] CLAIM

[21] Appl. No.: **79,404**

The ornamental design for a umbrella supported plant pot, as shown.

[22] Filed: **Nov. 13, 1997**

## DESCRIPTION

[51] **LOC (6) Cl.** ..... **11-02**

FIG. 1 is a front elevational view of the umbrella supported plant pot of the present invention;

[52] **U.S. Cl.** ..... **D11/152**

FIG. 2 is a back elevational view of the umbrella supported plant pot of FIG. 1;

[58] **Field of Search** ..... D11/143-156;  
D6/403, 405, 416; 47/65.5, 72, 39, 41.01,  
41.13; 206/423; 220/23.4; 248/27.8, 313

FIG. 3 is a right side elevational view of the umbrella supported plant pot of FIG. 1;

## [56] References Cited

### U.S. PATENT DOCUMENTS

D. 251,718	5/1979	Hart	.....	D11/144
D. 251,763	5/1979	Sovey	.....	D11/152 X
D. 322,046	12/1991	Woods	.....	D11/144
D. 366,855	2/1996	Deelen	.....	D11/152
2,700,847	2/1955	Brasol	.....	47/65.7
3,001,753	9/1961	Smith	.....	248/313
3,245,175	4/1966	Klingberg	.....	47/41.13

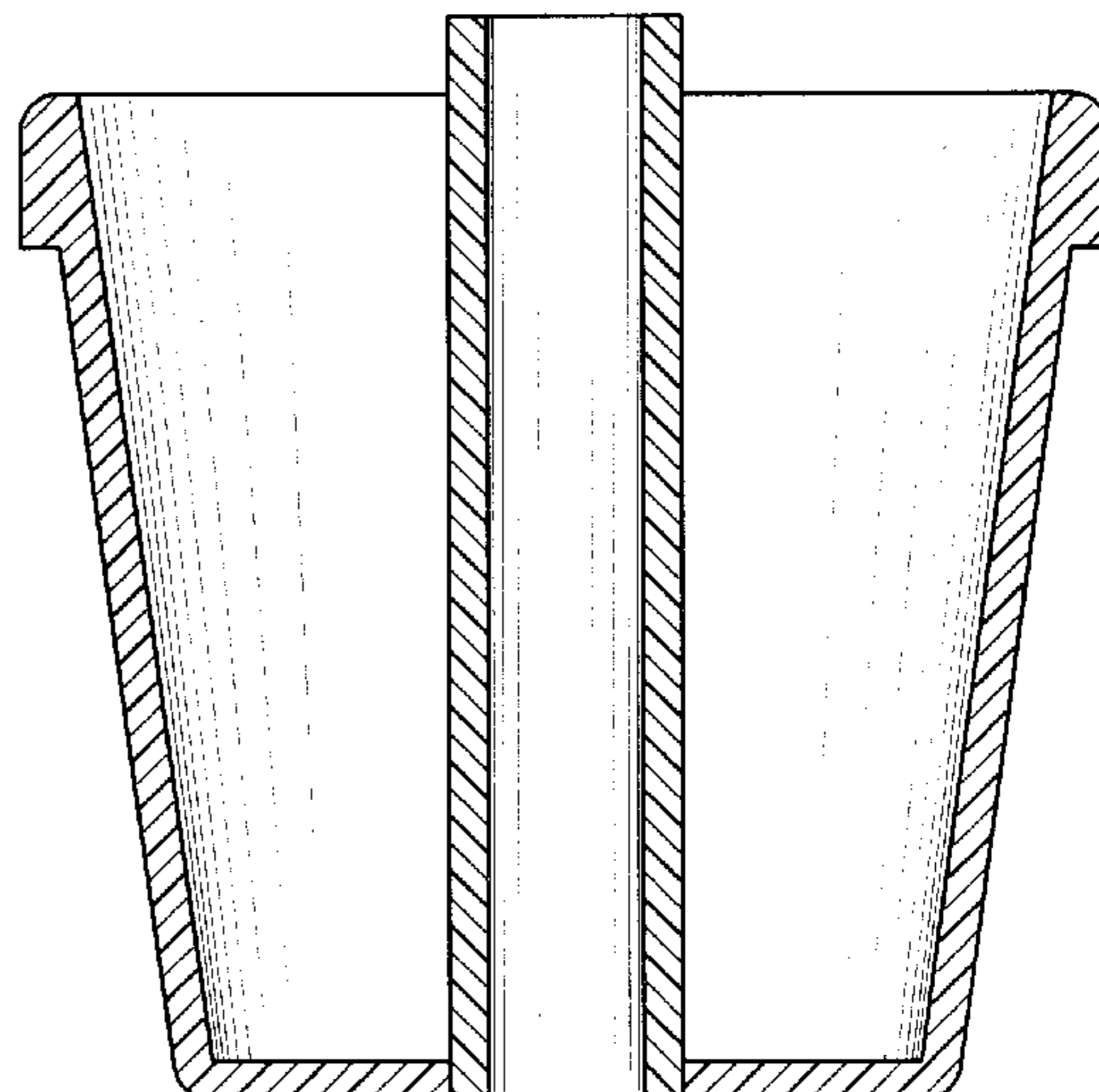
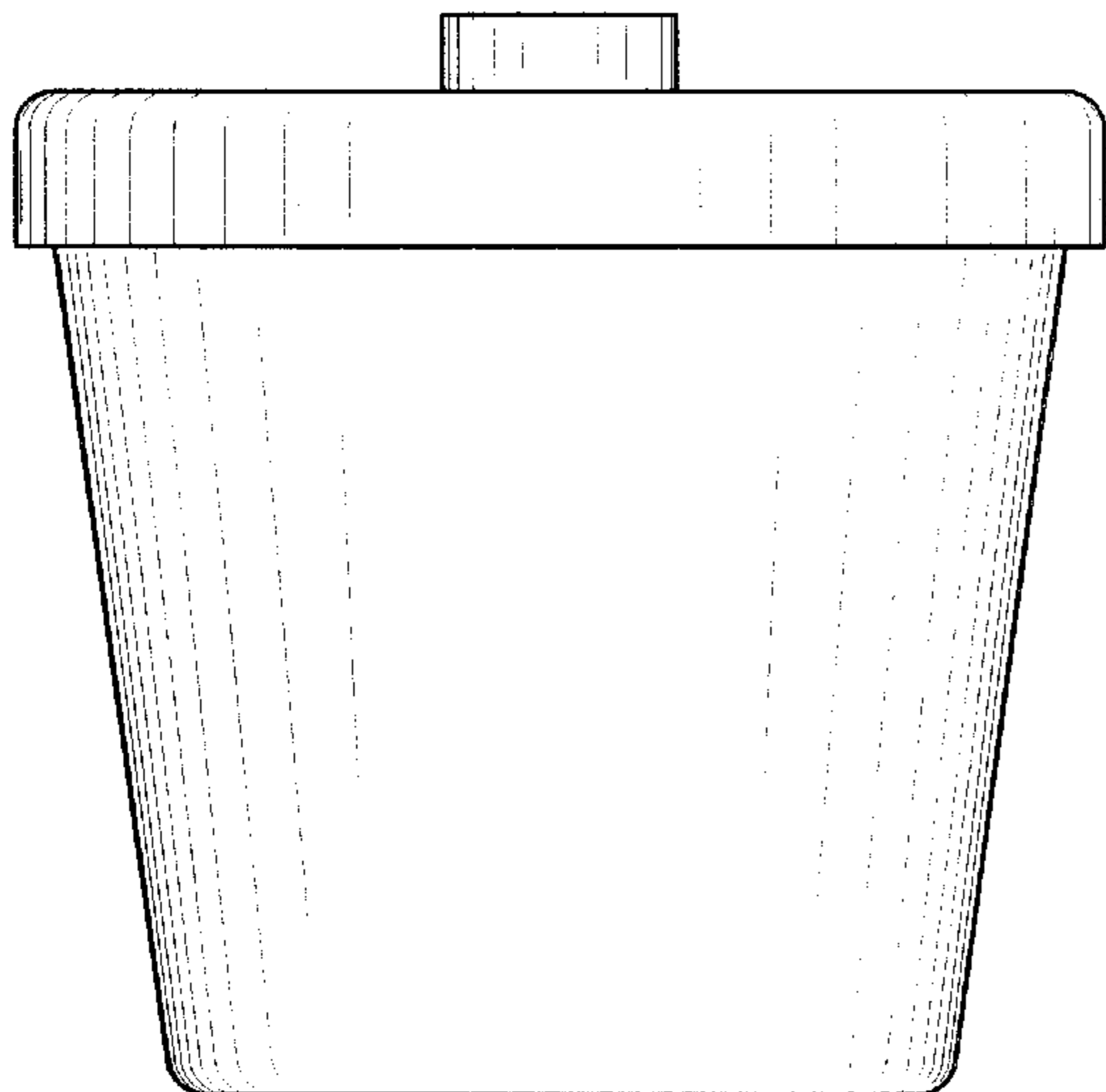
FIG. 4 is a left side elevational view of the umbrella supported plant pot of FIG. 1;

FIG. 5 is a top plan view of the umbrella supported plant pot of FIG. 1;

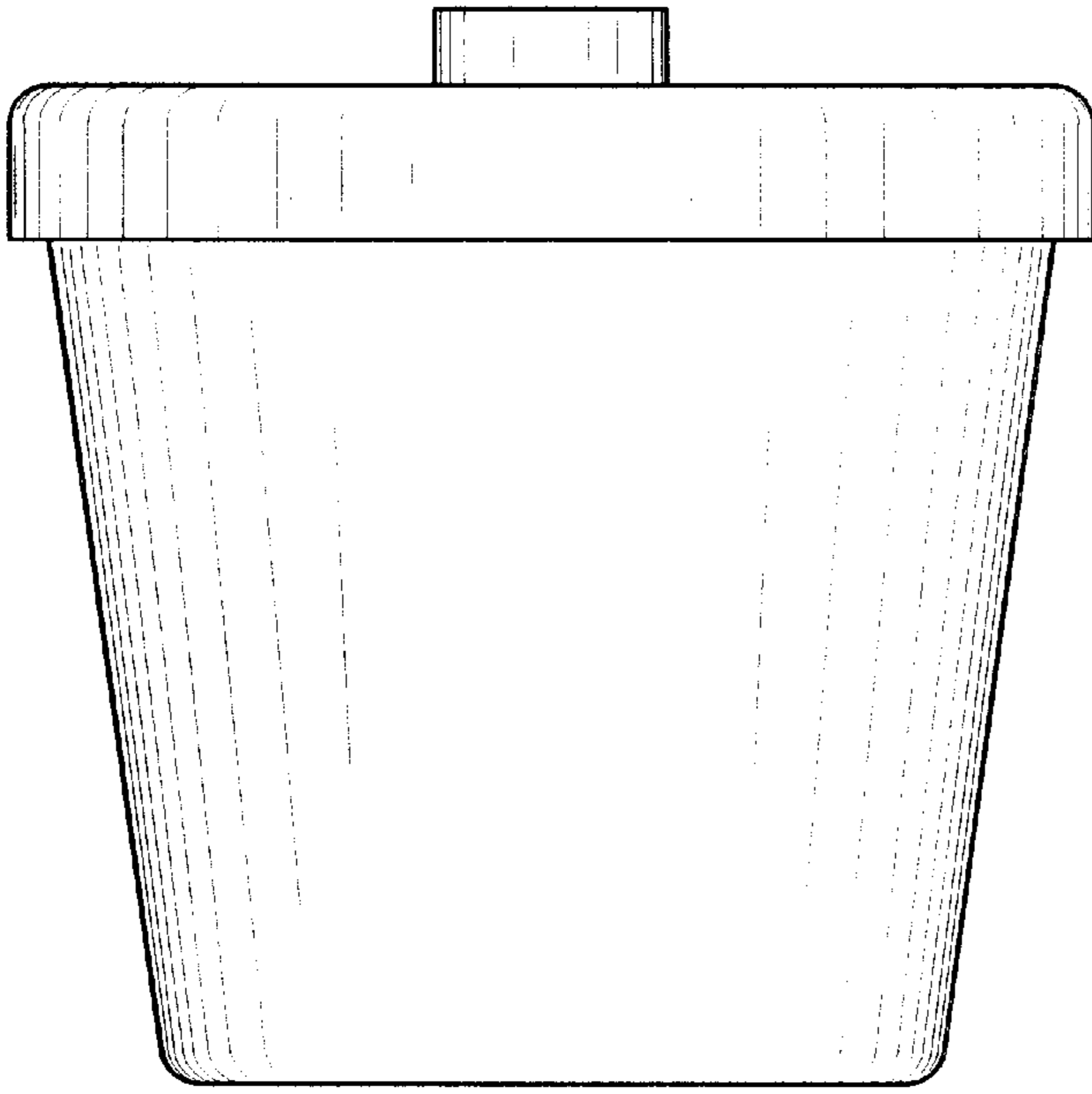
FIG. 6 is a bottom plan view of the umbrella supported plant pot of FIG. 1; and,

FIG. 7 is a cross sectional view along line 7—7 of FIG. 5 of the umbrella supported plant pot of FIG. 1.

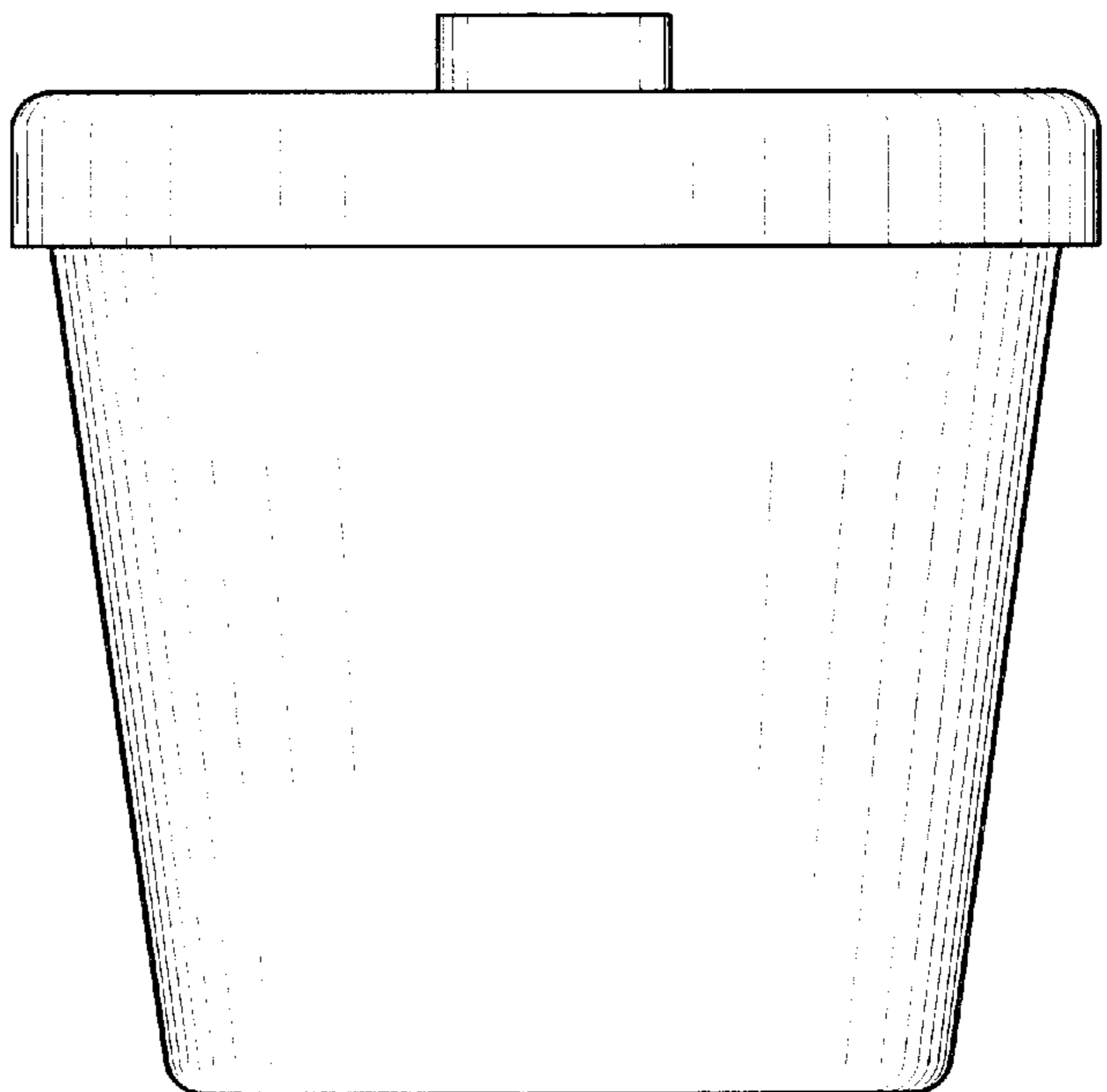
**1 Claim, 4 Drawing Sheets**



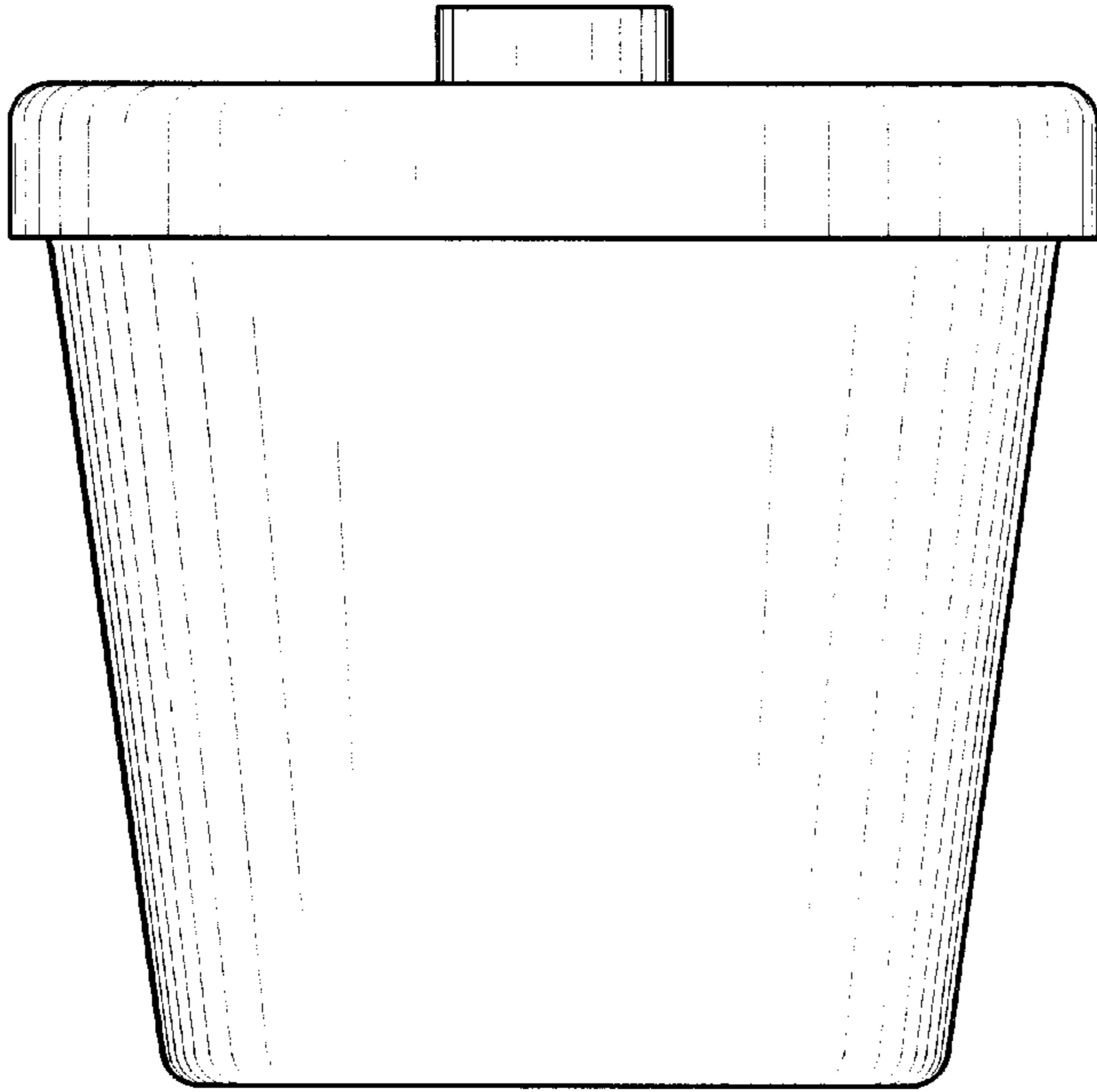
*FIG. 1*



*FIG. 2*



*FIG. 3*



*FIG. 4*

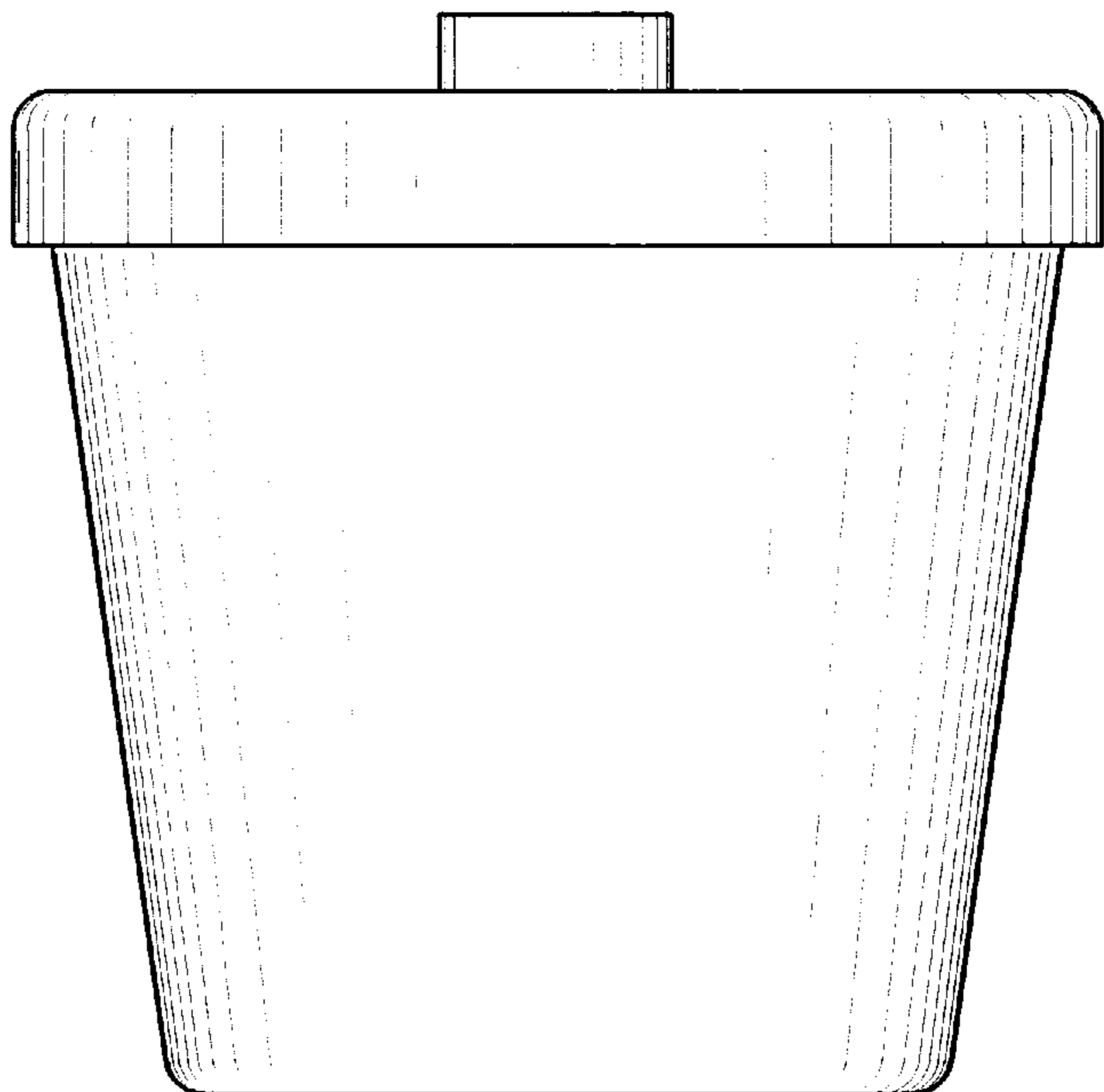


FIG. 5

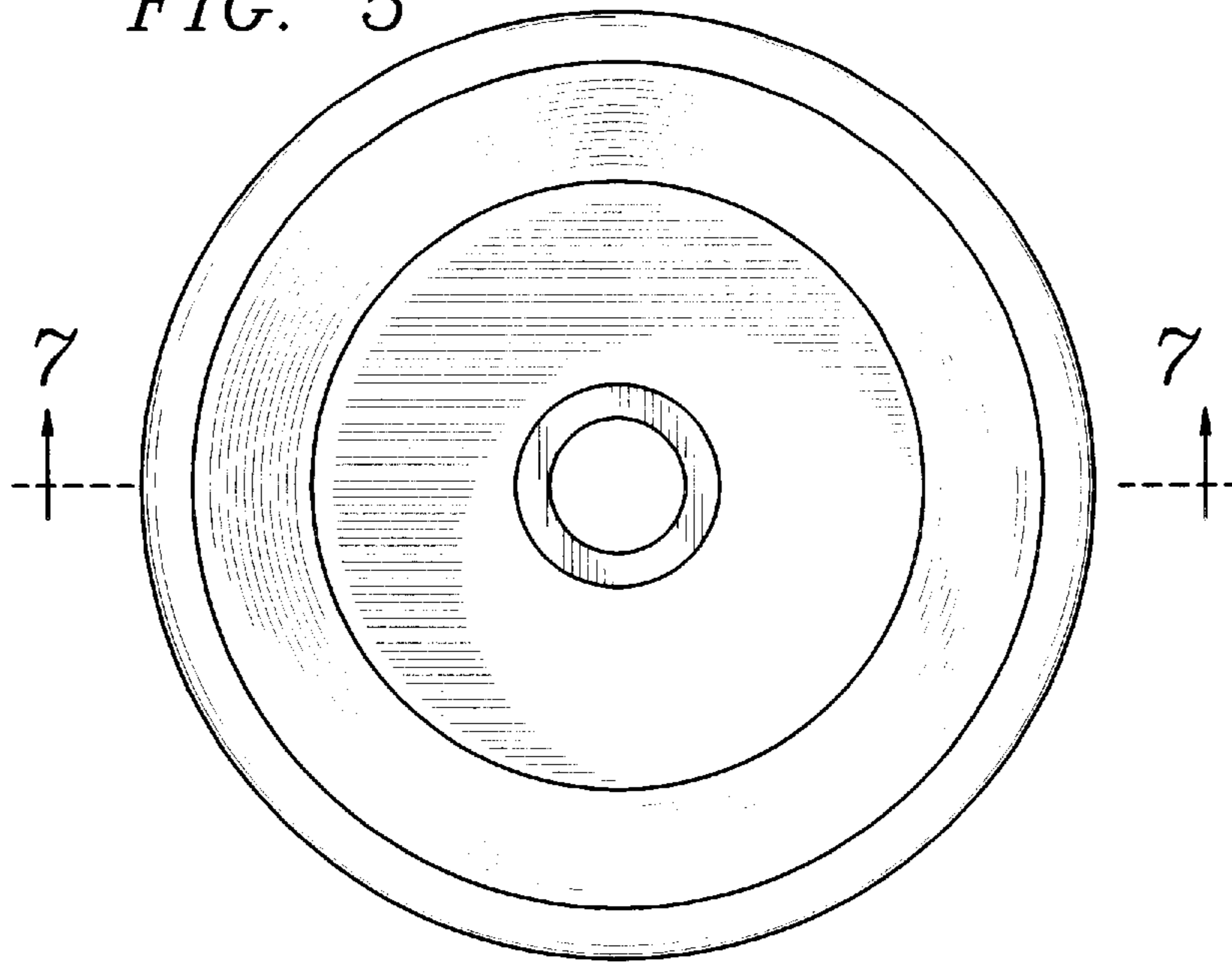


FIG. 6

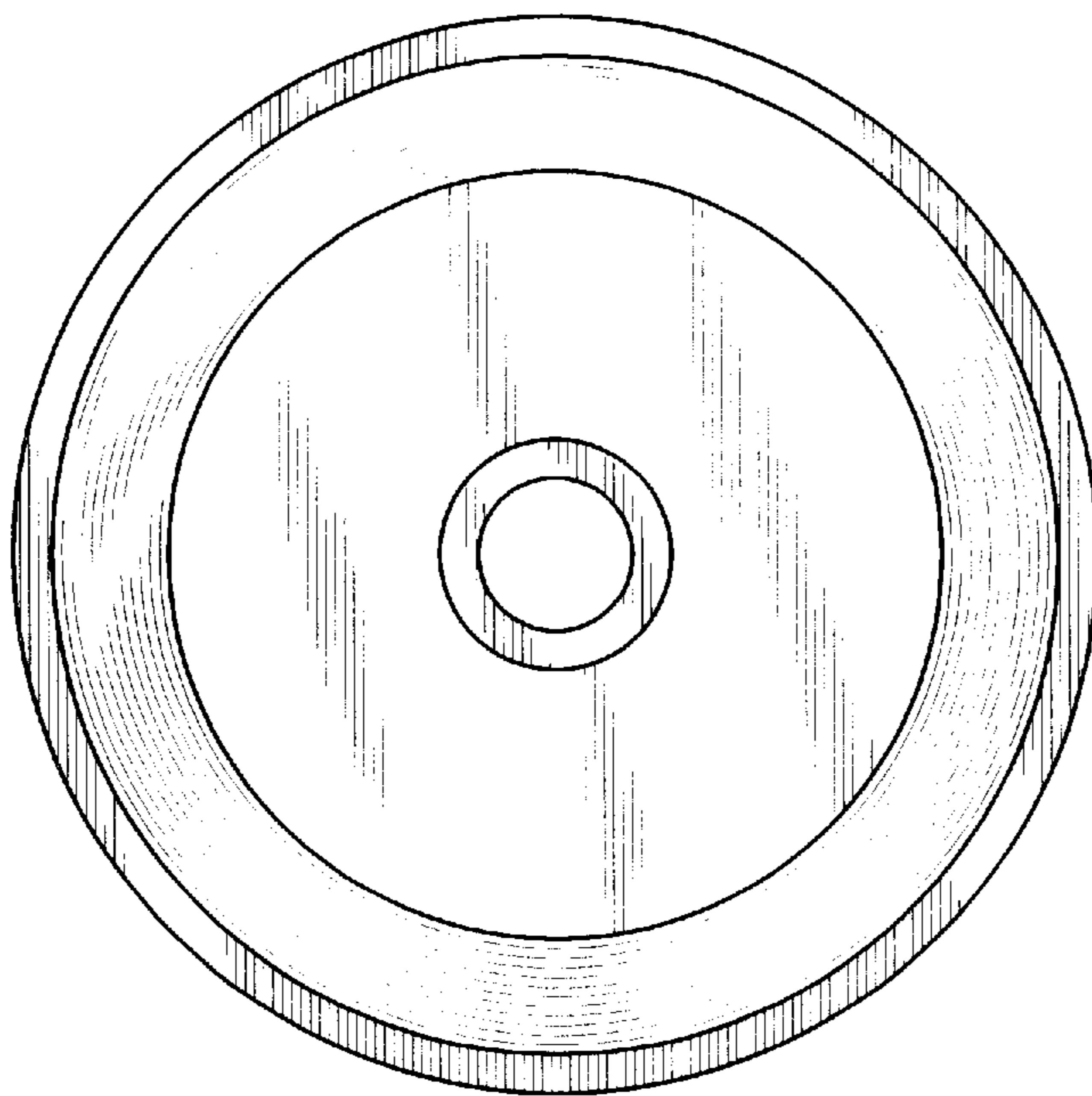


FIG. 7

