



US00D400812S

# United States Patent [19] Maurer

[11] **Patent Number: Des. 400,812**

[45] **Date of Patent: \*\*Nov. 10, 1998**

[54] **FORCE SENSOR**

5,353,003 10/1994 Maurer ..... 338/47  
5,581,226 12/1996 Shah ..... 338/36 X

[75] Inventor: **D. Joseph Maurer**, Pearl City, Ill.

[73] Assignee: **Honeywell Inc.**, Minneapolis, Minn.

[\*\*] Term: **14 Years**

*Primary Examiner*—Antoine Duval Davis  
*Attorney, Agent, or Firm*—Roland W. Norris

[21] Appl. No.: **76,024**

[22] Filed: **Aug. 29, 1997**

[57] **CLAIM**

The ornamental design for a force sensor, as shown.

[51] **LOC (6) Cl.** ..... **10-04**

[52] **U.S. Cl.** ..... **D10/83**

[58] **Field of Search** ..... D10/83-85; 338/36,  
338/47

**DESCRIPTION**

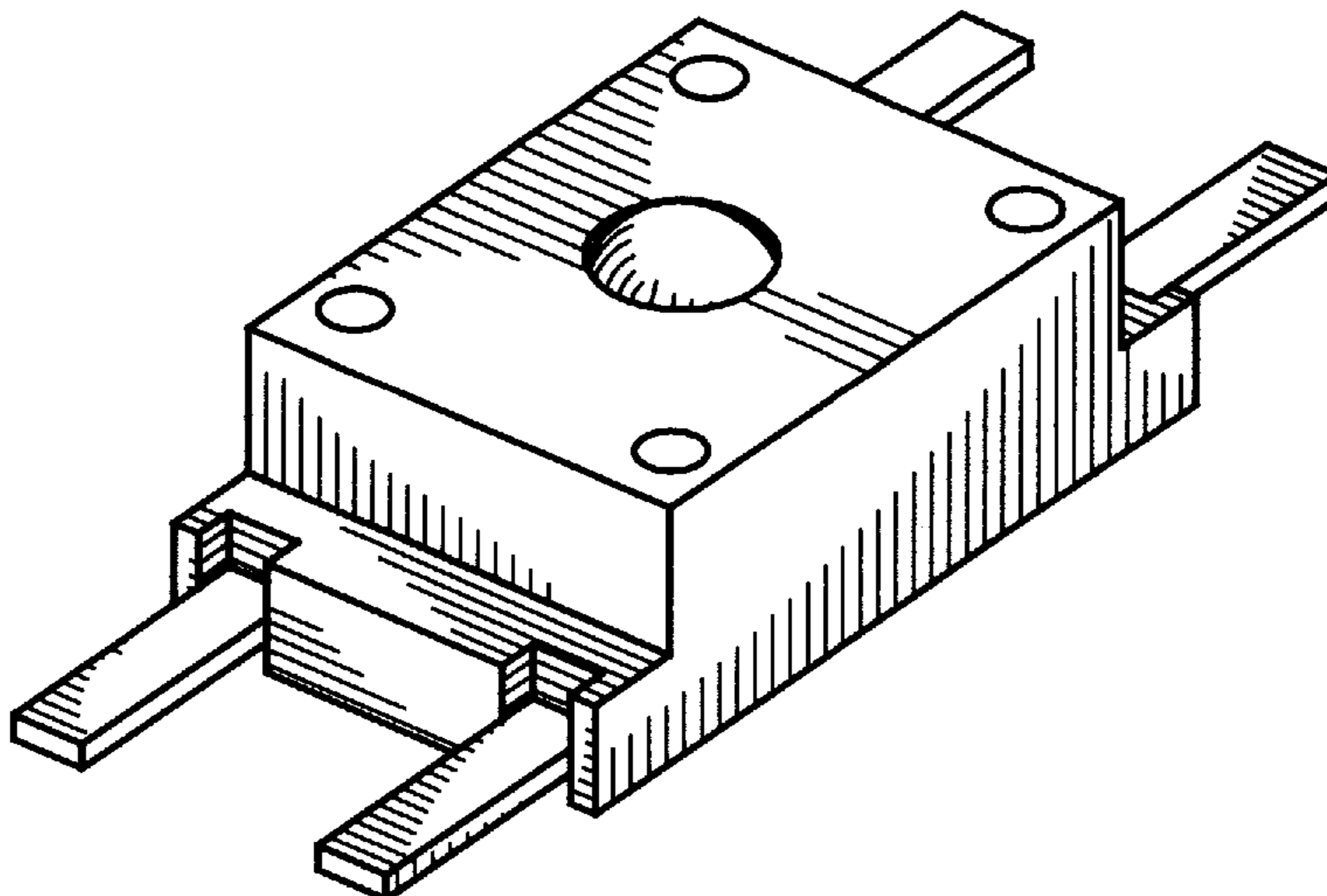
FIG. 1, is a top perspective view of the present invention; FIG. 2 is another top perspective view of the present invention showing the leads bent in a different position; FIG. 3 is another top perspective view of the present invention showing the leads bent in a third position; FIG. 4 is a front view of the present invention; FIG. 5 is a top view of the present invention; and, FIG. 6 is a side view of the present invention.

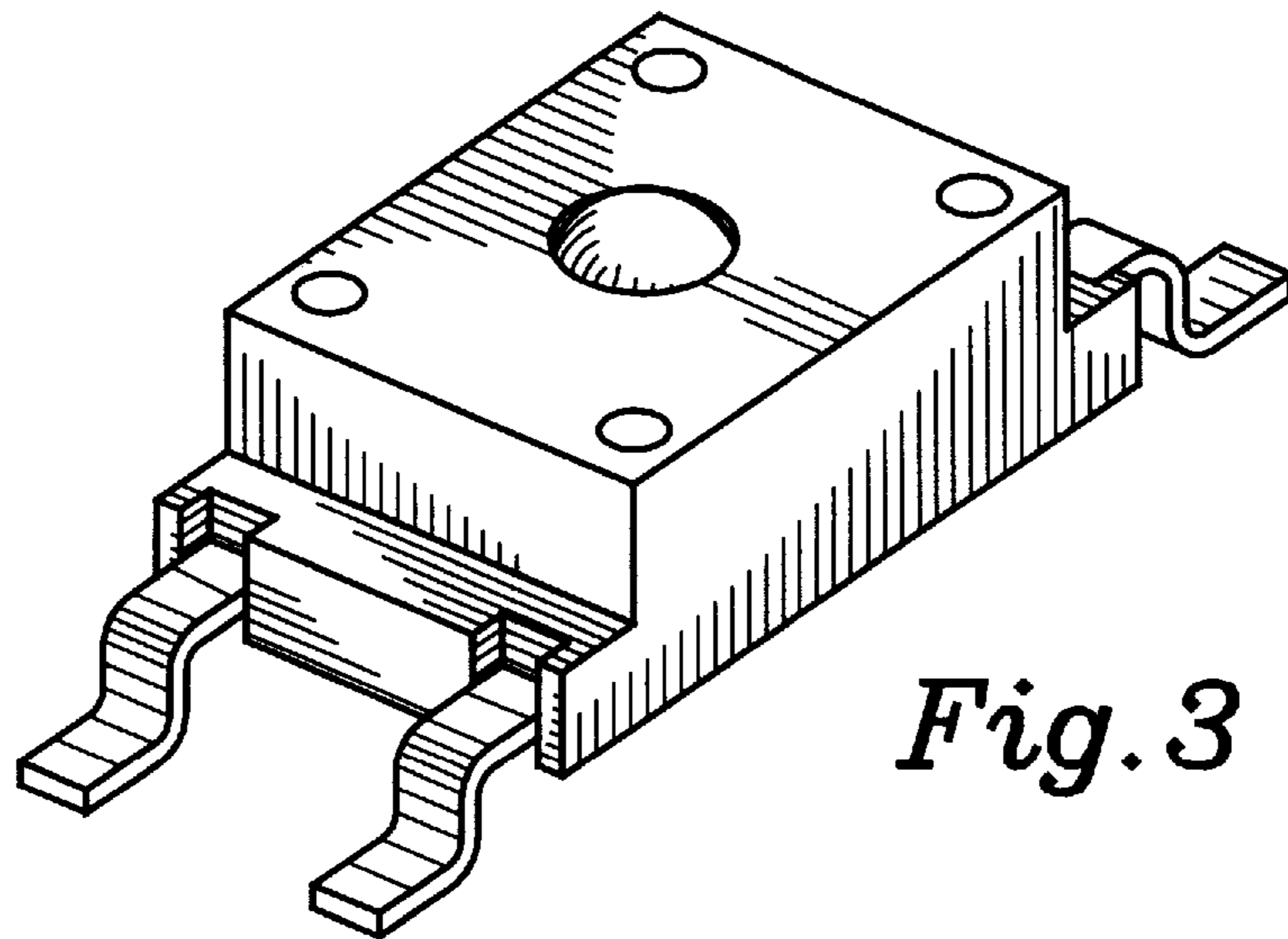
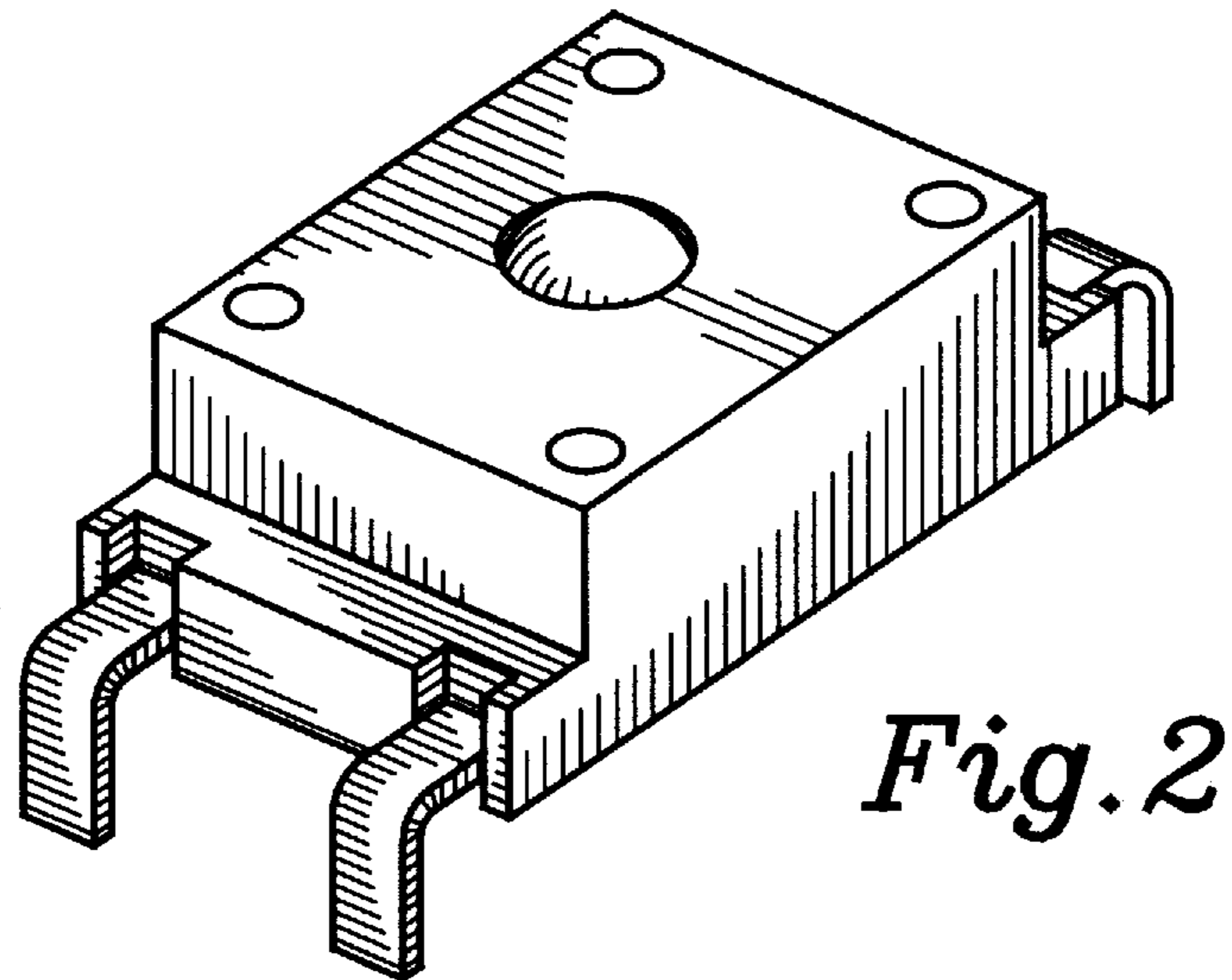
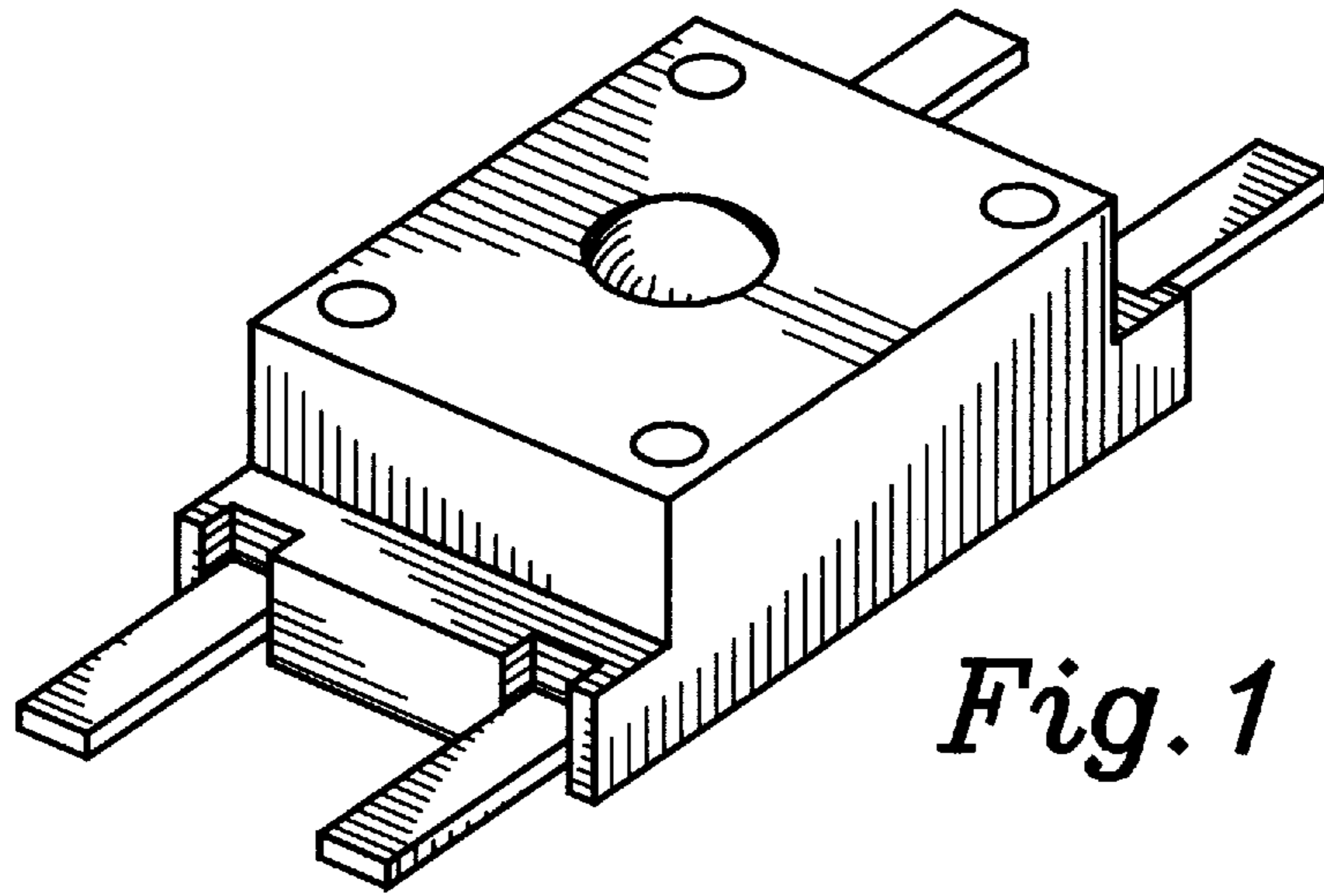
[56] **References Cited**

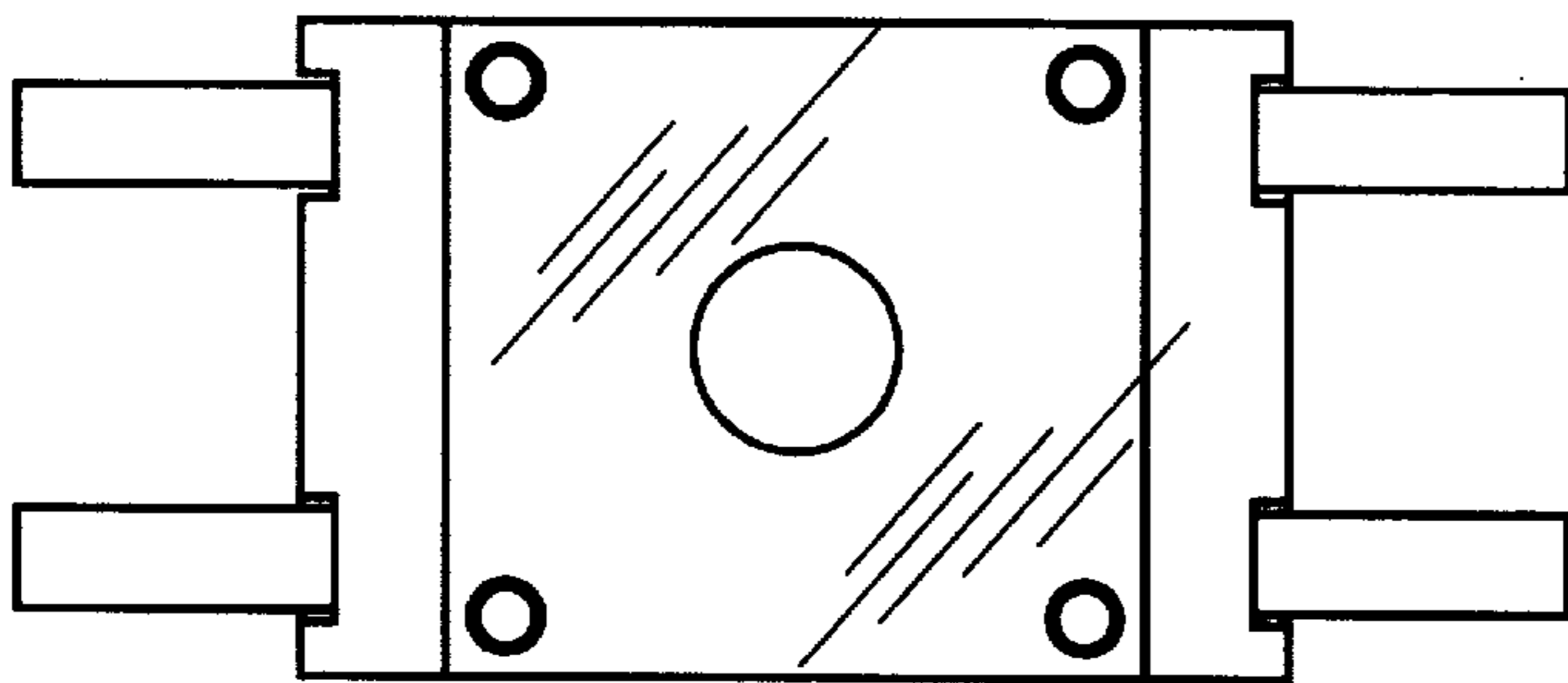
**U.S. PATENT DOCUMENTS**

D. 382,822 8/1997 Maurer ..... D10/83  
4,426,884 1/1984 Polchaninoff ..... 338/47 X

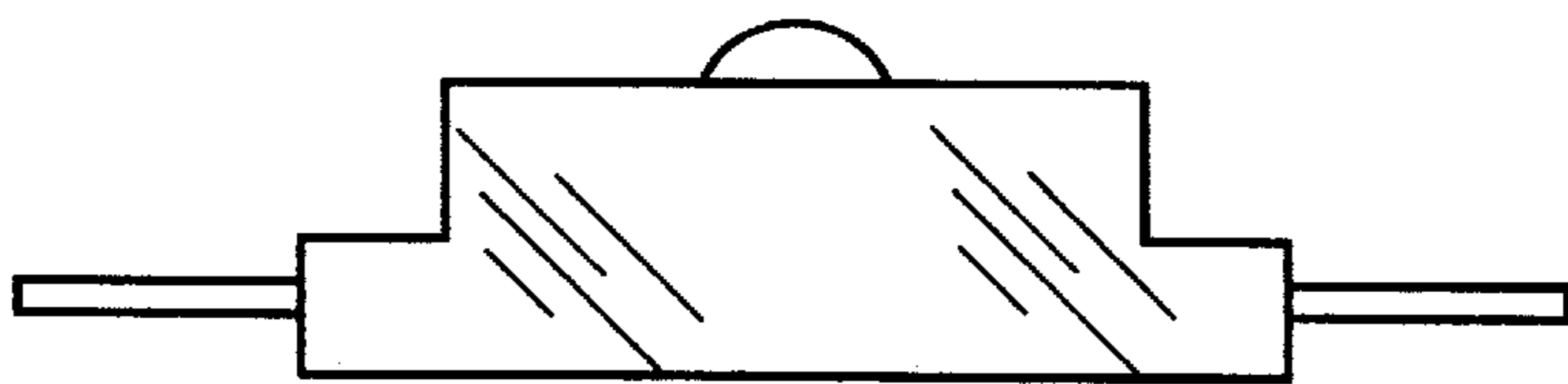
**1 Claim, 2 Drawing Sheets**



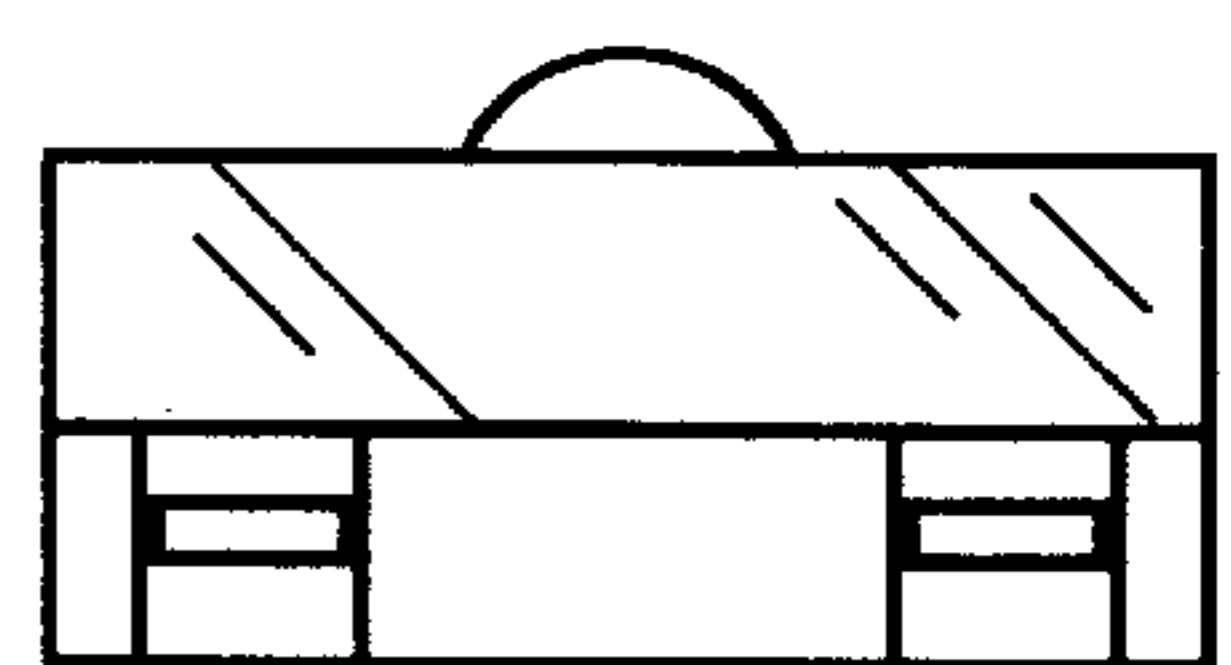




*Fig. 5*



*Fig. 6*



*Fig. 4*