



US00D400811S

**United States Patent** [19]  
**Swart et al.**

[11] **Patent Number: Des. 400,811**  
[45] **Date of Patent: \*\*Nov. 10, 1998**

[54] **TEST PROBE PLUNGER TIP**

[75] Inventors: **Mark A. Swart**, Anaheim Hills;  
**Charles J. Johnston**, Walnut; **Gordon A. Vinther**, Ontario, all of Calif.

[73] Assignee: **Delaware Capital Formation, Inc.**,  
Wilmington, Del.

[\*\*] Term: **14 Years**

[21] Appl. No.: **79,957**

[22] Filed: **Nov. 21, 1997**

[51] **LOC (6) Cl.** ..... **10-04**

[52] **U.S. Cl.** ..... **D10/80**

[58] **Field of Search** ..... D10/78, 80; 324/72.5,  
324/761, 758, 756, 755, 158 P; 439/482

[56] **References Cited**

**U.S. PATENT DOCUMENTS**

4,560,926 12/1985 Cornu et al. .... 324/761  
5,227,718 7/1993 Stowers et al. .... 324/761

*Primary Examiner*—Antoine Duval Davis  
*Attorney, Agent, or Firm*—Christie, Parker & Hale, LLP

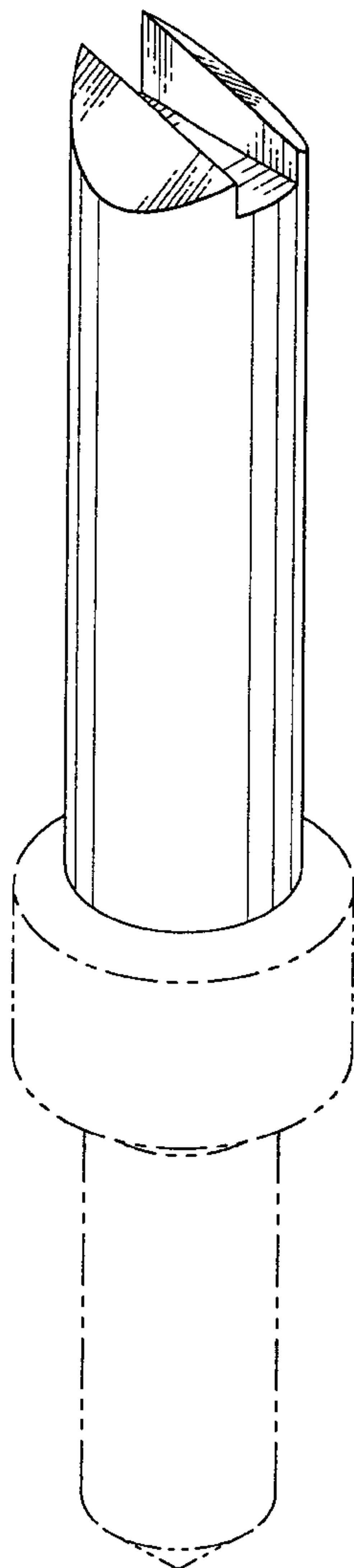
[57] **CLAIM**

The ornamental design for a test probe plunger tip, as shown and described.

**DESCRIPTION**

FIG. 1 is a perspective view of the test probe plunger tip showing the new design;  
FIG. 2 is a left side elevational view of the embodiment of FIG. 1;  
FIG. 3 is a front elevational view of the embodiment of FIG. 1;  
FIG. 4 is a right side elevational view of the embodiment of FIG. 1;  
FIG. 5 is a back elevational view of the embodiment of FIG. 1;  
FIG. 6 is a bottom elevational view of the embodiment of FIG. 1; and,  
FIG. 7 is a top elevational view of the embodiment of FIG. 1.

**1 Claim, 2 Drawing Sheets**



*FIG. 1*

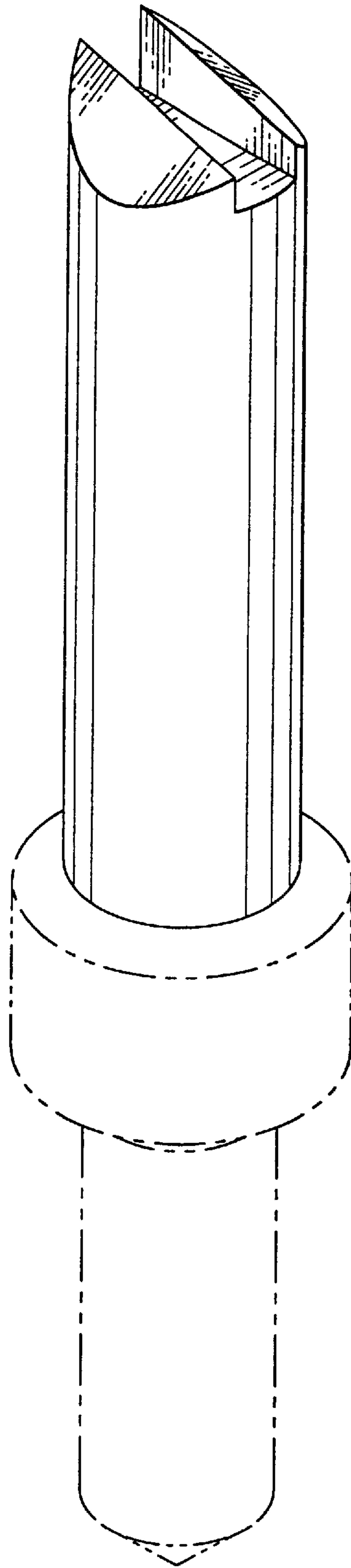


FIG. 6

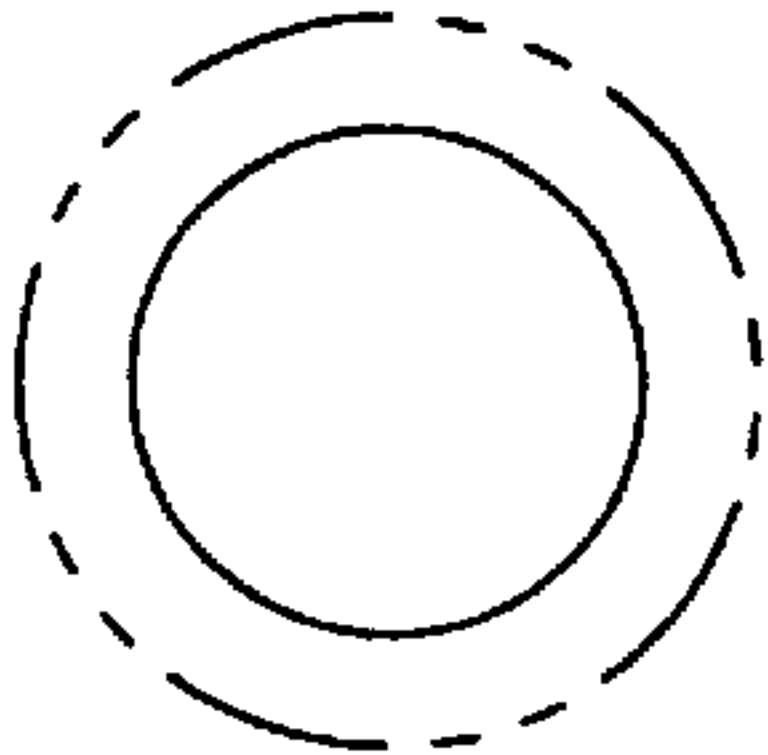


FIG. 2

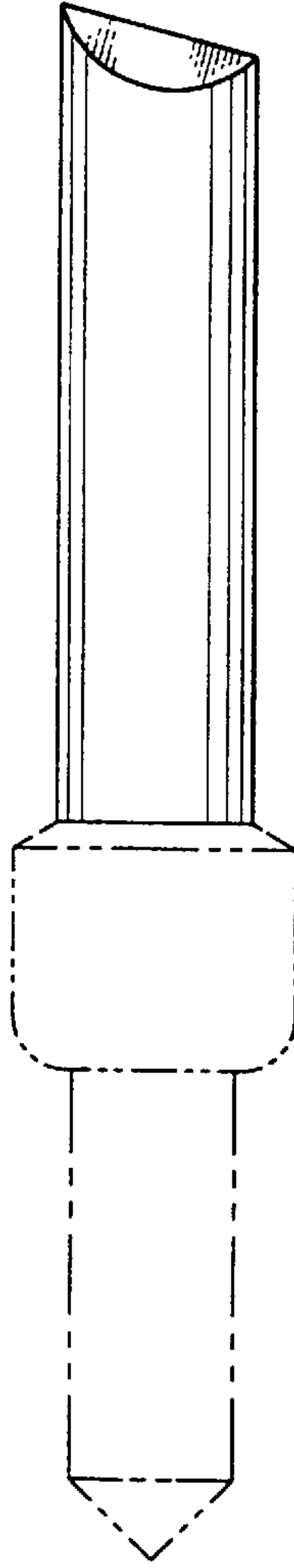


FIG. 7

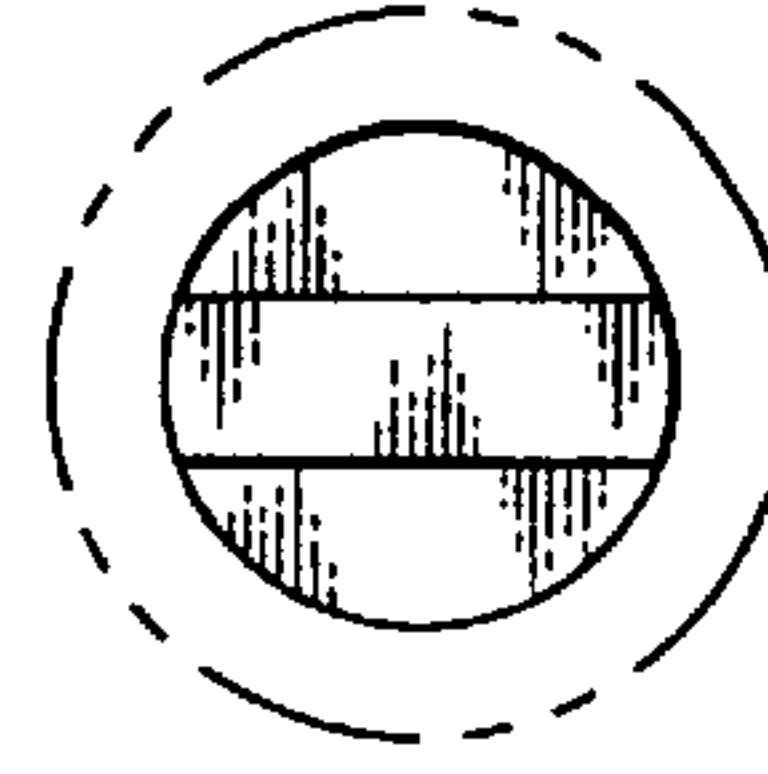


FIG. 3

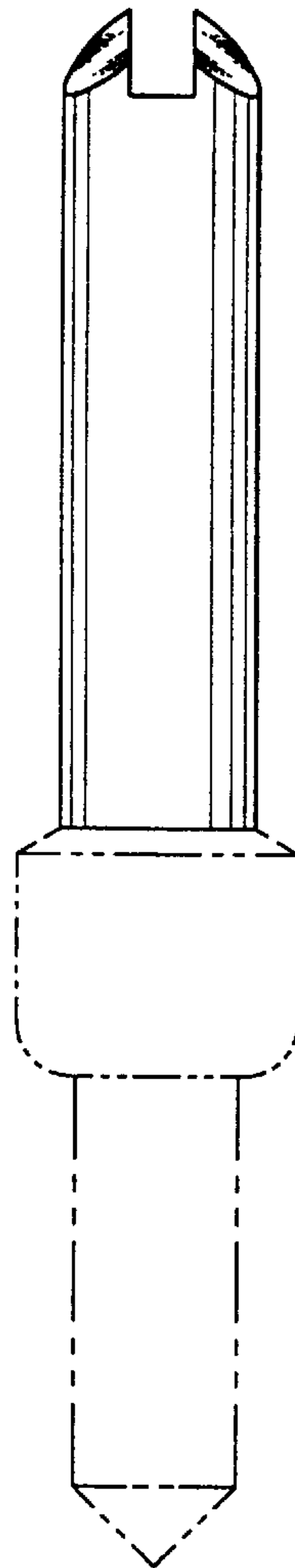


FIG. 4

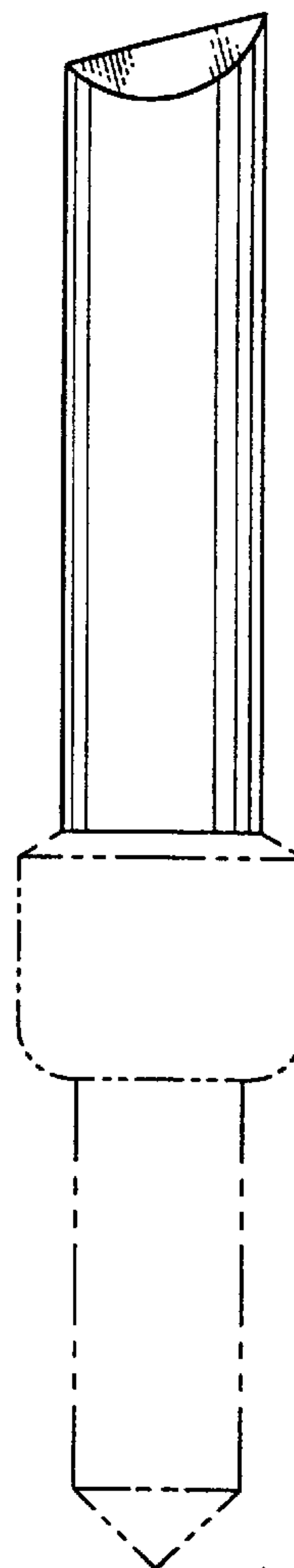


FIG. 5

