



US00D400810S

United States Patent [19]
Landauer

[11] **Patent Number: Des. 400,810**

[45] **Date of Patent: **Nov. 10, 1998**

[54] **INFANTOMETER FOR MEASURING HEIGHT OF AN INFANT**

[75] Inventor: **Konrad S. Landauer**, Chicago, Ill.

[73] Assignee: **The Clover Global Group**, Chicago, Ill.

[**] Term: **14 Years**

[21] Appl. No.: **78,199**

[22] Filed: **Oct. 22, 1997**

[51] **LOC (6) Cl.** **10-04**

[52] **U.S. Cl.** **D10/70**

[58] **Field of Search** D10/70; 33/483-494, 33/783, 806, 809, 511, 512

[56] **References Cited**

U.S. PATENT DOCUMENTS

3,197,875 8/1965 D'azzo 33/512
4,939,849 7/1990 Johnson 33/512 X

Primary Examiner—Antoine Duval Davis
Attorney, Agent, or Firm—Milton S. Gerstein

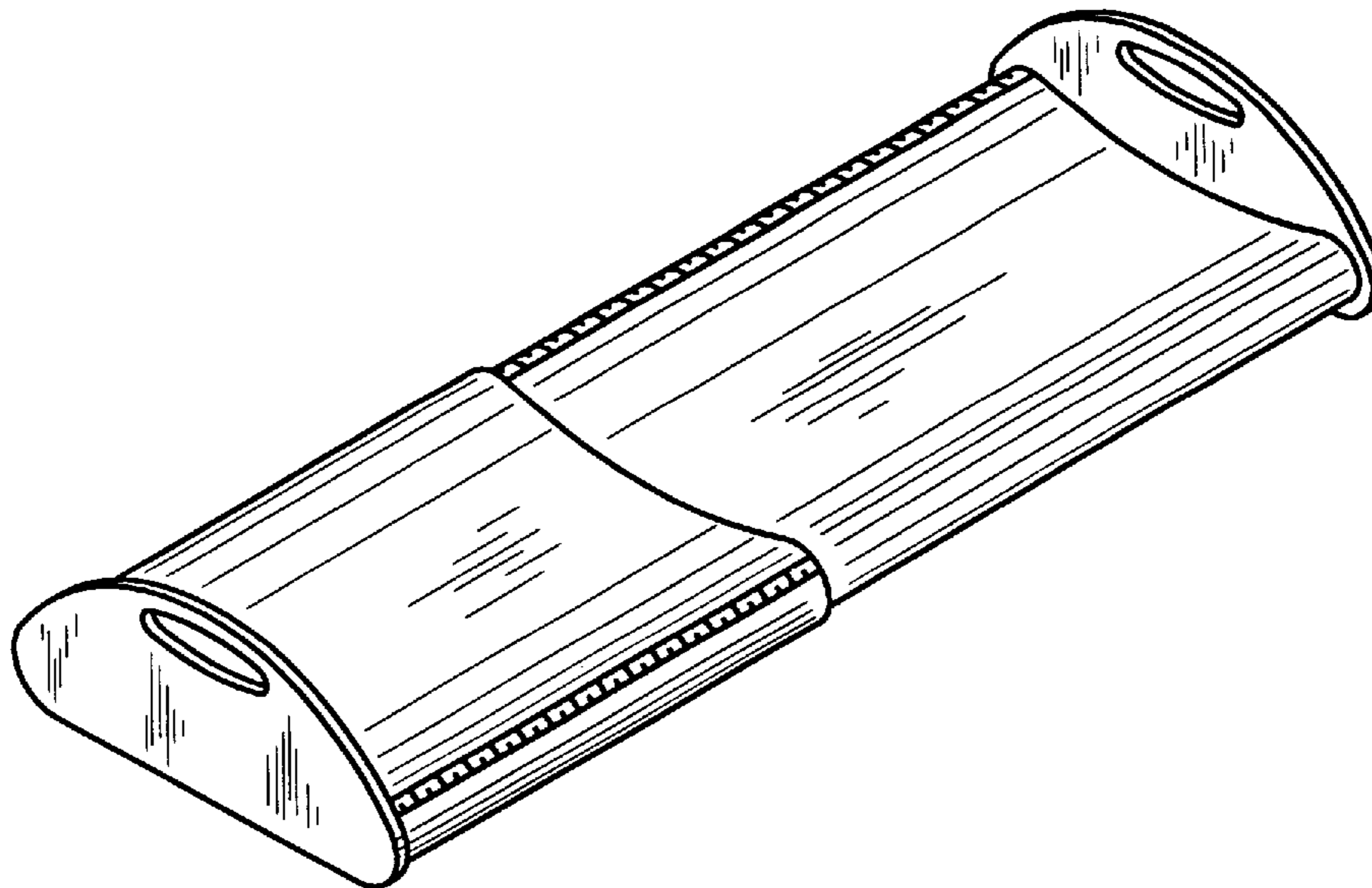
[57] **CLAIM**

The ornamental design for an infantometer for measuring height of an infant, as shown and described.

DESCRIPTION

FIG. 1 is an isometric view of the infantometer for measuring the height of an infant showing my new design, in its fully-extended position;
FIG. 2 is an isometric view of the infantometer for measuring the height of an infant showing my new design, in a partially-extended position;
FIG. 3 is a bottom view thereof;
FIG. 4 is a top view thereof;
FIG. 5 is an end view thereof, the other end view being the same;
FIG. 6 is a first side view thereof;
FIG. 7 is a second side view thereof; and,
FIG. 8 is an isometric view showing of a modification of the infantometer for measuring the height of an infant of FIG. 1, where instead of two telescoping parts, one handle is movable and one is fixed, with the measuring ruler being located completely on one lateral edge.

1 Claim, 3 Drawing Sheets



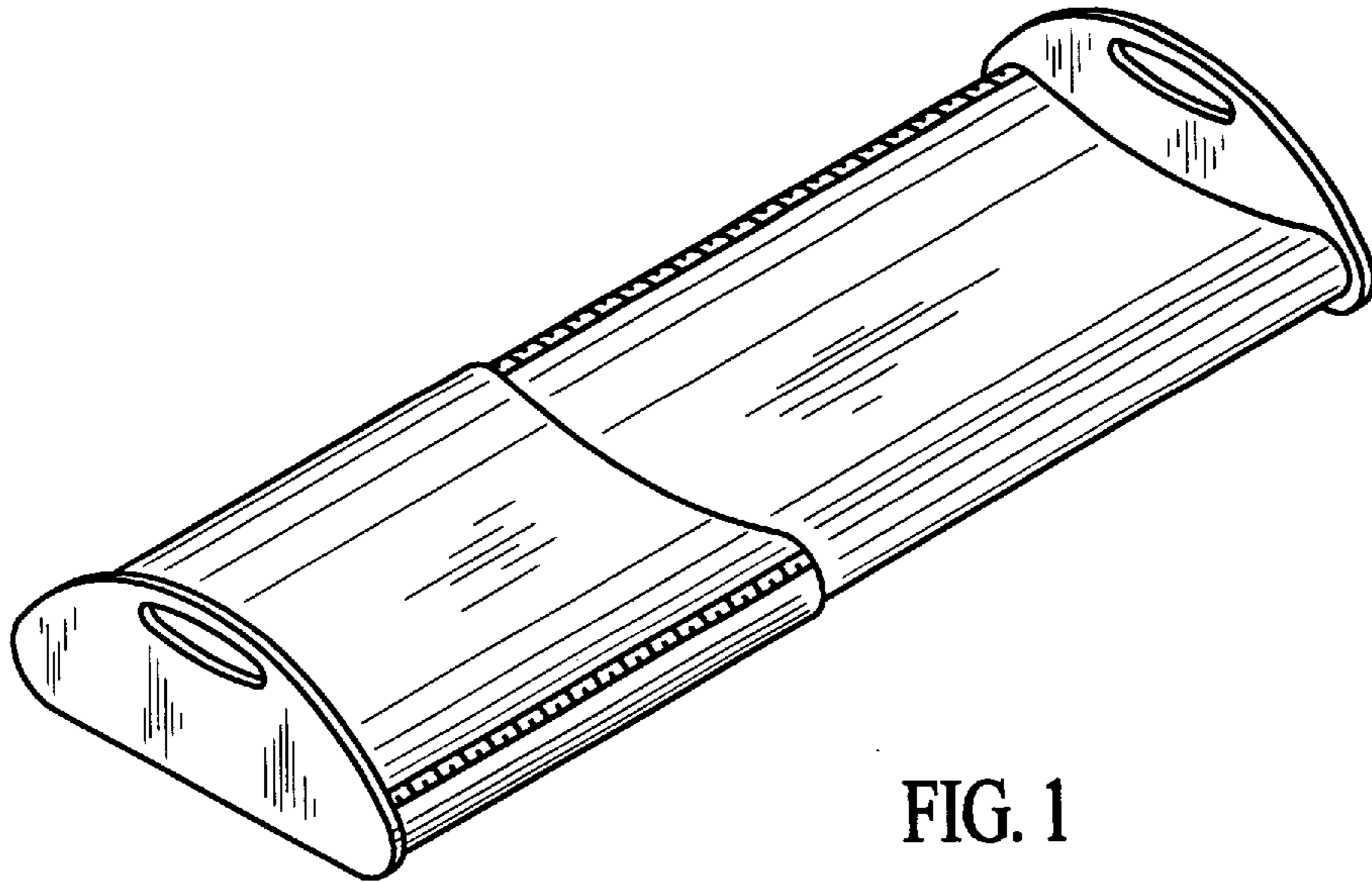


FIG. 1

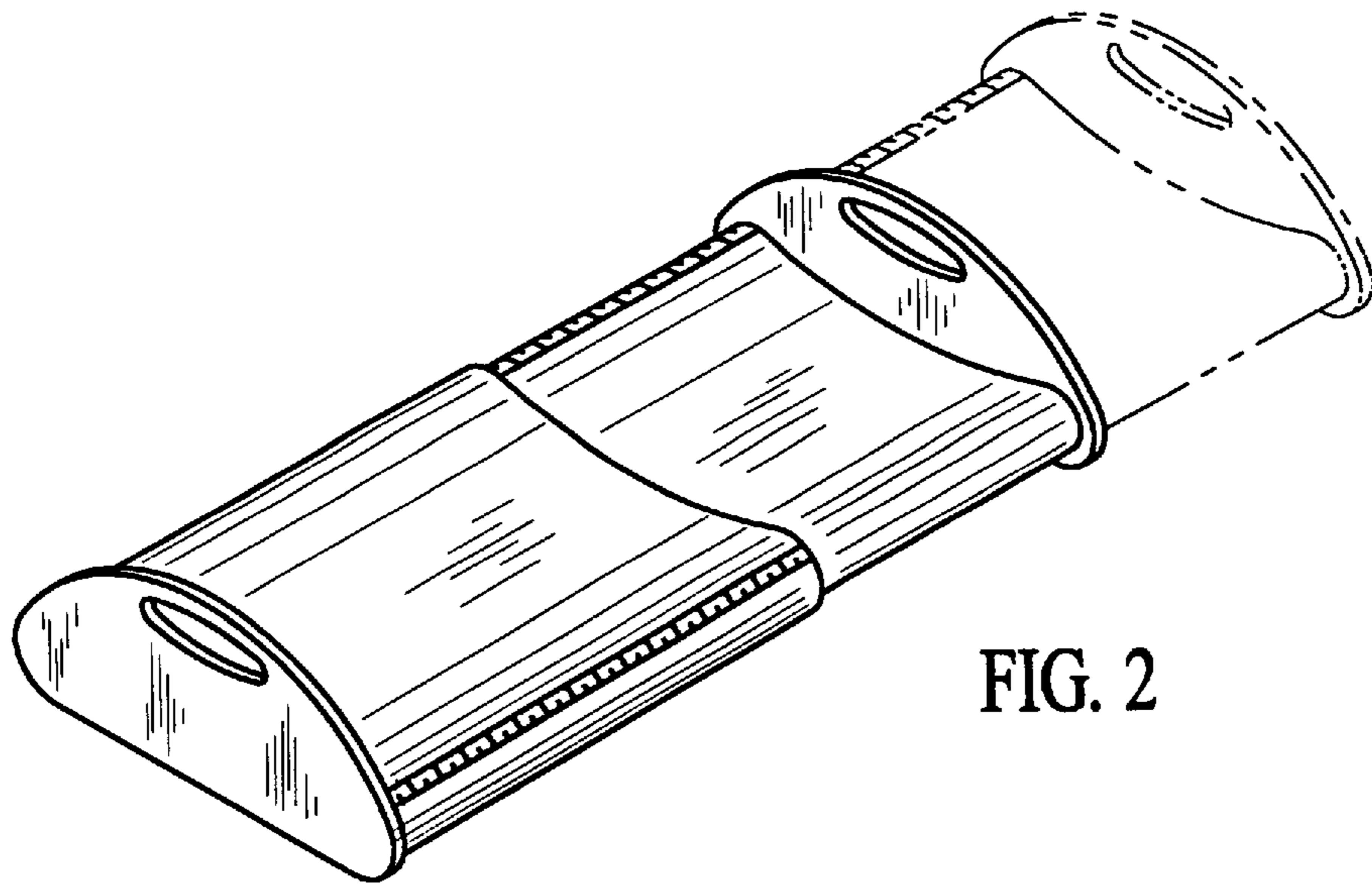


FIG. 2

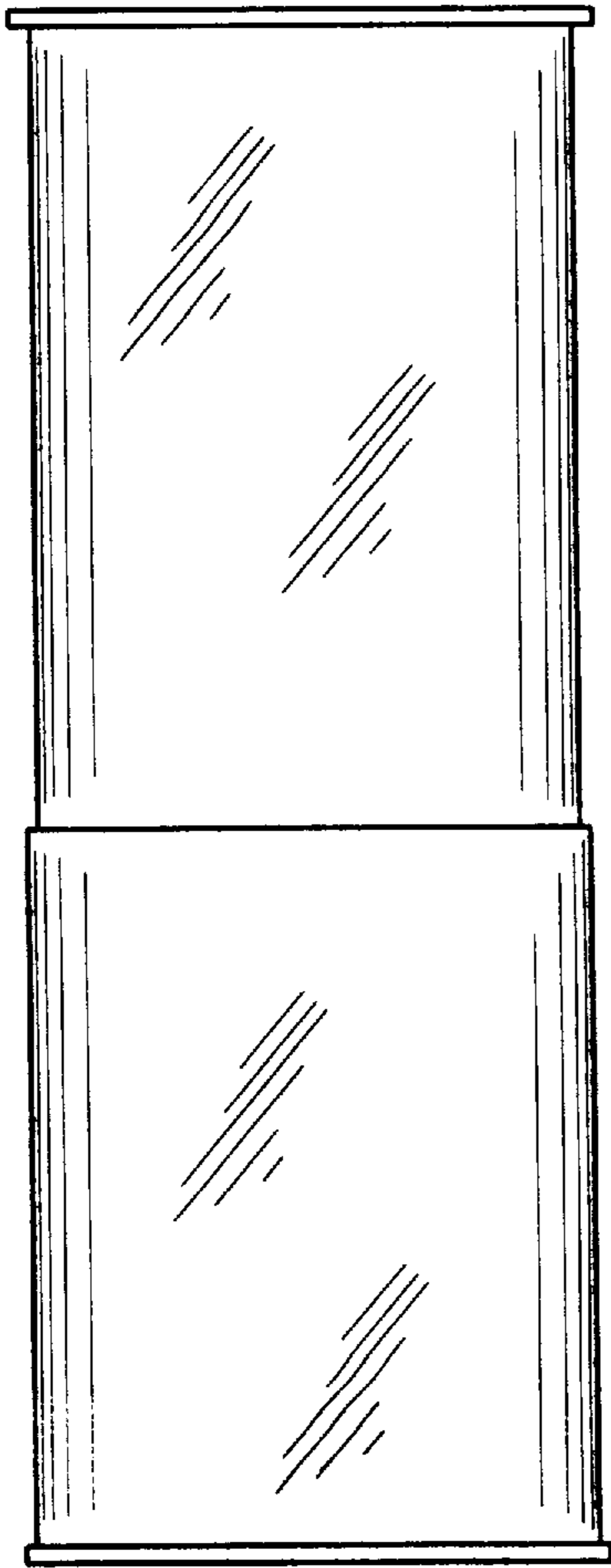


FIG. 3

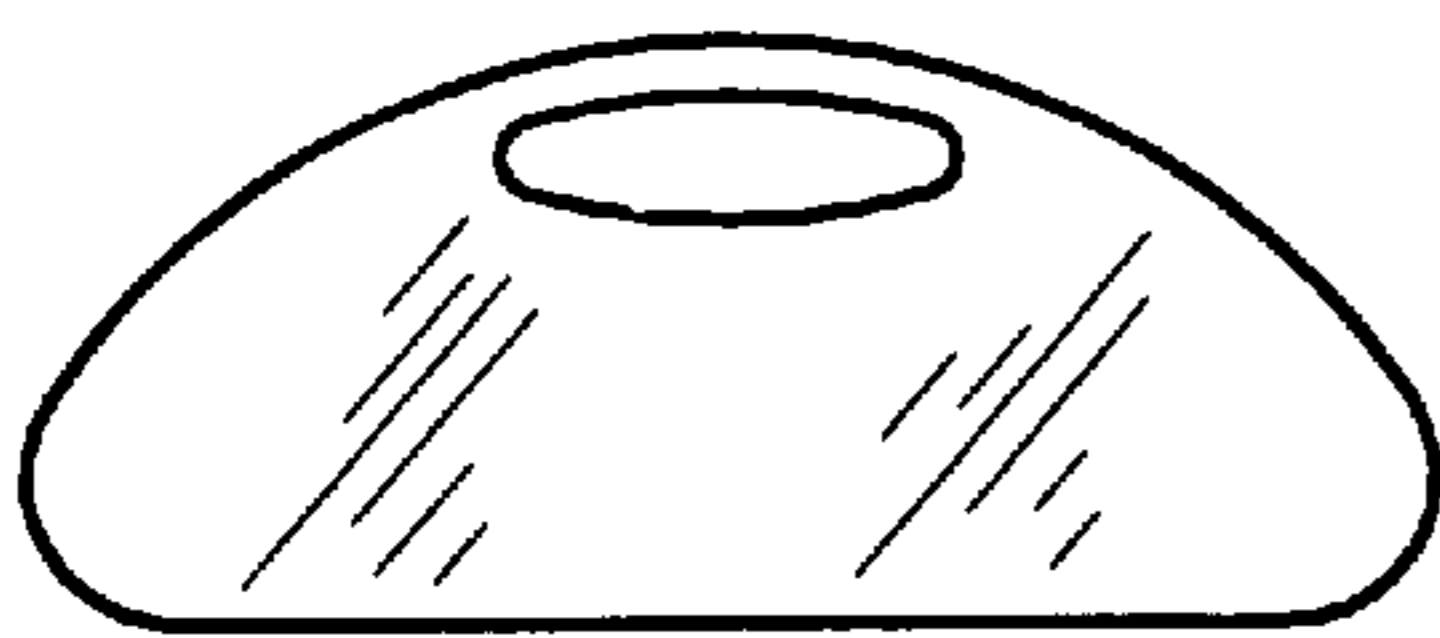
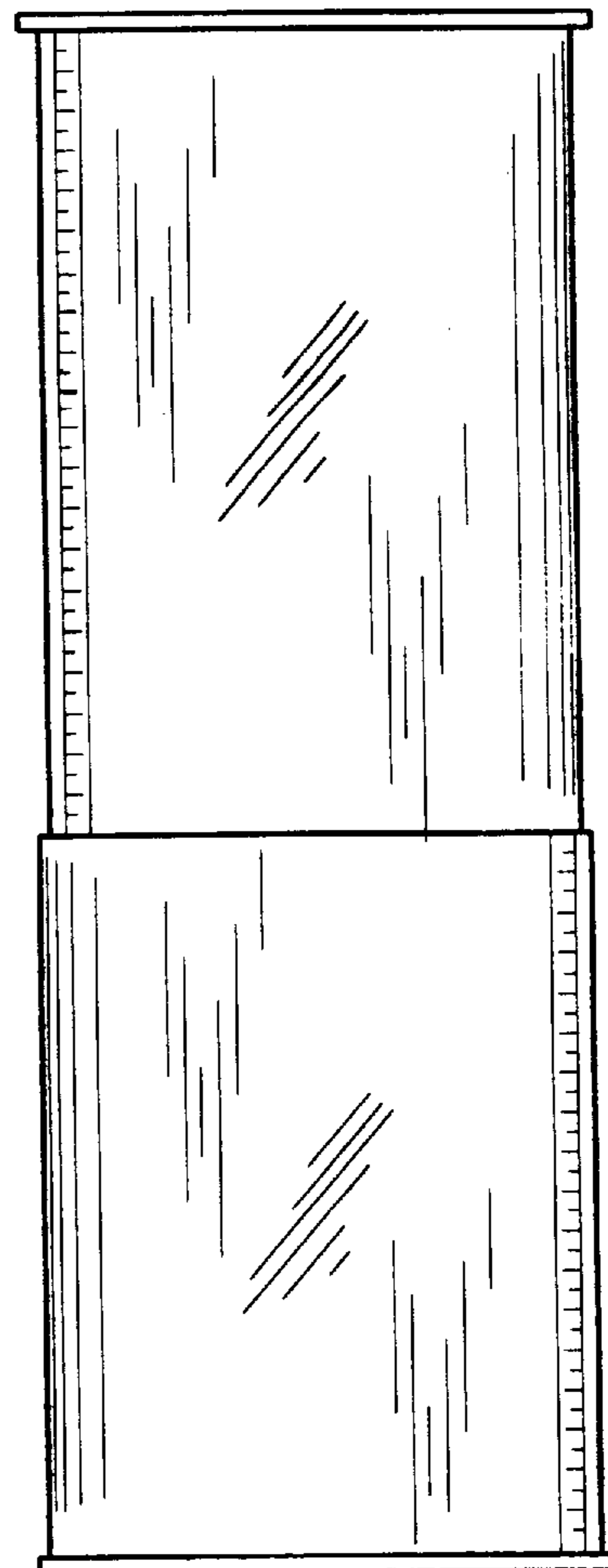


FIG. 5

FIG. 4



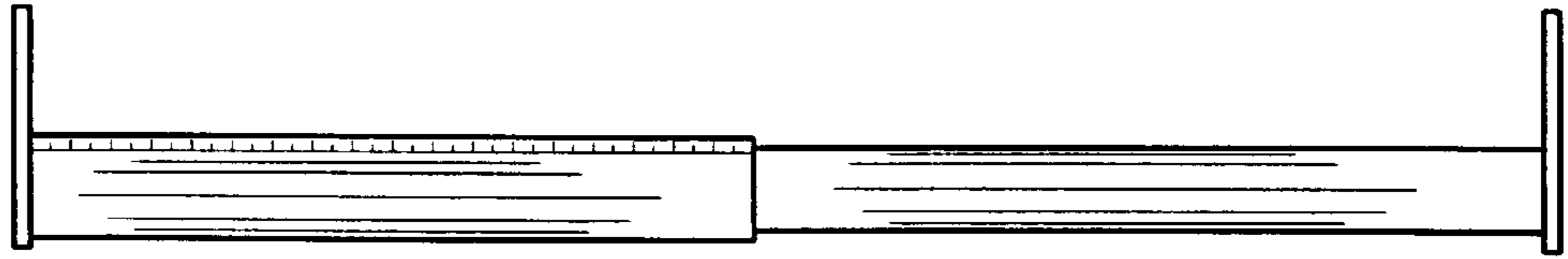


FIG. 6

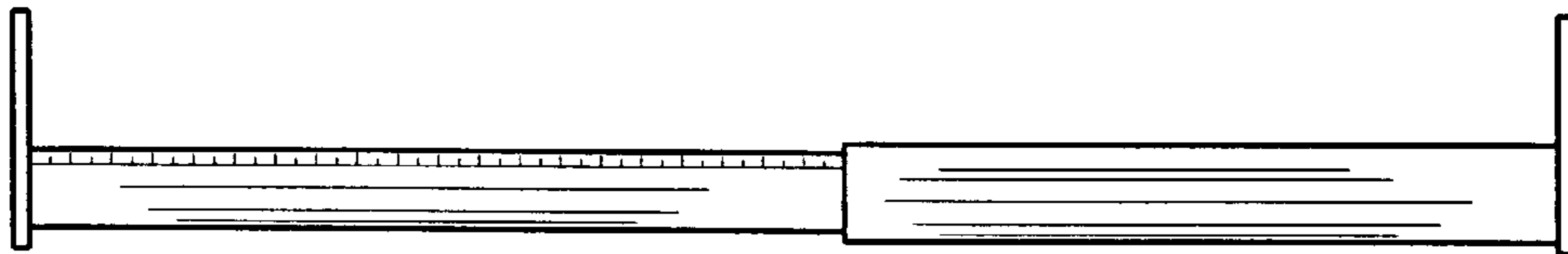


FIG. 7

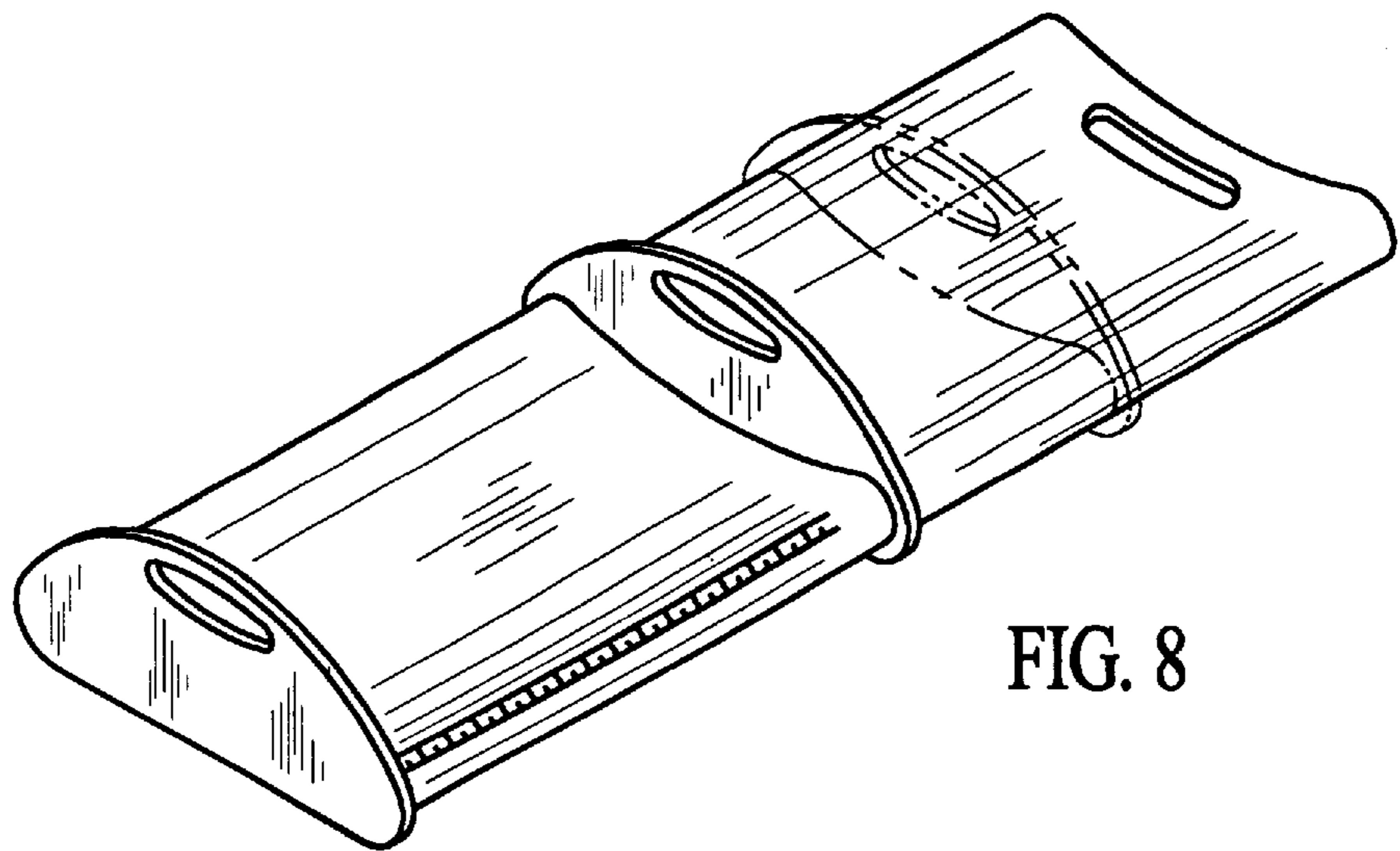


FIG. 8