



US00D400809S

United States Patent [19]
Prouteau

[11] **Patent Number: Des. 400,809**

[45] **Date of Patent: **Nov. 10, 1998**

[54] **LEVEL**

[75] **Inventor: Bernard Prouteau, Montferrand Le Chateau, France**

[73] **Assignee: The Stanley Works, New Britain, Conn.**

[**] **Term: 14 Years**

[21] **Appl. No.: 57,548**

[22] **Filed: Jul. 26, 1996**

[30] **Foreign Application Priority Data**

Jan. 26, 1996 [FR] France 96 0518

[51] **LOC (6) Cl. 10-04**

[52] **U.S. Cl. D10/69**

[58] **Field of Search D10/69; 33/379-390**

[56] **References Cited**

U.S. PATENT DOCUMENTS

D. 186,284 10/1959 Hoeh D10/69

D. 368,666 4/1996 Fonte D10/69
1,224,165 5/1917 Hansen 33/387 X
1,922,997 8/1933 Widner 33/380
2,308,018 1/1943 Misz 33/387
3,545,091 12/1970 Sebastiani 33/382 X

Primary Examiner—Antoine Duval Davis
Attorney, Agent, or Firm—Kane,Dalsimer,Sullivan,Kurucz,
Levy, Eisele and Richard, LLP

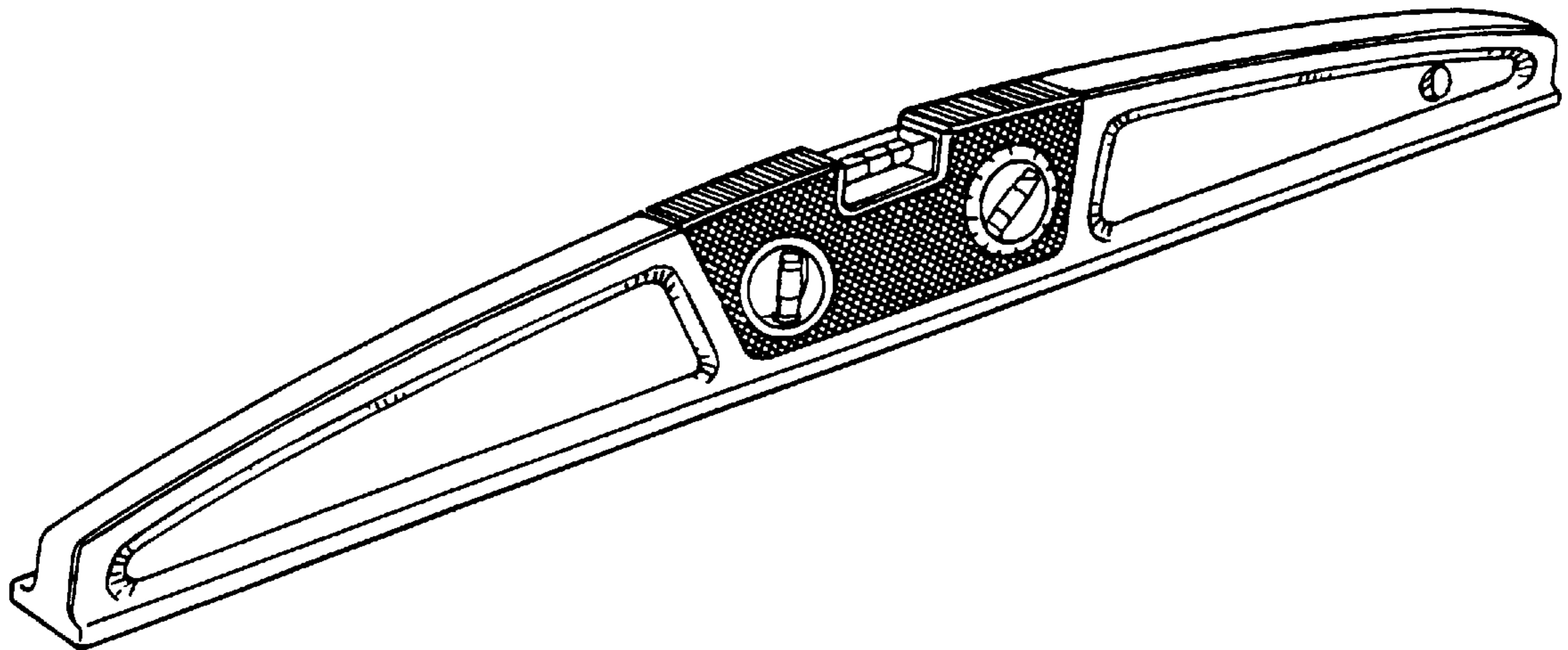
[57] **CLAIM**

The ornamental design for a level, as shown and described.

DESCRIPTION

FIG. 1 is a perspective view of a level showing my ornamental design;
FIG. 2 is a side elevational view thereof (the other side being identical with the side shown);
FIG. 3 is a top plan view thereof;
FIG. 4 is an end elevational view thereof (the other end being identical with the end shown); and,
FIG. 5 is a bottom view thereof.

1 Claim, 2 Drawing Sheets



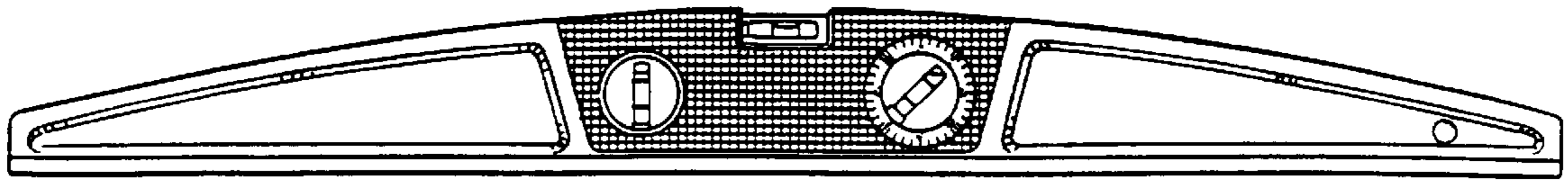


FIG. 2

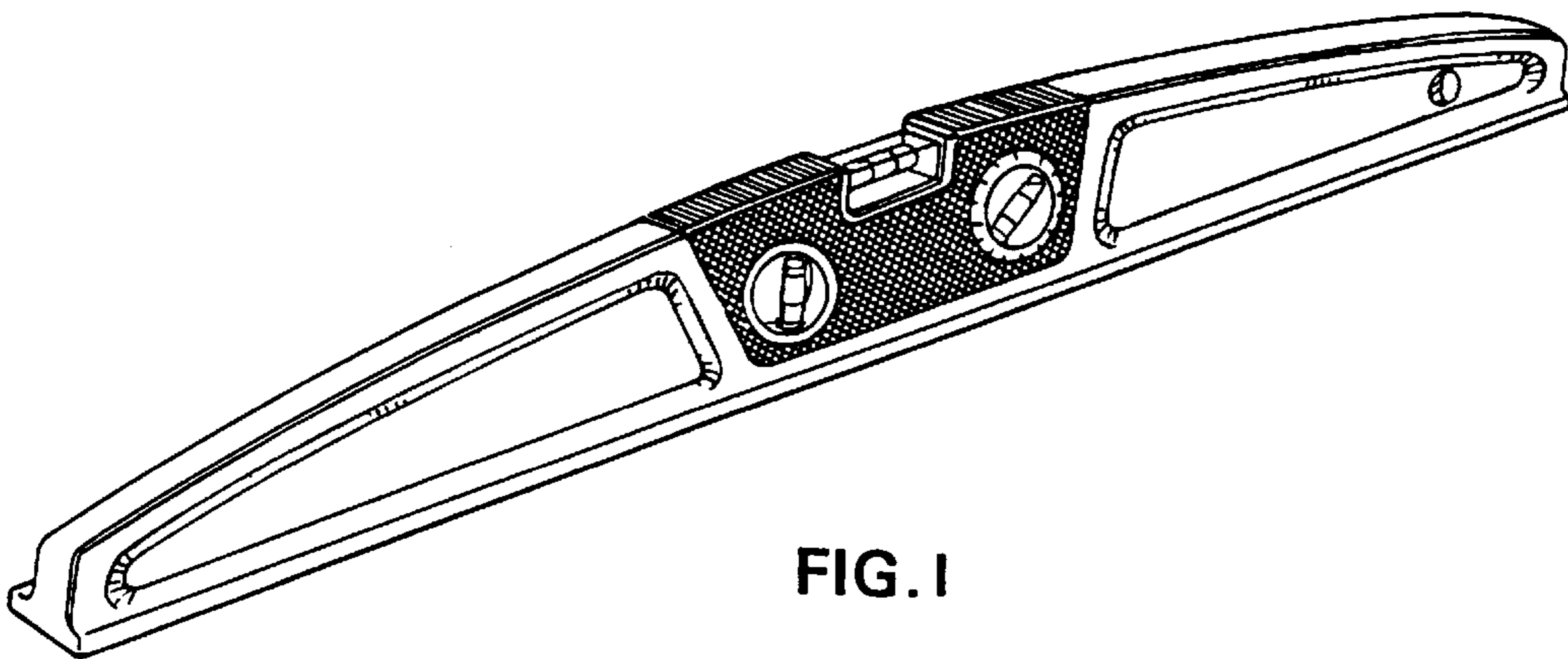


FIG. 1

FIG. 3



FIG. 4

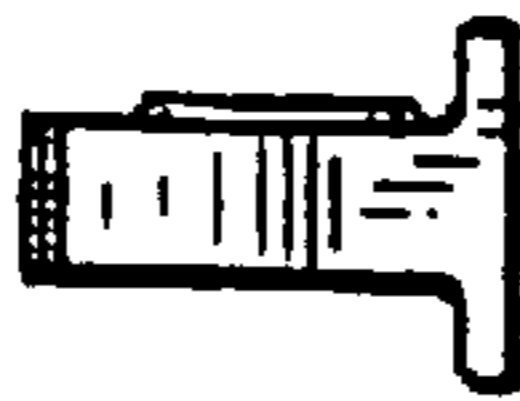


FIG. 5

