



US00D400803S

# United States Patent [19]

Kennedy et al.

[11] **Patent Number: Des. 400,803**

[45] **Date of Patent: \*\*Nov. 10, 1998**

[54] **BEZEL AND CASING FOR A WATCH**

[75] Inventors: **Amelia Kennedy**, Woodbury, Conn.;  
**Lani Encena Cobarrubias**, Lapu-Lapu,  
Philippines; **John T. Houlihan**,  
Southbury, Conn.

[73] Assignee: **Timex Corporation**, Middlebury, Conn.

[\*\*] Term: **14 Years**

[21] Appl. No.: **73,835**

[22] Filed: **Jun. 30, 1997**

[51] **LOC (6) Cl.** ..... **10-02**

[52] **U.S. Cl.** ..... **D10/30; D10/38**

[58] **Field of Search** ..... D10/1-40, 122-132;  
368/280-282, 276-277, 28-30, 285, 239-243,  
82-84, 41-44

[56] **References Cited**

**U.S. PATENT DOCUMENTS**

- D. 384,293 9/1997 Woo ..... D10/30
- D. 386,976 12/1997 Campilen ..... D10/30

**OTHER PUBLICATIONS**

Hong Kong Oct. 1981, p. 113—Watches at Left—Watches, 1981.

*Jeweler's—Circular—Keystone*—May 1971, p. 30—Watch at Right, 1971.

*Primary Examiner*—Nelson C. Holtje  
*Attorney, Agent, or Firm*—Arthur G. Schaier

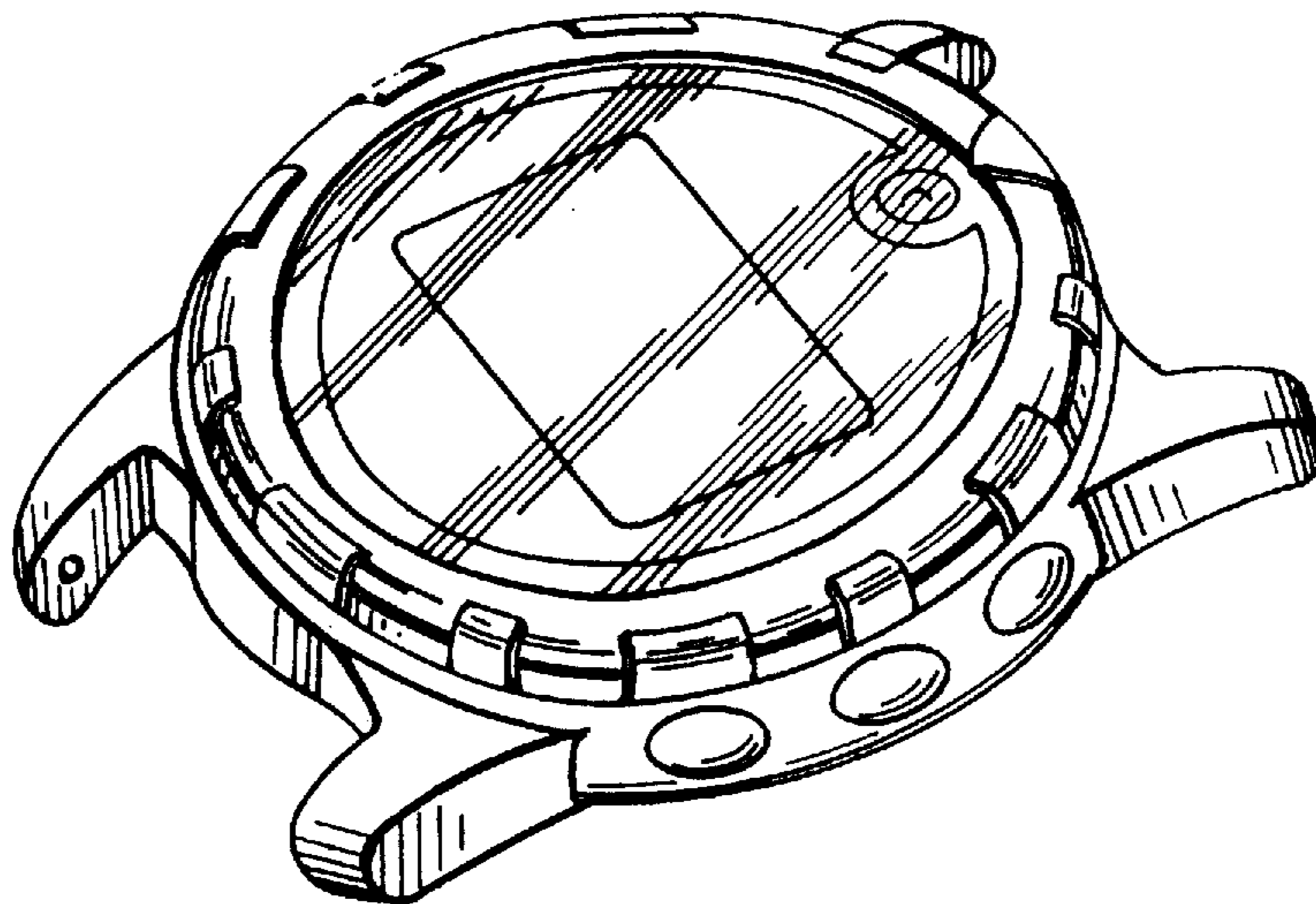
[57] **CLAIM**

The ornamental design for a “bezel and casing for a watch”, as shown and described.

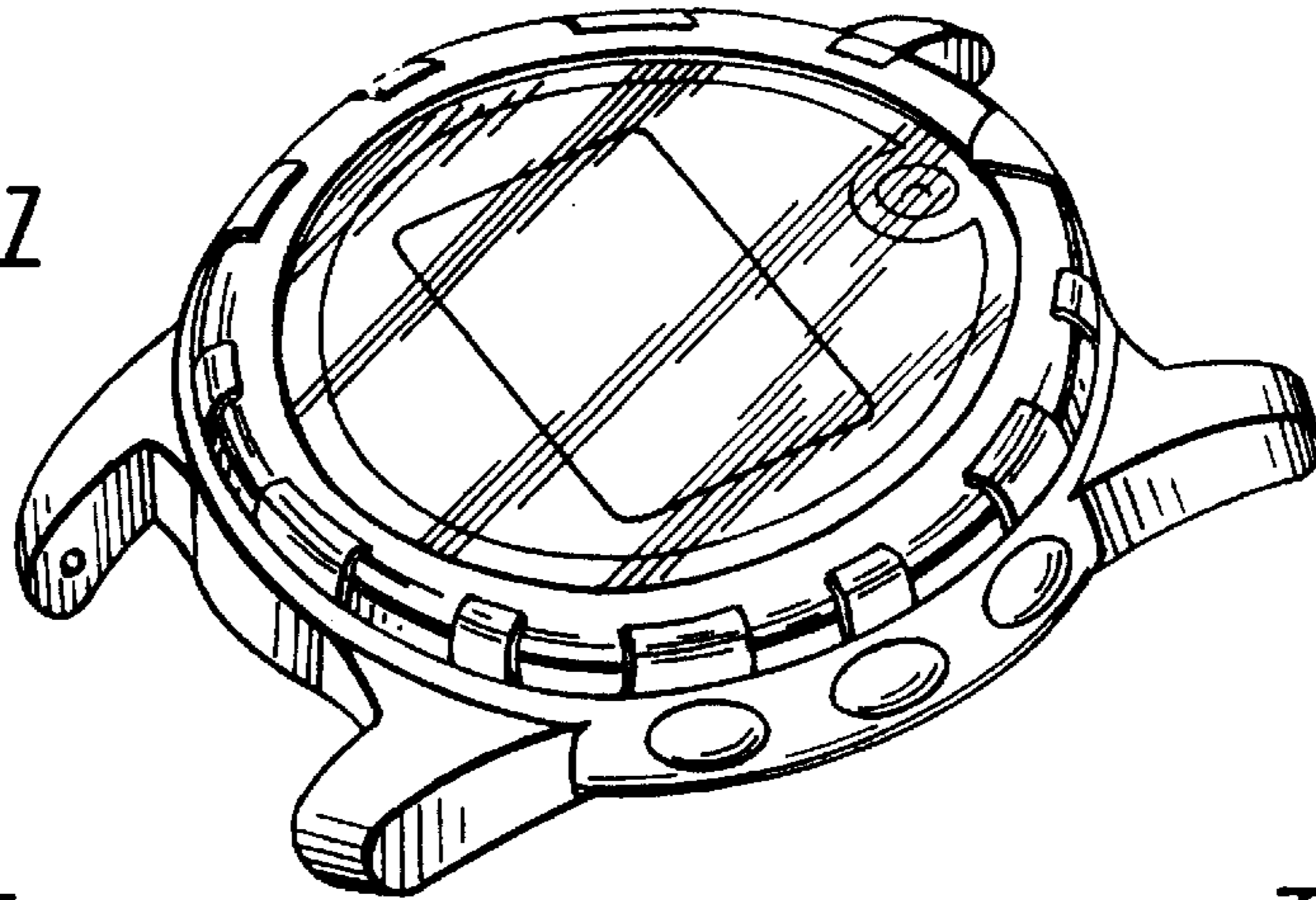
**DESCRIPTION**

FIG. 1 is a perspective elevational view of a “bezel and casing for a watch”;  
FIG. 2 is a top plan view thereof;  
FIG. 3 is a left side elevational view thereof;  
FIG. 4 is a right side elevational view thereof;  
FIG. 5 is an end elevational view thereof; the other end being a mirror image is not shown; and,  
FIG. 6 is a bottom plan view thereof.

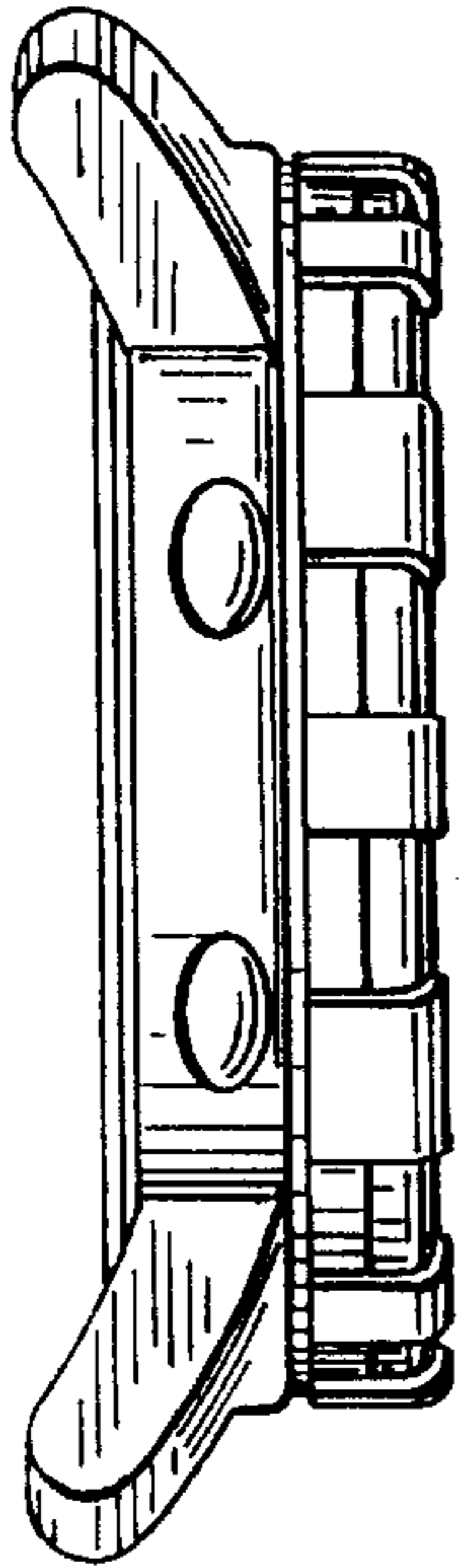
**1 Claim, 1 Drawing Sheet**



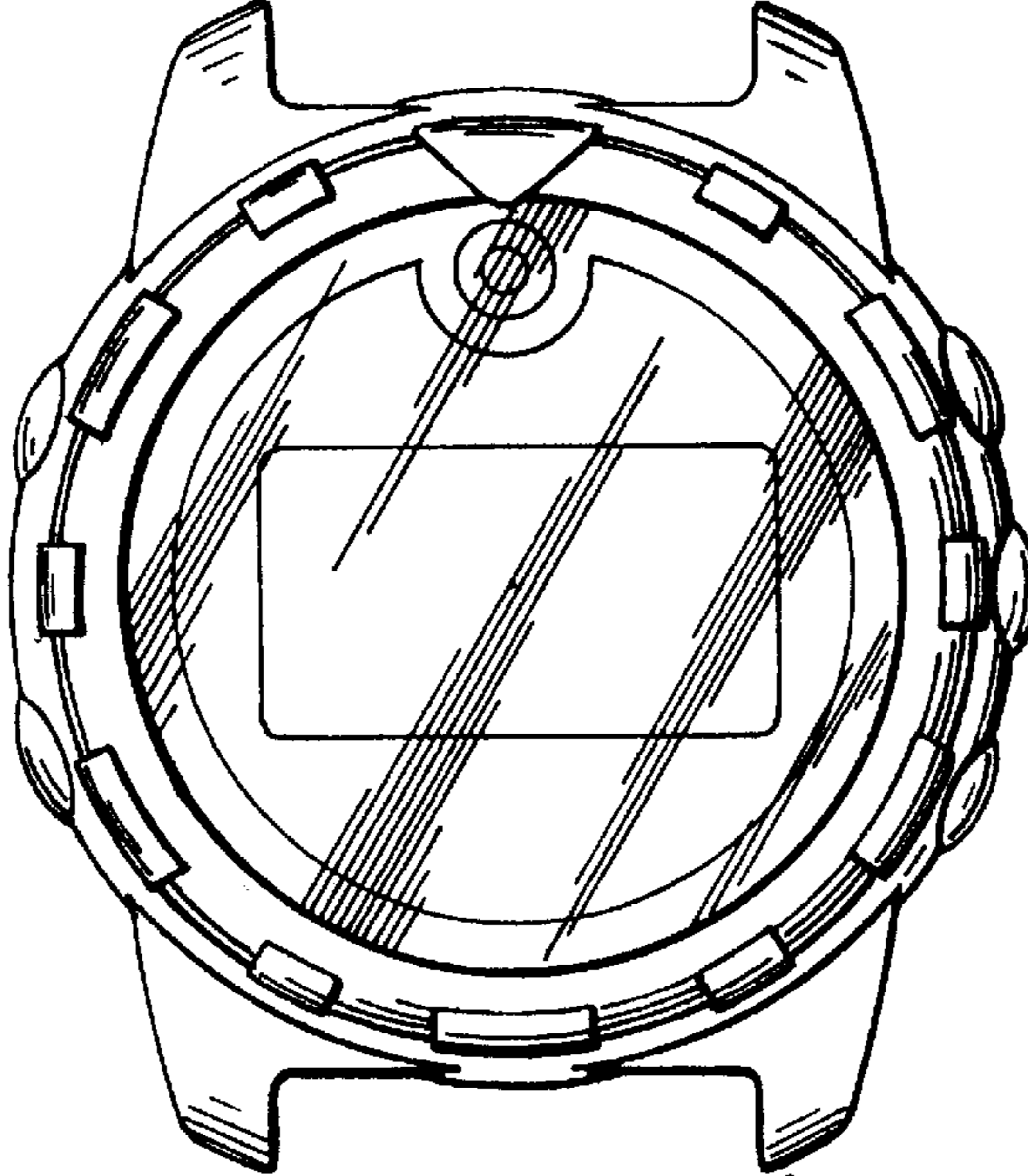
*Fig.1*



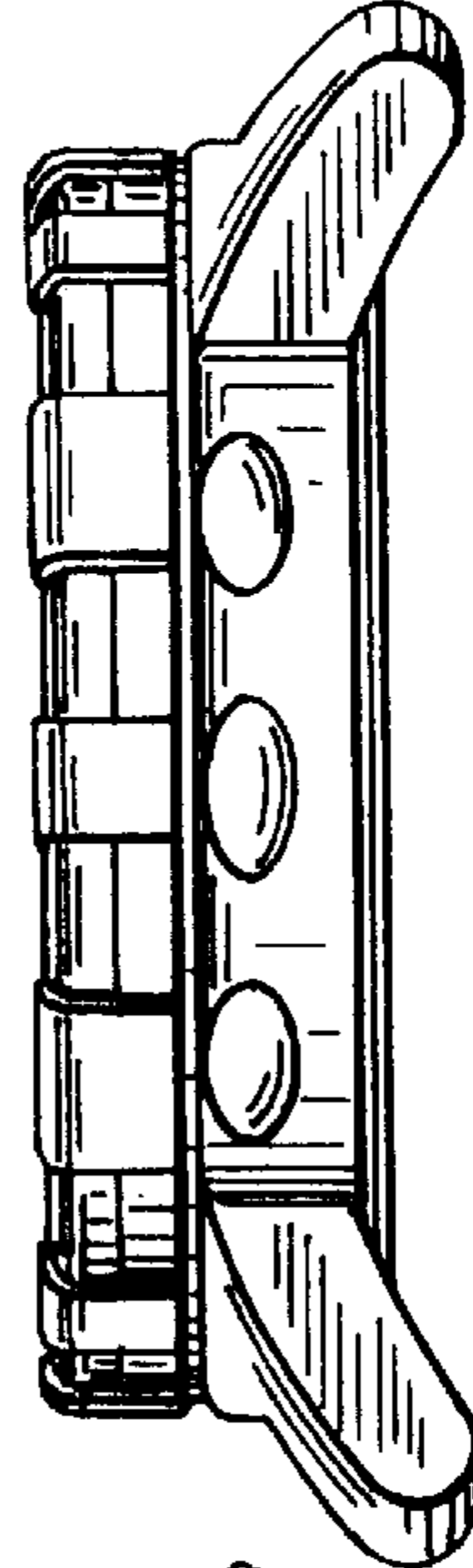
*Fig.3*



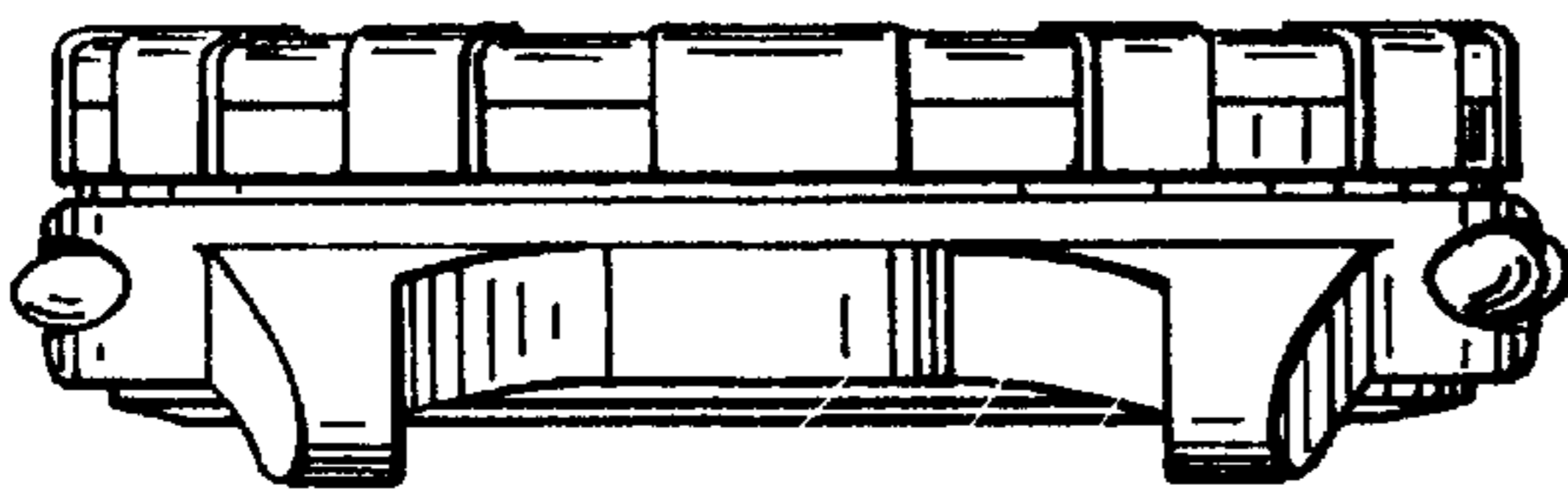
*Fig.2*



*Fig.4*



*Fig.5*



*Fig.6*

