



US00D400802S

United States Patent [19] Galli

[11] **Patent Number: Des. 400,802**

[45] **Date of Patent: **Nov. 10, 1998**

[54] **WATCH CASE**

[75] **Inventor: Giorgio Galli, Milan, Italy**

[73] **Assignee: Benetton Group S.P.A.,
Ponzano-Veneto, Italy**

[**] **Term: 14 Years**

[21] **Appl. No.: 60,650**

[22] **Filed: Oct. 3, 1996**

[30] Foreign Application Priority Data

Apr. 5, 1996 [IT] Italy MI96O000213

[51] **LOC (6) Cl. 10-02**

[52] **U.S. Cl. D10/30; D10/39**

[58] **Field of Search D10/1-40, 122-132;
368/276-277, 285, 316-317**

[56] References Cited

U.S. PATENT DOCUMENTS

D. 251,055 2/1979 Sulek D10/38

D. 303,770	10/1989	Woomer	D10/39
D. 376,544	12/1996	Egbert	D10/31
D. 385,806	11/1997	DeFaux	D10/39
1,680,281	8/1928	Bowen	.	
4,932,010	6/1990	Perucchi	368/223 X
5,493,544	2/1996	Marthe	368/281

Primary Examiner—Nelson C. Holtje
Attorney, Agent, or Firm—Herbert Dubno

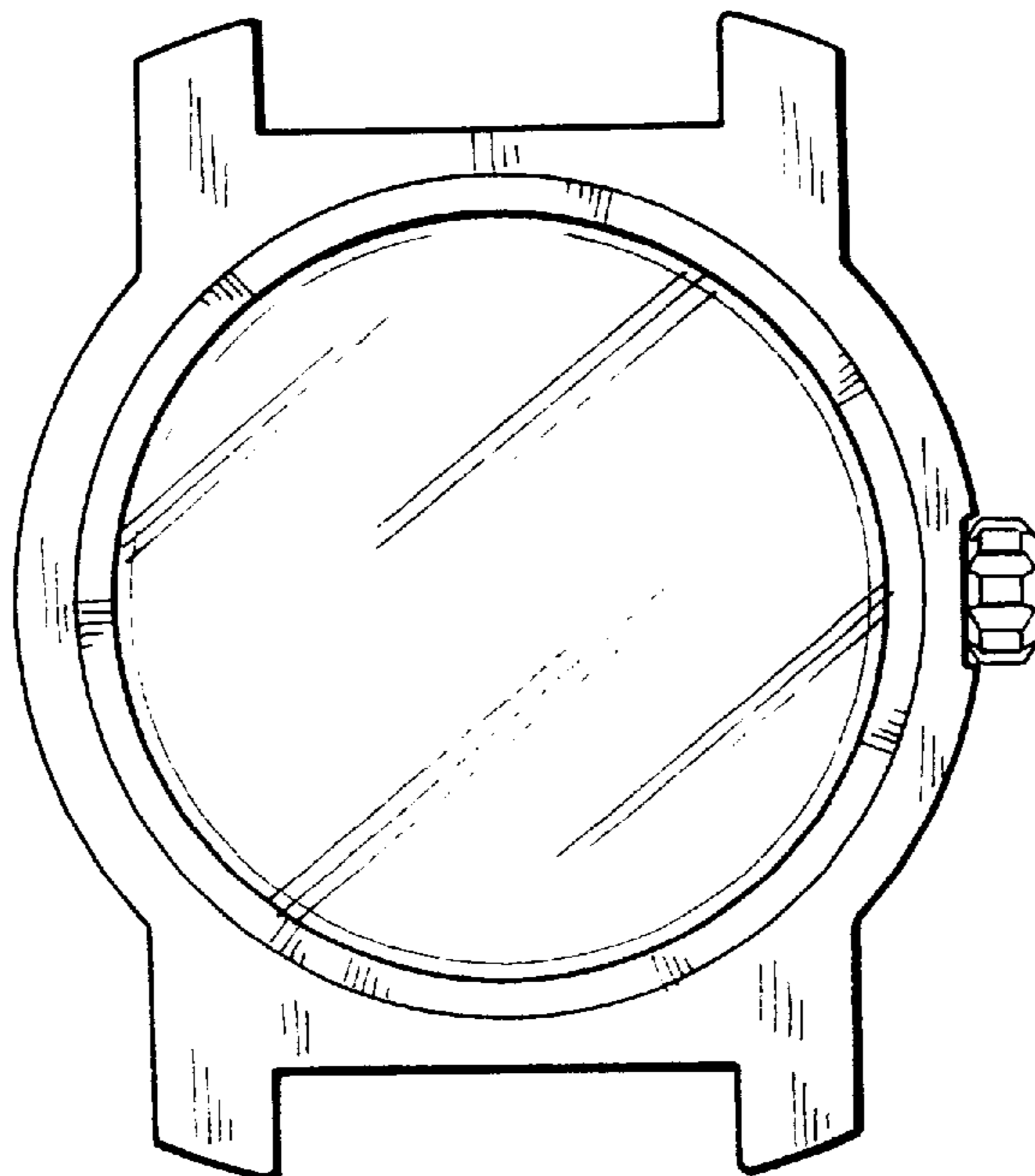
[57] CLAIM

The ornamental design for a watch case, as shown.

DESCRIPTION

FIG. 1 is a front, right-side perspective view of a watch case showing my new design;
FIG. 2 is a front elevational view thereof;
FIG. 3 is a rear elevational view thereof;
FIG. 4 is a right side elevational view thereof;
FIG. 5 is a left side elevational view thereof;
FIG. 6 is a top view thereof; and,
FIG. 7 is a bottom view thereof.

1 Claim, 2 Drawing Sheets



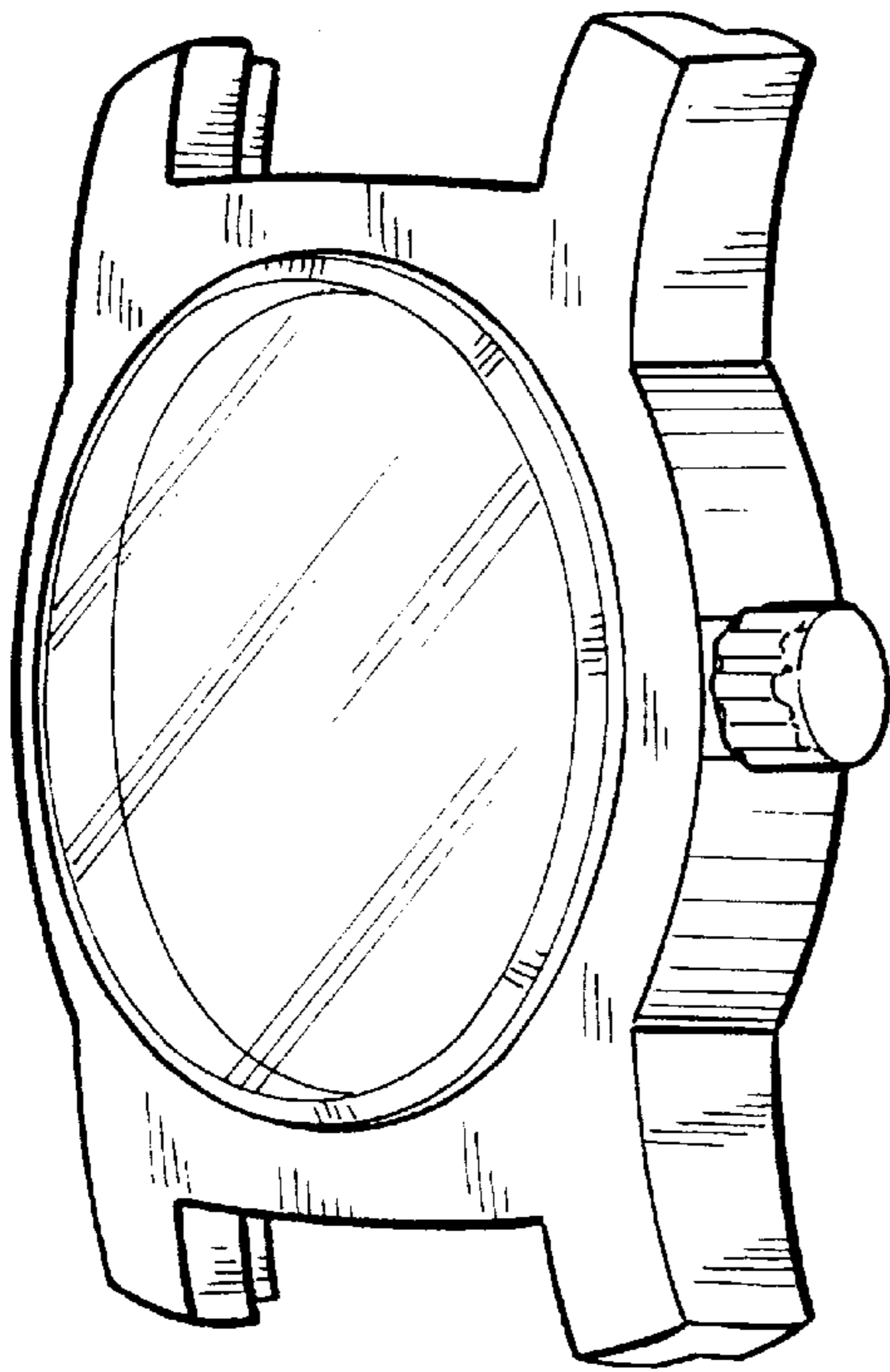


FIG. 1

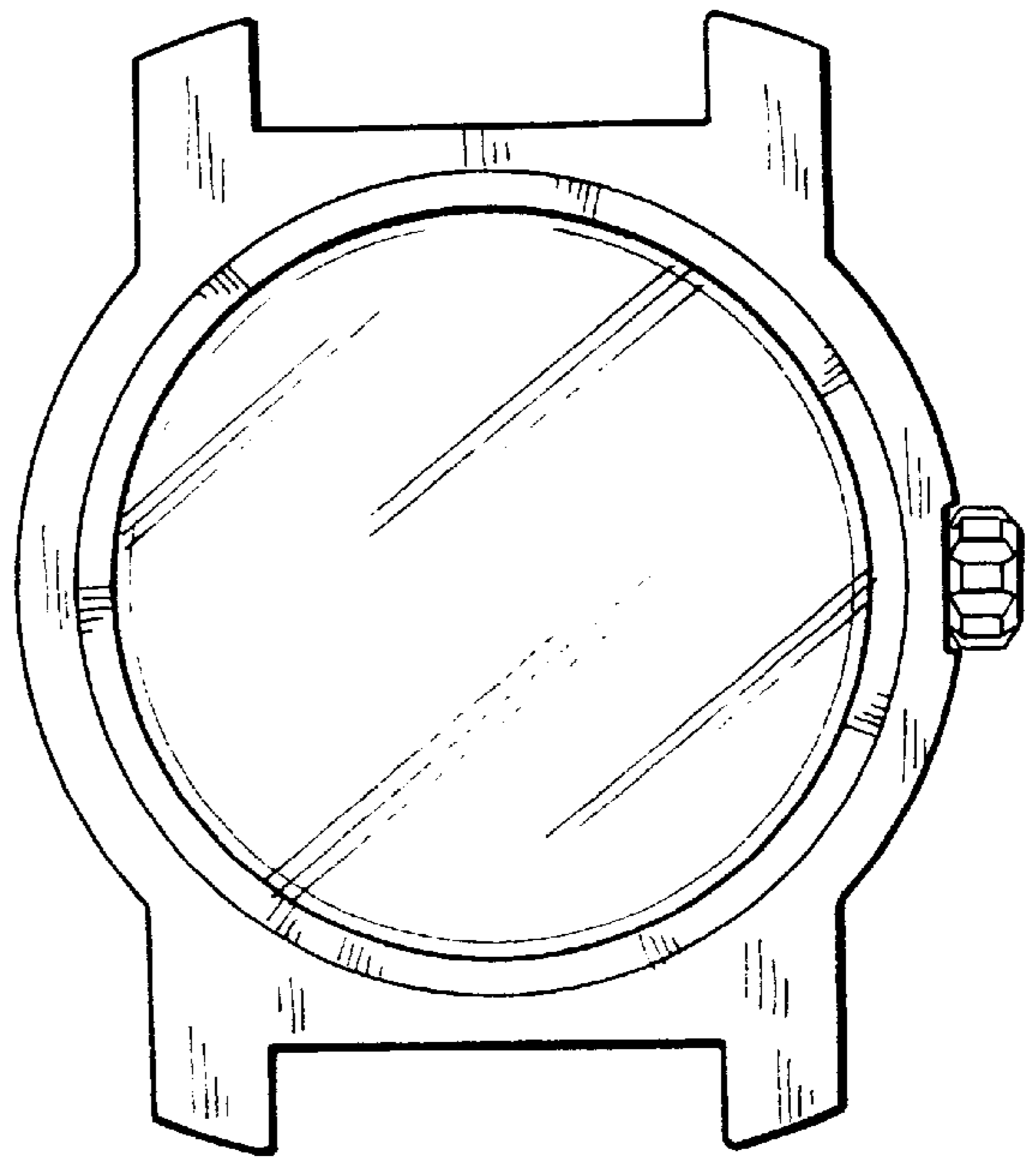


FIG. 2

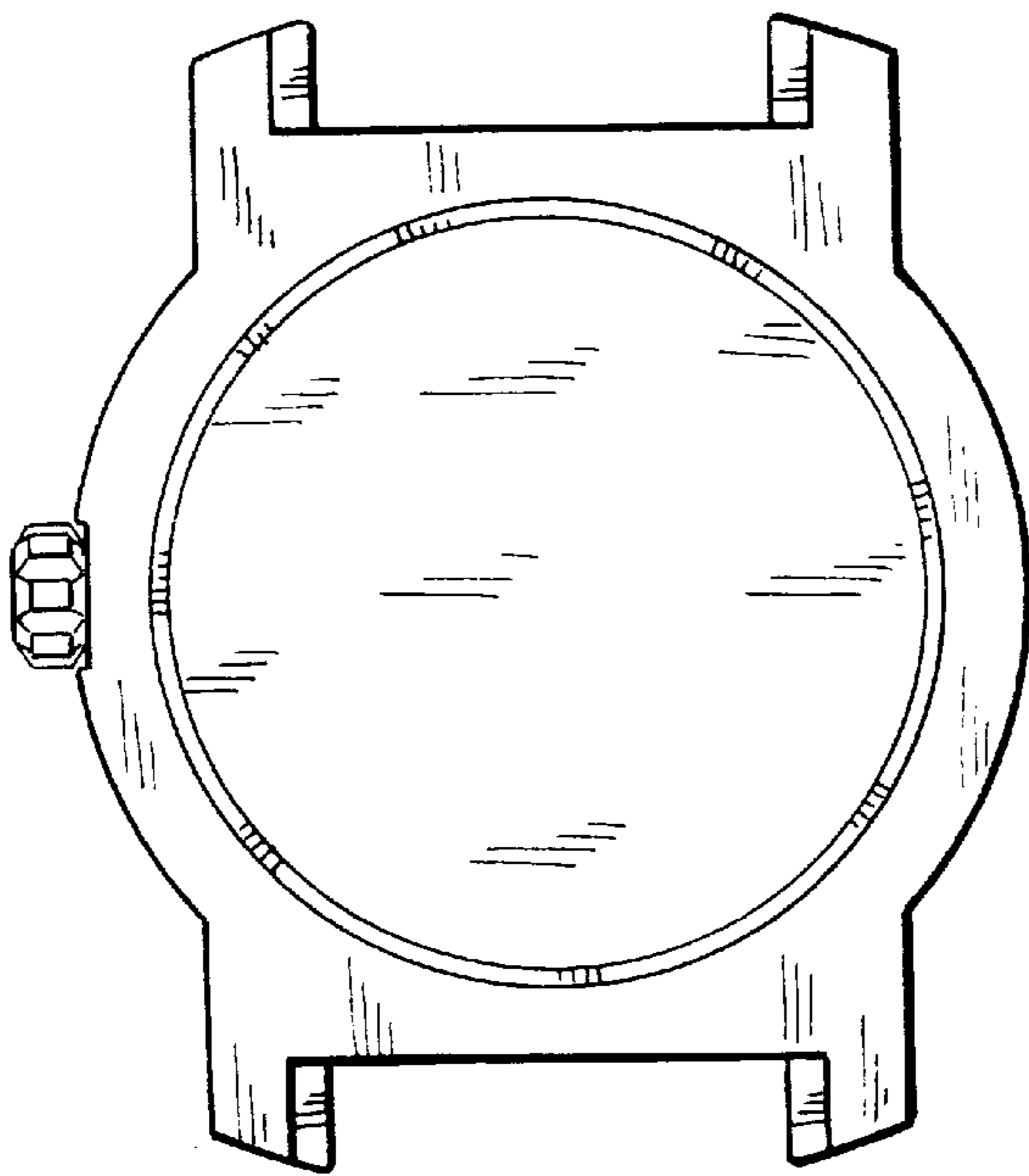


FIG. 3

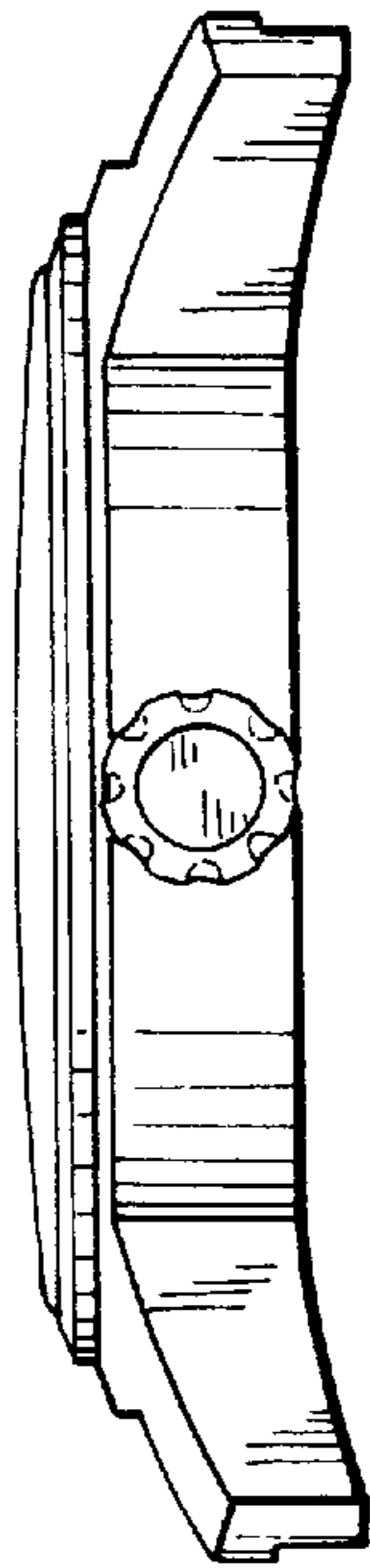


FIG. 4

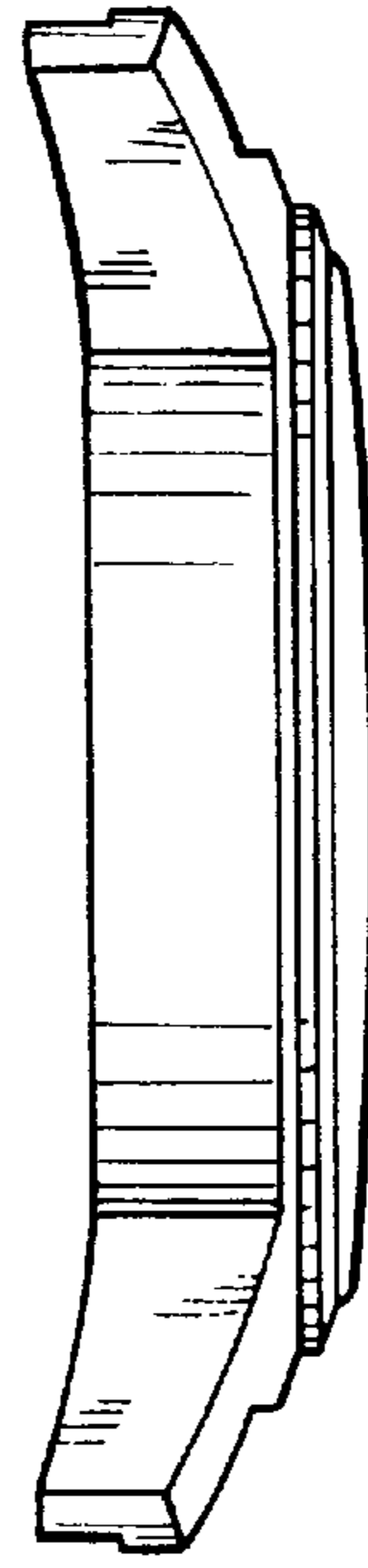


FIG. 5

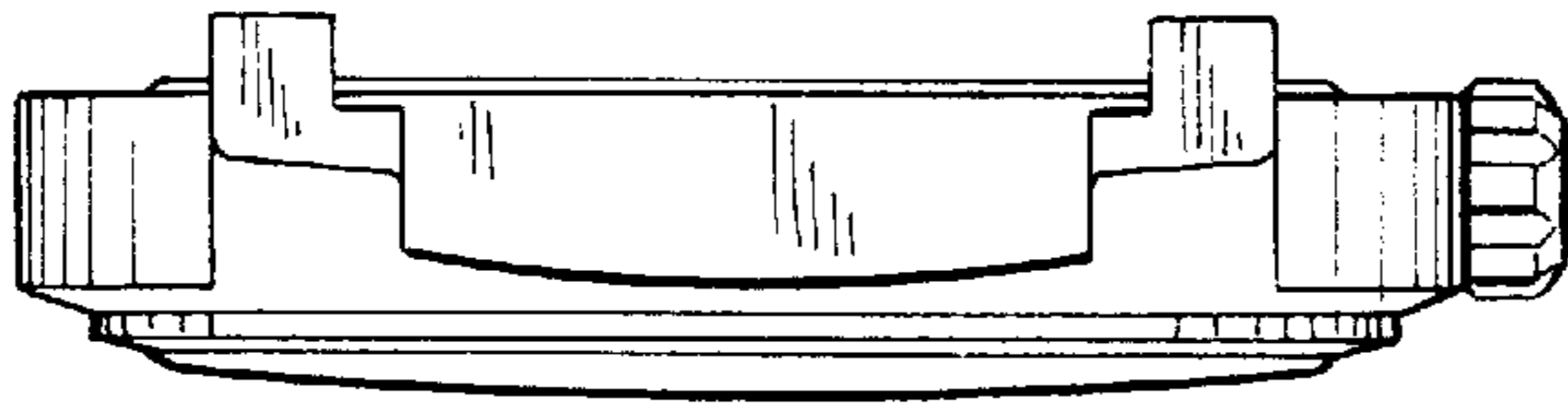


FIG. 6

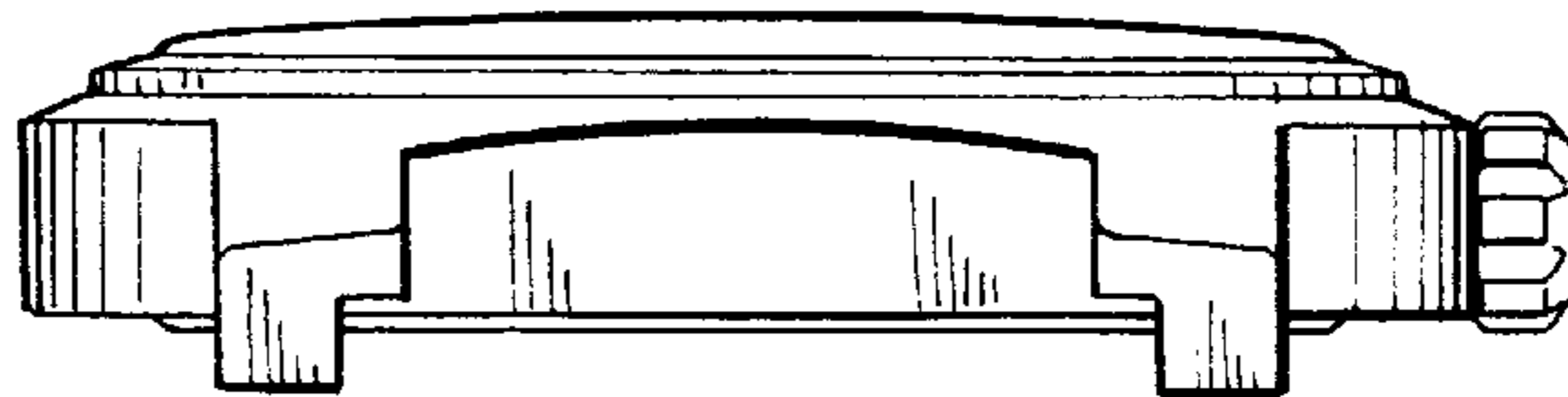


FIG. 7