



US00D400801S

United States Patent [19]
Gager et al.

[11] **Patent Number: Des. 400,801**

[45] **Date of Patent: **Nov. 10, 1998**

[54] **PERFUME BOTTLE**

[75] Inventors: **James Gager; Laura Handler**, both of New York, N.Y.

[73] Assignee: **Prescriptives Inc.**, New York, N.Y.

[**] Term: **14 Years**

[21] Appl. No.: **70,700**

[22] Filed: **May 14, 1997**

[51] **LOC (6) Cl.** **09-01**

[52] **U.S. Cl.** **D9/569; D9/556**

[58] **Field of Search** D9/529, 545, 549,
D9/556, 557, 558, 569, 570; 215/382; 220/662,
669, 673

[56] **References Cited**

U.S. PATENT DOCUMENTS

D. 189,697	1/1961	Du Pree	D9/569
D. 278,411	4/1985	Reitzel et al.	D9/529
D. 279,079	6/1985	Pourtout	D9/553
D. 282,441	2/1986	Shiokawa	D9/529 X
5,690,244	11/1997	Darr	220/673 X

Primary Examiner—Jeffrey Asch
Assistant Examiner—Cathron B. Matta
Attorney, Agent, or Firm—Fulbright & Jaworski LLP

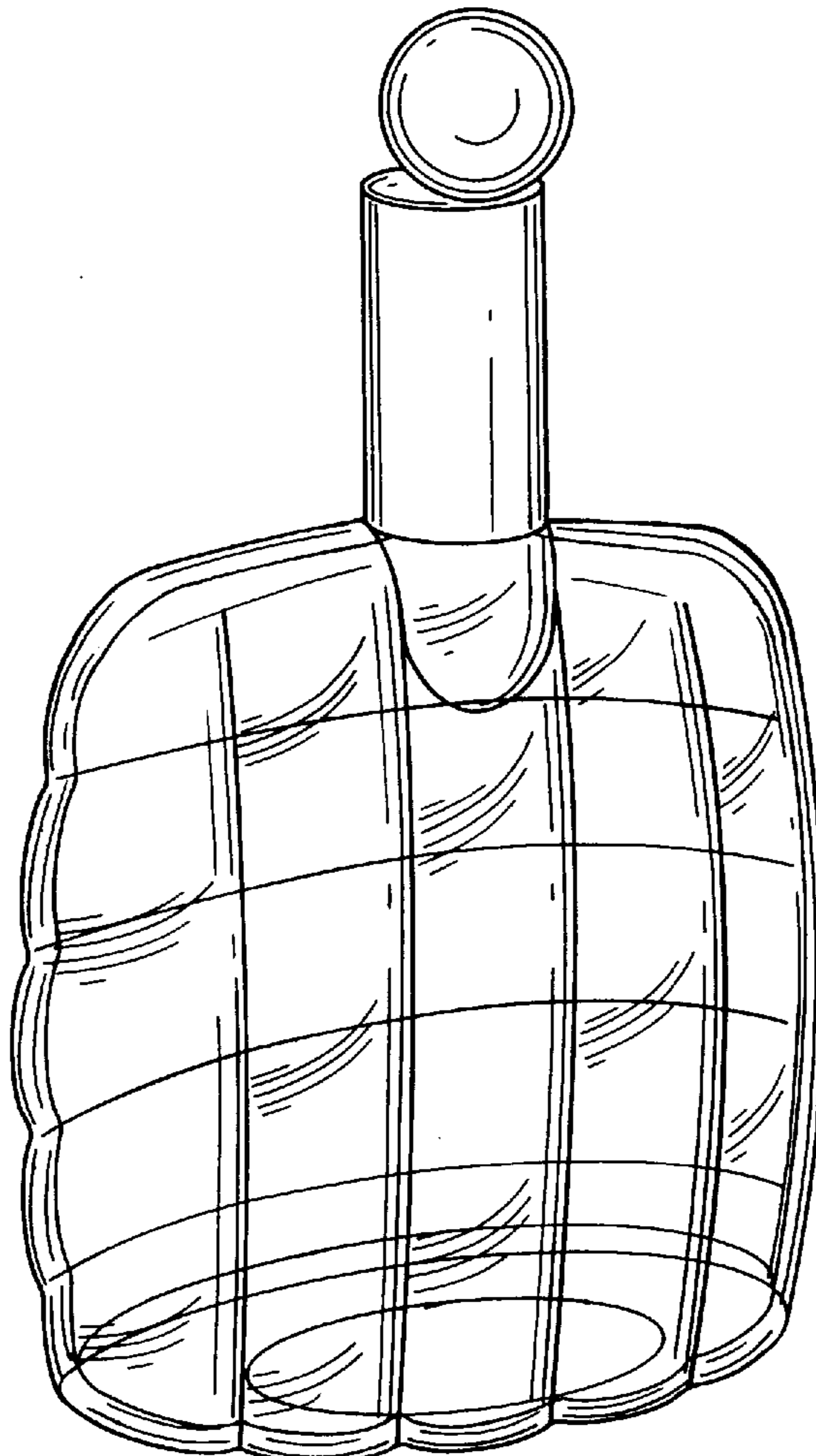
[57] **CLAIM**

The ornamental design for a perfume bottle, as shown and described.

DESCRIPTION

FIG. 1 is a perspective view of the design for a perfume bottle according to the invention;
FIG. 2 is a side view of the design for a perfume bottle according to the invention;
FIG. 3 is a rear view of the design for a perfume bottle according to the invention;
FIG. 4 is a front view of the design for a perfume bottle according to the invention;
FIG. 5 is an overhead view of the design for a perfume bottle according to the invention;
FIG. 6 is an underside view of the design for a perfume bottle according to the invention; and,
FIG. 7 is an exploded view of the design for a perfume bottle according to the invention.

1 Claim, 4 Drawing Sheets



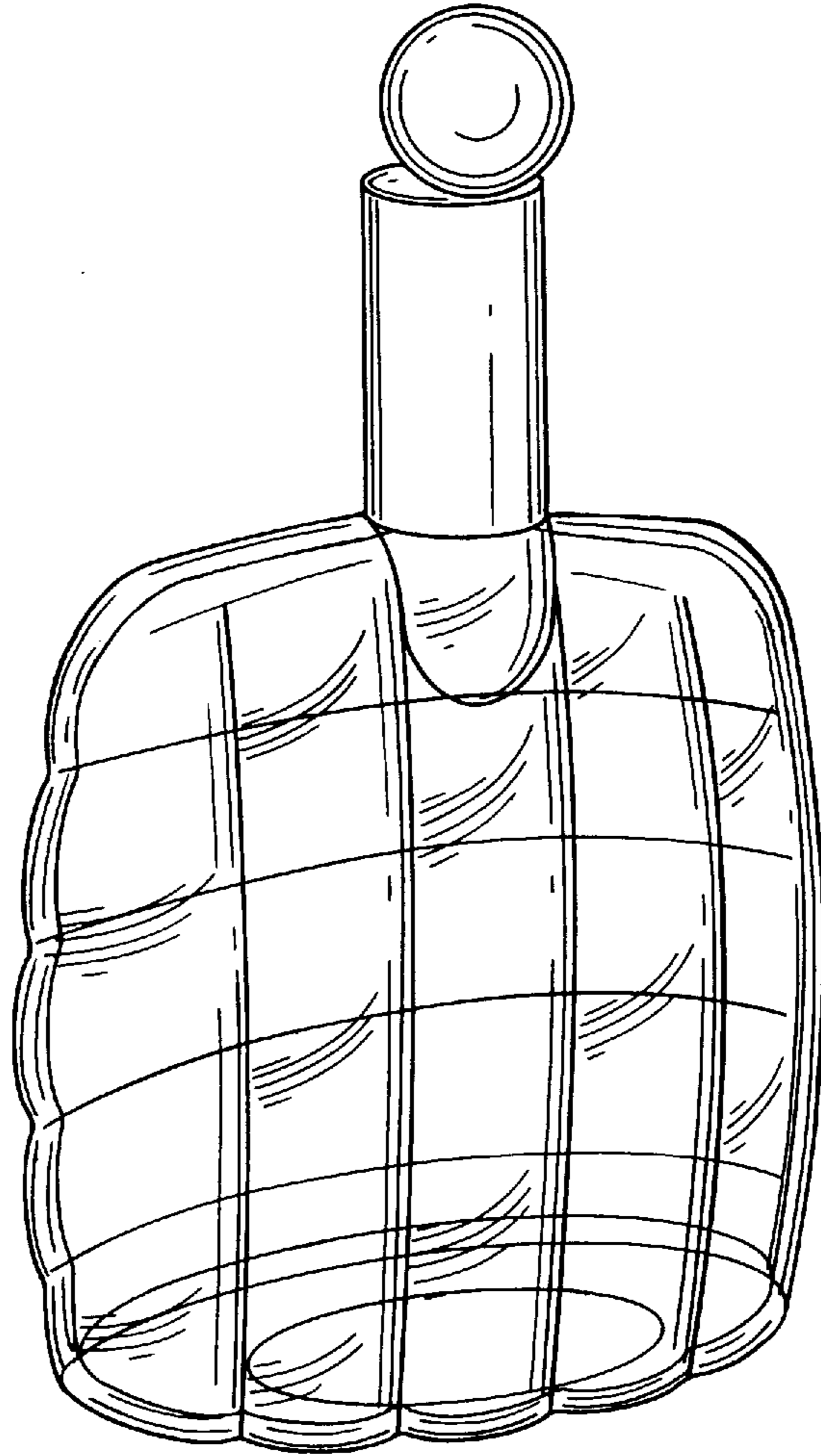


FIG. 1

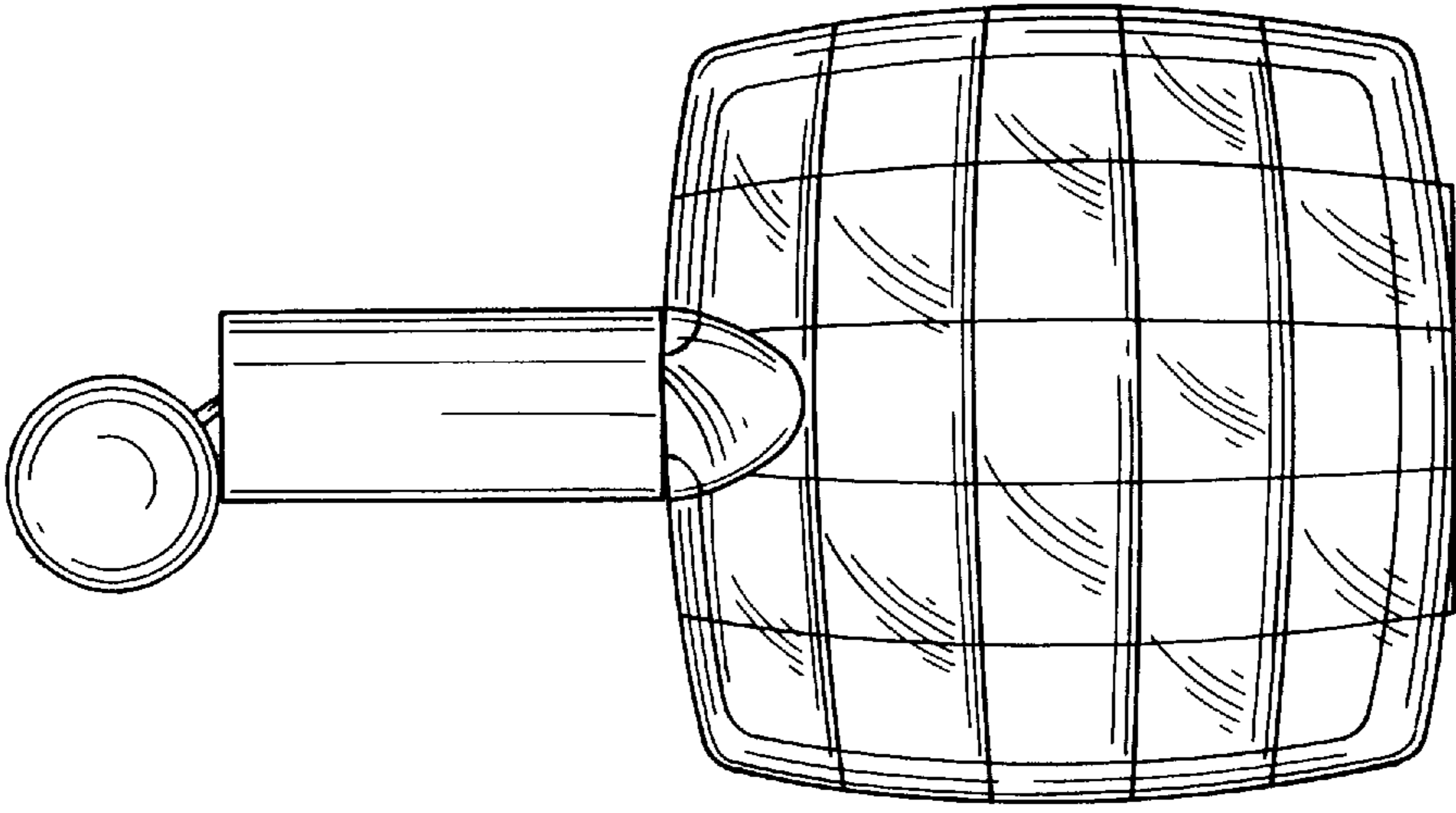


FIG. 4

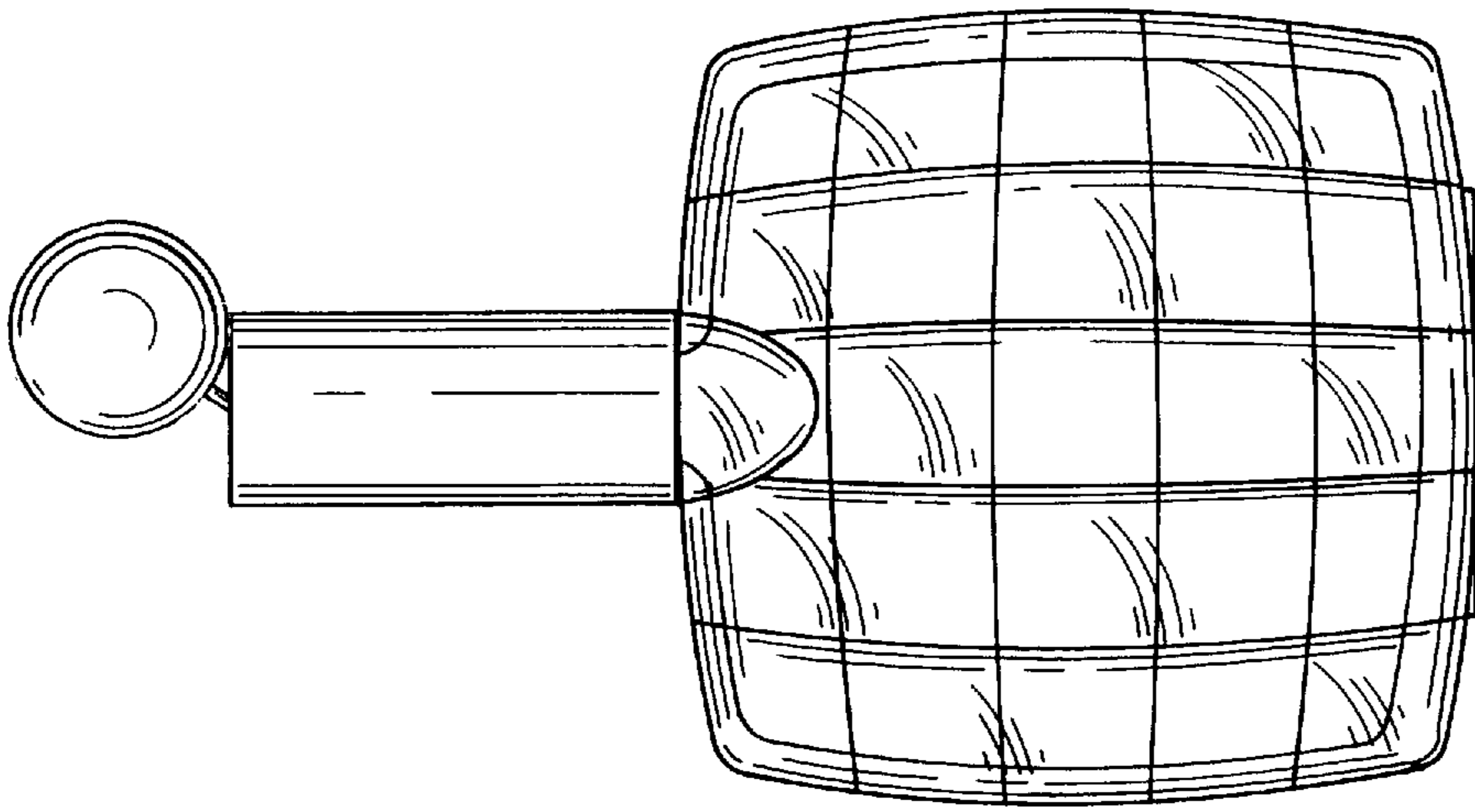


FIG. 3

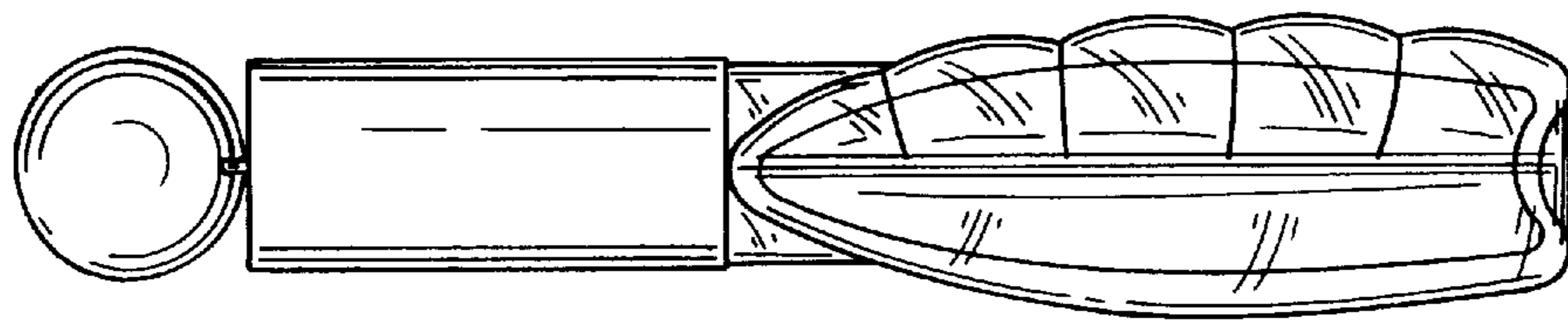


FIG. 2

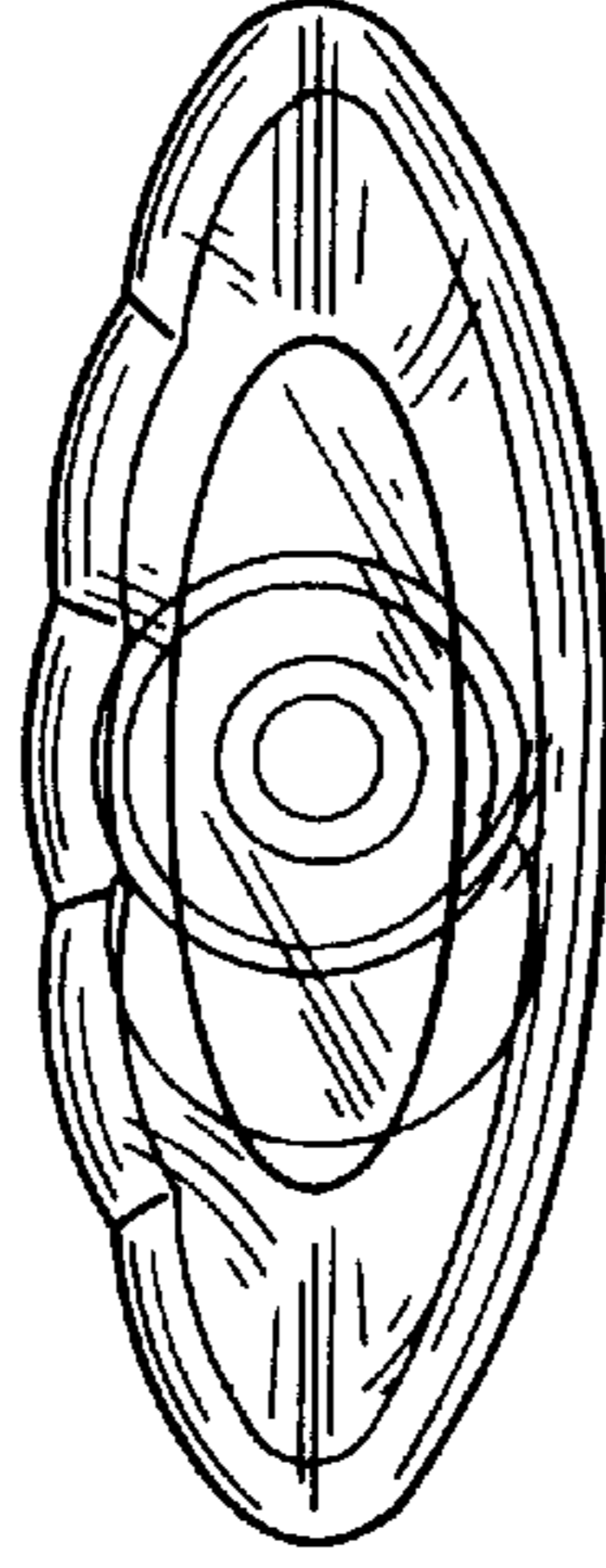


FIG. 6

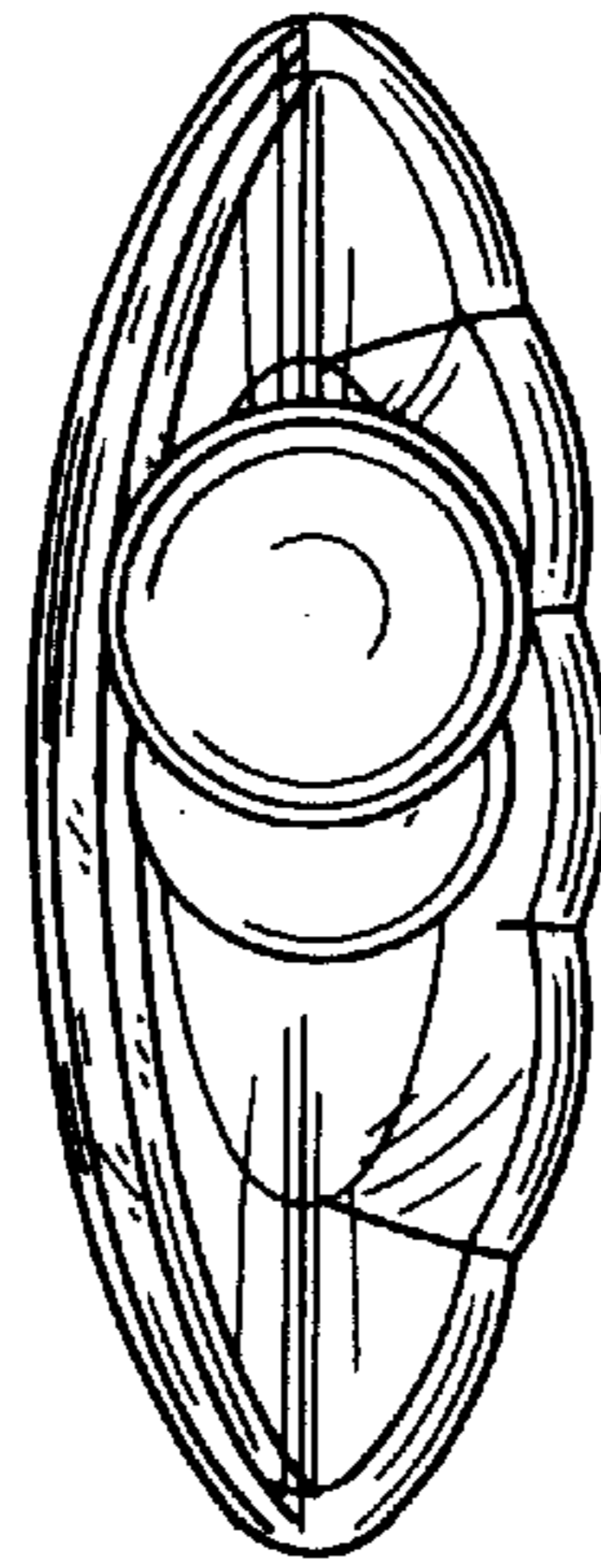


FIG. 5

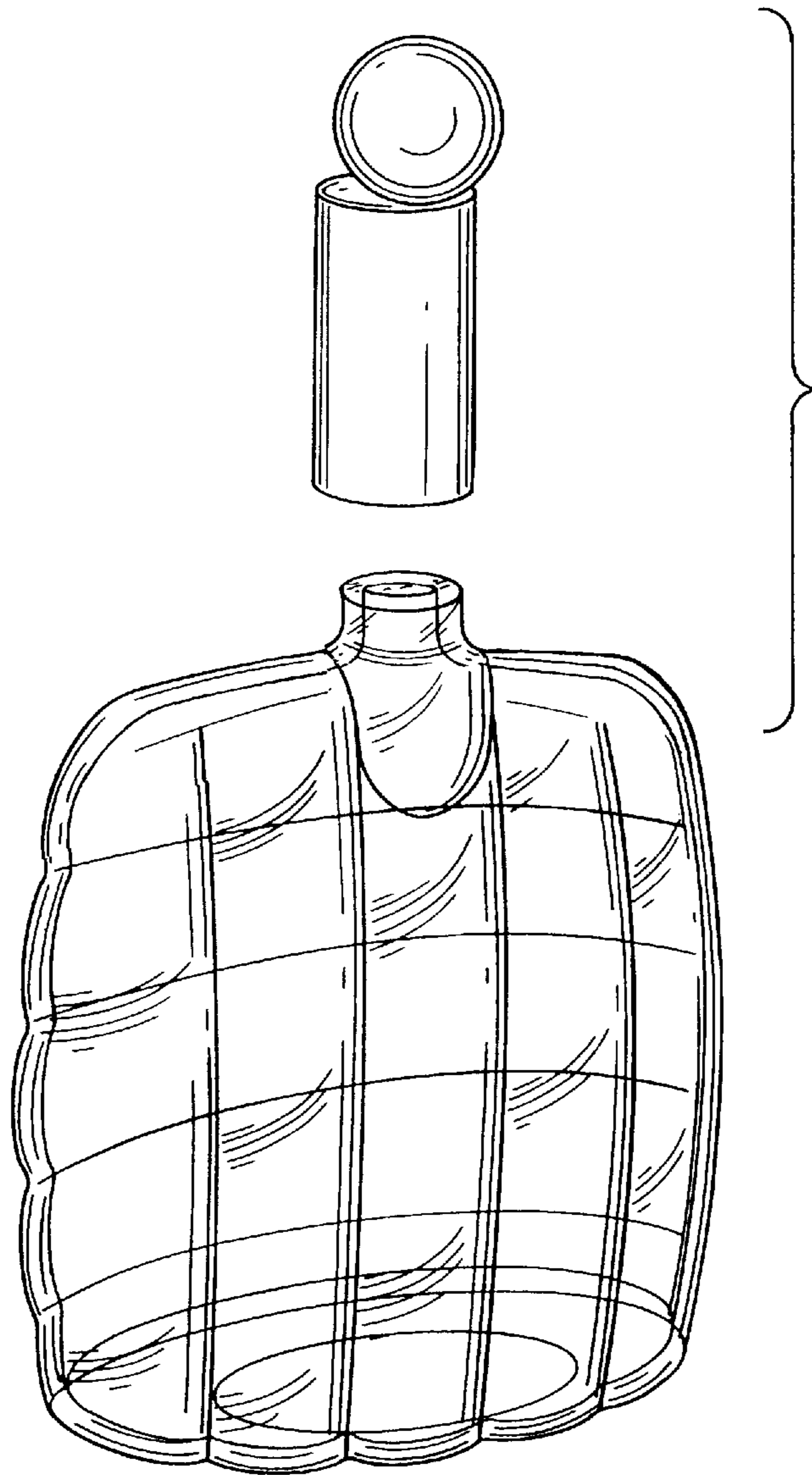


FIG. 7