



US00D400792S

United States Patent [19] Mascitelli

[11] **Patent Number: Des. 400,792**

[45] **Date of Patent: ***Nov. 10, 1998**

[54] **DISPENSER CAP FOR BOTTLES**

D. 356,249 3/1995 Abfier et al. D9/300
5,474,212 12/1995 Ichikawa et al. 222/105
5,497,915 3/1996 Wass 222/153.13

[75] Inventor: **Francesco Mascitelli**, Pescara, Italy

[73] Assignee: **SAR S.p.A.**, San Giovanni Teatino, Italy

Primary Examiner—Gary D. Watson
Assistant Examiner—Cathron B. Matta
Attorney, Agent, or Firm—Browdy and Neimark

[*] Notice: The term of this patent shall not extend beyond the expiration date of Pat. No. D. 399,745.

[**] Term: **14 Years**

[57] **CLAIM**

The ornamental design for a dispenser cap for bottles, as shown and described.

[21] Appl. No.: **72,033**

DESCRIPTION

[22] Filed: **Jun. 12, 1997**

FIG. 1 is a top plan view of a dispenser cap for bottles in accordance with the present design;

[30] **Foreign Application Priority Data**

Dec. 13, 1996 [IT] Italy RM9600243

FIG. 2 is a front elevation view thereof;

[51] **LOC (6) Cl.** **09-07**

FIG. 3 is a lateral left view thereof;

[52] **U.S. Cl.** **D9/448**

FIG. 4 is a rear view thereof;

[58] **Field of Search** D9/300, 435, 436, D9/439, 440, 447-450, 529; 222/105, 153.13, 153.14, 383.1, 383.3, 402.11, 402.13, 562; 239/333

FIG. 5 is a perspective view thereof; and,

FIG. 6 is a inverted lateral right view thereof.

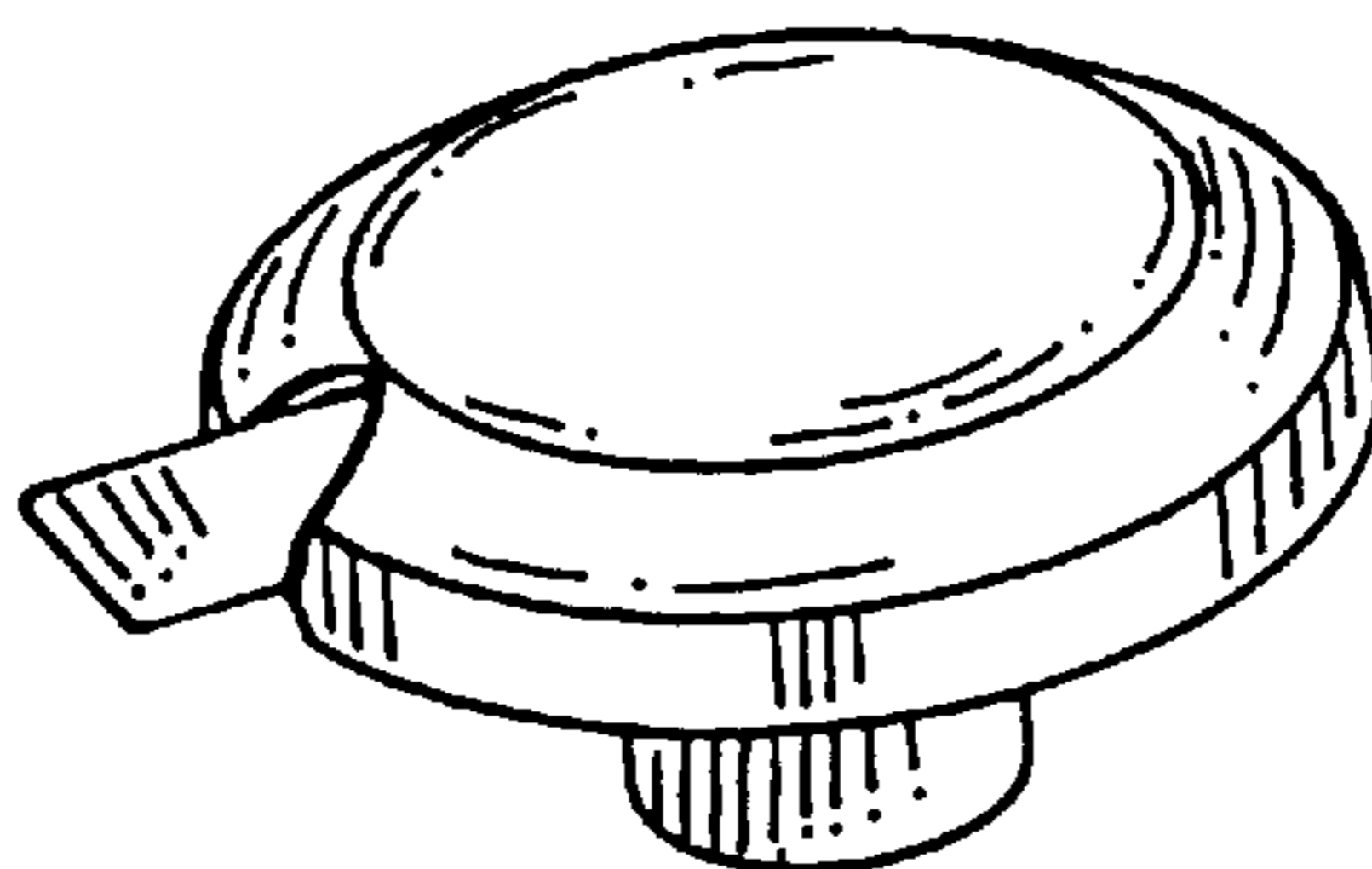
The bottom and interior of the cap form no part of the claimed design.

[56] **References Cited**

U.S. PATENT DOCUMENTS

D. 351,794 10/1994 Foster D9/448

1 Claim, 2 Drawing Sheets



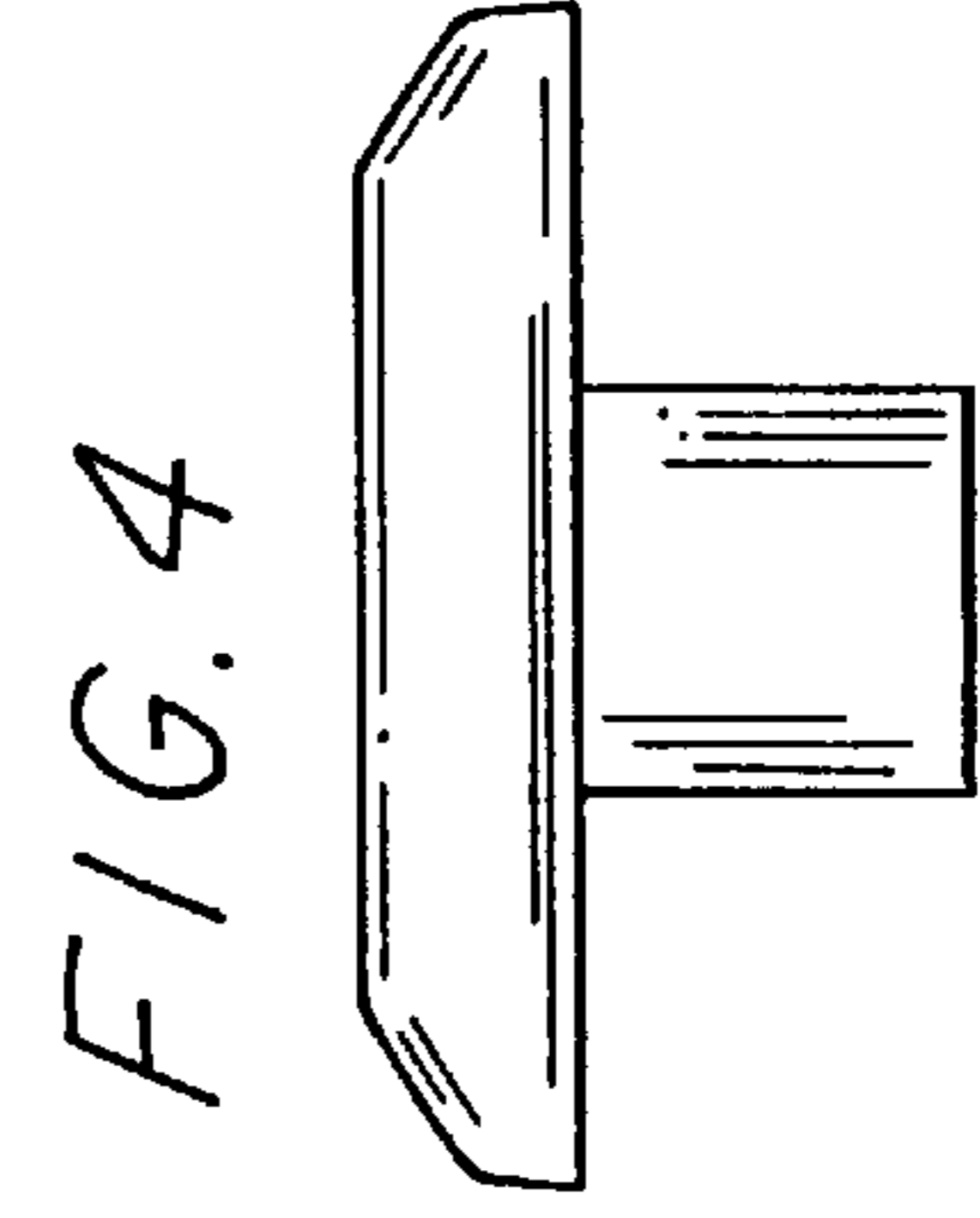
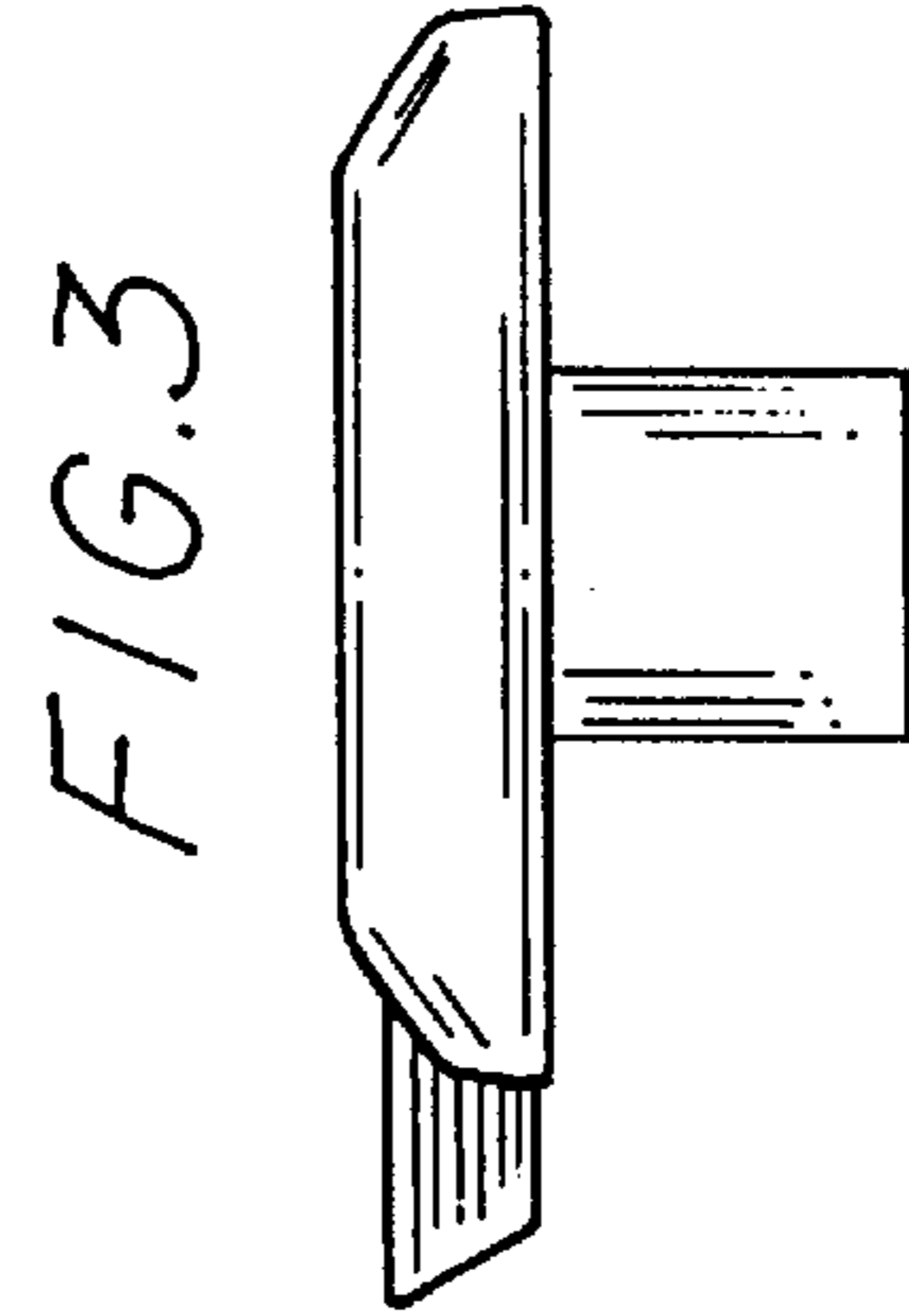
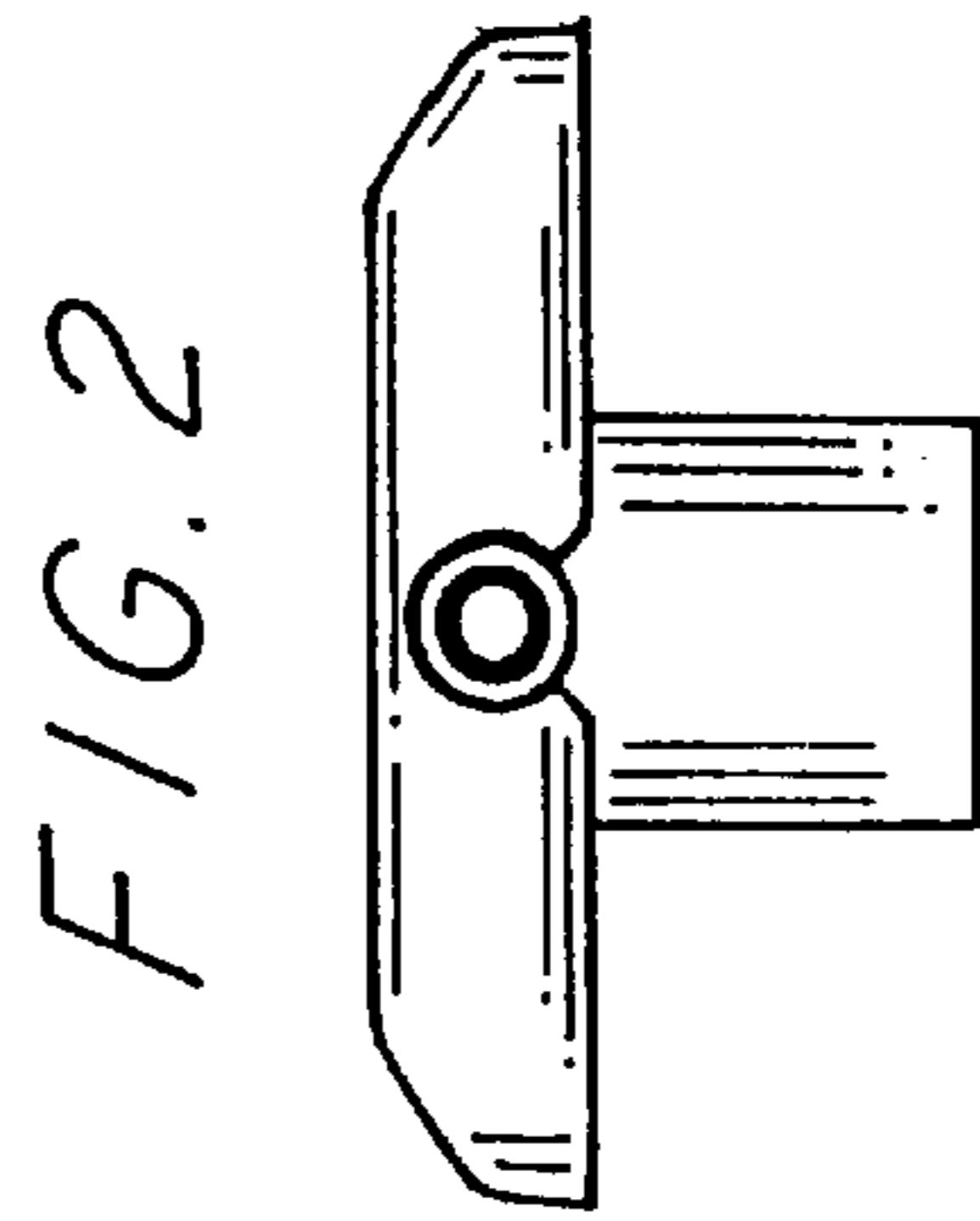
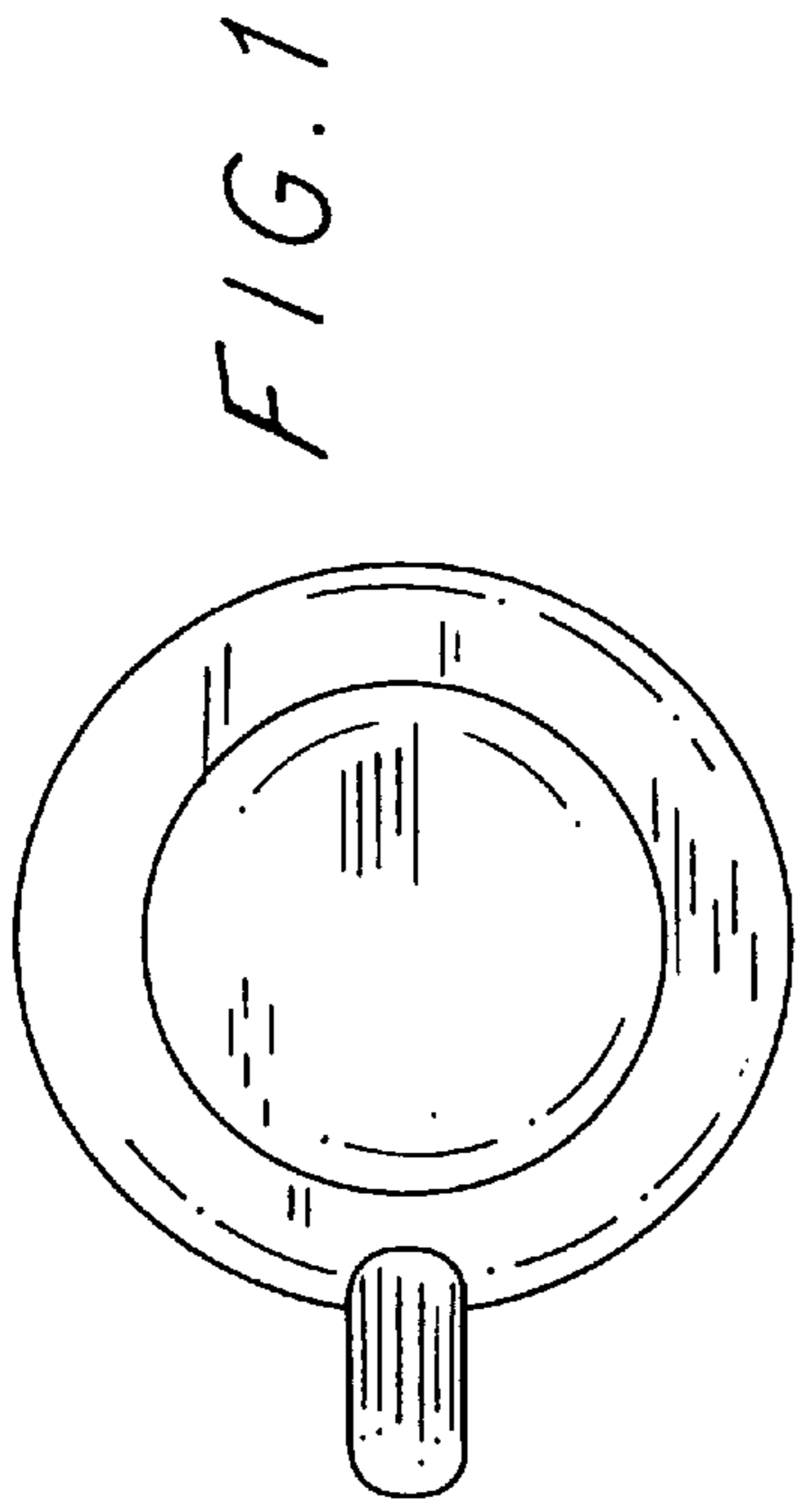


FIG. 5

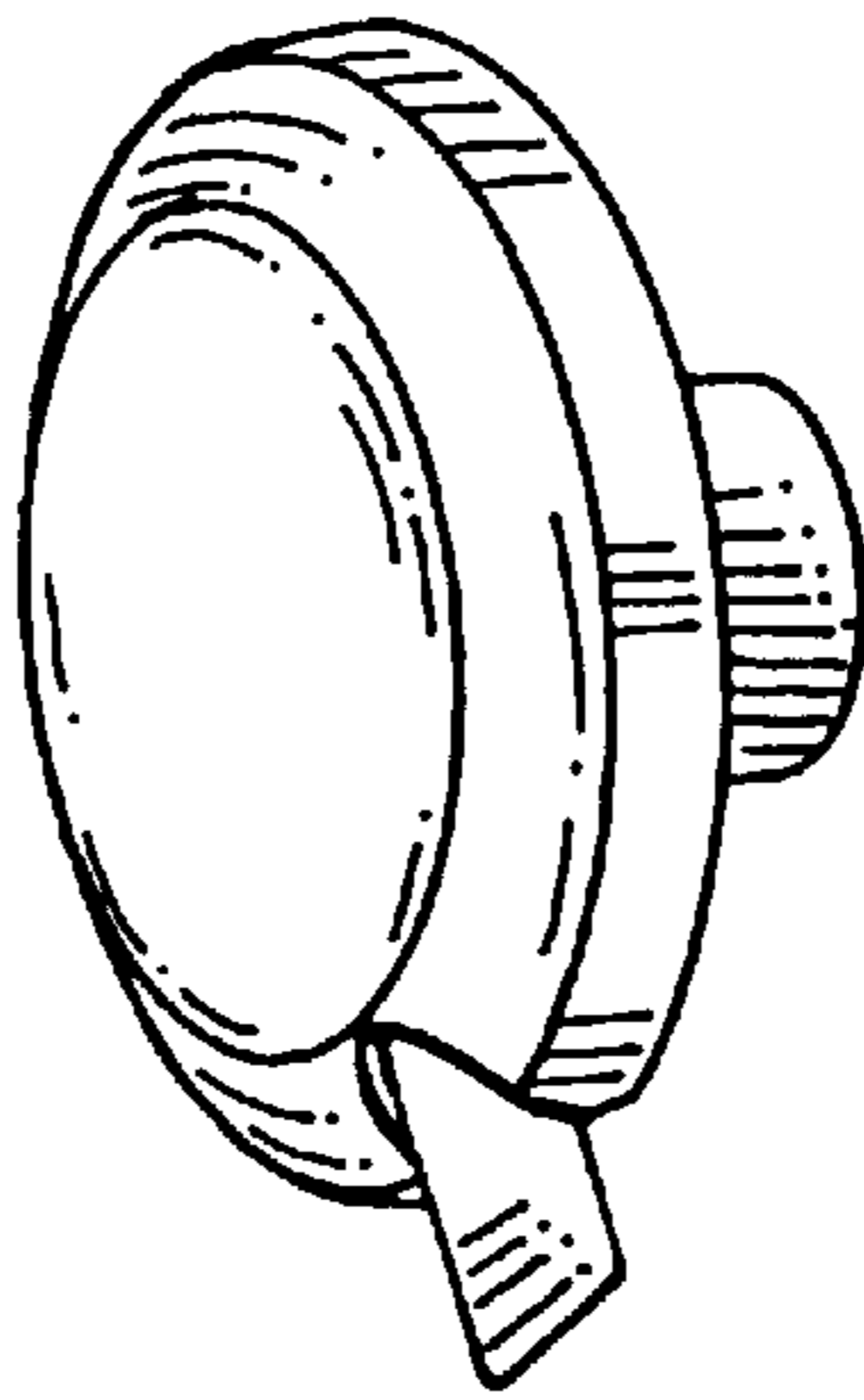


FIG. 6

