

US00D400785S

United States Patent [19]
Randall

[11] **Patent Number: Des. 400,785**

[45] **Date of Patent: **Nov. 10, 1998**

[54] **BAG CARRYING HOOK**

[76] Inventor: **Glenn C Randall**, 136 W. Branch Rd.s,
Barto, Pa. 19504

[**] Term: **14 Years**

[21] Appl. No.: **61,200**

[22] Filed: **Oct. 17, 1996**

[51] **LOC (6) Cl. 09-07**

[52] **U.S. Cl. D9/434**

[58] **Field of Search** D9/434, 499, 455;
D3/328; D8/300; 294/137, 159, 163-166,
170, 171; 383/6, 13, 22, 23, 25

[56] **References Cited**

U.S. PATENT DOCUMENTS

D. 137,712	4/1944	Miano	D9/434
D. 269,253	6/1983	Gagnon	D9/434
D. 294,559	3/1988	Schwalbach	D9/434
5,507,544	4/1996	McQuade et al.	294/159

FOREIGN PATENT DOCUMENTS

2541099 8/1984 France .

Primary Examiner—James Gandy
Assistant Examiner—Cathron B. Matta

[57] **CLAIM**

The ornamental design for a bag carrying hook, as shown and described.

DESCRIPTION

FIG. 1 is a front view of the bag carrying hook of the present invention;

FIG. 2 is a rear view of the bag carrying hook of FIG. 1;

FIG. 3 is a left side view of the bag carrying hook of FIG. 1;

FIG. 4 is a right side view of the bag carrying hook of FIG. 1;

FIG. 5 is a top view of the bag carrying hook of FIG. 1; and,

FIG. 6 is a bottom view of the bag carrying hook of FIG. 1.

The broken line showing of strap portions in FIG. 1 are for illustrative purposes only and form no part of the claimed design.

1 Claim, 3 Drawing Sheets

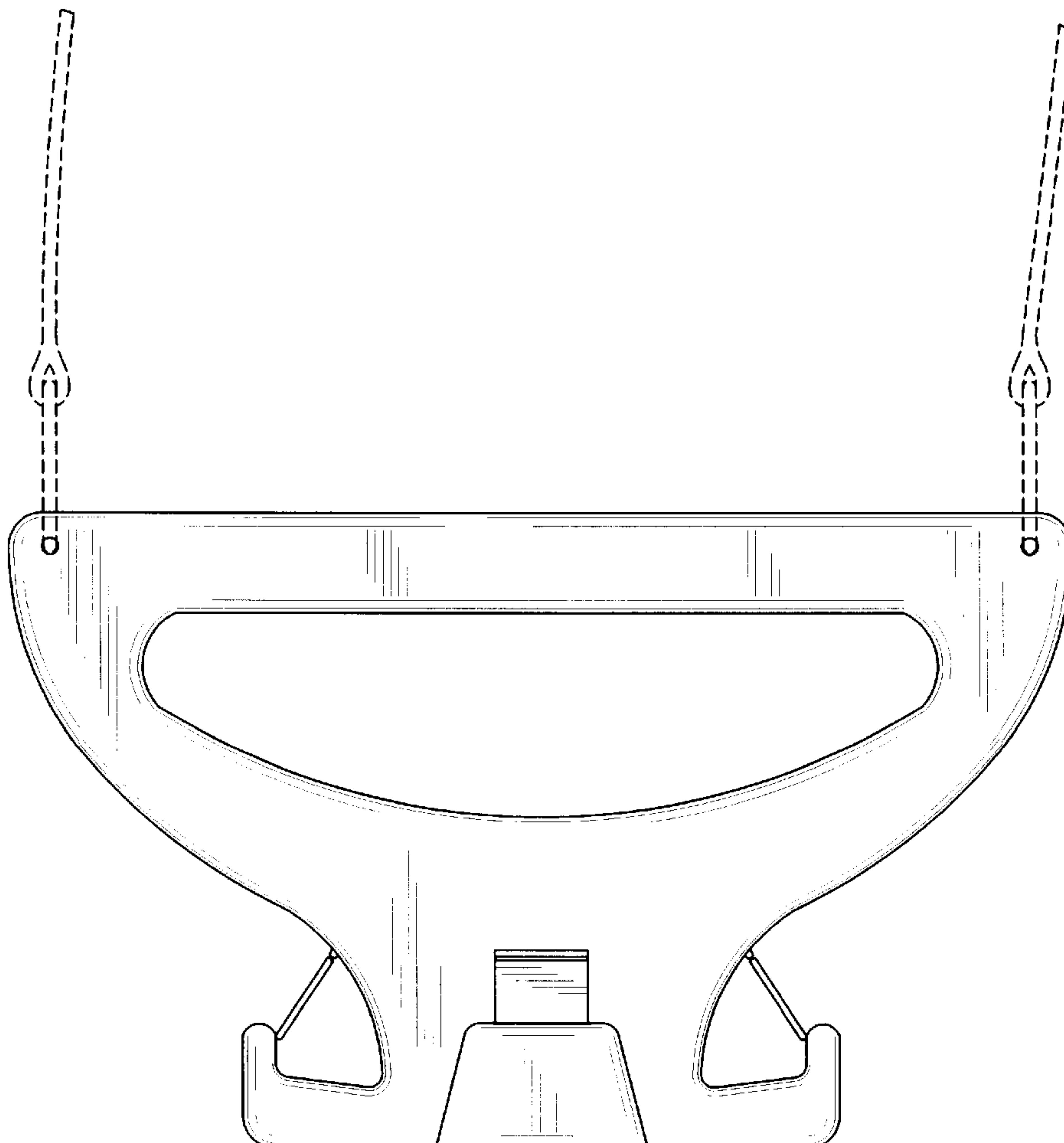


FIG. 1

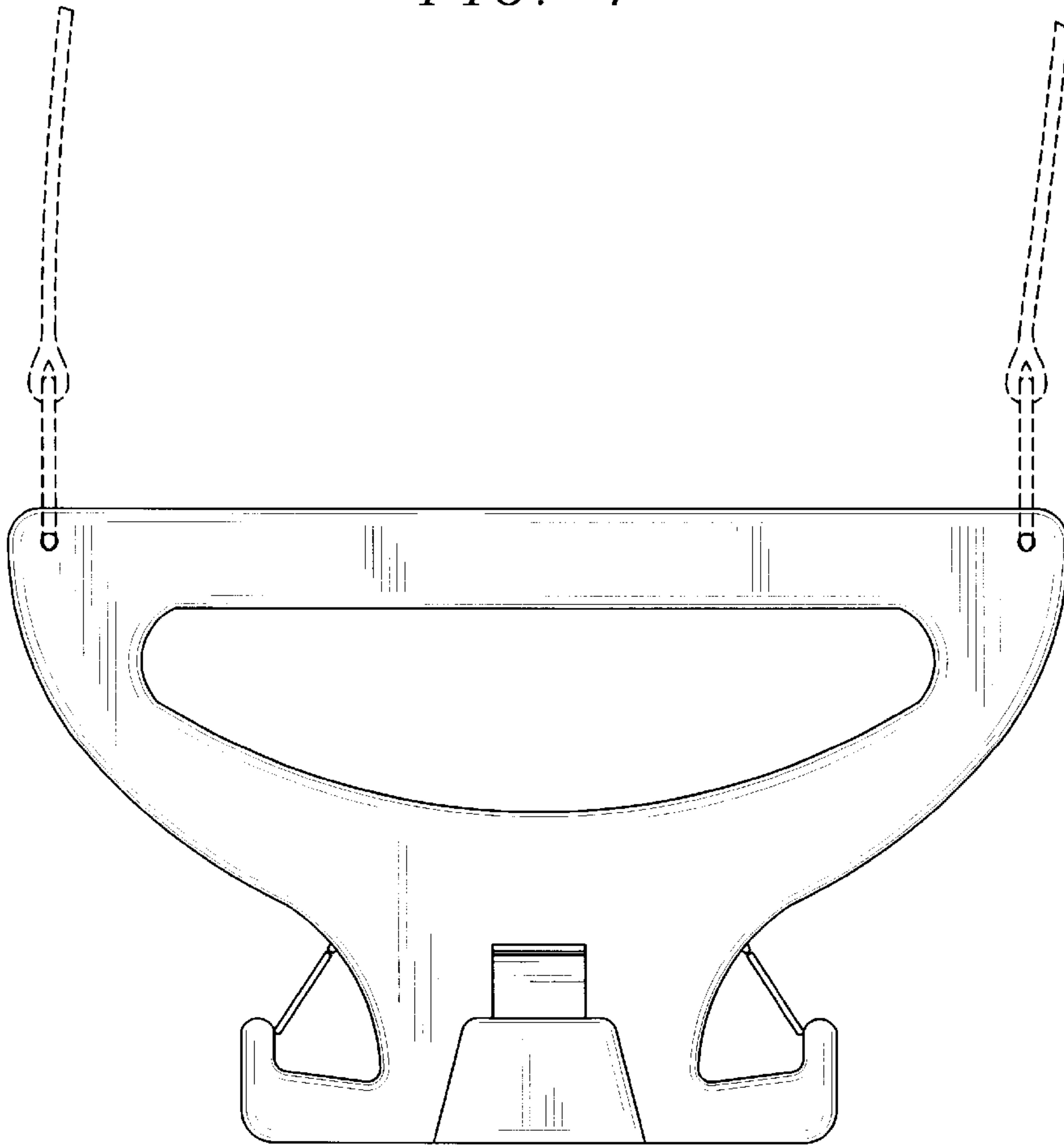


FIG. 2

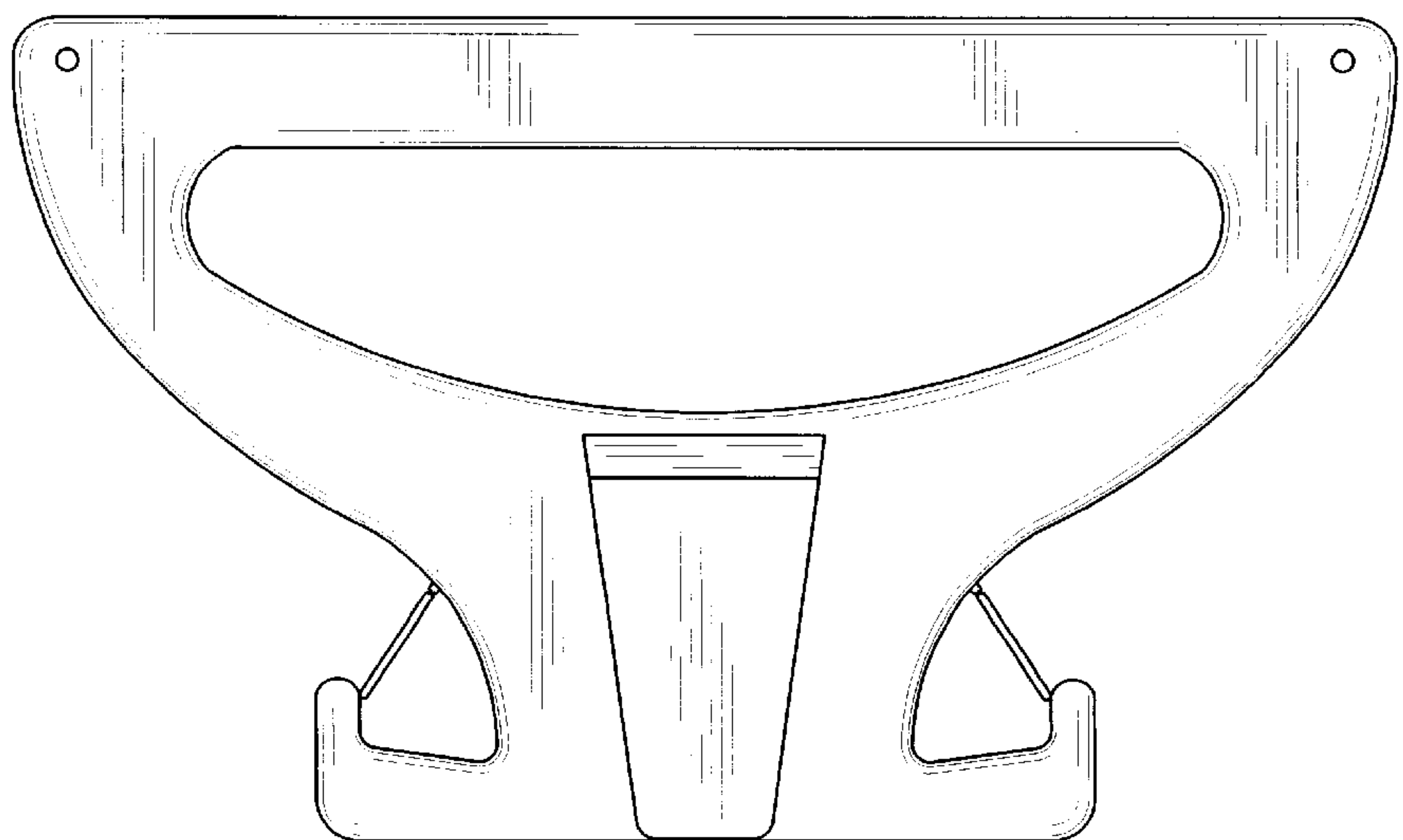


FIG. 3

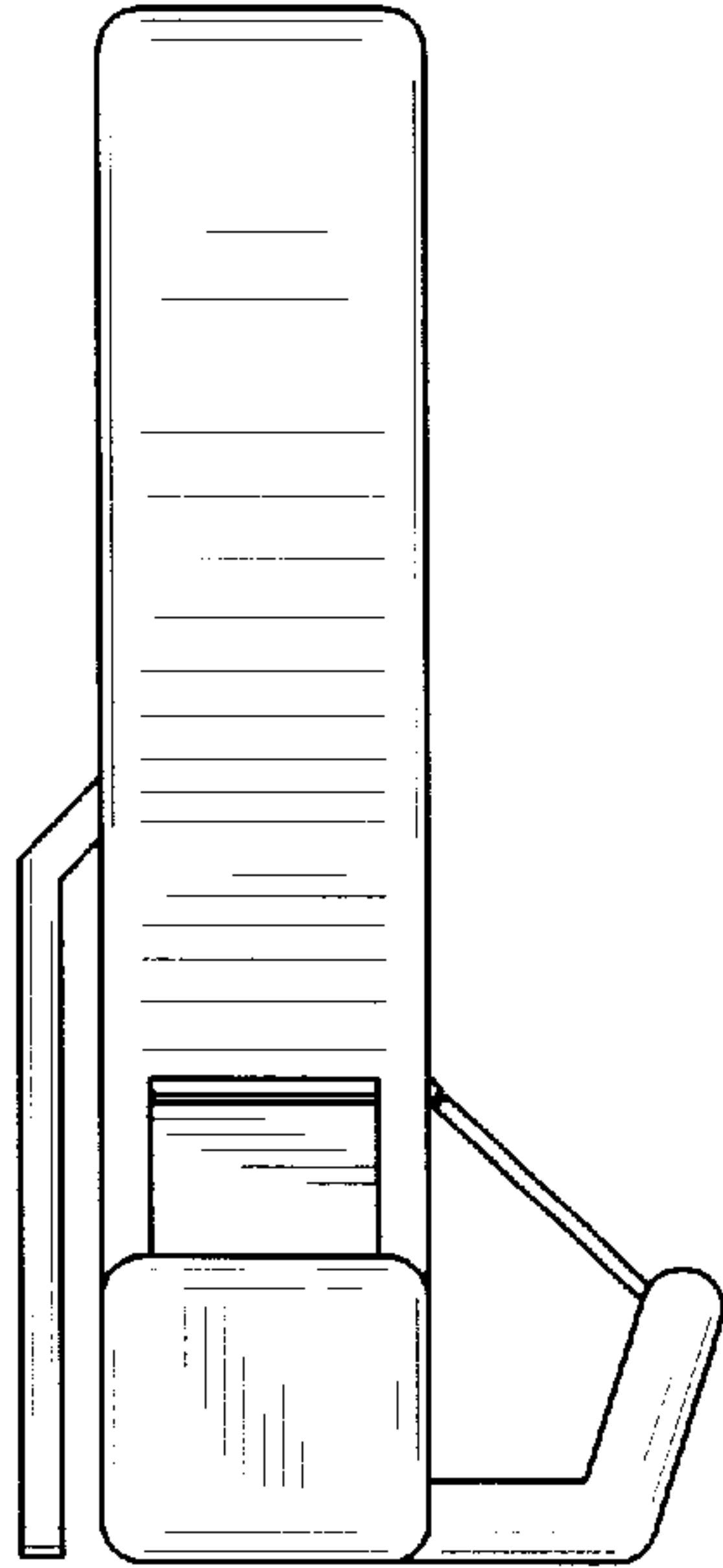


FIG. 4

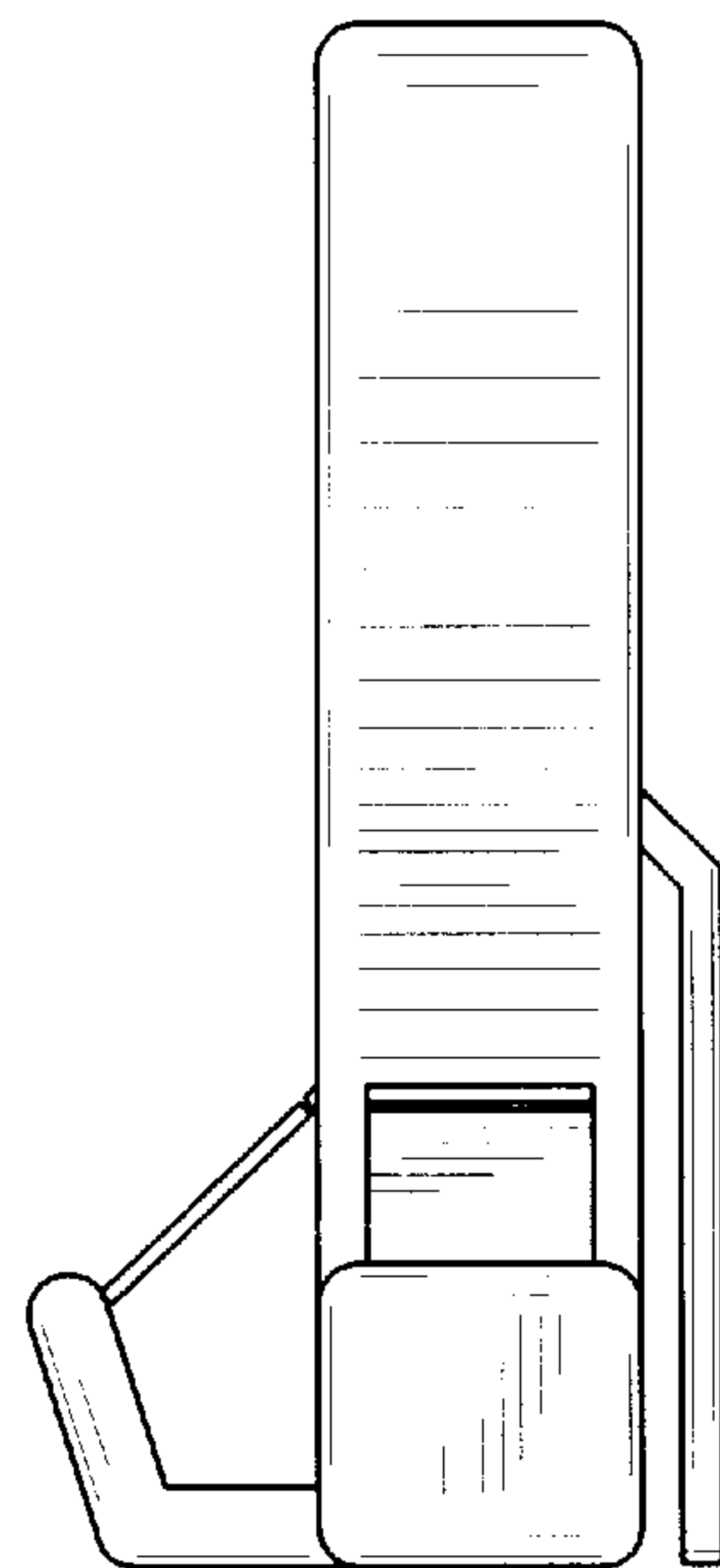


FIG. 5

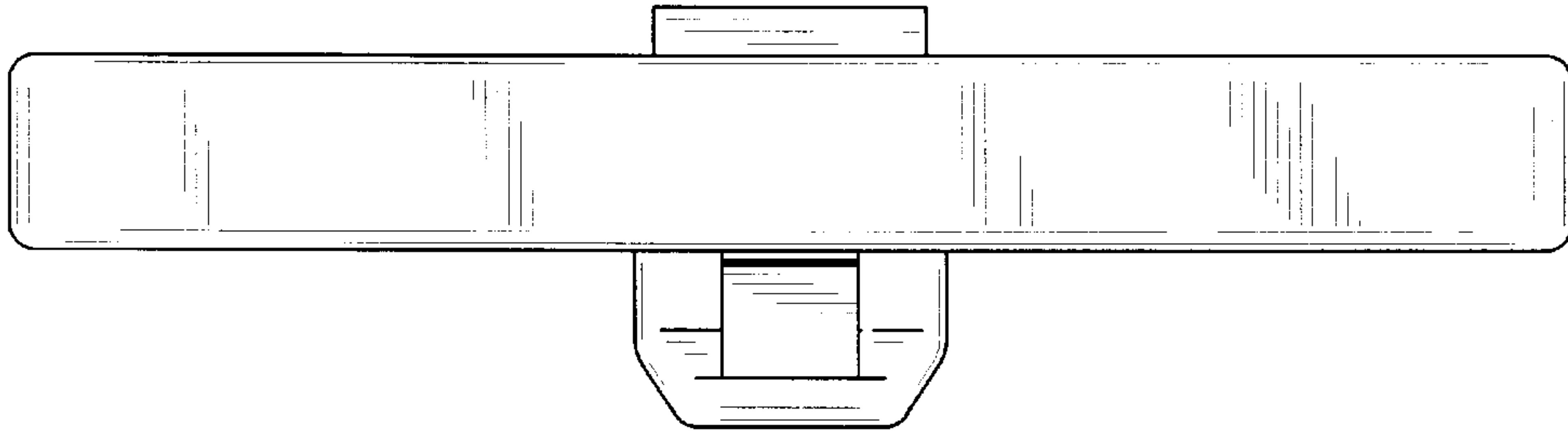


FIG. 6

