

US00D400784S

**United States Patent** [19]  
**Cummings et al.**

[11] **Patent Number: Des. 400,784**

[45] **Date of Patent: \*\*Nov. 10, 1998**

[54] **CONTAINER**

[75] Inventors: **Bruce Cummings**, New York, N.Y.;  
**Daniel J. Durham**, Toledo, Ohio;  
**Donald Losier**, Chester, N.J.

[73] Assignee: **Colgate-Palmolive Company**, New York, N.Y.

[\*\*] Term: **14 Years**

[21] Appl. No.: **76,908**

[22] Filed: **Sep. 24, 1997**

[51] **LOC (6) Cl.** ..... **09-01**

[52] **U.S. Cl.** ..... **D9/300**

[58] **Field of Search** ..... D9/300, 301, 302,  
D9/503, 504, 529, 539, 542, 556, 569,  
573, 574; 215/382, 384; 222/153.1, 153.11,  
153.12, 212, 213, 544, 545, 546, 553, 556,  
557

[56] **References Cited**

**U.S. PATENT DOCUMENTS**

D. 234,076 1/1975 Peterson ..... D9/544

D. 310,632 9/1990 Hutton ..... D9/556  
D. 317,121 5/1991 Crawford et al. .... D9/447 X  
D. 324,998 3/1992 Klapwald ..... D9/447 X  
D. 352,663 11/1994 Suxdorf ..... D9/573  
D. 373,536 9/1996 Kokenge et al. .... D9/529  
5,123,561 6/1992 Gross ..... 222/153.1 X

*Primary Examiner*—Jeffrey Asch  
*Assistant Examiner*—Cathron B. Matta  
*Attorney, Agent, or Firm*—Michael Mcgreal

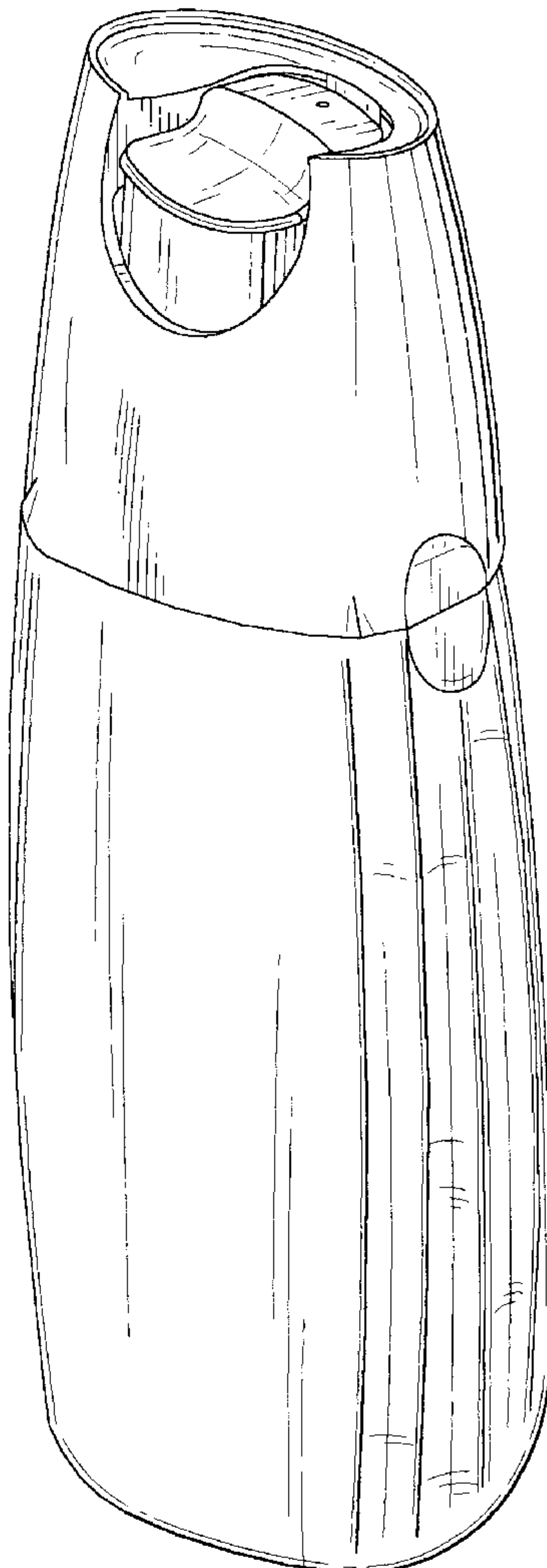
[57] **CLAIM**

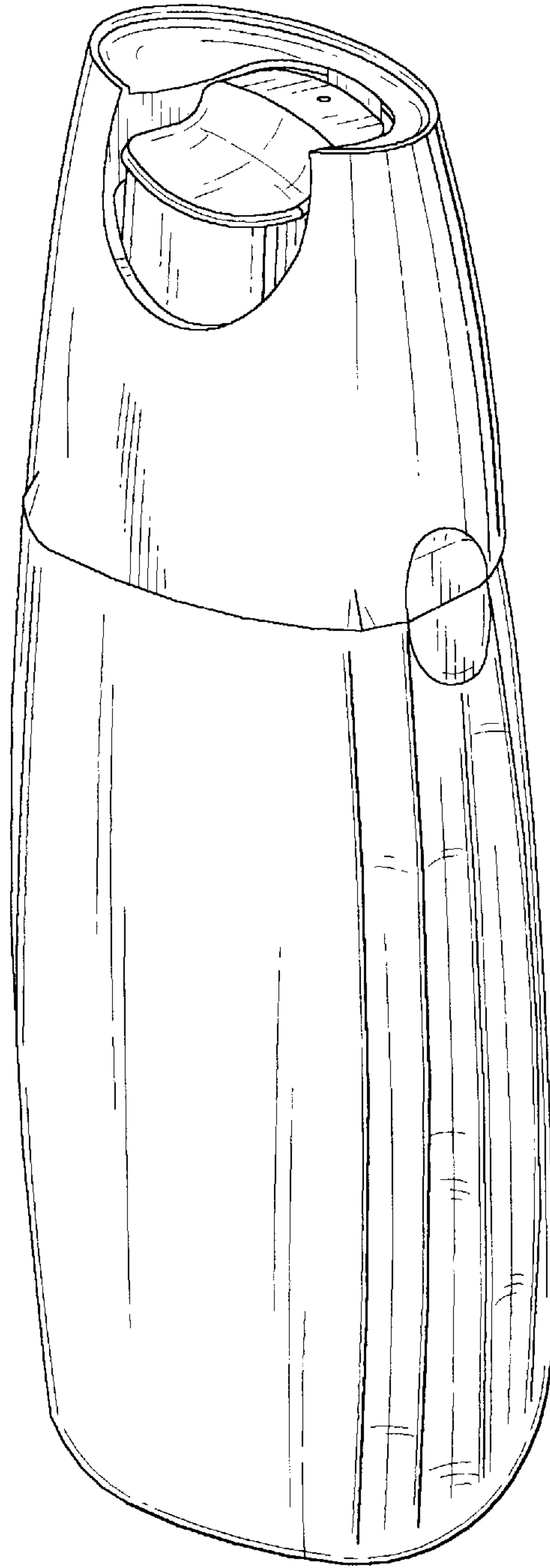
The ornamental design for a container, as shown and described.

**DESCRIPTION**

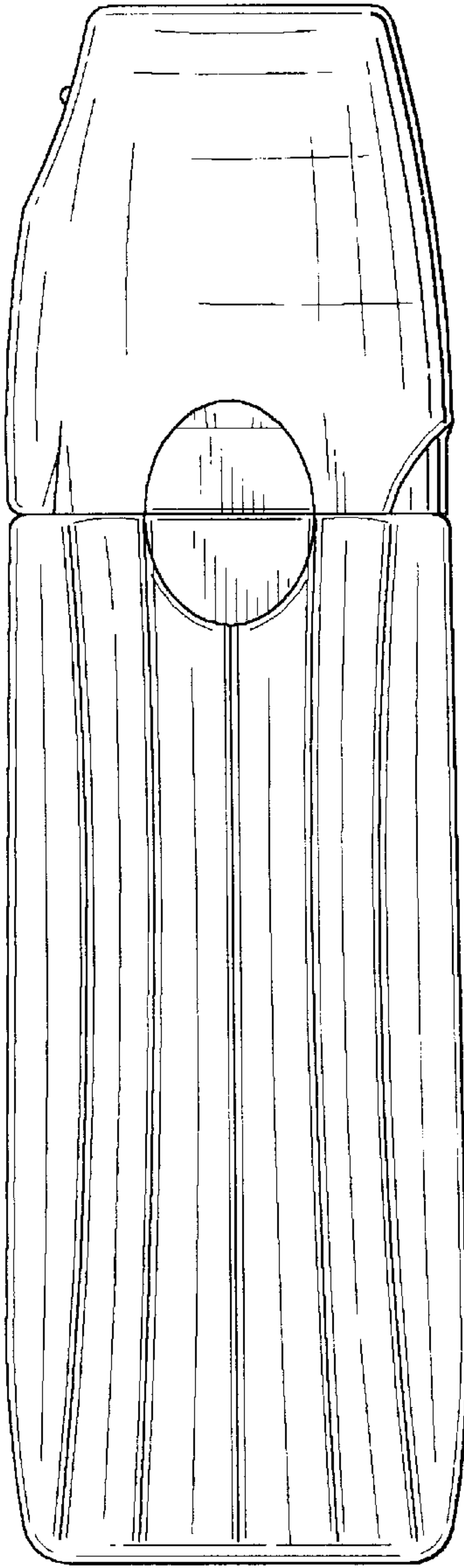
FIG. 1 is a perspective view of our design for a container;  
FIG. 2 is a right side elevation view thereof;  
FIG. 3 is a left side elevation view thereof;  
FIG. 4 is a front elevation view thereof;  
FIG. 5 is a rear elevation view thereof;  
FIG. 6 is a top plan view thereof; and,  
FIG. 7 is a bottom plan view thereof.

**1 Claim, 4 Drawing Sheets**

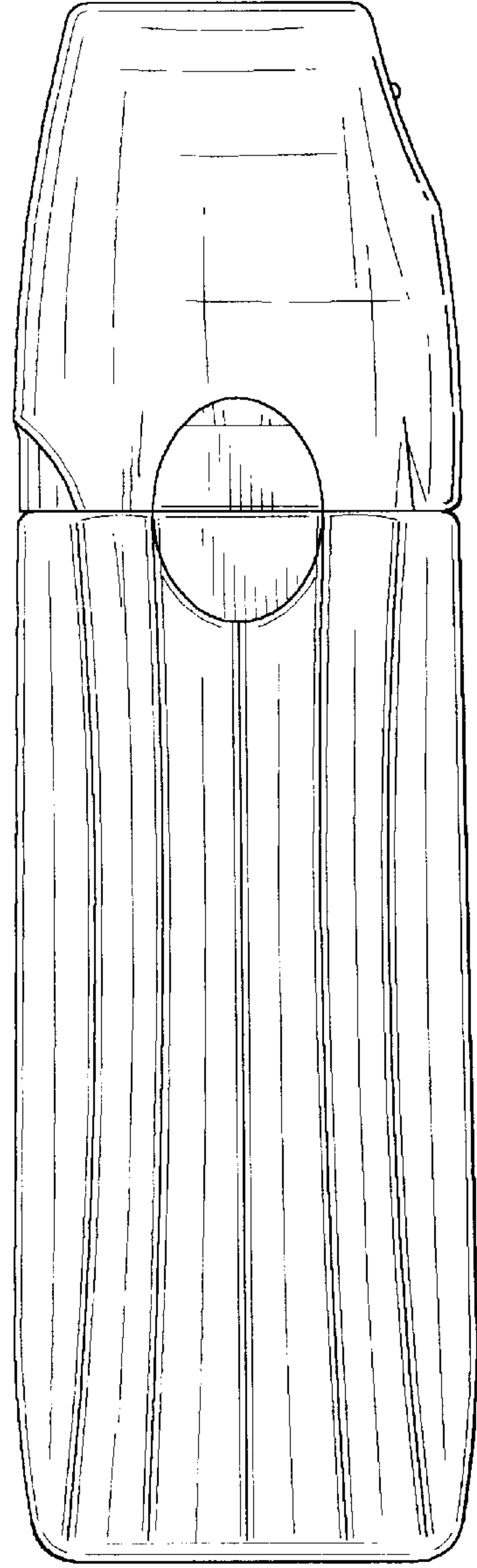




*FIG. 1*



*FIG. 2*



*FIG. 3*

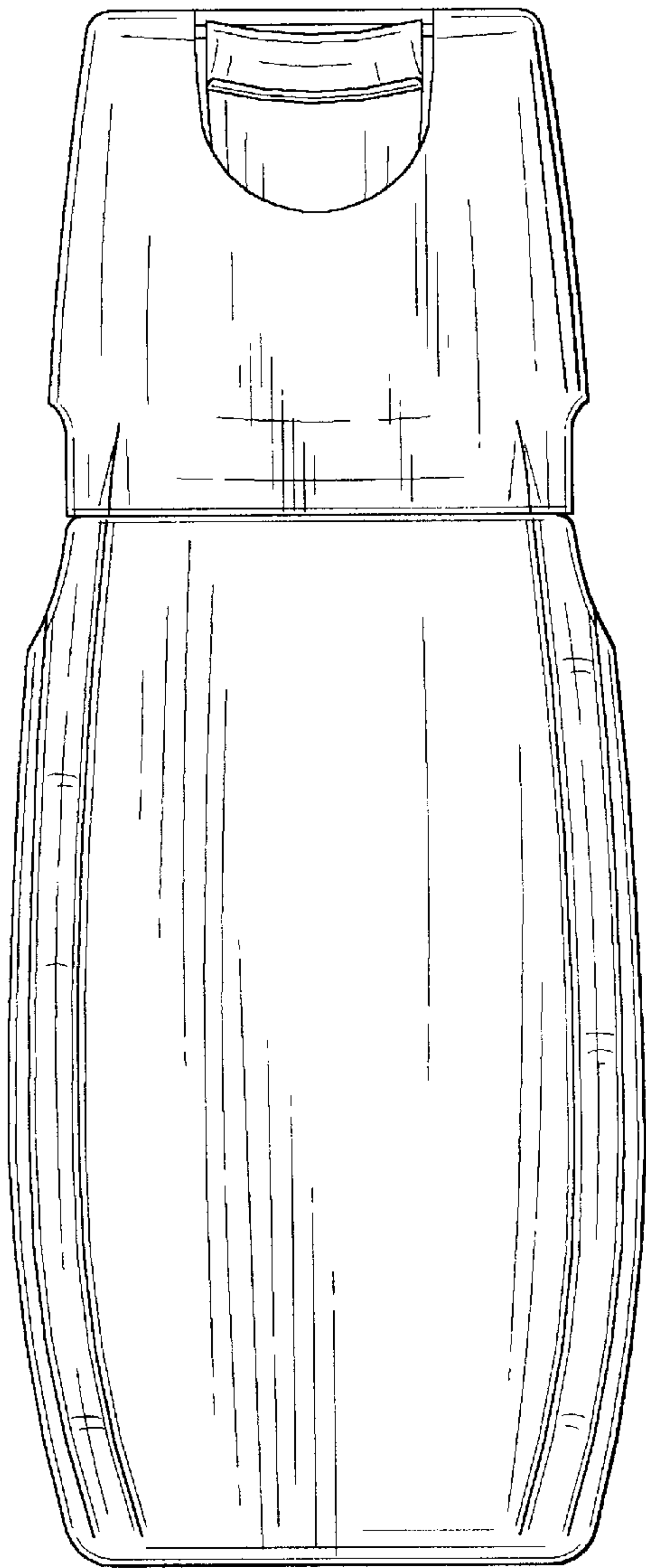


FIG. 4

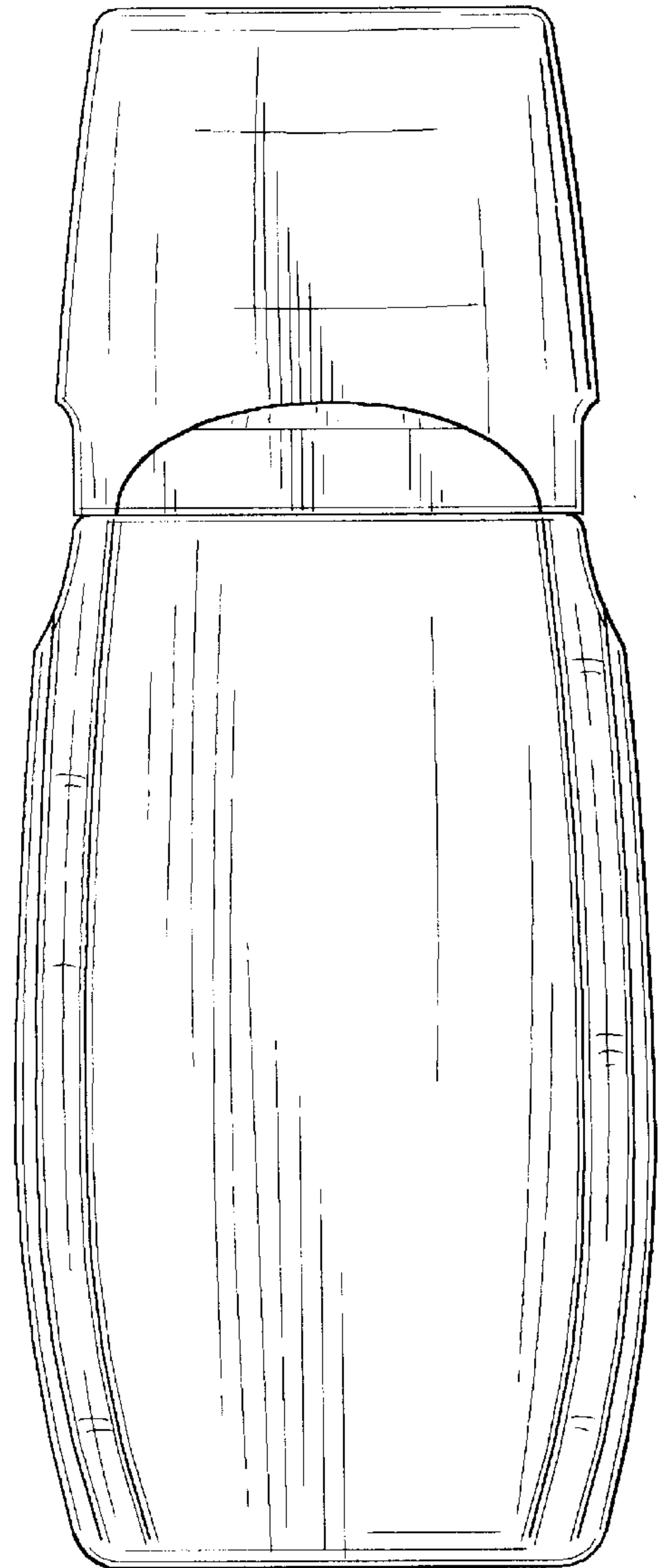
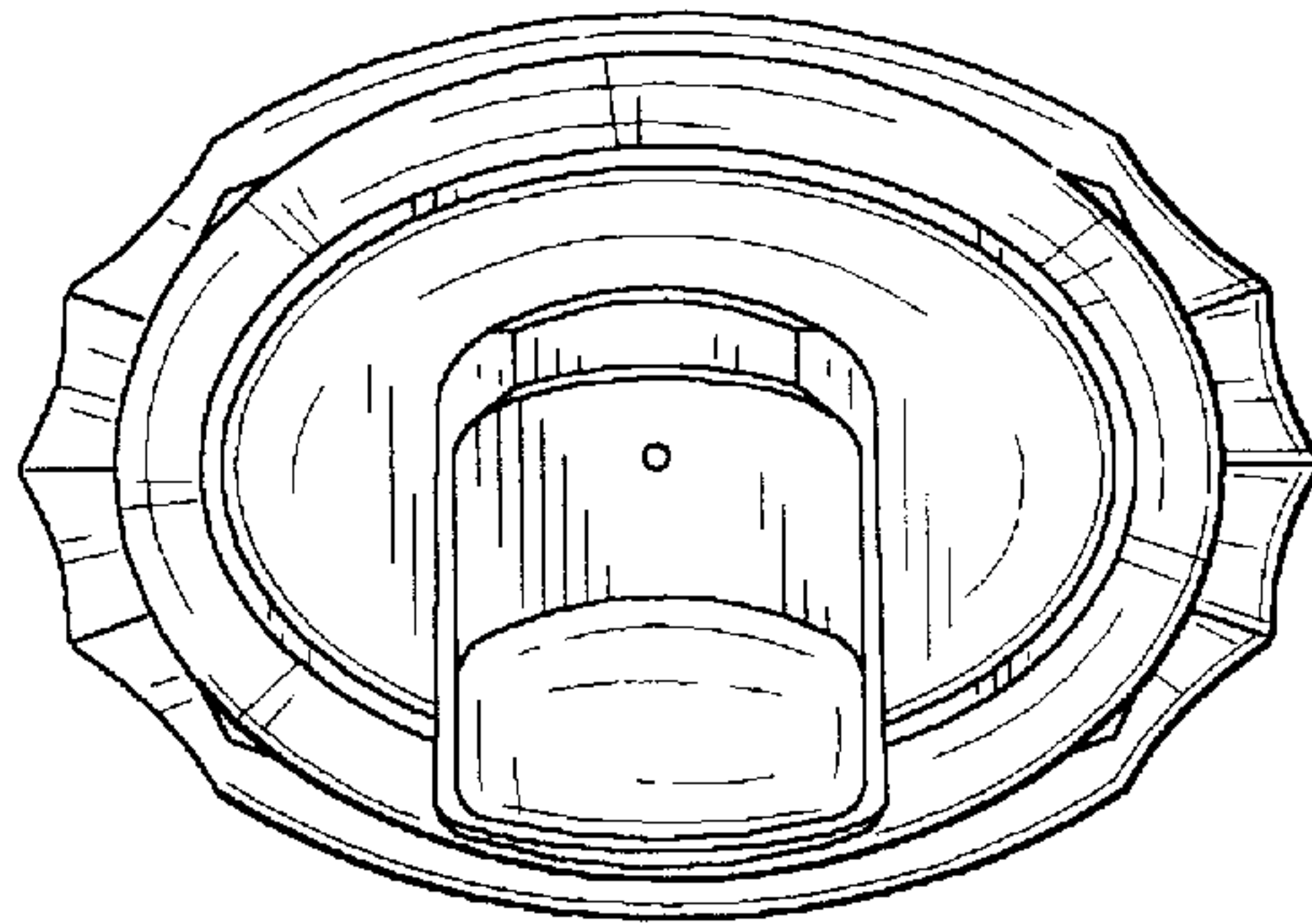
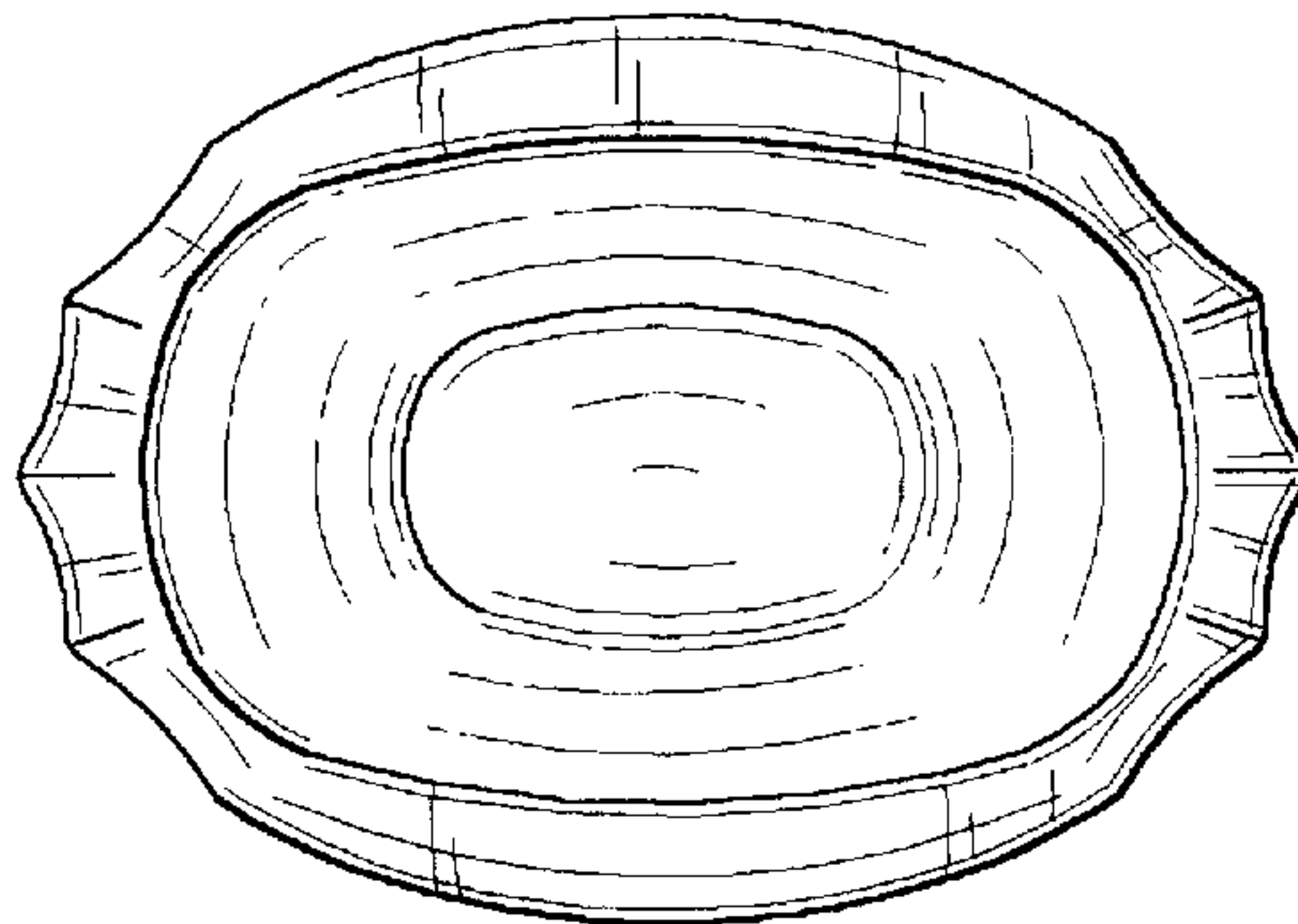


FIG. 5



*FIG. 6*



*FIG. 7*