



US00D400782S

**United States Patent** [19]  
**Nakamura**

[11] **Patent Number: Des. 400,782**  
[45] **Date of Patent: \*\*Nov. 10, 1998**

[54] **CLAMP**  
[75] Inventor: **Toshinobu Nakamura**, Tokyo, Japan  
[73] Assignee: **Shinagawa Shoko Co., Ltd.**, Tokyo, Japan  
[\*\*] Term: **14 Years**

3,515,363	6/1970	Fisher .....	248/71
3,516,631	6/1970	Santucci .....	248/71
3,805,340	4/1974	Bush .	
4,470,179	9/1984	Gollin et al. ....	24/543
4,762,296	8/1988	Kraus et al. ....	248/74.2
5,109,576	5/1992	Teekell .....	24/30.5 R
5,230,489	7/1993	White et al. ....	24/543

[21] Appl. No.: **65,675**  
[22] Filed: **Nov. 19, 1996**

*Primary Examiner*—B. J. Bullock  
*Attorney, Agent, or Firm*—Banner & Witcoff, Ltd.

[30] **Foreign Application Priority Data**

Oct. 4, 1996 [JP] Japan ..... 8-29653

[57] **CLAIM**

The ornamental design for a clamp, as shown and described.

[51] **LOC (6) Cl.** ..... **08-08**  
[52] **U.S. Cl.** ..... **D8/395; D8/1; D8/396; D9/434**  
[58] **Field of Search** ..... D8/395, 396, 1; D9/434; 24/489, 499, 505, 518, 543, 30.5 R; 47/42, 47; 248/71, 74.2

**DESCRIPTION**

FIG. 1 is a perspective front view of a clamp embodying the present design;  
FIG. 2 is a perspective rear view thereof;  
FIG. 3 is a front view thereof;  
FIG. 4 is a top plan view thereof;  
FIG. 5 is a left side view thereof;  
FIG. 6 is a right side view thereof;  
FIG. 7 is a rear view thereof;  
FIG. 8 is a bottom view thereof; and,  
FIG. 9 is a front view thereof, in its closed position of use.

[56] **References Cited**

**U.S. PATENT DOCUMENTS**

D. 218,515 8/1970 Tomaivolo .  
3,494,072 2/1970 Olson .

**1 Claim, 2 Drawing Sheets**

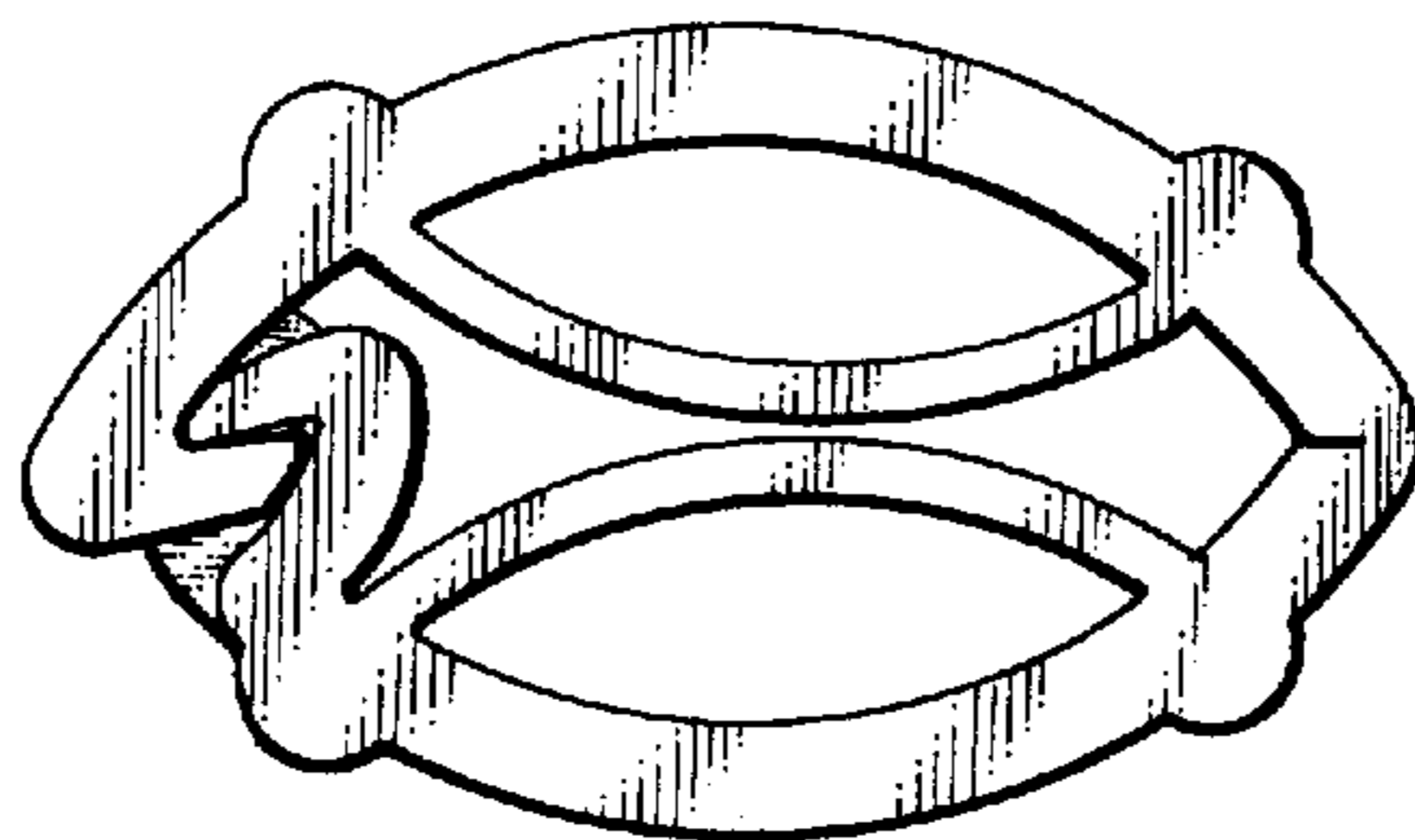


FIG. 1

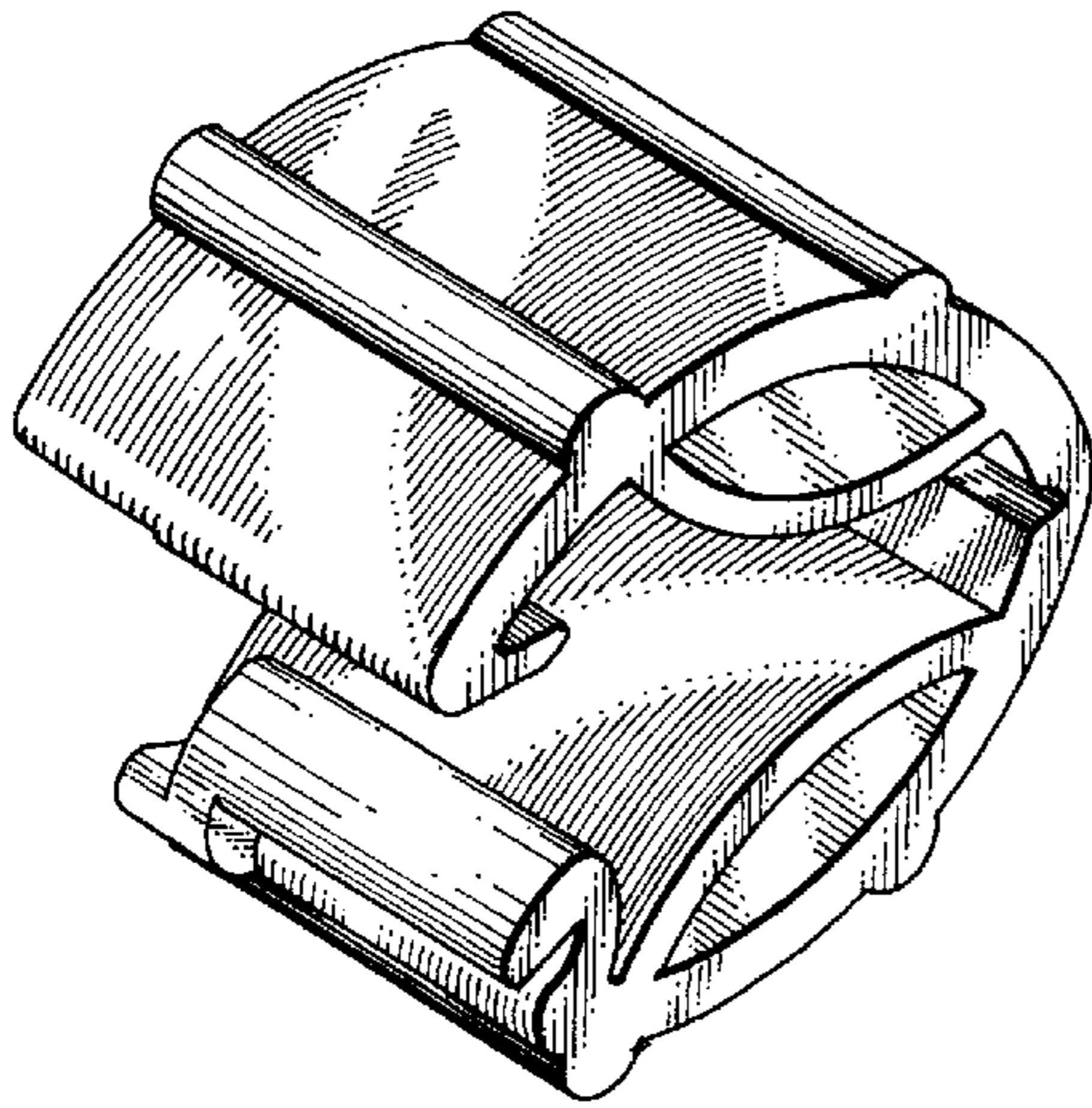


FIG. 2

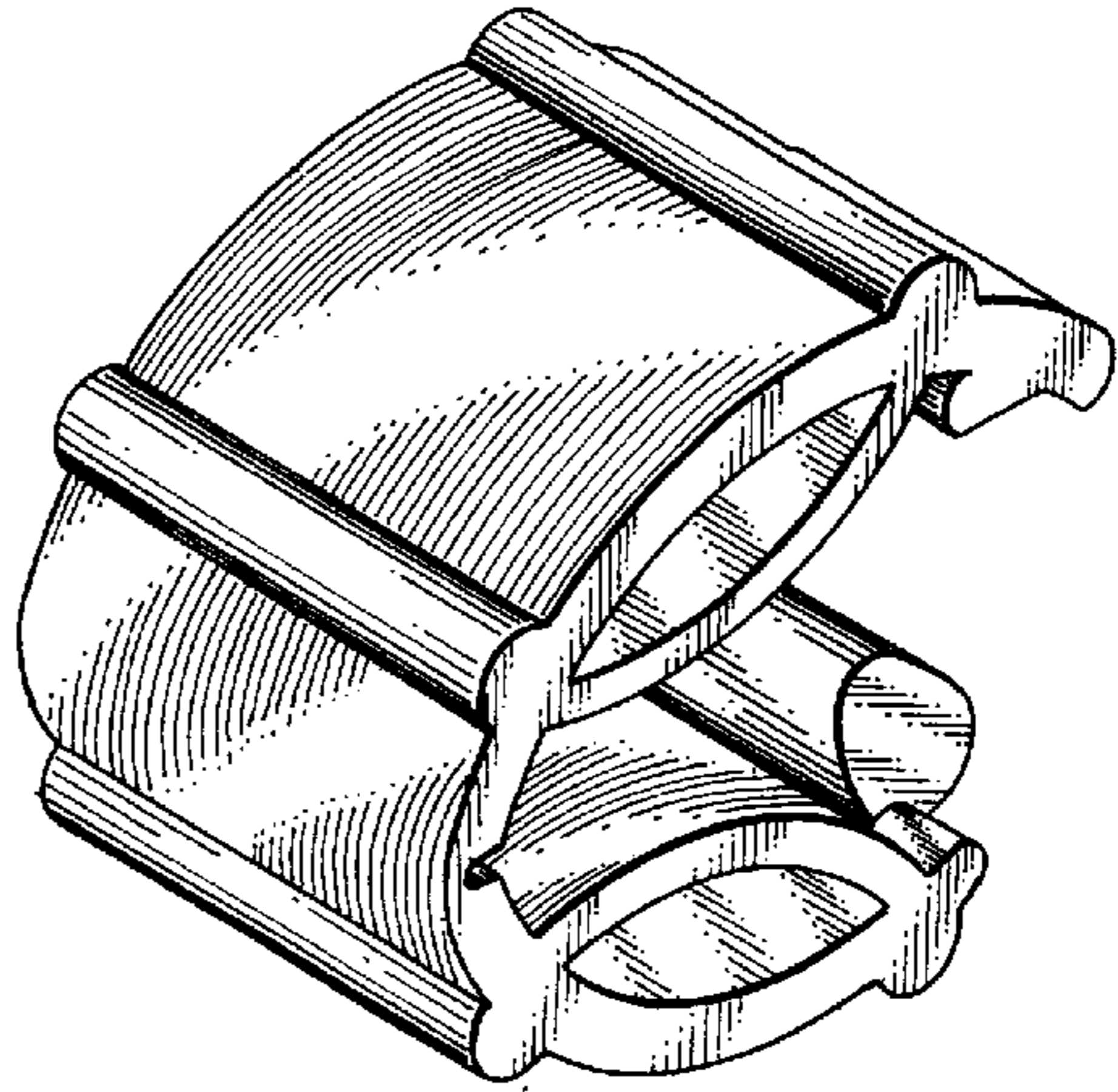


FIG. 3

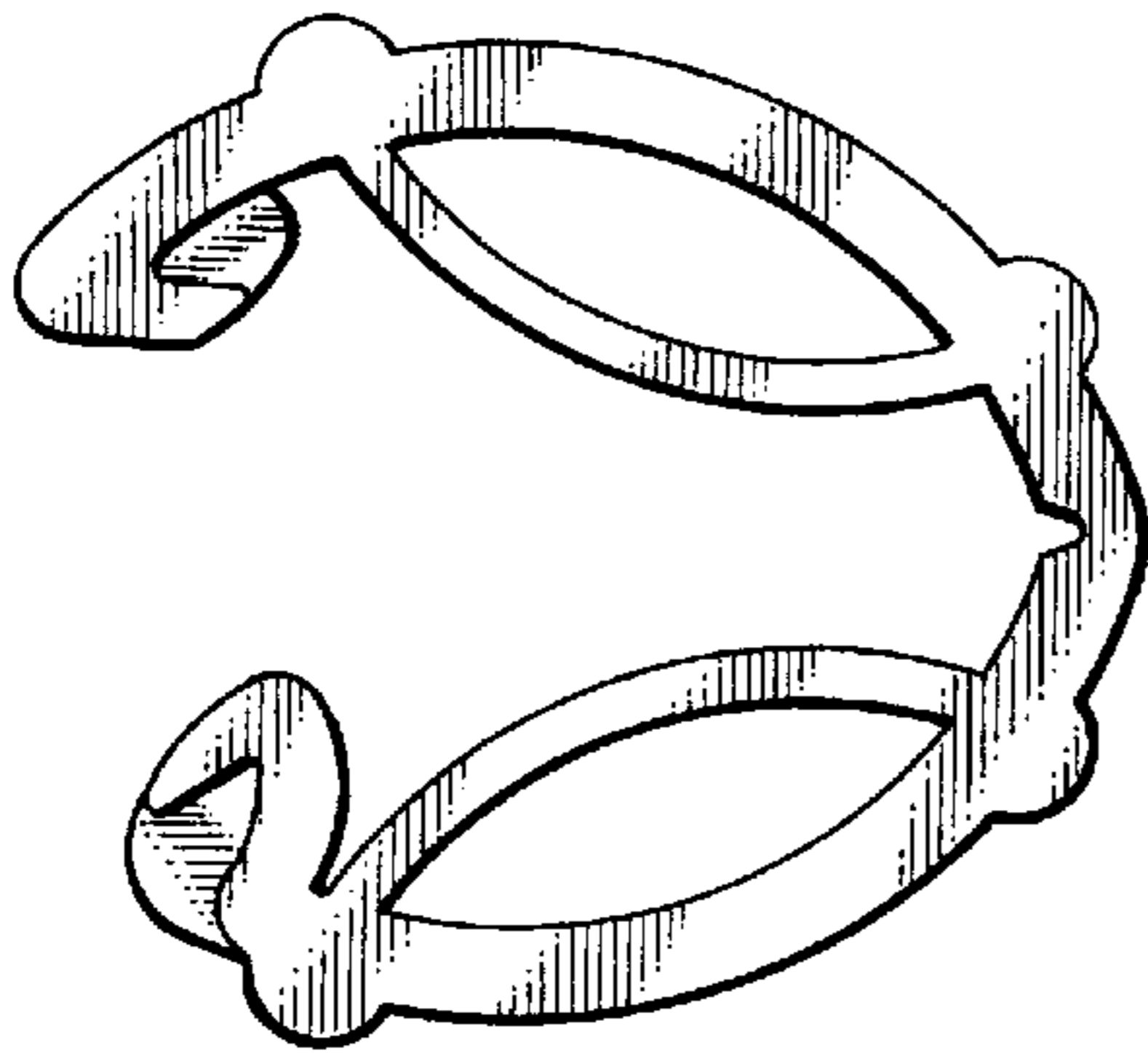


FIG. 4

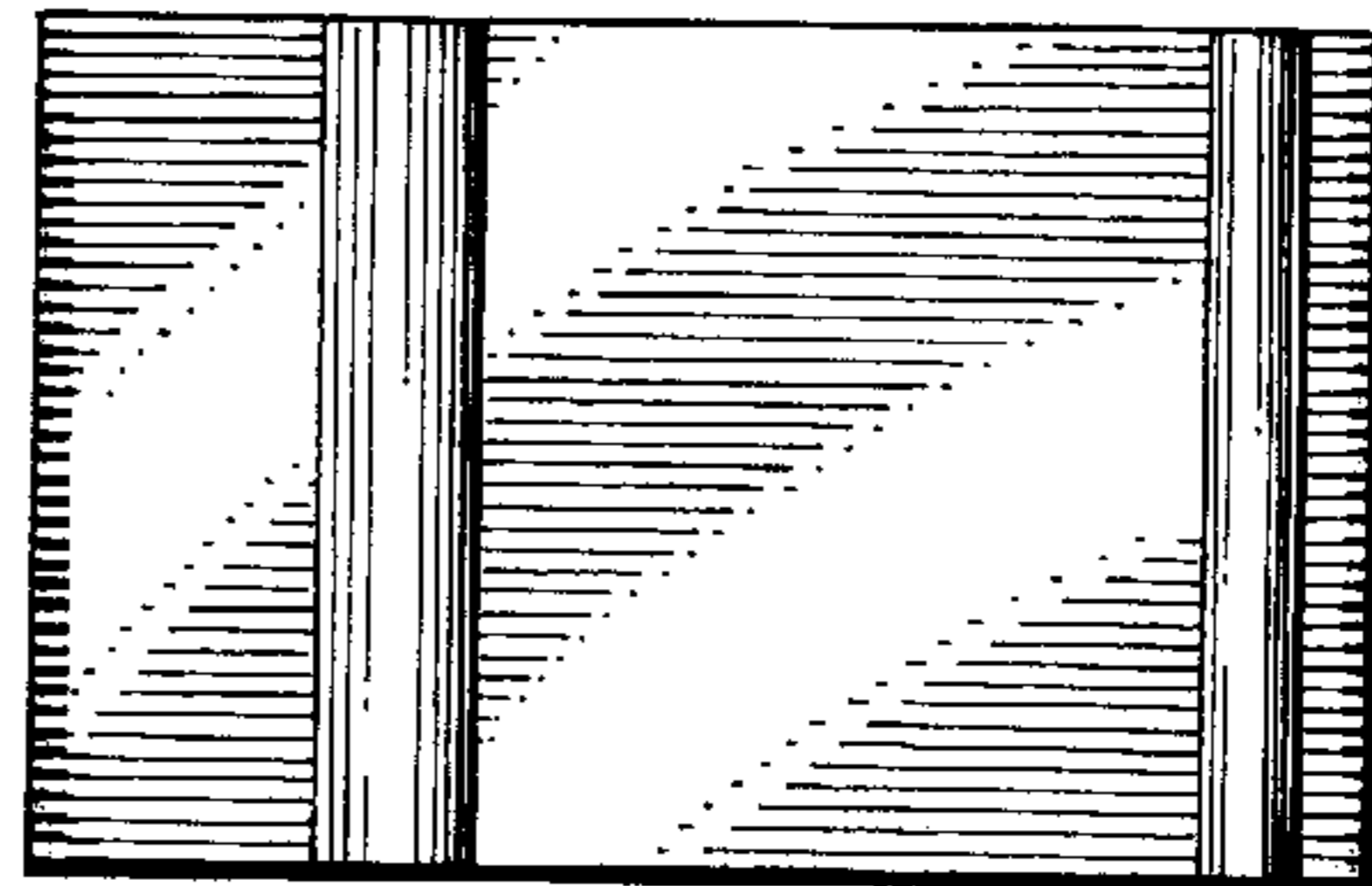


FIG. 5

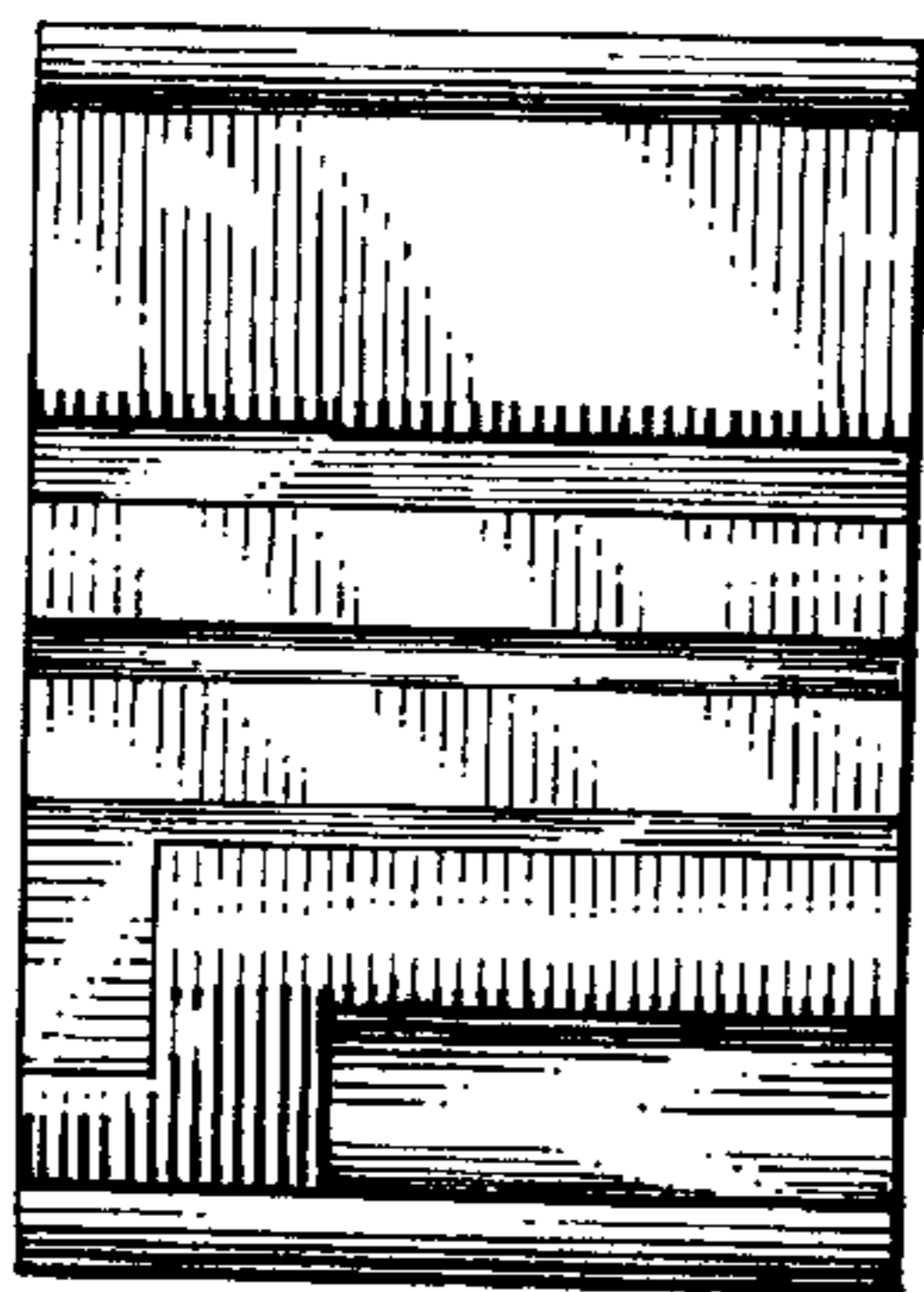


FIG. 6

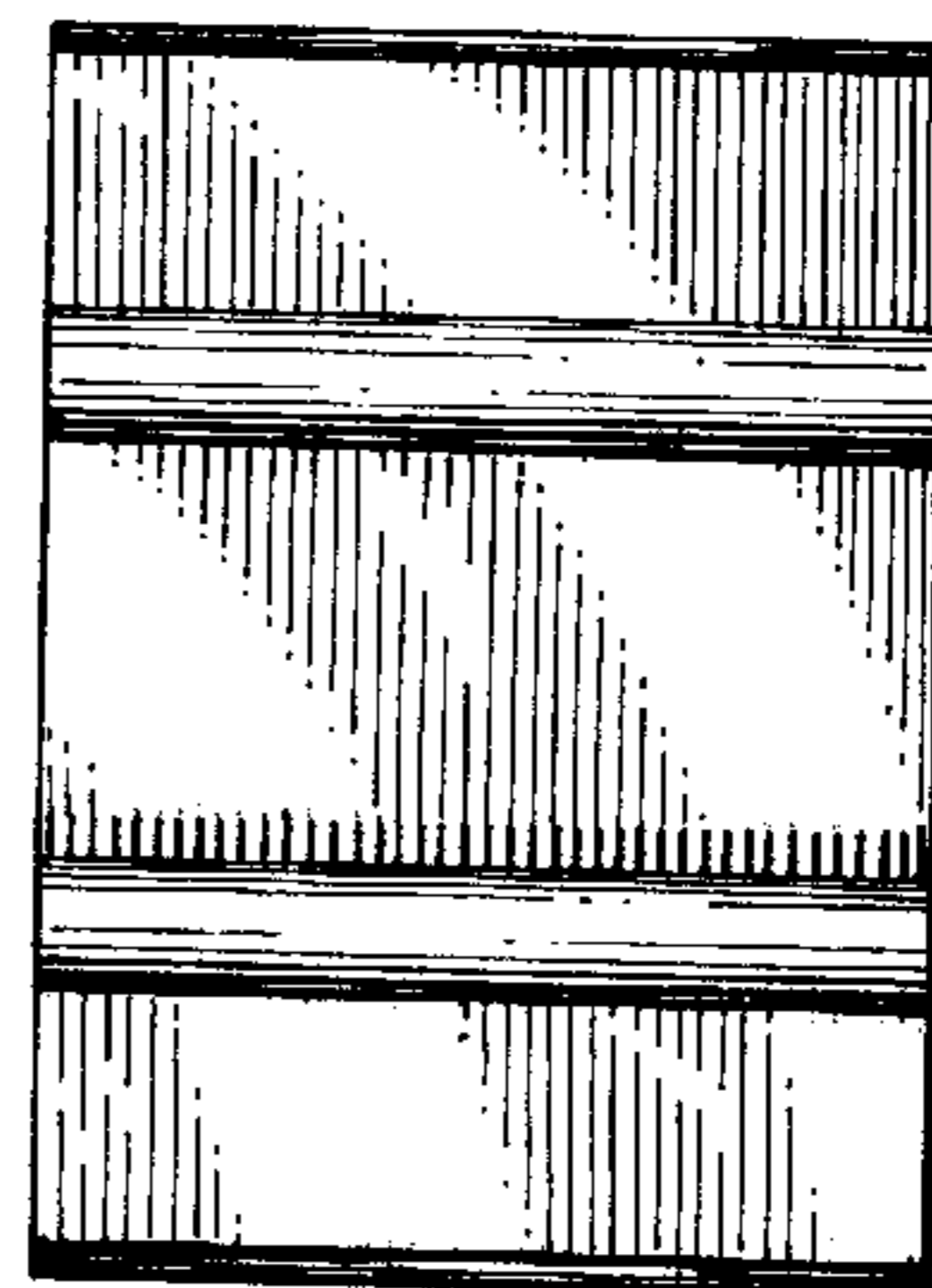


FIG. 7

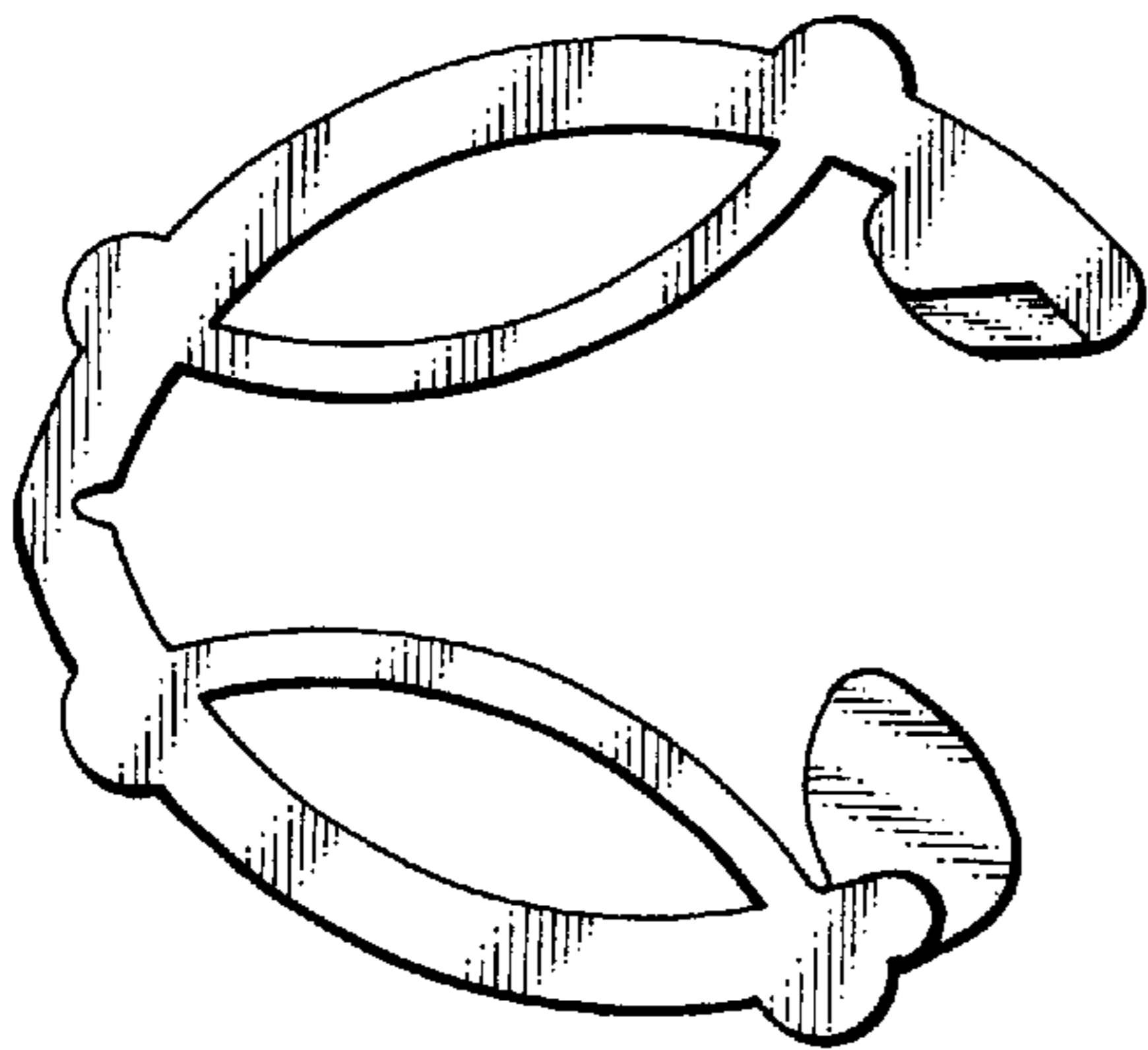


FIG. 8

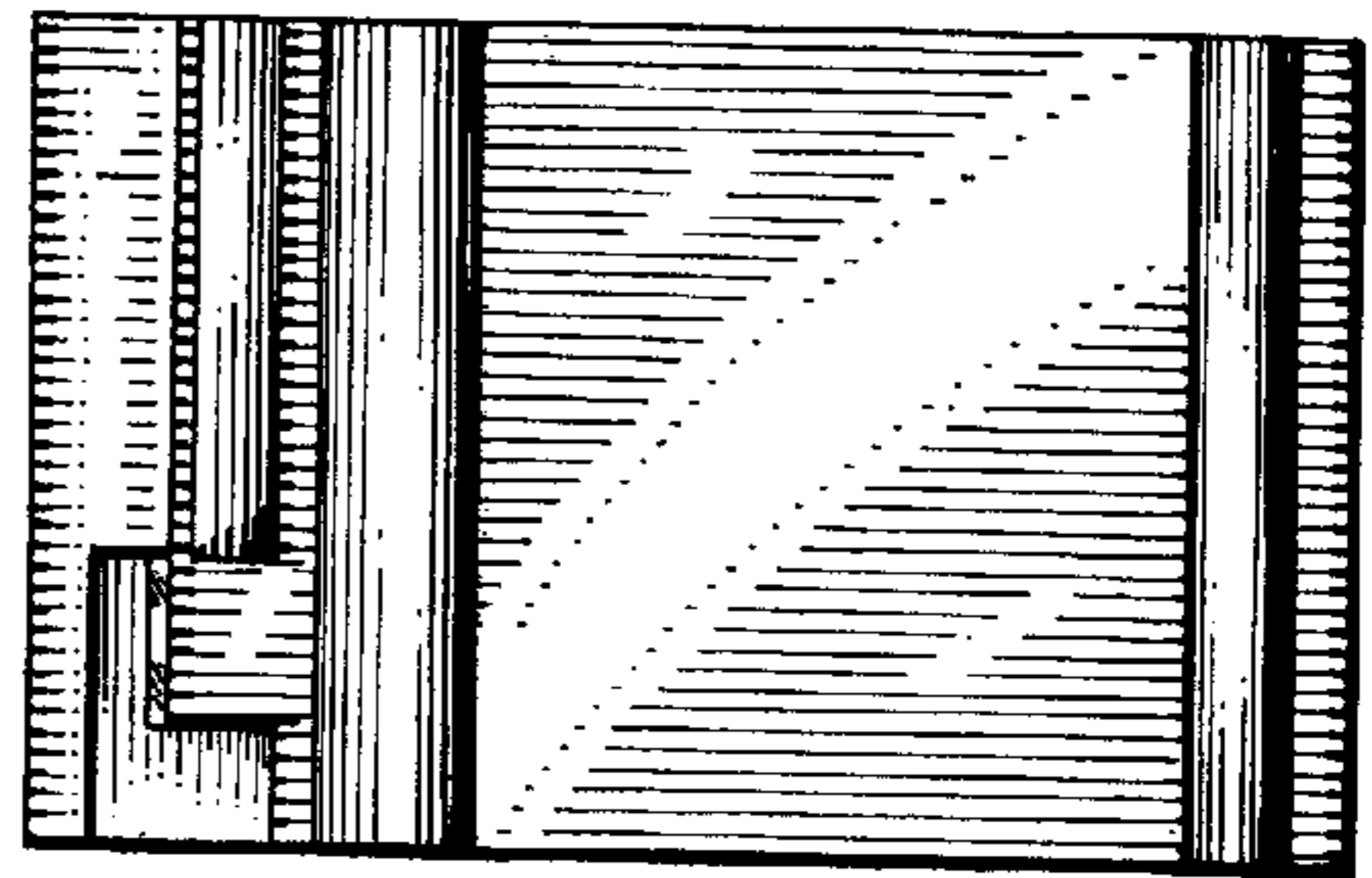


FIG. 9

