



US00D400781S

# United States Patent [19]

Wilkening et al.

[11] **Patent Number: Des. 400,781**

[45] **Date of Patent: \*\*Nov. 10, 1998**

[54] **HANGING BRACKET**

D. 346,735 5/1994 Gilsch ..... D8/381 X  
D. 369,293 4/1996 Gusdorf et al. .... D8/381

[75] Inventors: **Steven R. Wilkening**, Grandville, Mich.; **Kurt T. Peterson**, Mt. Prospect, Ill.; **Walter B. Herbst**, Lake Forest, Ill.; **Aaron B. Eiger**, Evanston, Ill.

*Primary Examiner*—Holly Baynham  
*Attorney, Agent, or Firm*—Warner Norcross & Judd

[73] Assignee: **ODL, Incorporated**, Zeeland, Mich.

[\*\*] Term: **14 Years**

[57] **CLAIM**

The ornamental design for a hanging bracket, as shown and described.

[21] Appl. No.: **57,008**

**DESCRIPTION**

[22] Filed: **Jul. 15, 1996**

FIG. 1 is a perspective view of the hanging bracket embodying the new design;

[51] **LOC (6) Cl. .... 08-05**

FIG. 2 is a right side elevational view thereof, the left side elevational view being a mirror image;

[52] **U.S. Cl. .... D8/381**

[58] **Field of Search** ..... D8/380, 381; 248/235, 248/237, 243, 245, 247, 249

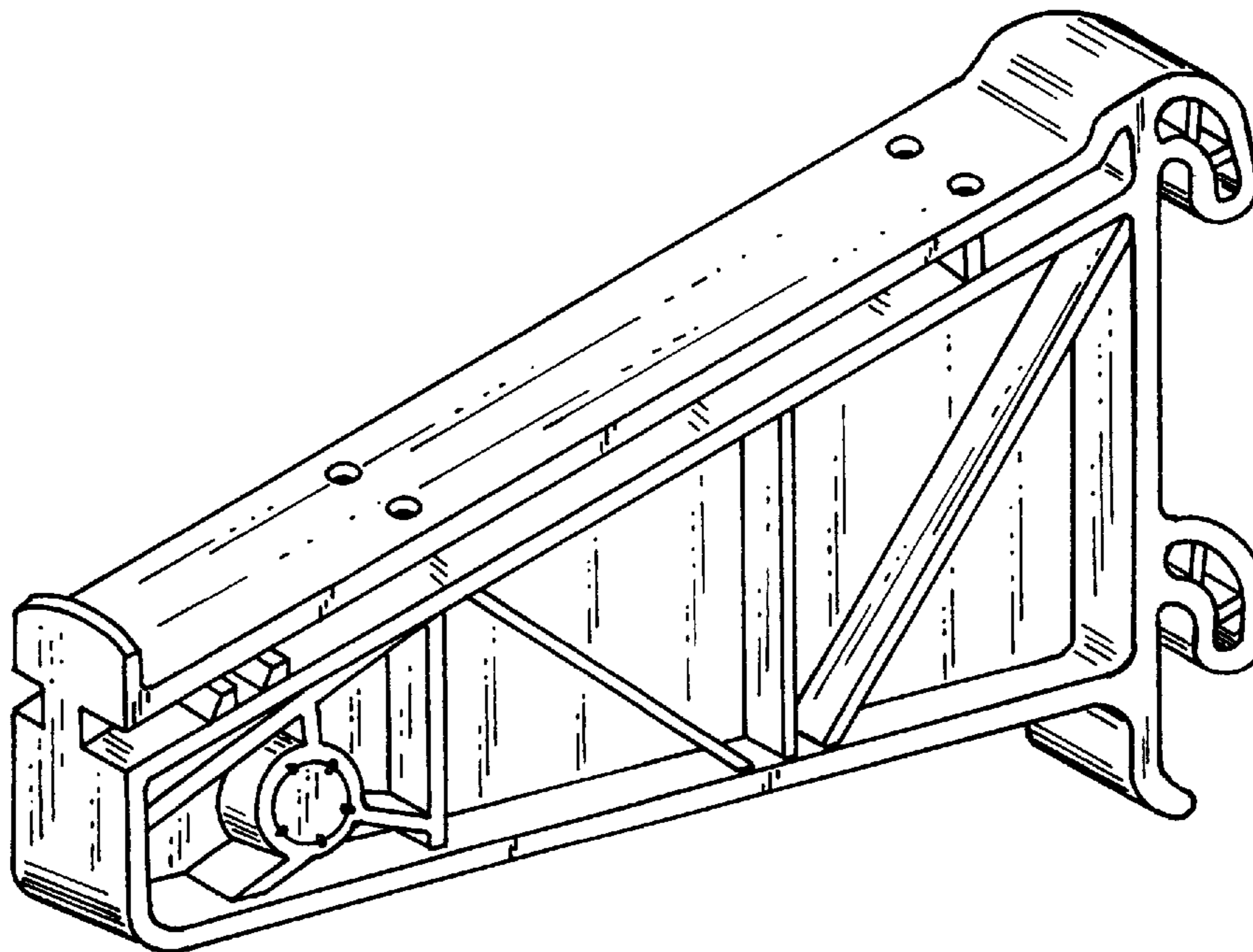
FIG. 3 is a rear elevational view thereof;  
FIG. 4 is a front elevational view thereof;  
FIG. 5 is a top plan view thereof; and,  
FIG. 6 is a bottom plan view thereof.

[56] **References Cited**

**U.S. PATENT DOCUMENTS**

D. 340,405 10/1993 Anderson ..... D8/381

**1 Claim, 2 Drawing Sheets**



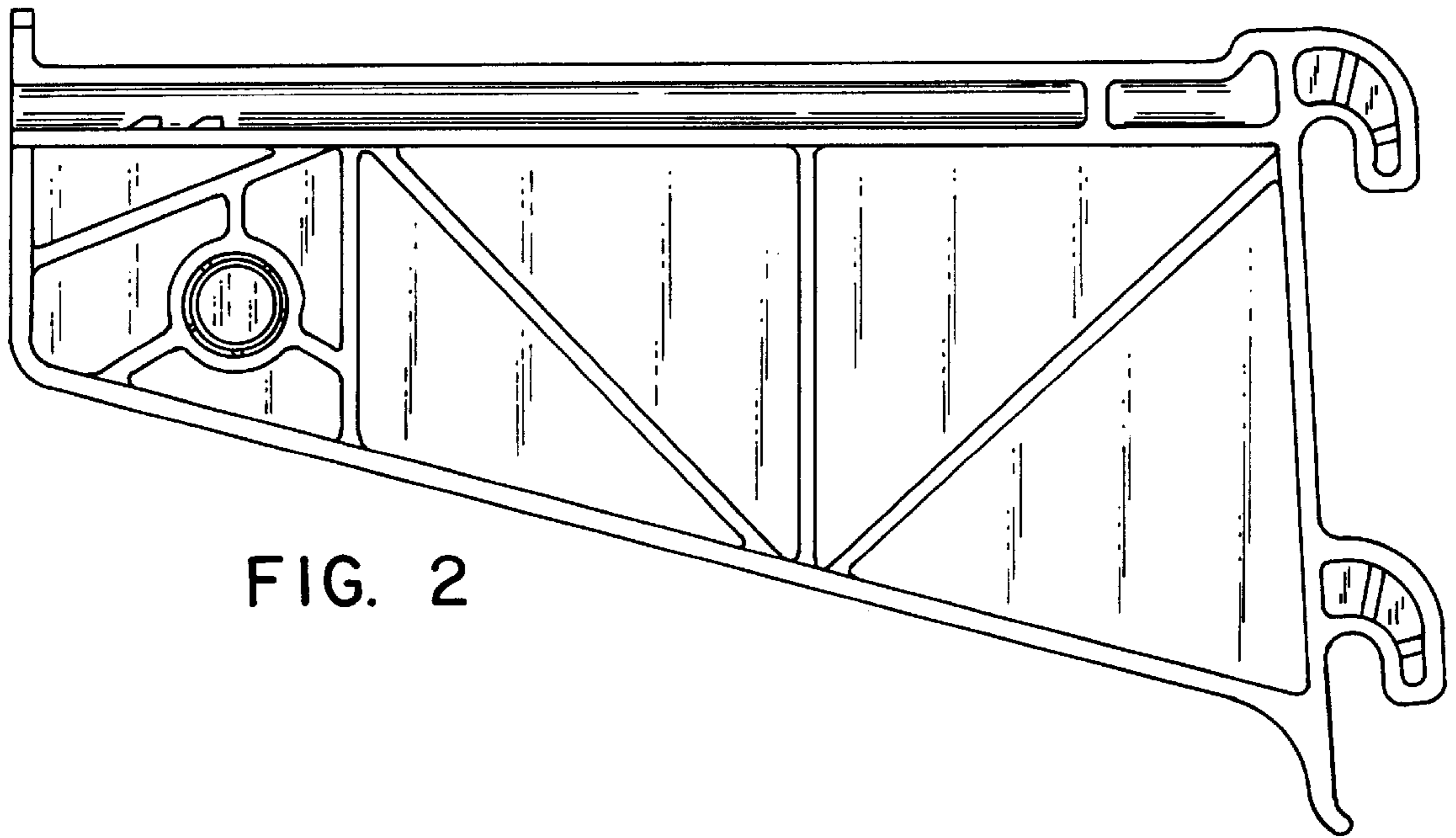


FIG. 2

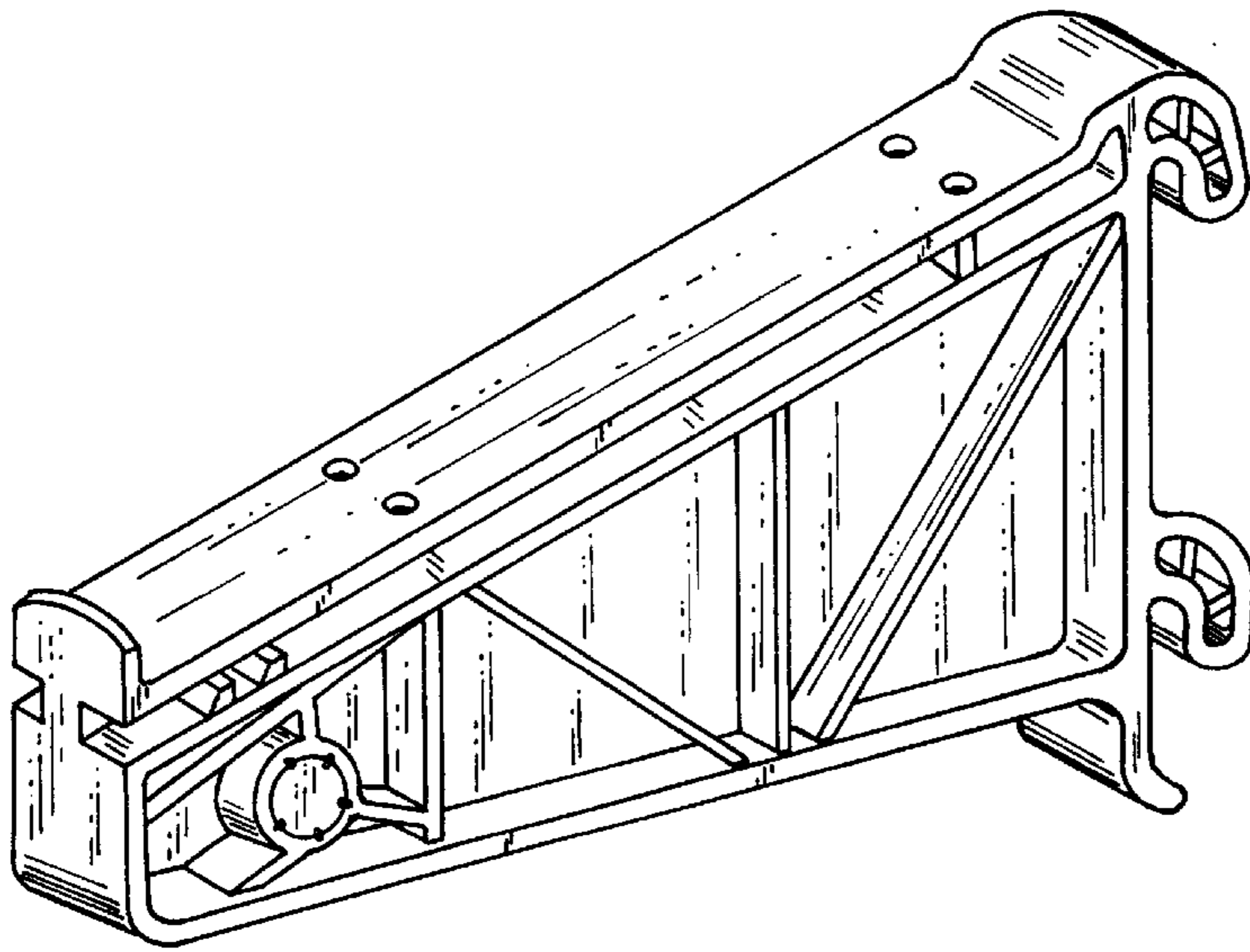


FIG. 1

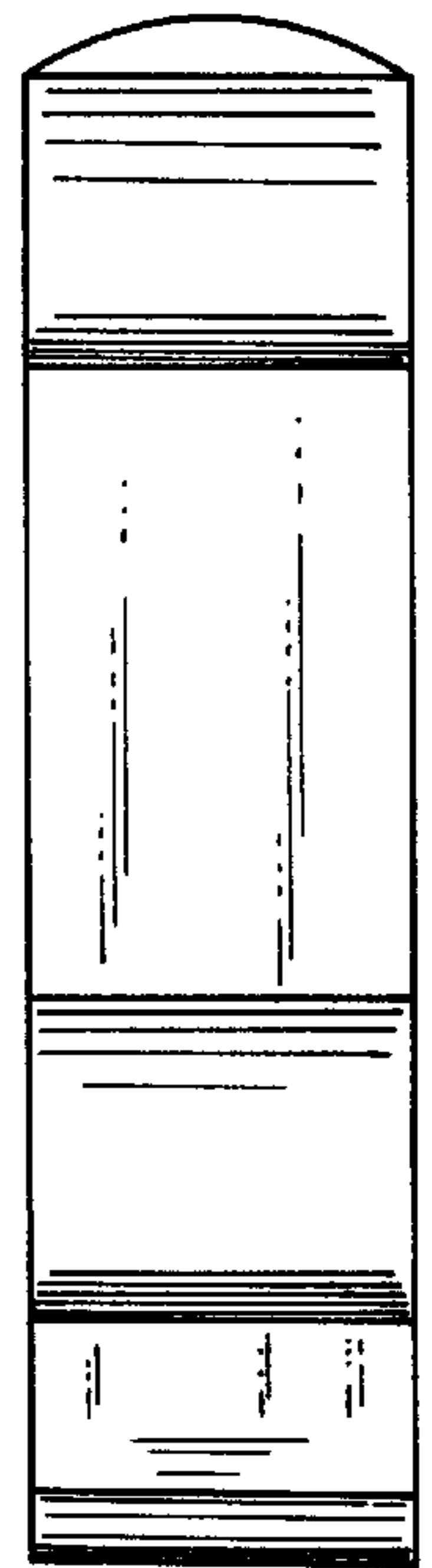


FIG. 3

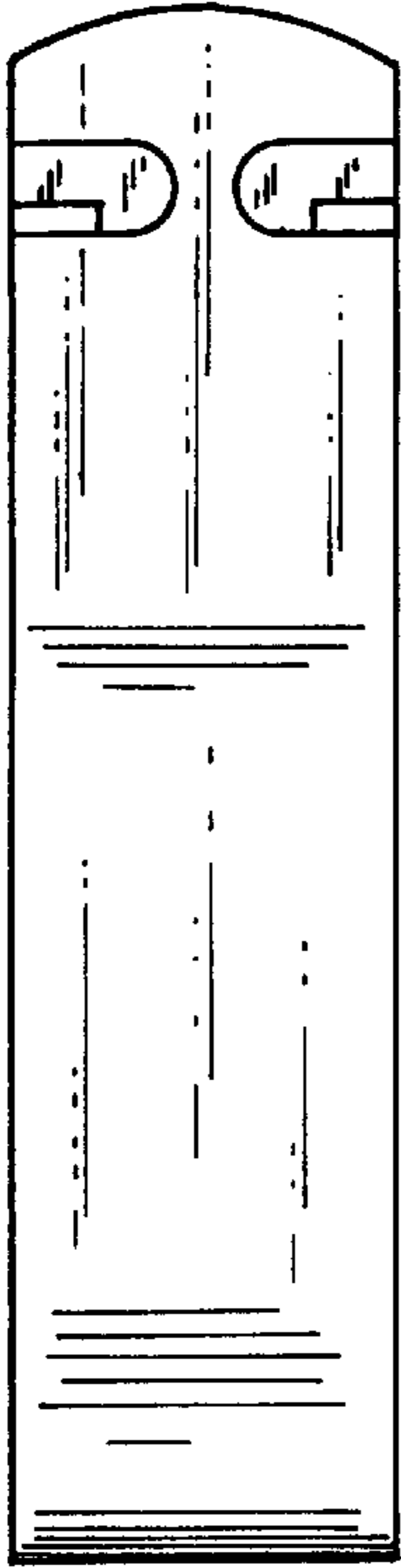


FIG. 4

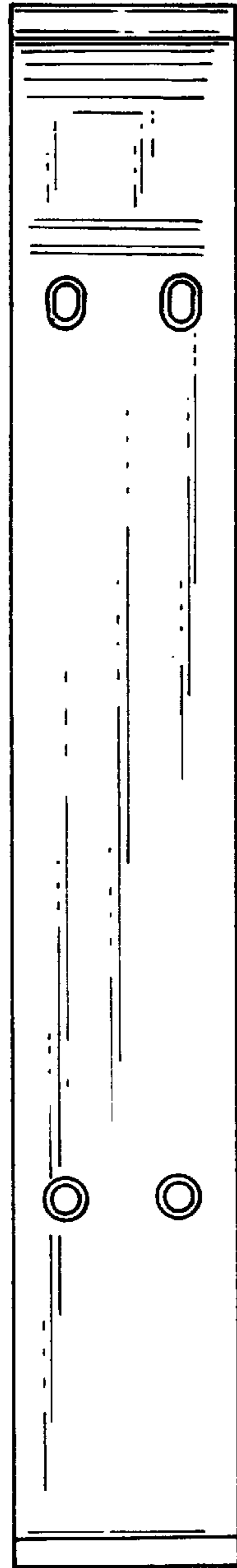


FIG. 5

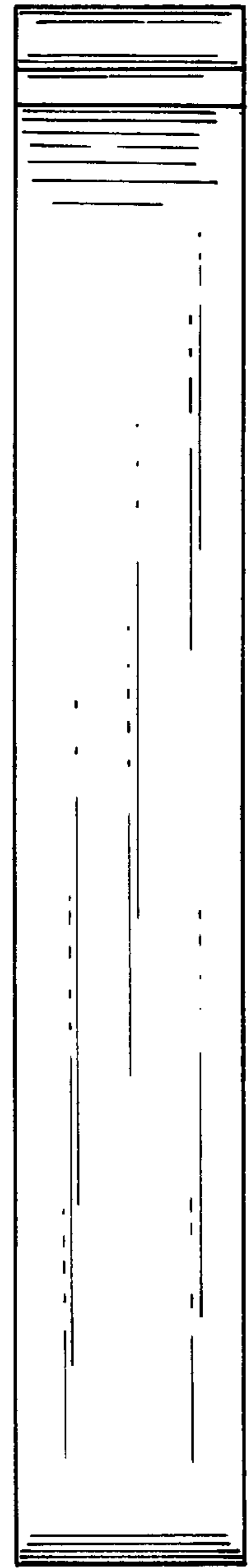


FIG. 6