



US00D400780S

United States Patent [19]
Wurdack

[11] **Patent Number: Des. 400,780**

[45] **Date of Patent: **Nov. 10, 1998**

[54] **TRIANGULAR-SHAPED SLIDE**

5,469,599 11/1995 Wurdack 16/42 R
5,557,824 9/1996 Bushey 16/42 R

[76] Inventor: **Roy A. Wurdack**, 9302 Rockshire La.,
Chattanooga, Tenn. 37421

Primary Examiner—Holly Baynham
Attorney, Agent, or Firm—Grace J. Fishel

[**] Term: **14 Years**

[57] **CLAIM**

[21] Appl. No.: **68,998**

The ornamental design for a triangular-shaped slide, as shown and described.

[22] Filed: **Apr. 23, 1997**

DESCRIPTION

[51] **LOC (6) Cl.** **08-05**

[52] **U.S. Cl.** **D8/374**

[58] **Field of Search** D8/374; 248/188.9,
248/346.01, 346.11; 16/17.1, 42 R; D7/624

FIG. 1 is a perspective view of a triangular-shaped slide showing my new design in use;
FIG. 2 is an enlarged top plan view thereof;
FIG. 3 is a bottom end view thereof as viewed in FIG. 2;
FIG. 4 is a top end view thereof as viewed in FIG. 2;
FIG. 5 is a side edge view thereof as viewed in FIG. 2; and,
FIG. 6 is a bottom plan view thereof.

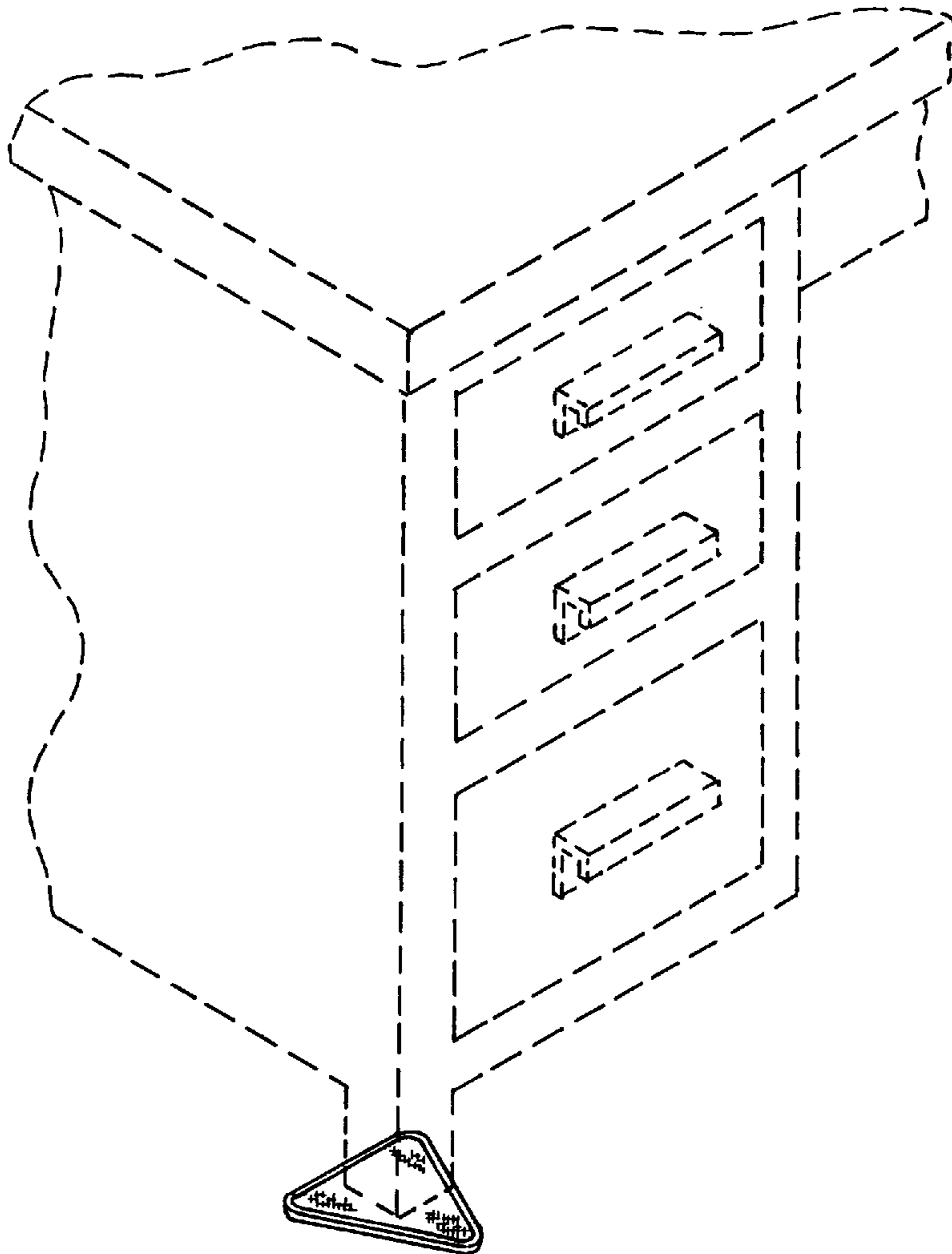
[56] **References Cited**

U.S. PATENT DOCUMENTS

882,859	3/1908	Ammerman	16/17.1
922,703	5/1909	Knapp	16/17.1
1,430,981	10/1922	Goldthwaite	16/17.1
3,462,111	8/1969	Stokes	248/346
3,623,184	11/1971	Mazur	16/42
5,220,705	6/1993	Bushey	16/42 R

The broken line showing of fragmented furniture is for illustrative purposes only and forms no part of the claimed design.

1 Claim, 2 Drawing Sheets



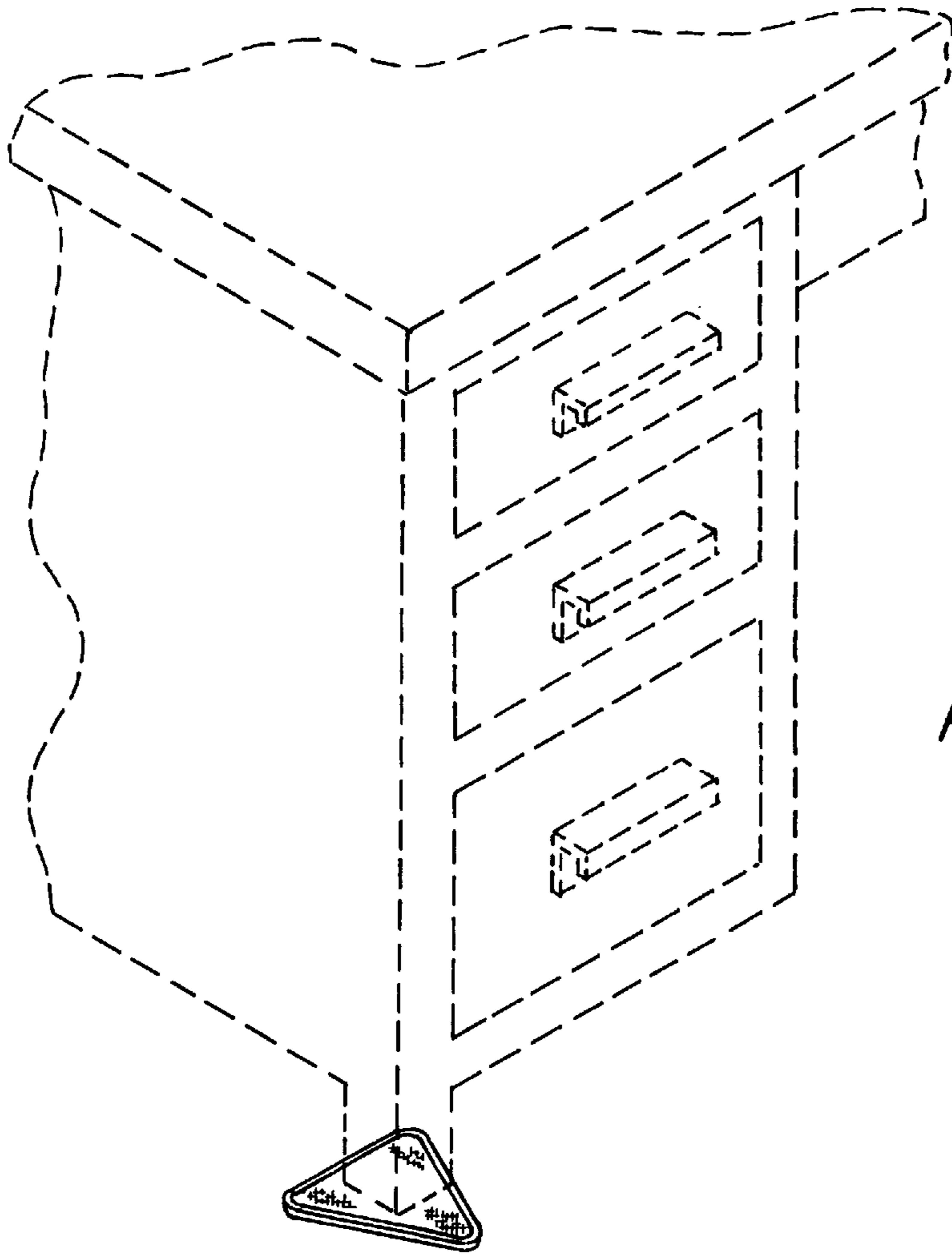
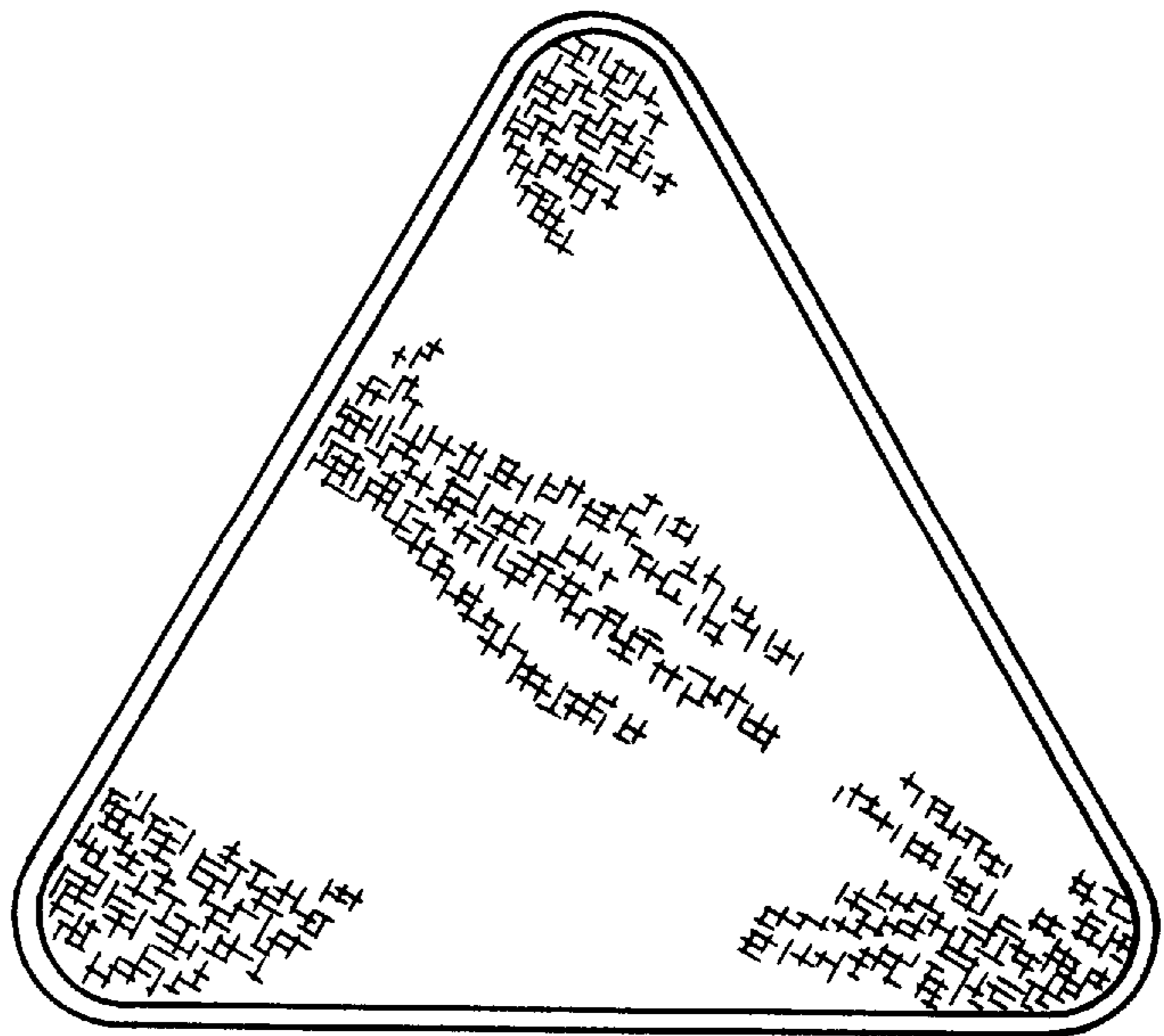


FIG. 1

FIG. 2



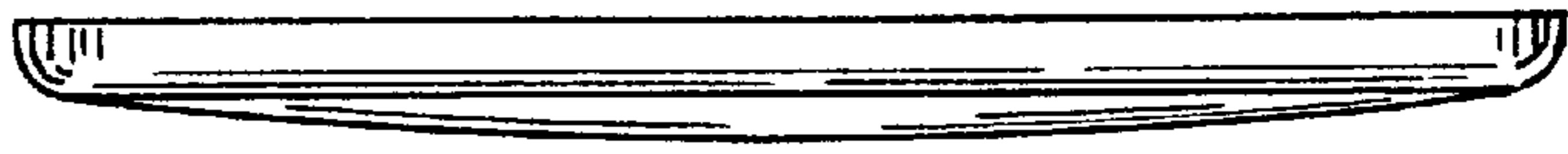


FIG. 3



FIG. 5

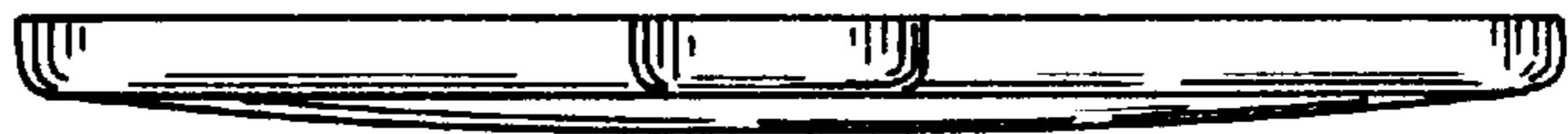


FIG. 4

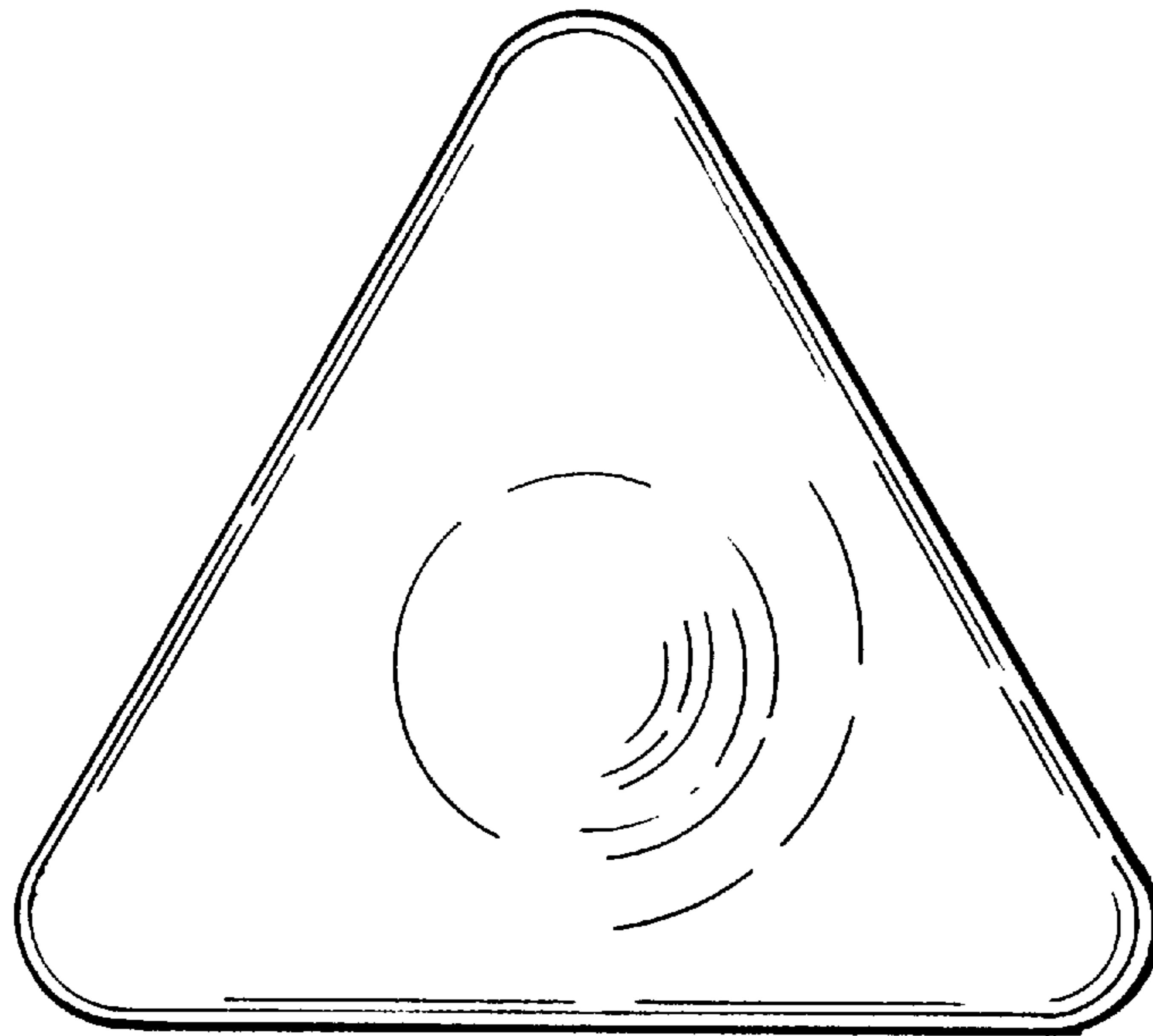


FIG. 6