



US00D400775S

# United States Patent [19]

Hsu

[11] **Patent Number: Des. 400,775**

[45] **Date of Patent: \*\*Nov. 10, 1998**

[54] **TOOL**

[76] **Inventor: Yu-Tang Hsu**, No.15, Yi Chang East Road, Tai-Ping, Taichung Hsien, Taiwan

[\*\*] **Term: 14 Years**

[21] **Appl. No.: 74,261**

[22] **Filed: Jul. 15, 1997**

[51] **LOC (6) Cl. .... 08-04**

[52] **U.S. Cl. .... D8/107; D3/294; D8/83; D8/85**

[58] **Field of Search .... D8/107, 82, 83, D8/84, 85, 86; D3/294, 295, 905**

### [56] **References Cited**

#### U.S. PATENT DOCUMENTS

D. 331,498	12/1992	Chen	.....	D8/83
D. 385,172	10/1997	Bramsiepe et al.	.....	D8/85
5,517,885	5/1996	Feng	.....	81/490
5,522,291	6/1996	Liu	.....	81/490
5,566,596	10/1996	Lin	.....	81/490

*Primary Examiner*—Philip S. Hyder  
*Attorney, Agent, or Firm*—Bacon & Thomas

### [57] **CLAIM**

The ornamental design for a tool, as shown and described.

### **DESCRIPTION**

FIG. 1 is a front elevational view of a tool showing my new design;  
 FIG. 2 is a rear elevational view thereof;  
 FIG. 3 is a top plan view thereof;  
 FIG. 4 is a bottom plan view thereof;  
 FIG. 5 is a right side elevational view thereof, wherein the left side view is a mirror image;  
 FIG. 6 is a left front perspective view thereof;  
 FIG. 7 is a perspective view thereof, wherein the broken line showings of the bits are for illustrative purposes only and form no part of the claimed design; and,  
 FIG. 8 is a perspective view thereof, showing the tool in a closed position, wherein the broken line showing of the bit is for illustrative purposes only and forms no part of the claimed design.

**1 Claim, 6 Drawing Sheets**

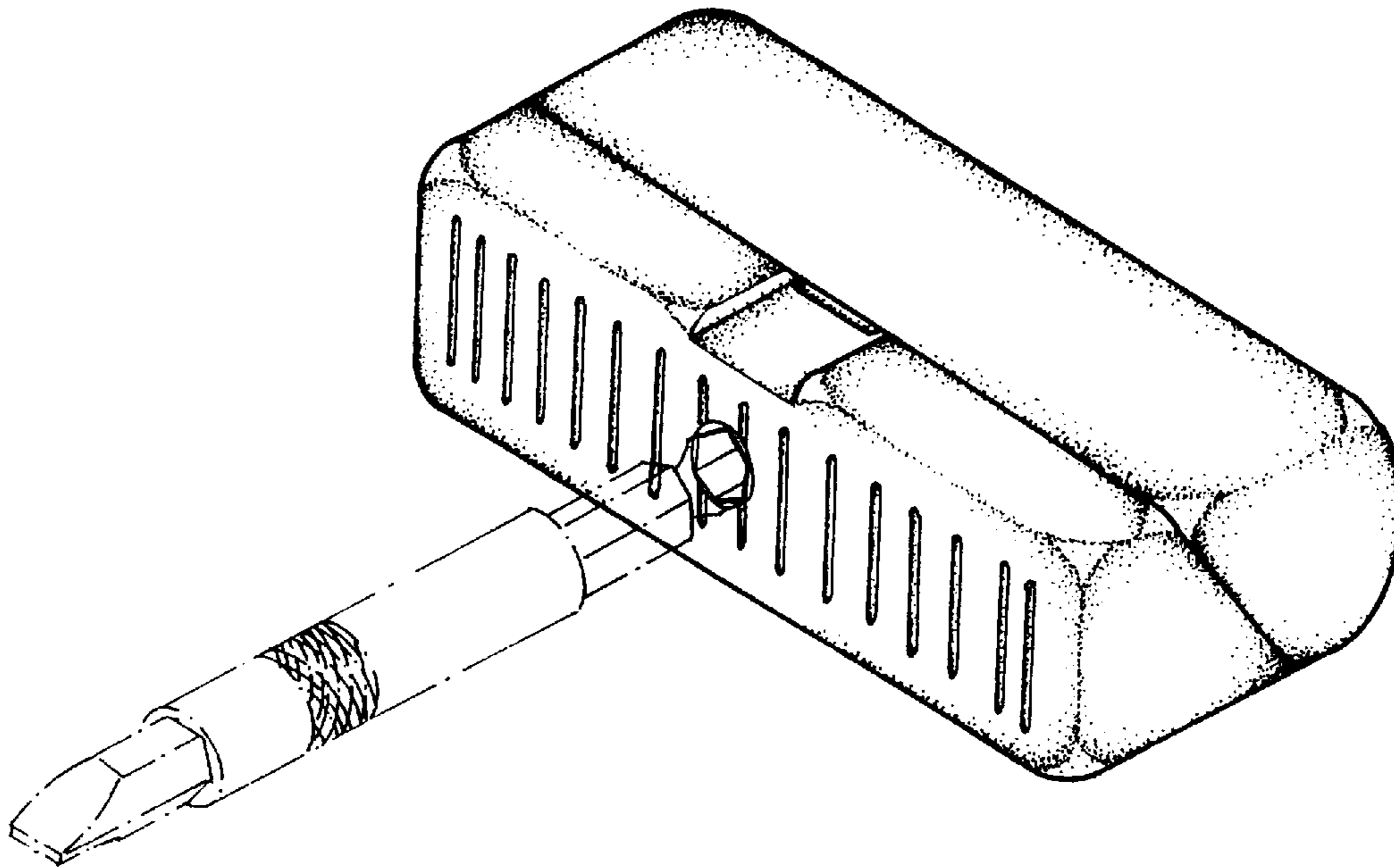




FIG.2



FIG.1

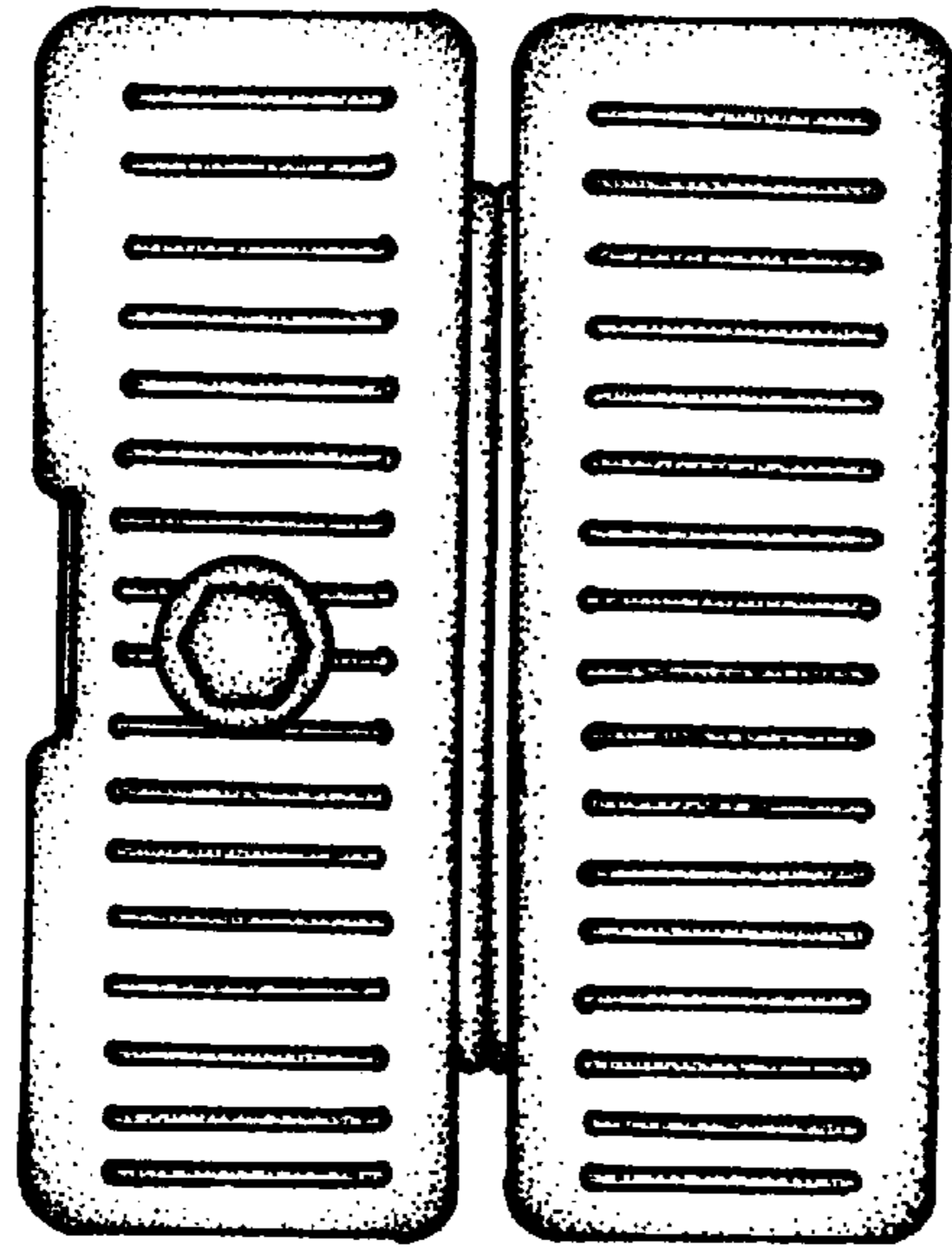


FIG.4

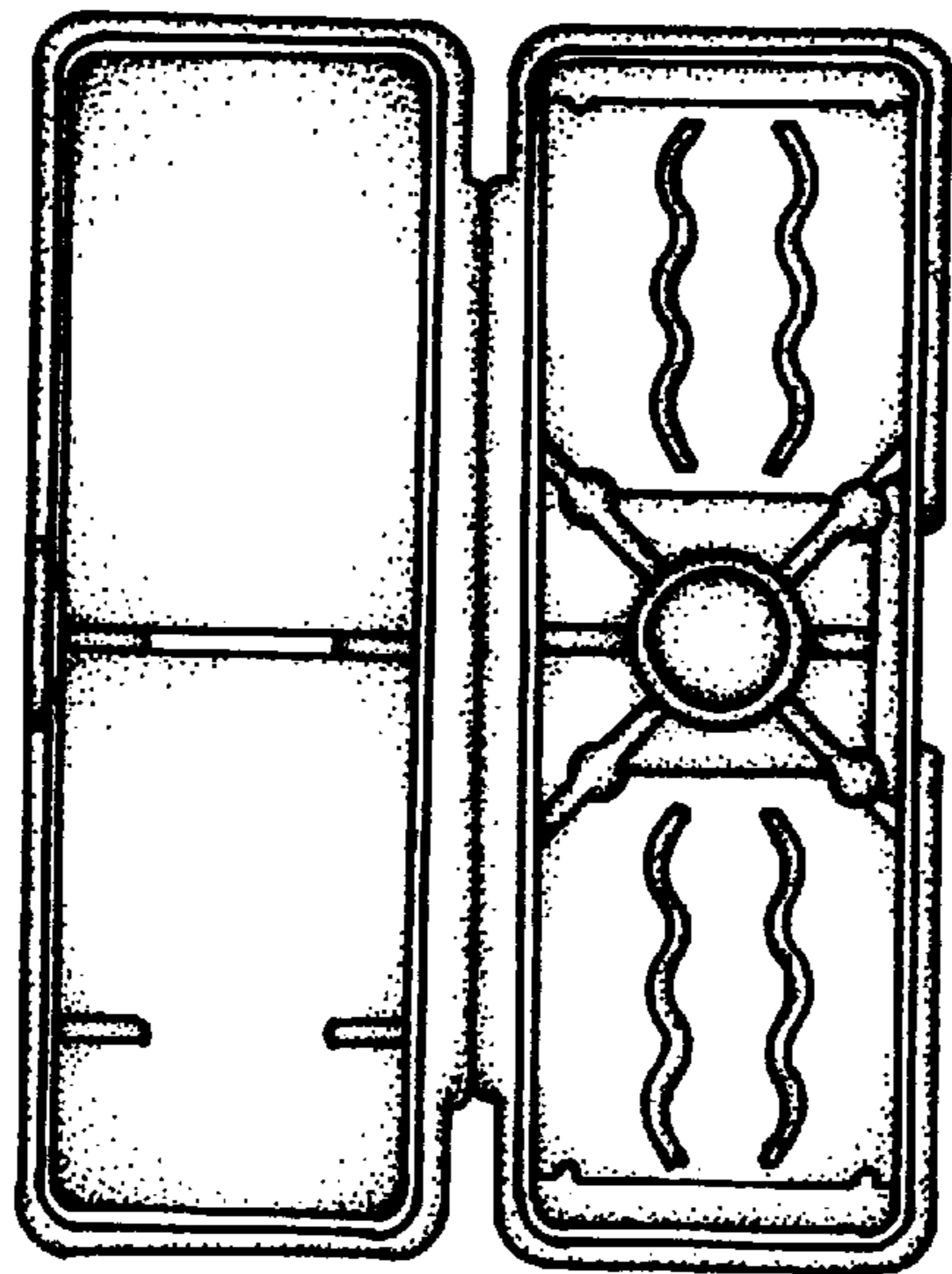


FIG.3

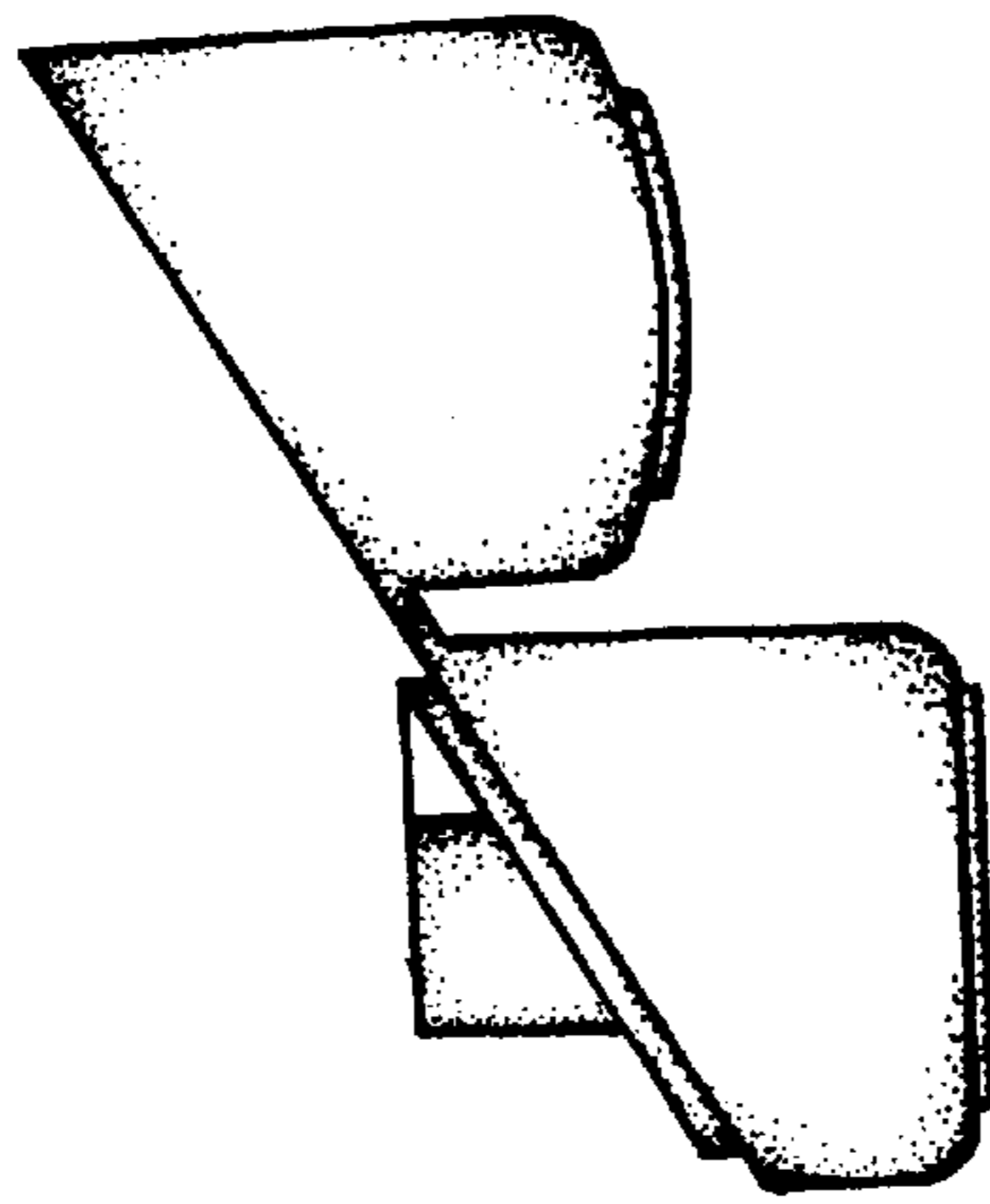


FIG.5

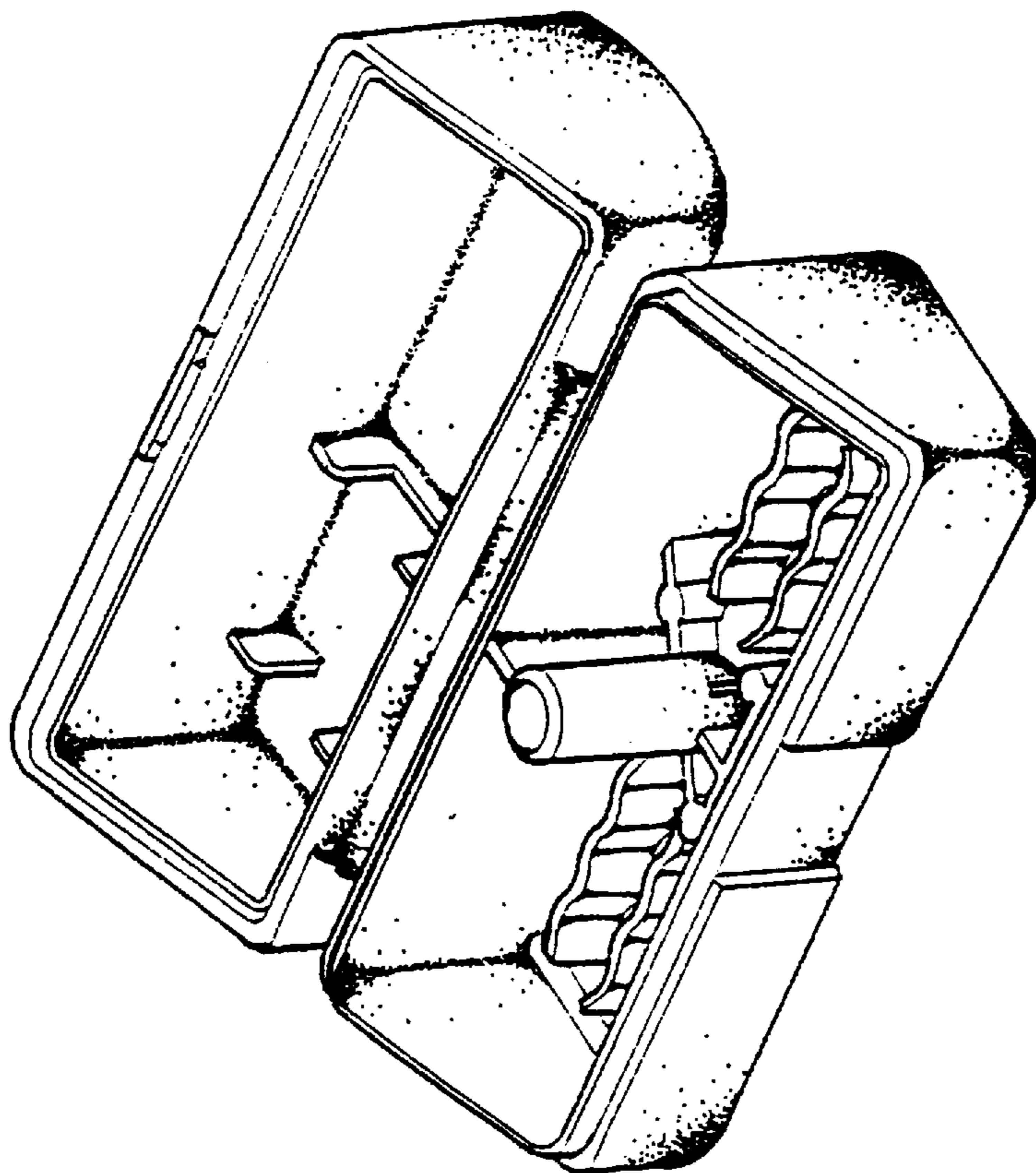


FIG.6

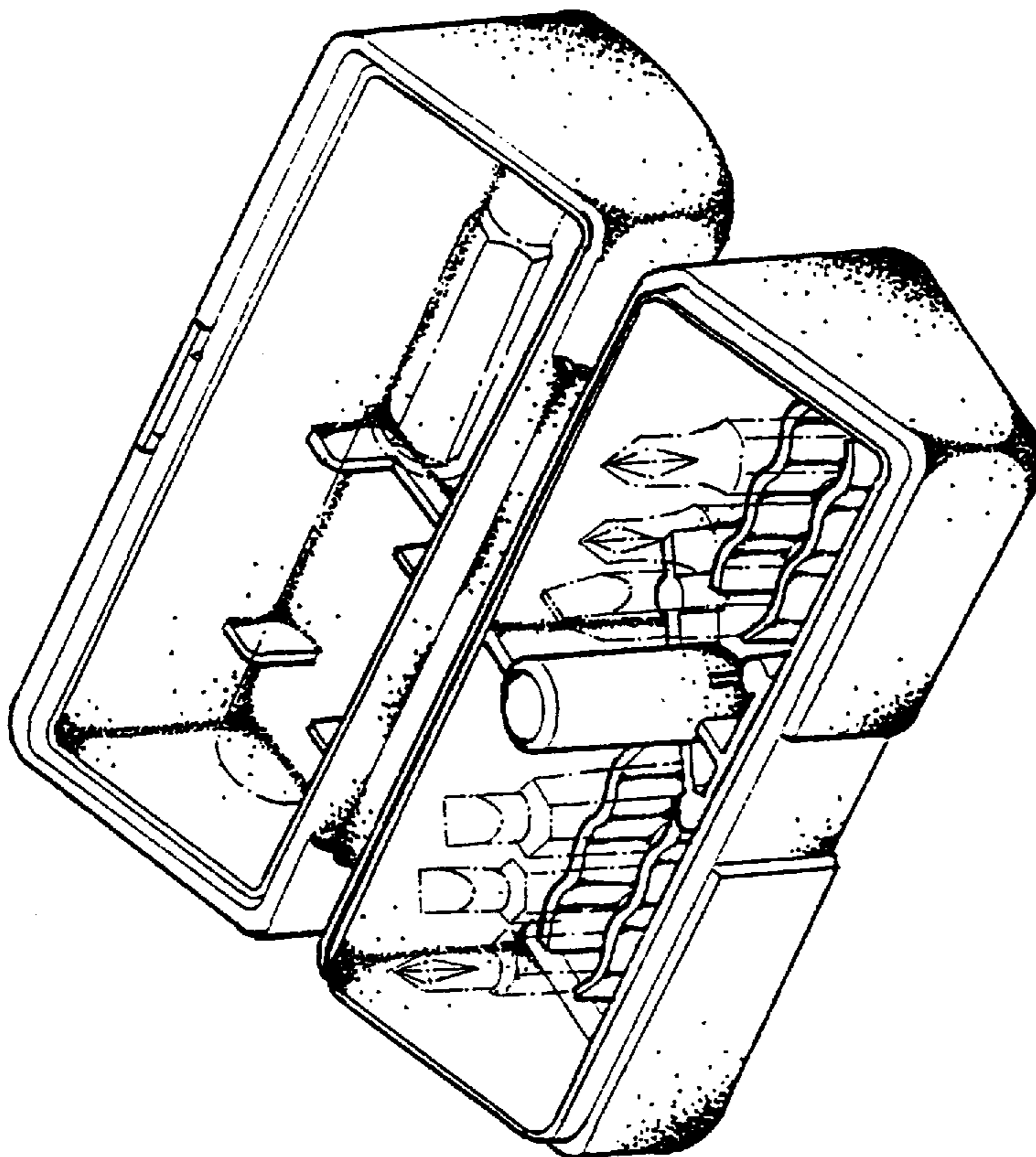


FIG.7

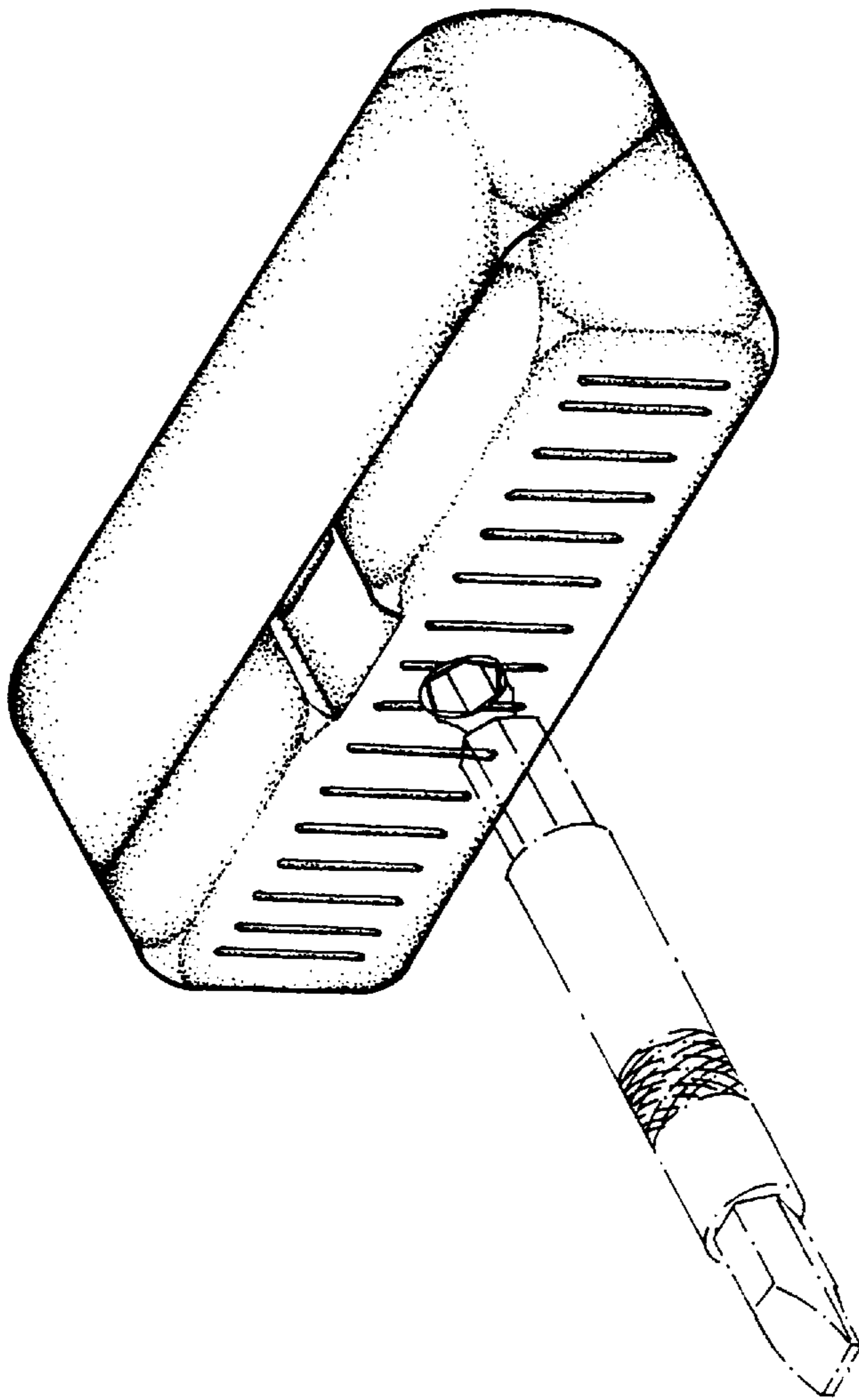


FIG.8