



US00D400774S

United States Patent [19] Ghavami

[11] Patent Number: **Des. 400,774**

[45] Date of Patent: ****Nov. 10, 1998**

[54] **RETRACTABLE KNIFE**

[76] Inventor: **Bert Ghavami**, 30 Snyder Rd.,
Englewood Cliffs, N.J. 07632

[**] Term: **14 Years**

[21] Appl. No.: **72,379**

[22] Filed: **Jun. 16, 1997**

[51] **LOC (6) Cl.** **08-03**

[52] **U.S. Cl.** **D8/99**

[58] **Field of Search** D8/98, 99, 107;
30/162, 320, 329, 335, 337

[56] **References Cited**

U.S. PATENT DOCUMENTS

D. 234,570	3/1975	Eraddock	D8/98
D. 305,096	12/1989	Tench et al.	D8/99
D. 319,378	8/1991	Wilcox	D8/99
D. 336,029	6/1993	Ragland et al.	D8/99
D. 348,383	7/1994	Perkins	D8/99
D. 349,227	8/1994	Ragland et al.	D8/99
D. 352,881	11/1994	Schmidt	D8/99
D. 352,882	11/1994	Schmidt	D8/98
3,316,635	5/1967	Merrow et al. .	
3,381,807	5/1968	Vaughn .	
3,888,002	6/1975	Graham	30/162
3,906,627	9/1975	Manning	30/162
4,063,356	12/1977	Hepworth	30/162
4,139,939	2/1979	Crooks	30/162
4,196,515	4/1980	Sugiyama	30/162
4,200,977	5/1980	Kageyama et al.	30/162
4,233,734	11/1980	Bies	30/162
4,242,795	1/1981	Rollband et al.	30/162
4,277,888	7/1981	Szabo	30/162
4,586,256	5/1986	Weimann	30/162
4,761,882	8/1988	Silverstein	30/162

4,835,865	6/1989	Knoop	30/162
4,930,218	6/1990	Jacoff	30/162
5,012,581	5/1991	Fletcher et al.	30/162
5,092,046	3/1992	Collins	30/162
5,155,911	10/1992	Collins	30/162
5,203,085	4/1993	Berns	30/162
5,255,436	10/1993	Yoshida	30/151
5,301,428	4/1994	Wilcox	30/162
5,386,632	2/1995	Schmidt	30/162
5,490,331	2/1996	Gold	30/162
5,581,890	12/1996	Schmidt	30/162
B1 4,517,741	12/1988	Castelluzzo	30/162

OTHER PUBLICATIONS

U.S. Blade Company Catalog, Nos. 118-01/02/03, cover page.

Stanley Works Company Catalog, p. 2.

Primary Examiner—Philip S. Hyder

Attorney, Agent, or Firm—Weingram & Associates, P.C

[57] **CLAIM**

I claim the ornamental design for a retractable knife, as shown and described.

DESCRIPTION

FIG. 1 is a front perspective view showing my new design for a retractable knife according to the present invention; FIG. 2 is a side elevational view thereof; FIG. 3 is a top plan view thereof; FIG. 4 is a front view thereof; FIG. 5 is a rear view thereof; FIG. 6 is a side elevational view thereof opposite to that shown in FIG. 2; and, FIG. 7 is a bottom plan view thereof.

1 Claim, 2 Drawing Sheets

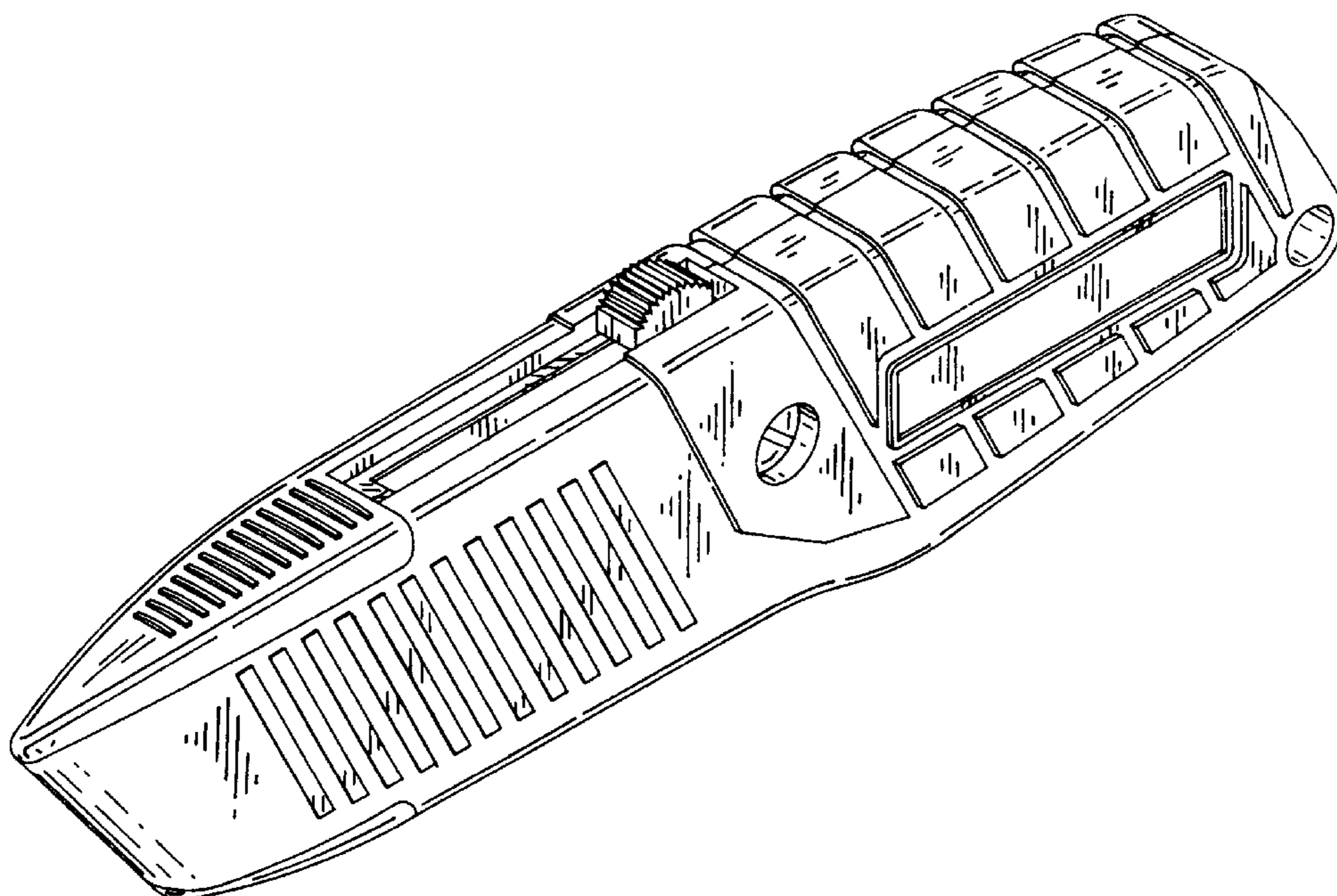


FIG. 1

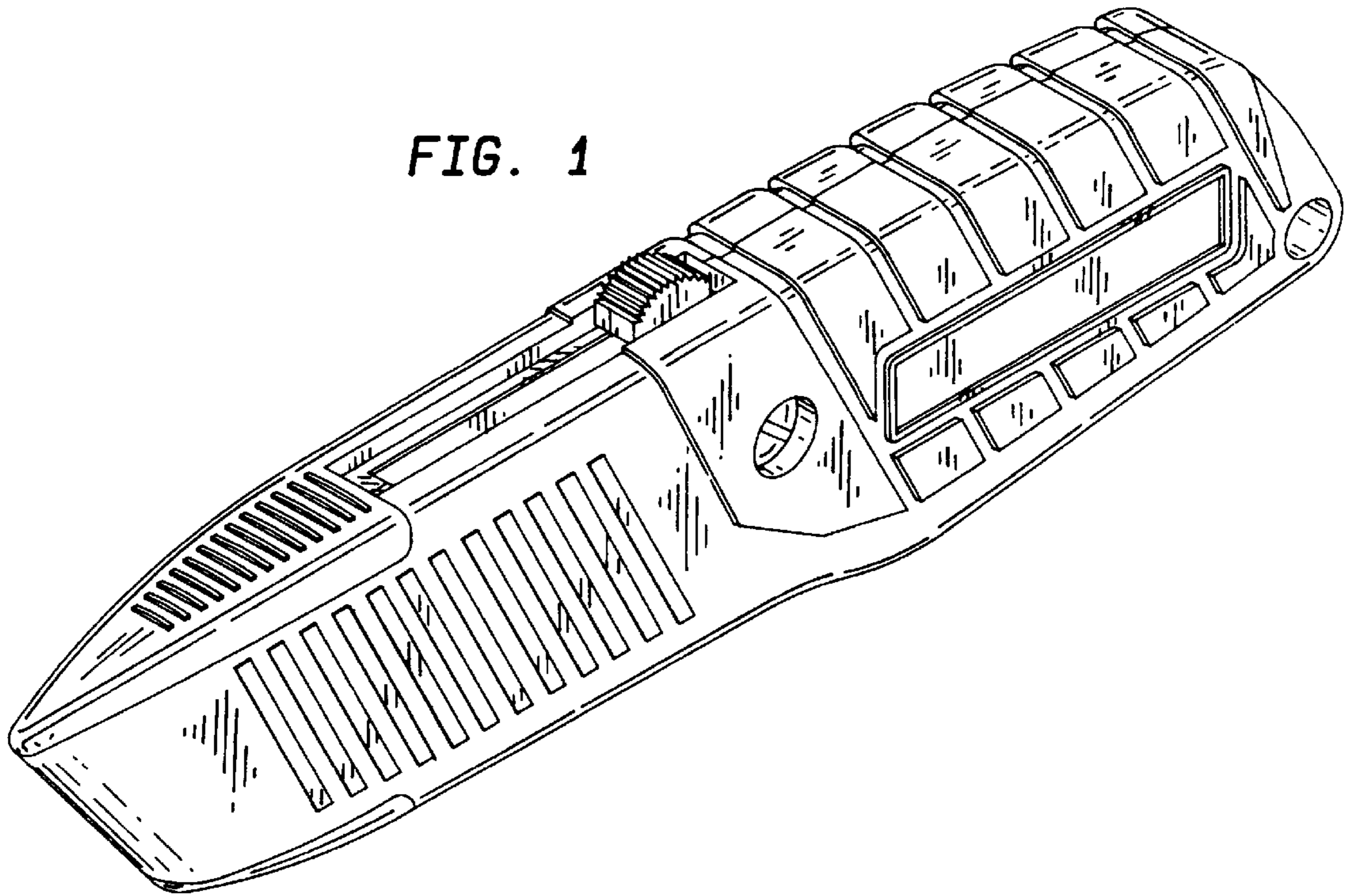


FIG. 2

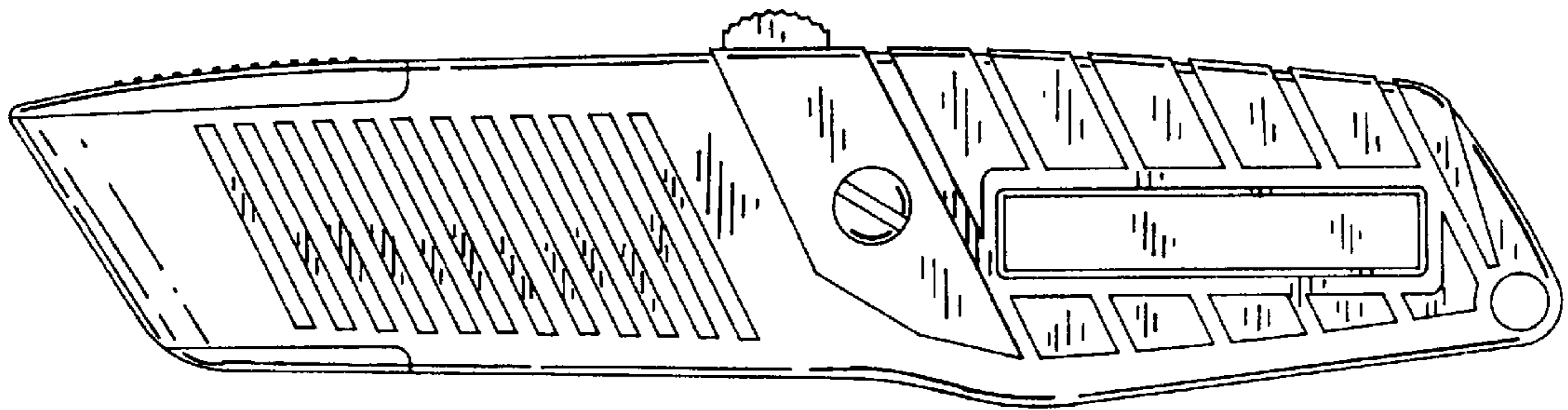


FIG. 3

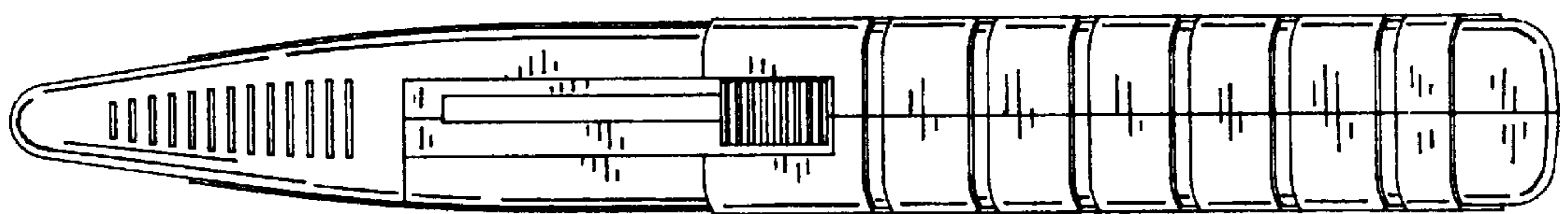


FIG. 4

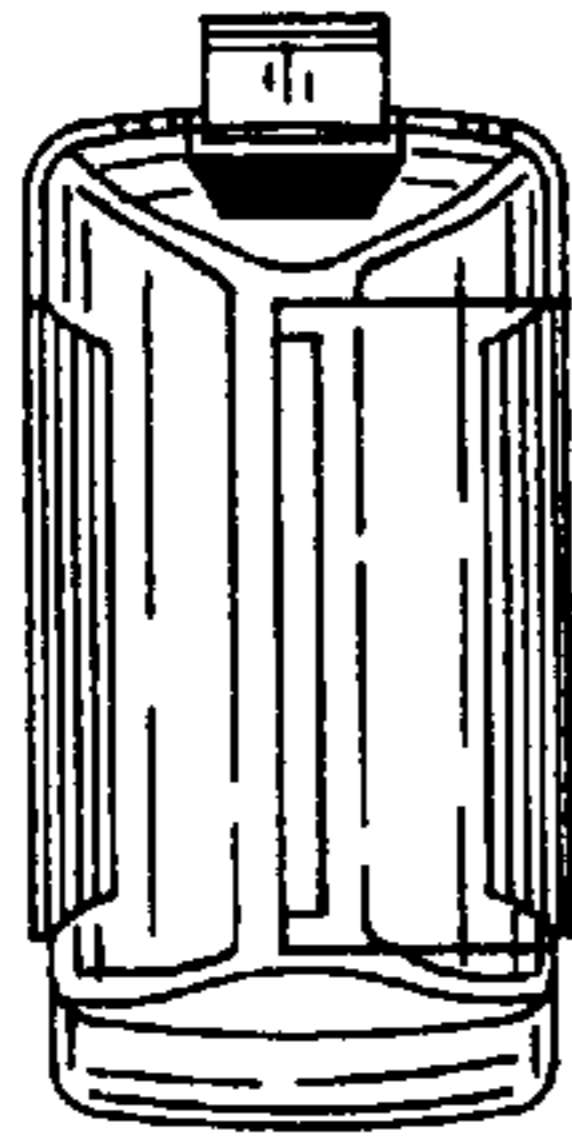


FIG. 5

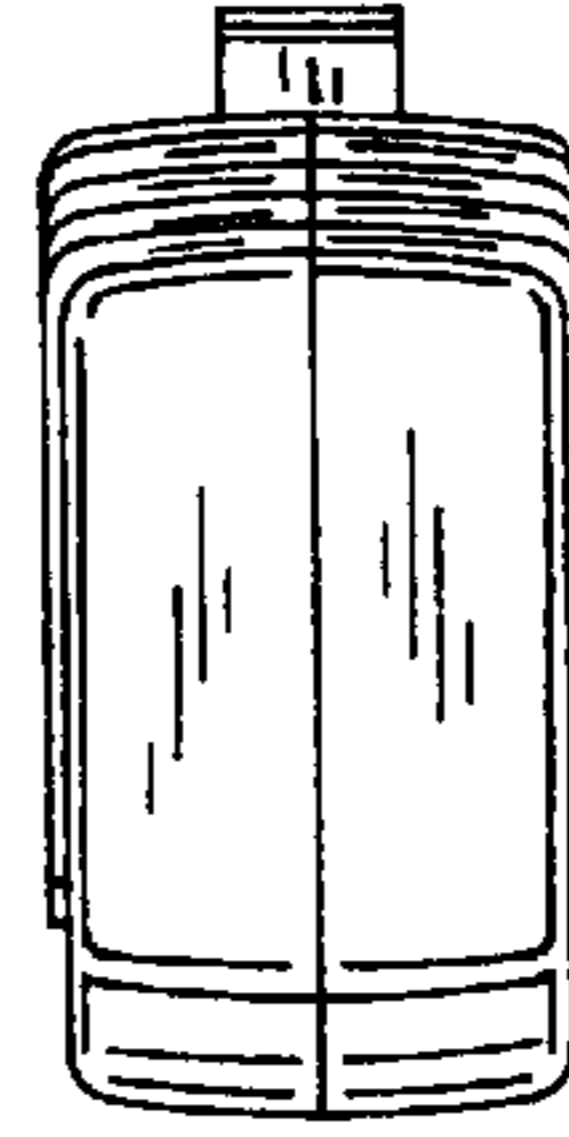


FIG. 6

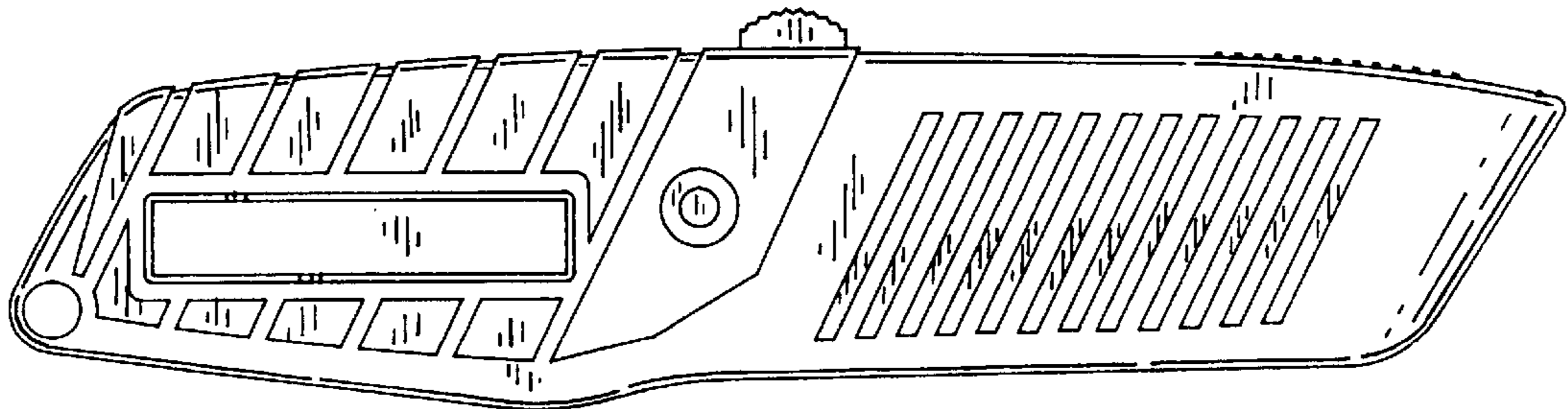


FIG. 7

