

US00D400772S

United States Patent [19]
Gallagher et al.

[11] **Patent Number: Des. 400,772**

[45] **Date of Patent: **Nov. 10, 1998**

[54] **CIRCULAR SAW**

[75] Inventors: **P. Sean Gallagher; Mark G. Kuras,**
both of Des Plaines, Ill.

[73] Assignee: **S-B Power Tool Company,** Chicago,
Ill.

[**] Term: **14 Years**

[21] Appl. No.: **70,196**

[22] Filed: **May 2, 1997**

[51] **LOC (6) Cl.** **08-03**

[52] **U.S. Cl.** **D8/66**

[58] **Field of Search** D8/66; 30/375-377,
30/388-391

[56] **References Cited**

U.S. PATENT DOCUMENTS

D. 378,488 3/1997 Ito et al. D8/66
5,461,790 10/1995 Olstowski 30/391

OTHER PUBLICATIONS

Catalog sheets showing SKILSAW circular saw models 5150, 5175, 5275, 5375, HD5510 and HD5525.

Primary Examiner—Antoine Duval Davis
Attorney, Agent, or Firm—Jones, Day, Reavis & Pogue

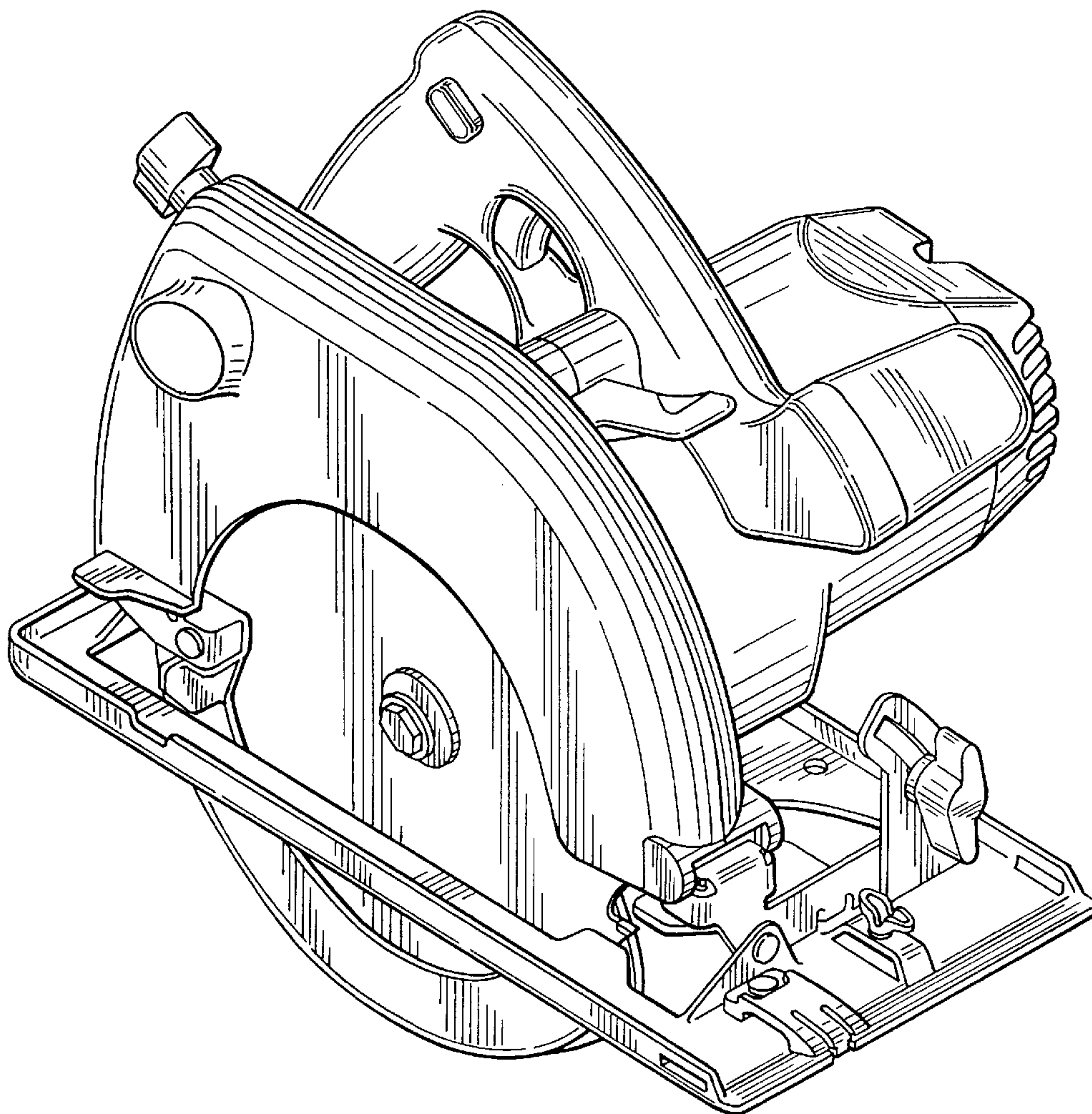
[57] **CLAIM**

The ornamental design for a circular saw, as shown and described.

DESCRIPTION

FIG. 1 is an isometric view of a circular saw embodying our design as seen from the front and right side;
FIG. 2 is an isometric view thereof as seen from the rear and right side;
FIG. 3 is a front view thereof;
FIG. 4 is a rear view thereof;
FIG. 5 is a right side elevational view thereof;
FIG. 6 is a left side elevational view thereof;
FIG. 7 is a top view thereof; and,
FIG. 8 is a bottom view thereof.

1 Claim, 7 Drawing Sheets



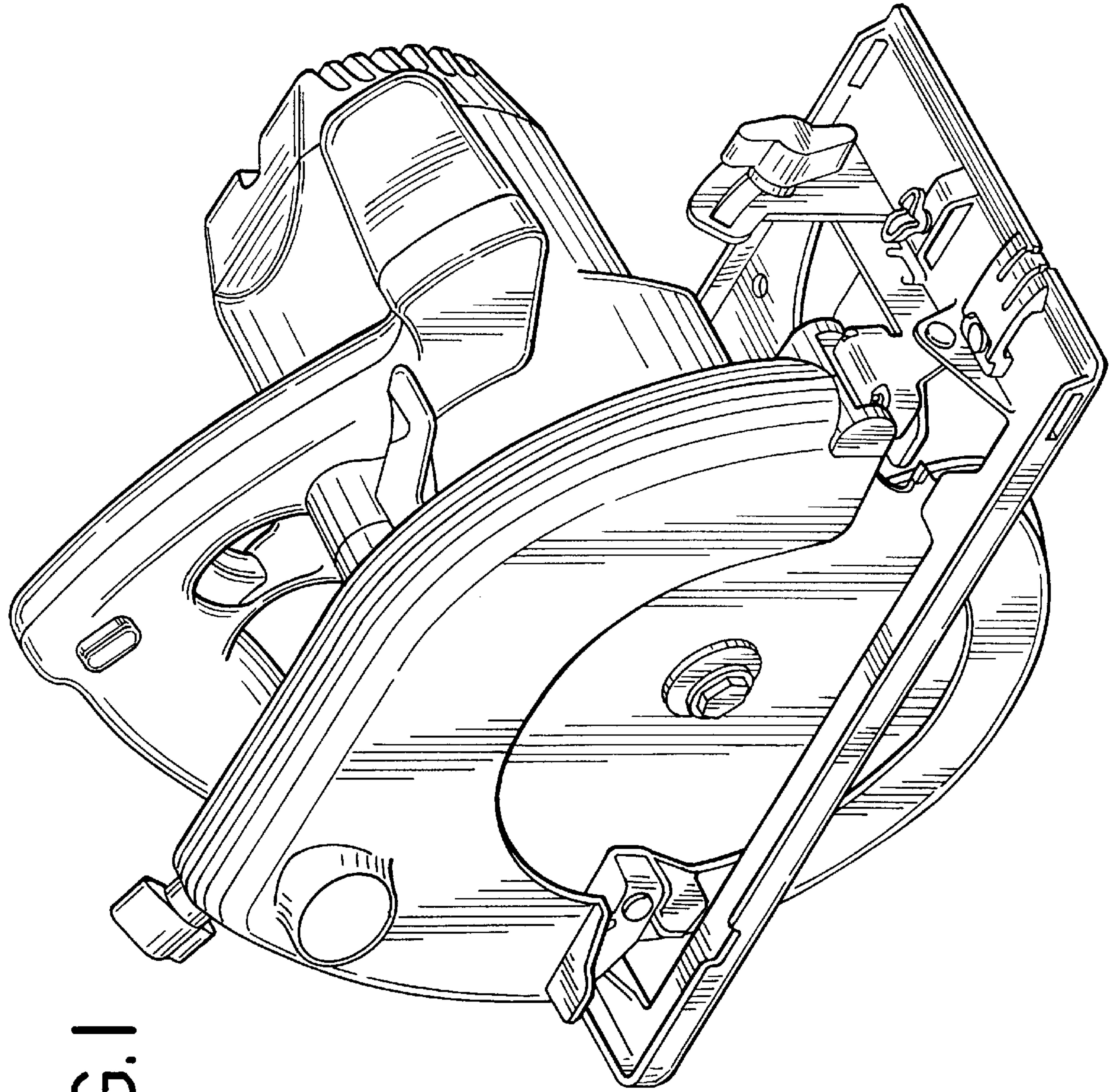


FIG. 1

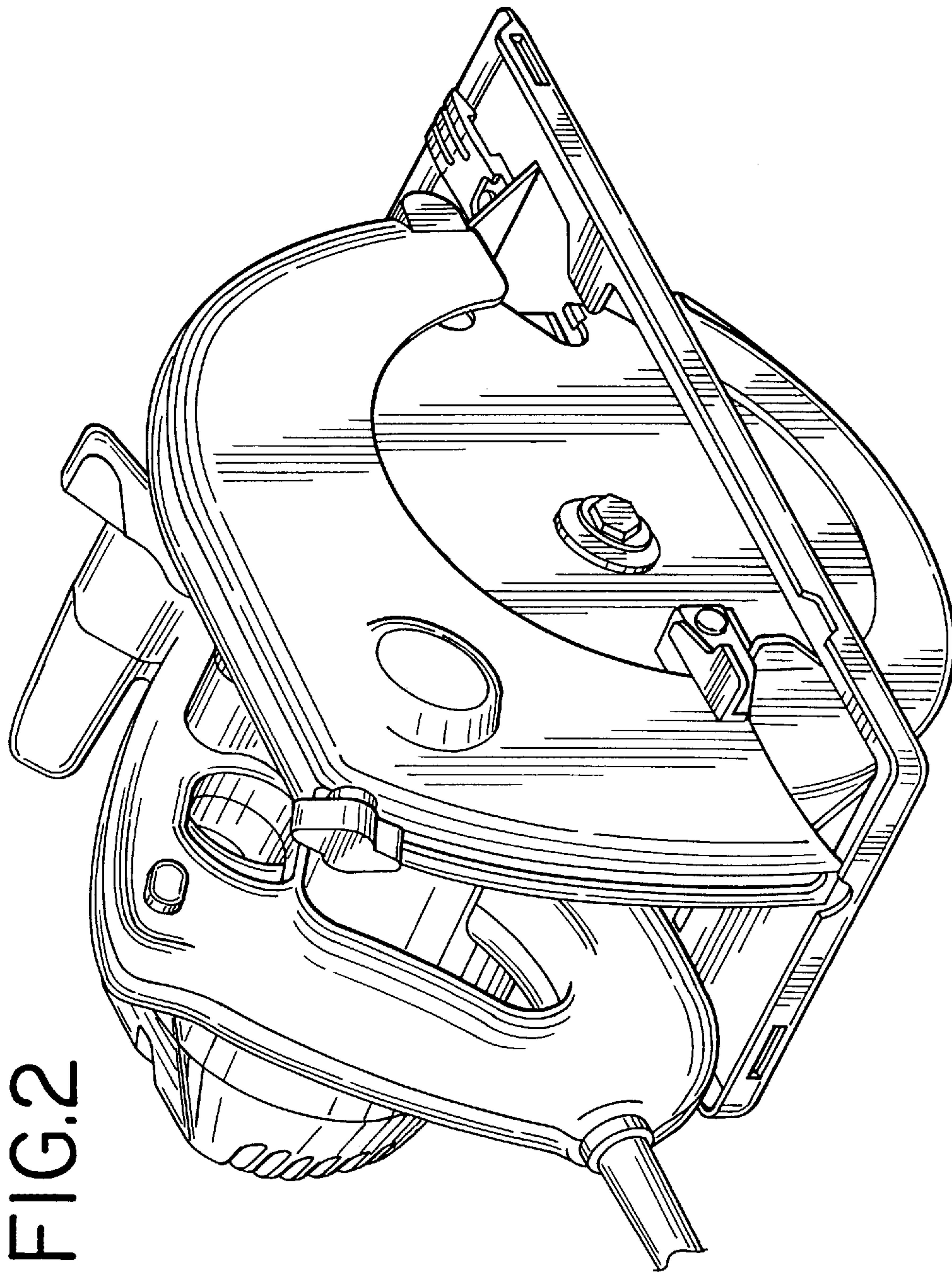


FIG.2

FIG.3

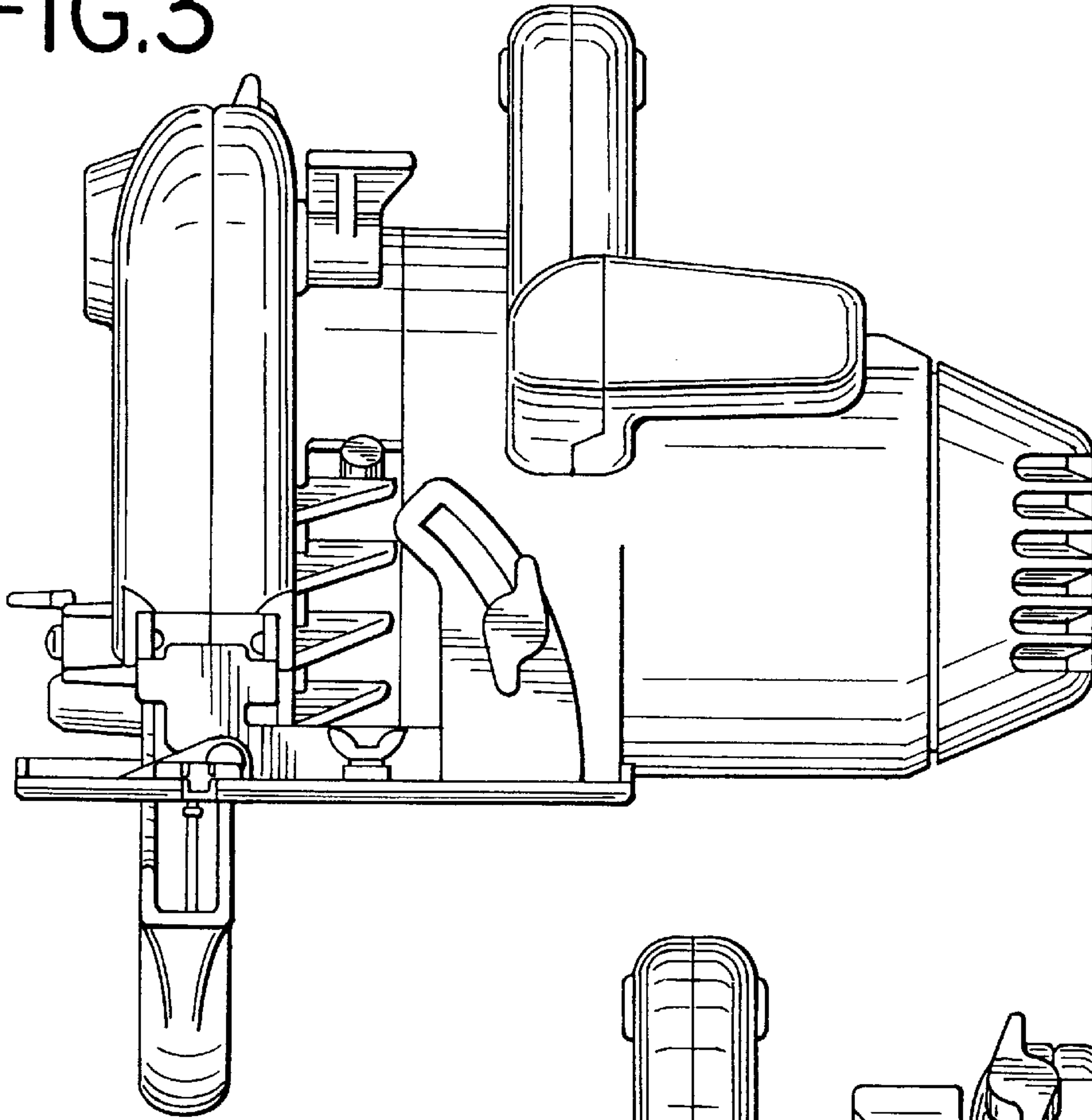
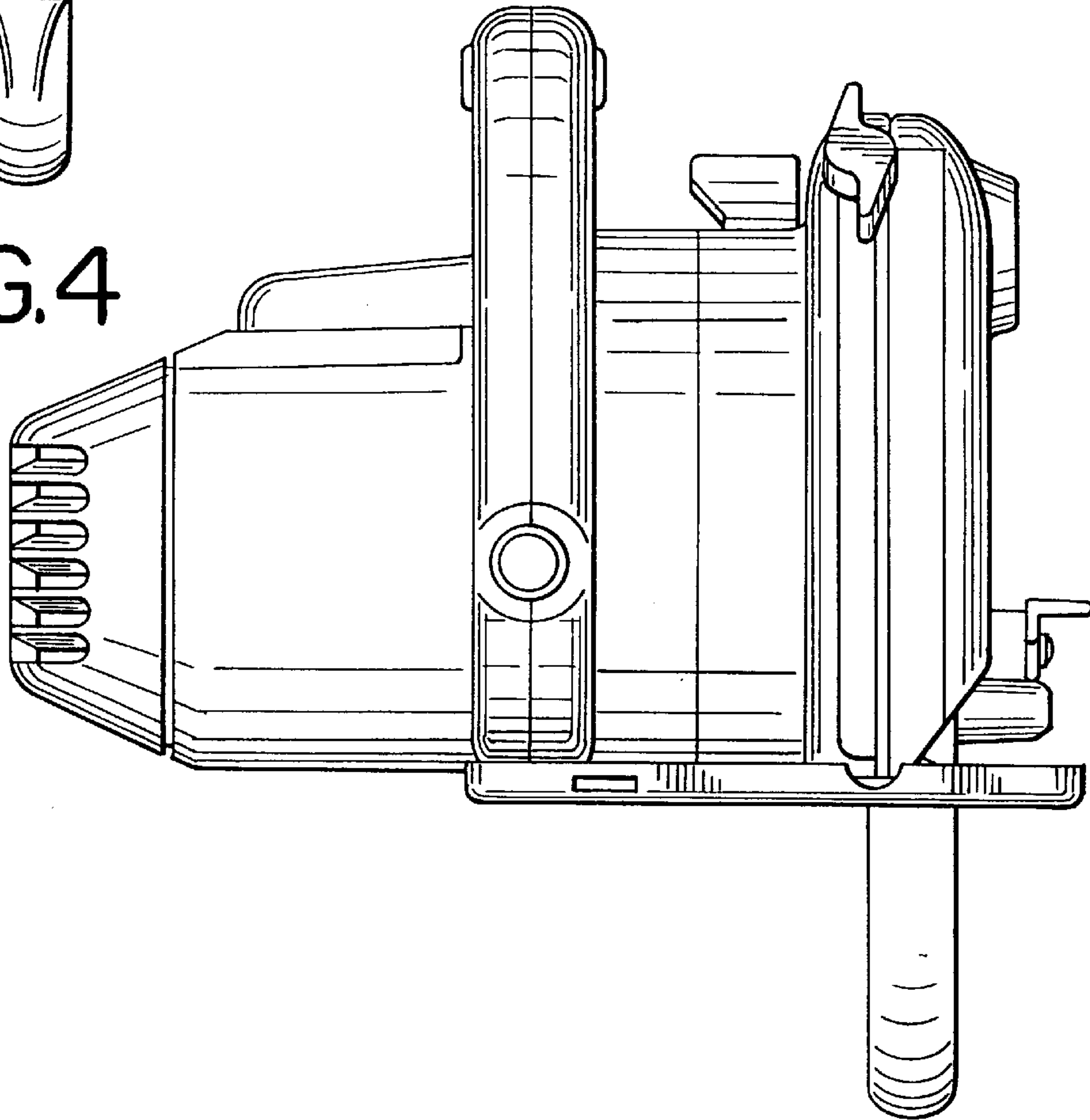


FIG.4



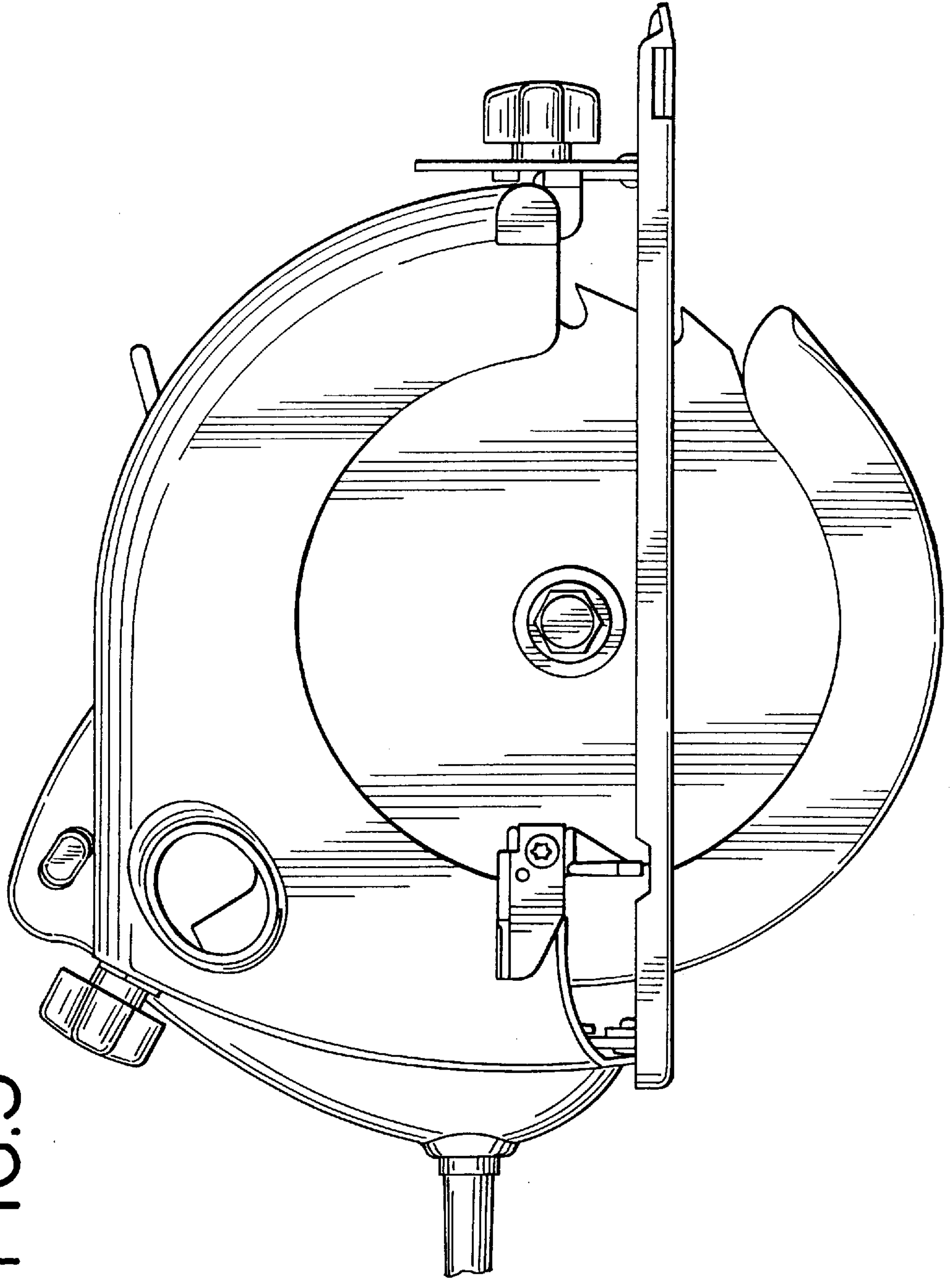


FIG.5

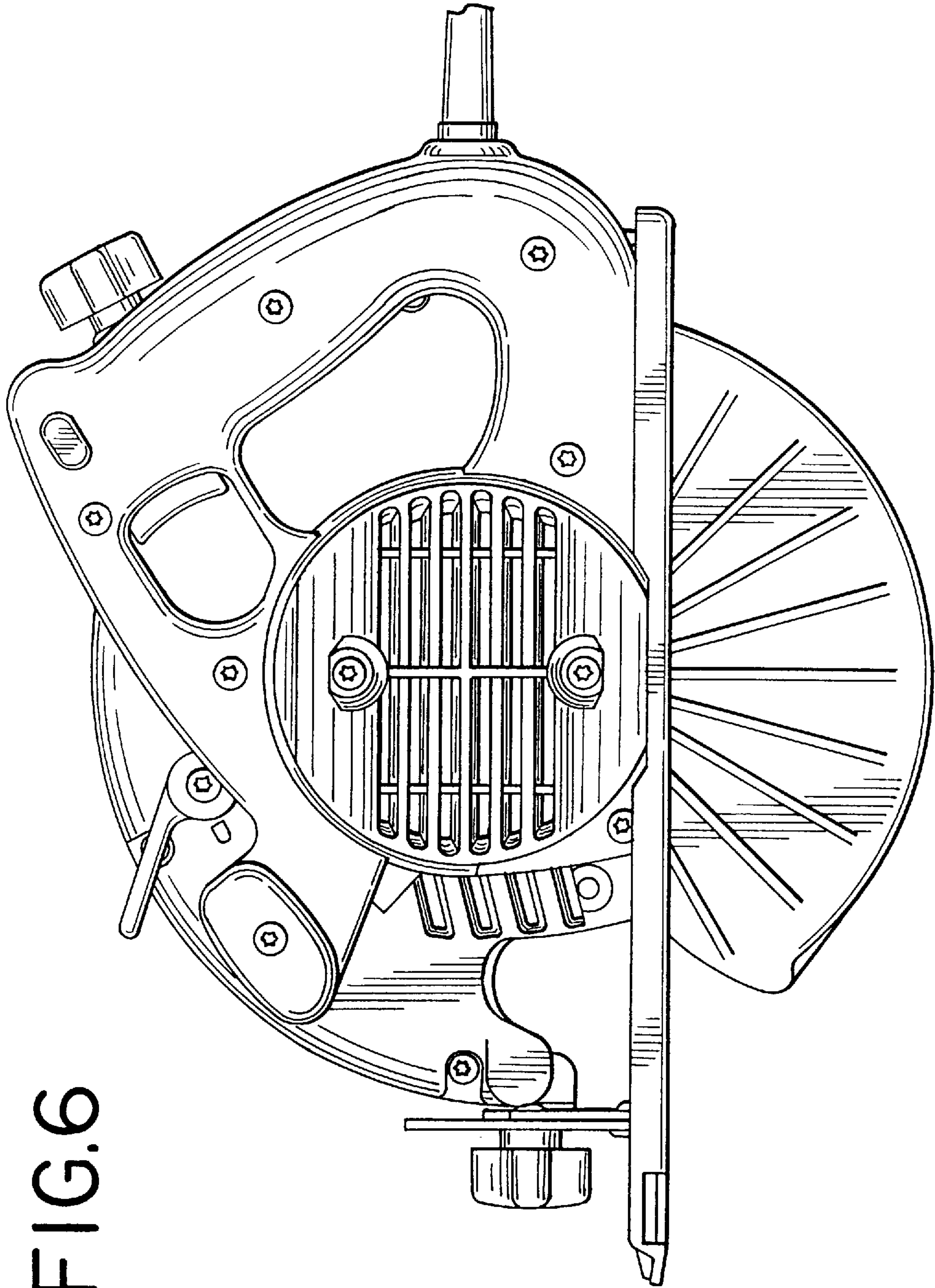


FIG. 6

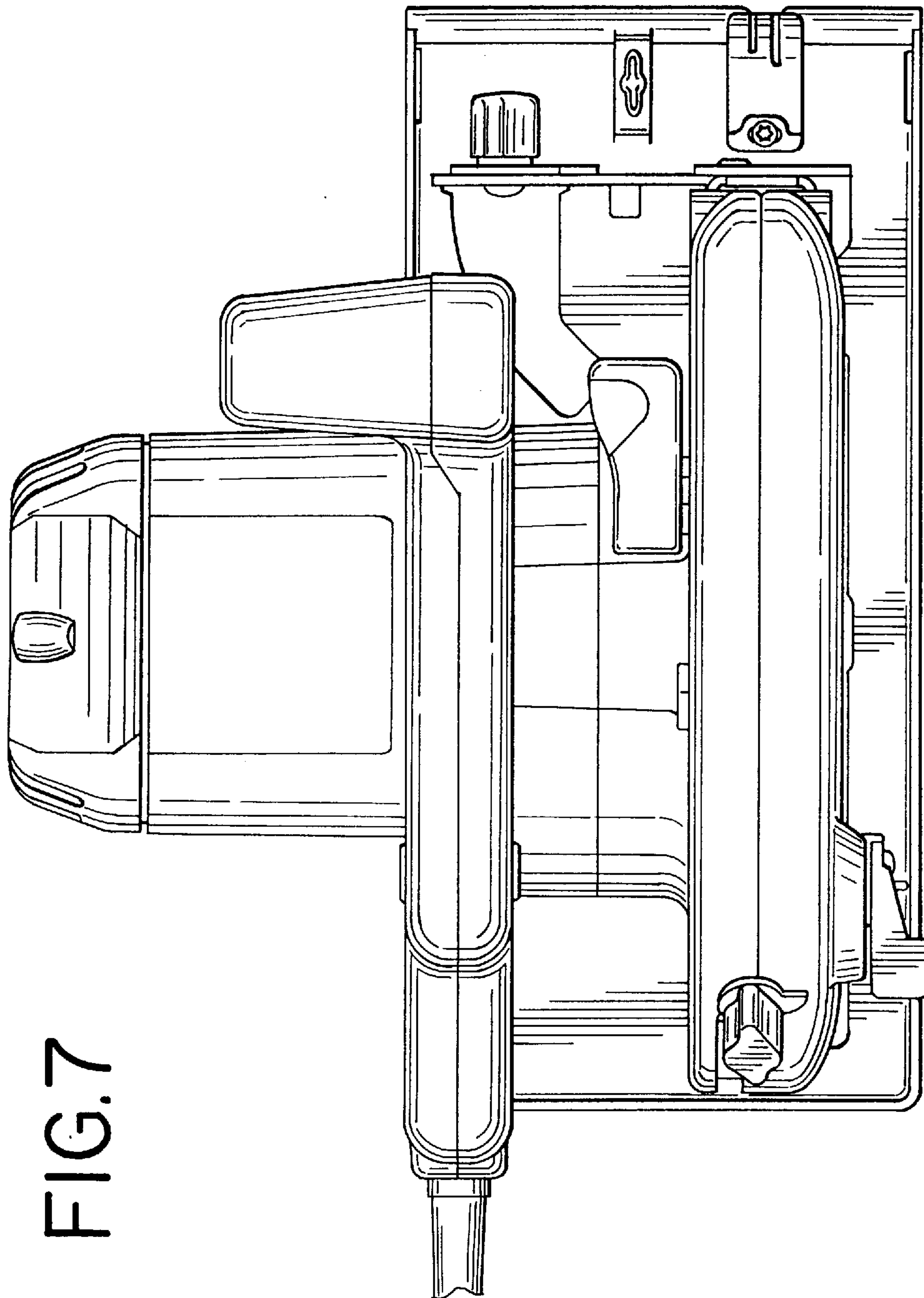


FIG. 7

FIG. 8

