



US00D400771S

United States Patent [19]
Smith et al.

[11] **Patent Number: Des. 400,771**
[45] **Date of Patent: **Nov. 10, 1998**

[54] **PLATE JOINER**

[75] Inventors: **John C. Smith; Mark A. Etter**, both of Jackson, Tenn.

[73] Assignee: **Porter-Cable Corporation**, Jackson, Tenn.

[**] Term: **14 Years**

[21] Appl. No.: **71,935**

[22] Filed: **Jun. 9, 1997**

[51] **LOC (6) Cl.** **08-03**

[52] **U.S. Cl.** **D8/64; D8/67; D8/69**

[58] **Field of Search** D8/61, 62, 64, D8/69, 67; 29/467, 428, 445, 466, 468; 30/374, 377, 375; 144/134 D, 136 C, 371, 329; 409/178, 182; 83/875; 269/54.1

[56] **References Cited**

U.S. PATENT DOCUMENTS

D. 315,281	3/1991	Bosten et al.	D8/64
D. 350,468	9/1994	Chunn et al.	D8/69
4,858,661	8/1989	Bosten et al. .	
4,858,662	8/1989	Bosten et al. .	
4,858,663	8/1989	Bosten et al. .	
4,913,204	4/1990	Moore et al. .	
4,934,422	6/1990	Hempy et al. .	
4,947,908	8/1990	O'Banion et al. .	
5,257,654	11/1993	Bean et al. .	
5,273,091	12/1993	Shibata .	
5,289,861	3/1994	Hedrick .	
5,291,928	3/1994	Keith, Jr. et al. .	
5,381,595	1/1995	Keith, Jr. et al. .	

OTHER PUBLICATIONS

Foster, "What's New in Biscuit Joiners", *Popular Woodworking*, (pp. 48-52), Nov., 1995.
Okrend, "The Workbench Guide to Plate Joiners", *Workbench, The Do-It-Yourself Magazine*, (pp. 19-28), Mar.-Apr., 1988.
"Rodale's American Woodworker", #34, (6 pgs.), Oct. 1993.
"Tool Review, Plant Joiners", *ShopNotes*TM, Issue 3, (pp. 20-21).

"Feature Project, Plate Joiner Table", *ShopNotes*[®] Issue 33, vol. 6, (pp. 16-25).
"Selecting Tools, Plate Joiners", *ShopNotes*[®] Issue 33, vol. 6, (pp. 26-29).
Lauziere, "Survey of Biscuit Joiners", *Fine Homebuilding*, (pp. 46-51), Feb./Mar. 1995.
Robinson, "Picking a Plate Joiner", *Fine Woodworking*, (pp. 52-57), Jan./Feb. 1995.
"Woodhaven Uncommon Woodworking Tools", Catalog (cover pg. and pp. 57-59), Aug., 1993.
Makita brochure, "Heavy Duty Plater Joiner for Strong, Secure Joints", (2 pgs.).
Makita brochure, "Precisely Better, Plate Joiner—Model 3901", (2 pgs.).
Practical Products Co., "Practical CA-800 Plate Joiner", (1 pg.).
Ryobi Detail Biscuit Joiner brochure (2 pgs.).
DeWalt[®] Instruction Manual, DW682 Plate Joiner, (18 pgs.), Copyright 1993.
Lamello *Top 10*, Operating Instructions (8 pgs.).
freud[®] Instruction and Safety Manual, "How to Use the Freud Joiner Machine", (12 pgs.).
Roybi[®] Owner's Operating Manual, Joiner Machine JM-100K, (16 pgs.).

Primary Examiner—Antoine Duval Davis
Attorney, Agent, or Firm—Merchant, Gould, Smith, Edell, Welter & Schmidt, P.A.

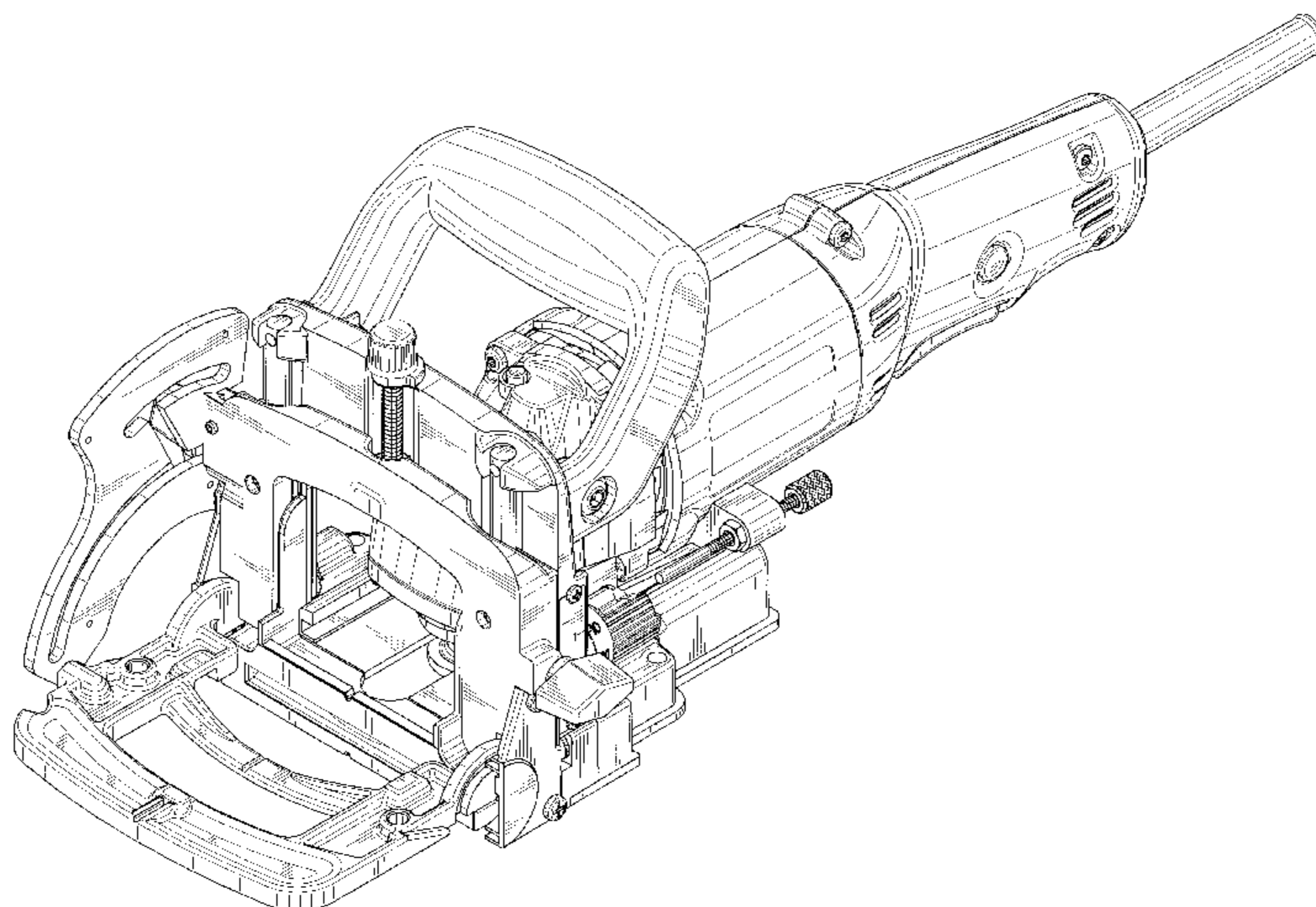
[57] **CLAIM**

The ornamental design for a plate joiner, as shown and described.

DESCRIPTION

FIG. 1 is a right elevational view of a plate joiner showing my new design;
FIG. 2 is a left elevational view;
FIG. 3 is a top plan view;
FIG. 4 is a bottom plan view;
FIG. 5 is a front elevational view;
FIG. 6 is a rear elevational view;
FIG. 7 is a top left perspective view with the fence at a 90° angle; and,
FIG. 8 is a bottom right perspective view with the fence at a 90° angle.

1 Claim, 8 Drawing Sheets



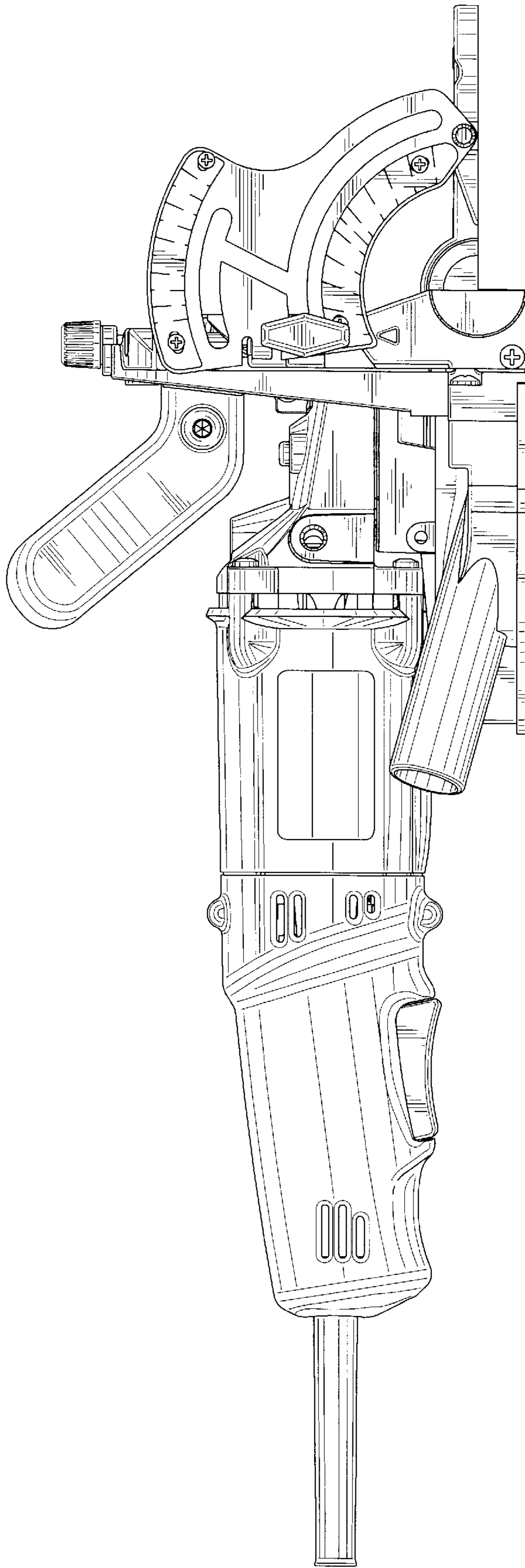


FIG. 1

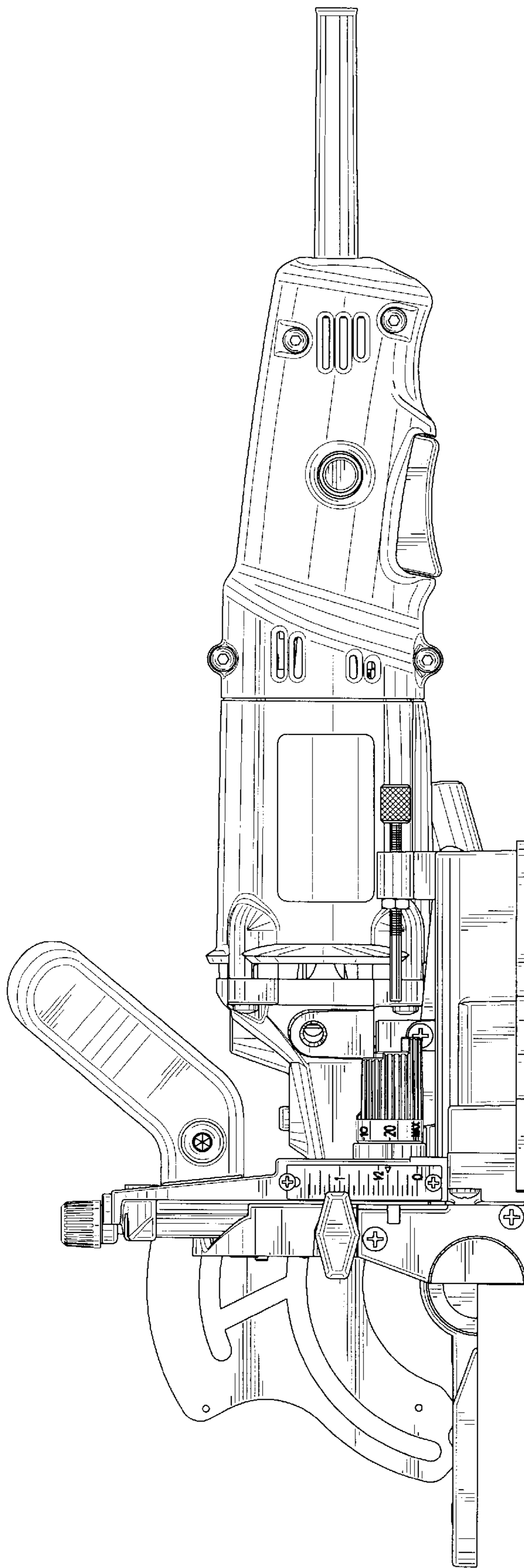


FIG. 2

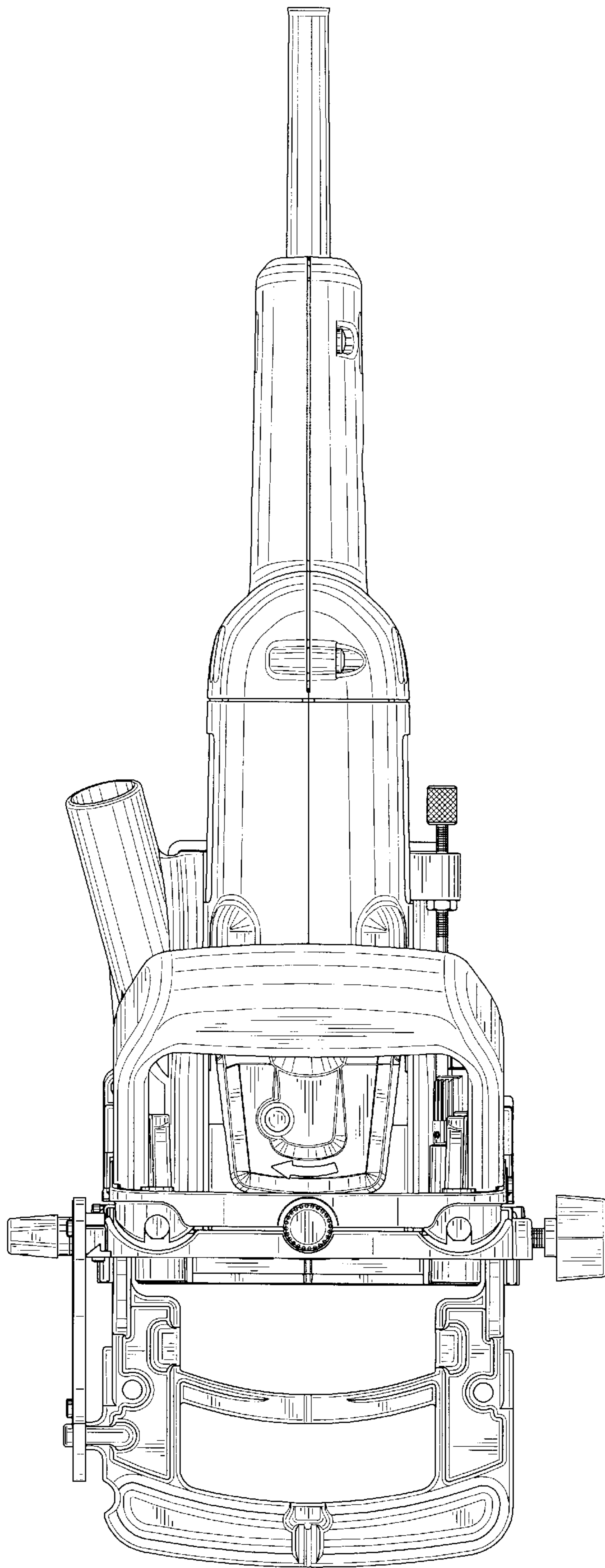


FIG. 3

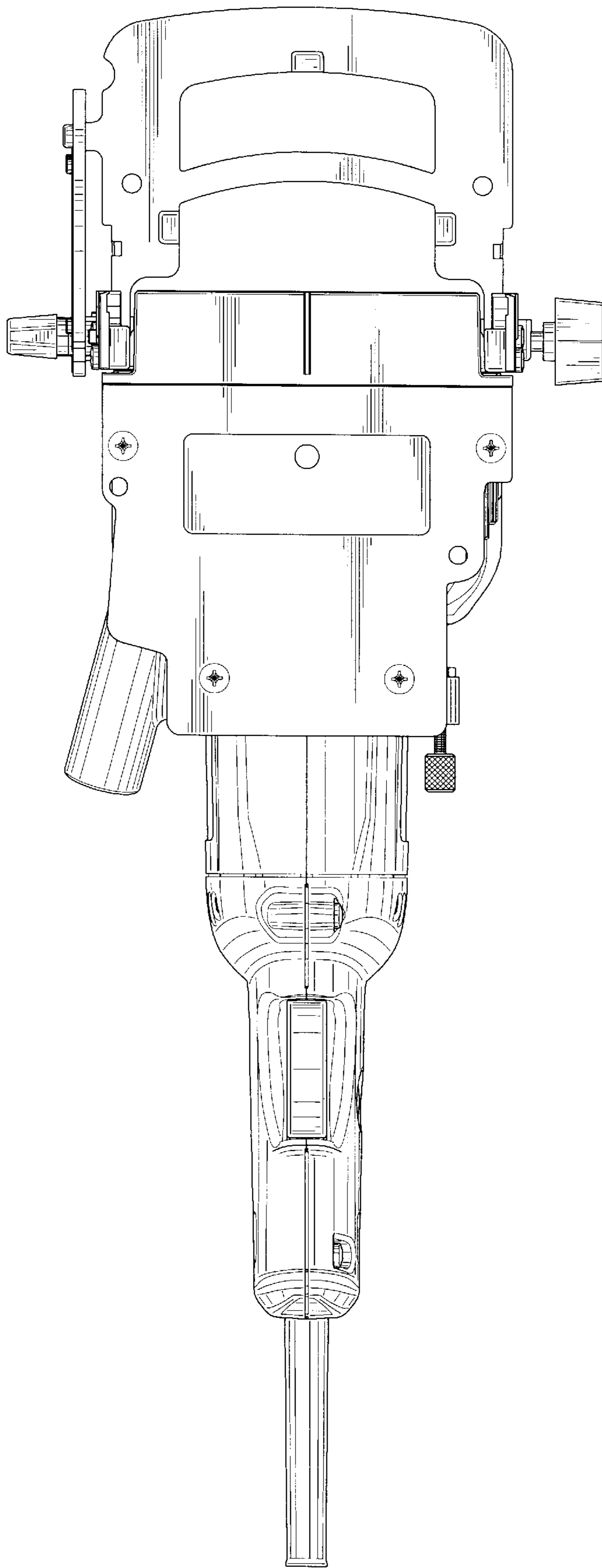


FIG. 4

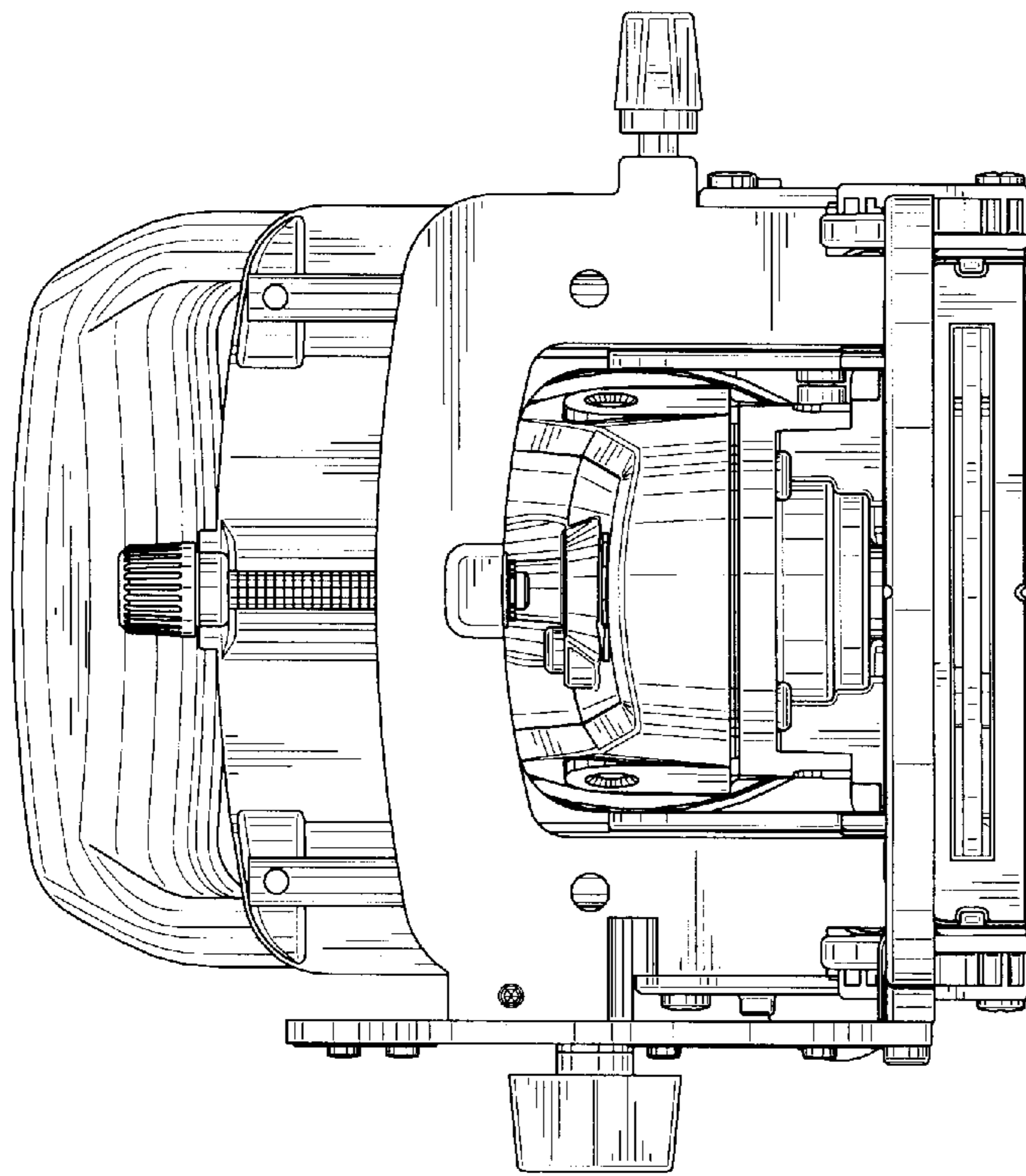


FIG. 5

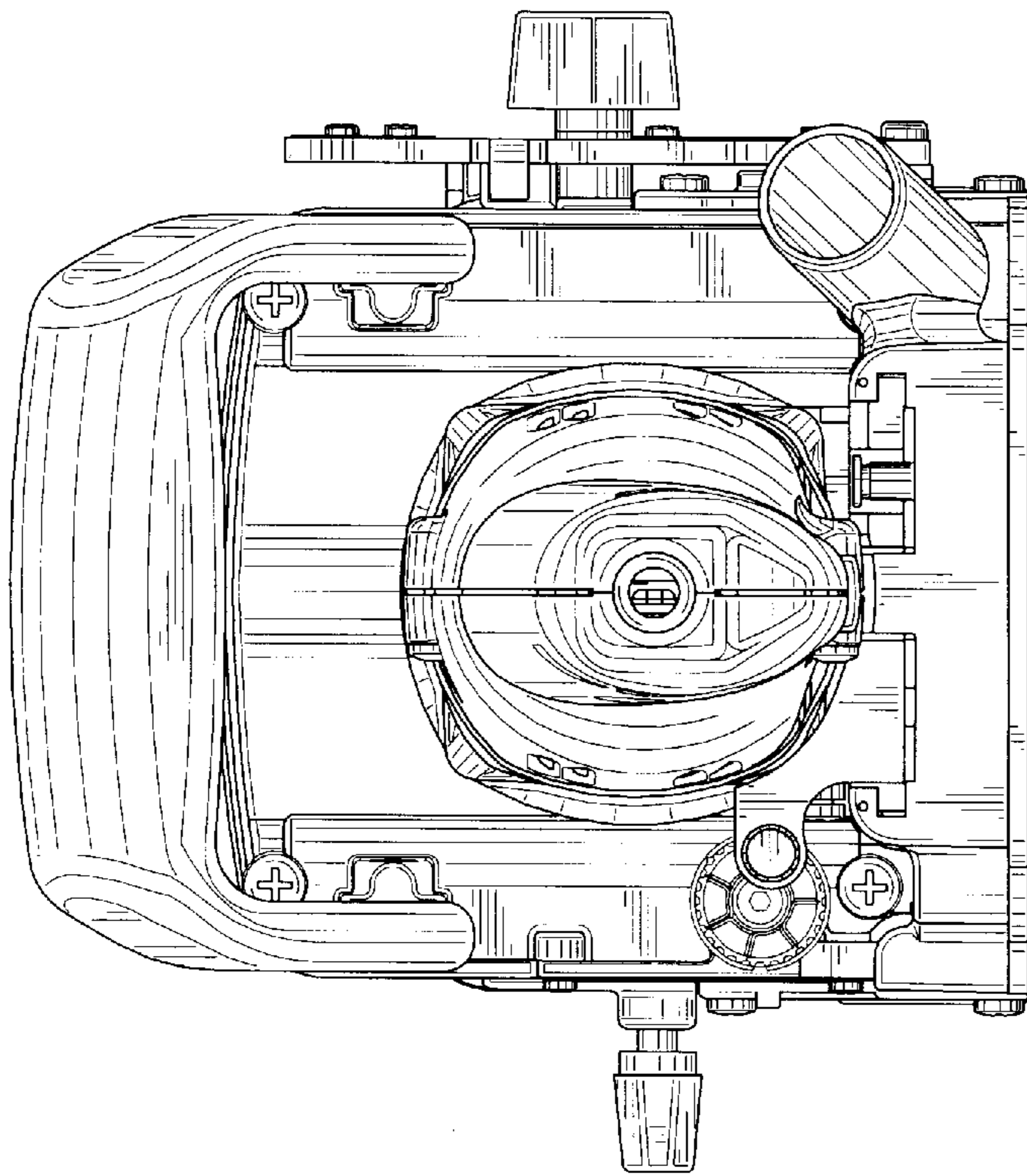


FIG. 6

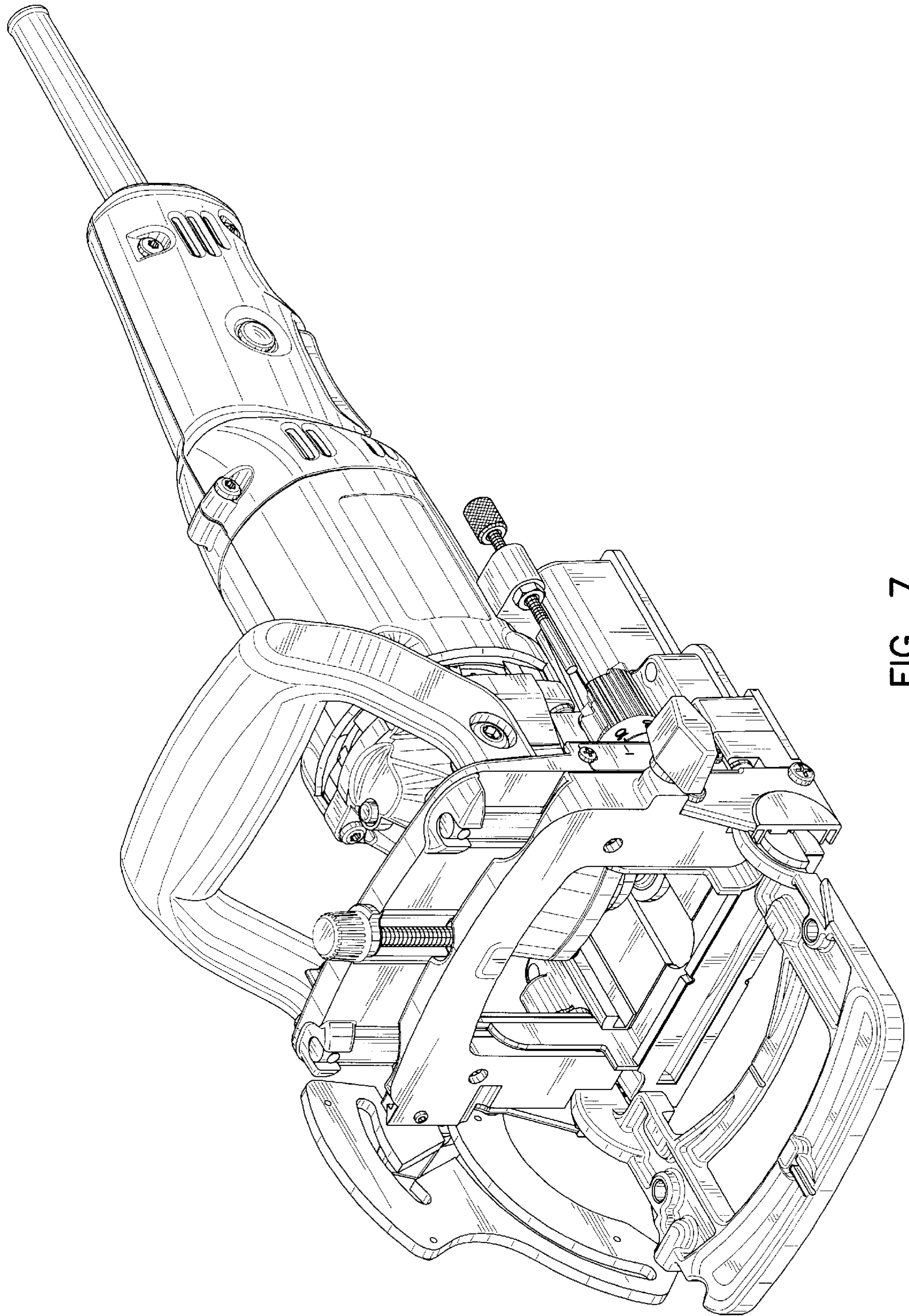


FIG. 7

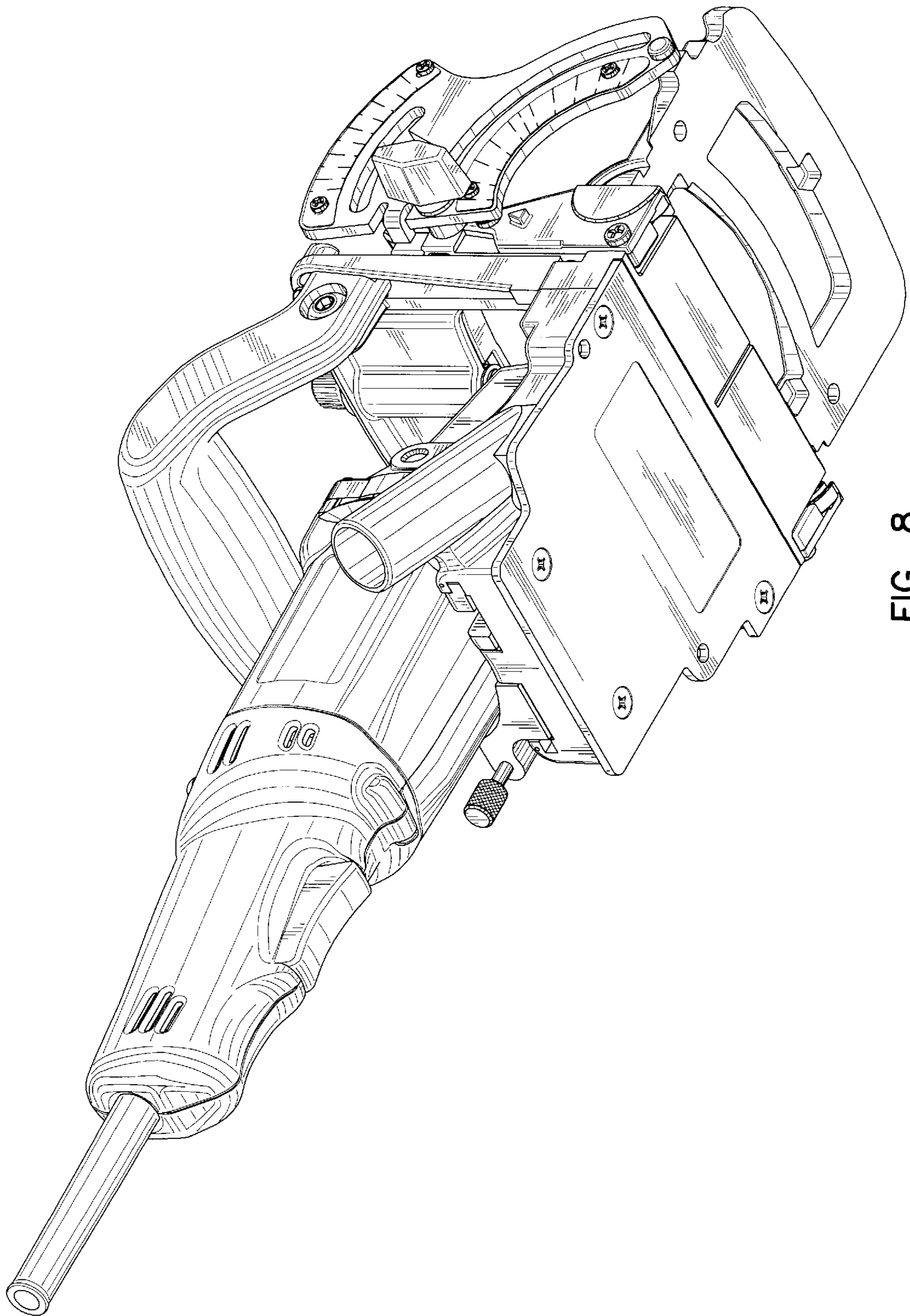


FIG. 8