



US00D400769S

# United States Patent [19] Duke

[11] **Patent Number: Des. 400,769**

[45] **Date of Patent: \*\*Nov. 10, 1998**

[54] **MULTI-PURPOSE STRAINER WRENCH**

[76] Inventor: **Robert L. Duke**, 485 32nd Ave. SW.,  
Vero Beach, Fla. 32968

[\*\*] Term: **14 Years**

[21] Appl. No.: **56,109**

[22] Filed: **Jun. 24, 1996**

[51] **LOC (6) Cl. .... 08-05**

[52] **U.S. Cl. .... D8/21; D8/29**

[58] **Field of Search .... D8/14, 21-29;**  
81/119, 120, 121.1, 125, 124.2, 124.7, 176.15,  
176.2, 177.1

[56] **References Cited**

**U.S. PATENT DOCUMENTS**

|            |         |         |       |       |
|------------|---------|---------|-------|-------|
| D. 125,438 | 2/1941  | Bishop  | ..... | D8/28 |
| D. 311,315 | 10/1990 | Duke    | ..... | D8/25 |
| D. 335,616 | 5/1993  | Schafer | ..... | D8/21 |
| D. 364,542 | 11/1995 | Pollard | ..... | D8/14 |

|           |         |             |       |          |
|-----------|---------|-------------|-------|----------|
| 2,895,362 | 7/1959  | Jamgotchian | ..... | 81/119   |
| 4,786,062 | 11/1988 | Schneider   | ..... | D8/14 X  |
| 4,836,065 | 6/1989  | Setliff     | ..... | 81/124.2 |
| 5,542,321 | 8/1996  | Fuca        | ..... | 81/125.1 |

*Primary Examiner*—Sandra L. Morris  
*Assistant Examiner*—Richelle Shelton

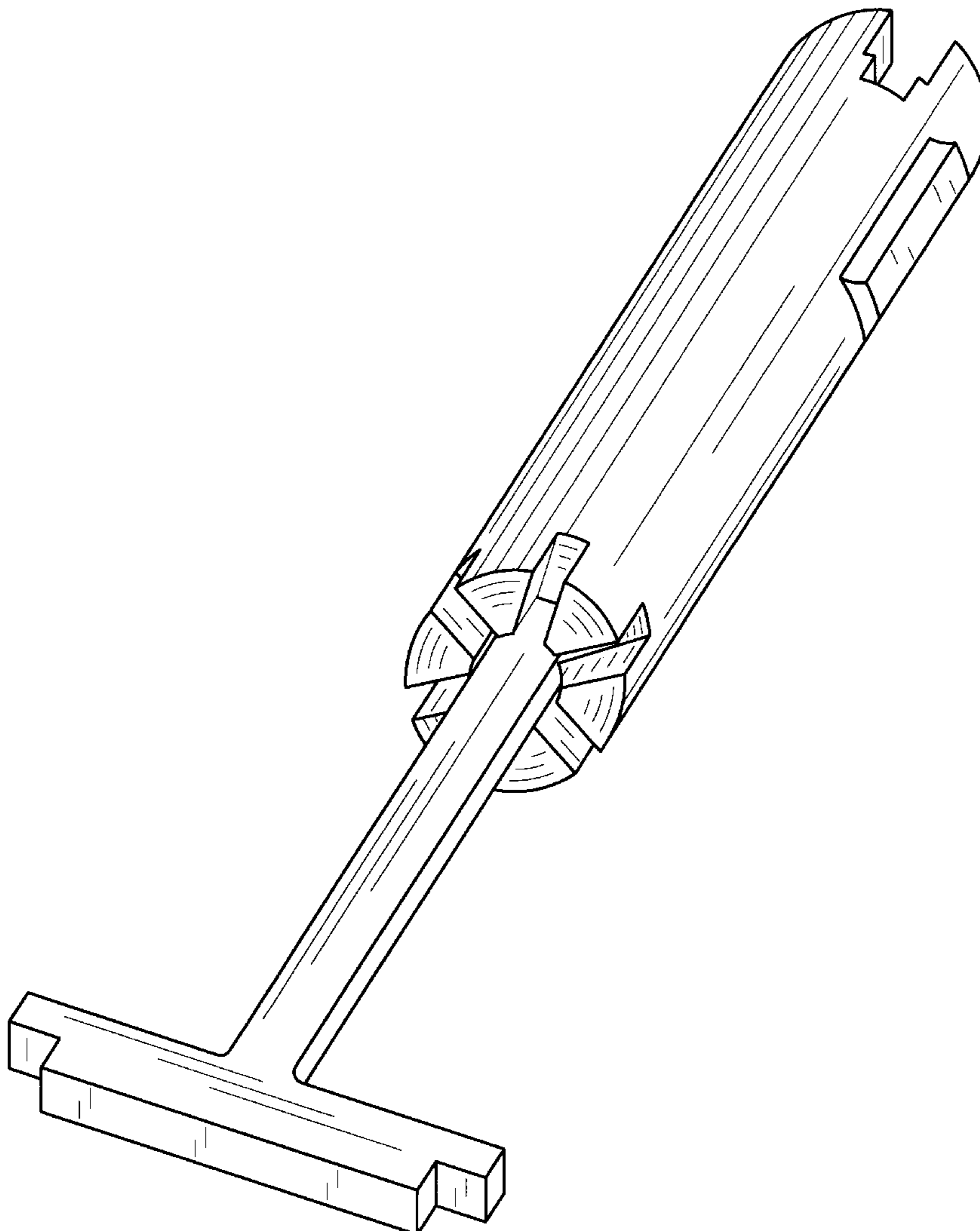
[57] **CLAIM**

The ornamental design for a multi-purpose strainer wrench, as shown and described.

**DESCRIPTION**

FIG. 1 is a rear top perspective view of the multi-purpose strainer wrench embodying my design; FIG. 2 is a bottom plan view thereof; FIG. 3 is a front elevational view thereof; FIG. 4 is a rear elevational view thereof; and, FIG. 5 is a left side elevational view thereof, the right side elevational view being substantially a mirror image.

**1 Claim, 2 Drawing Sheets**



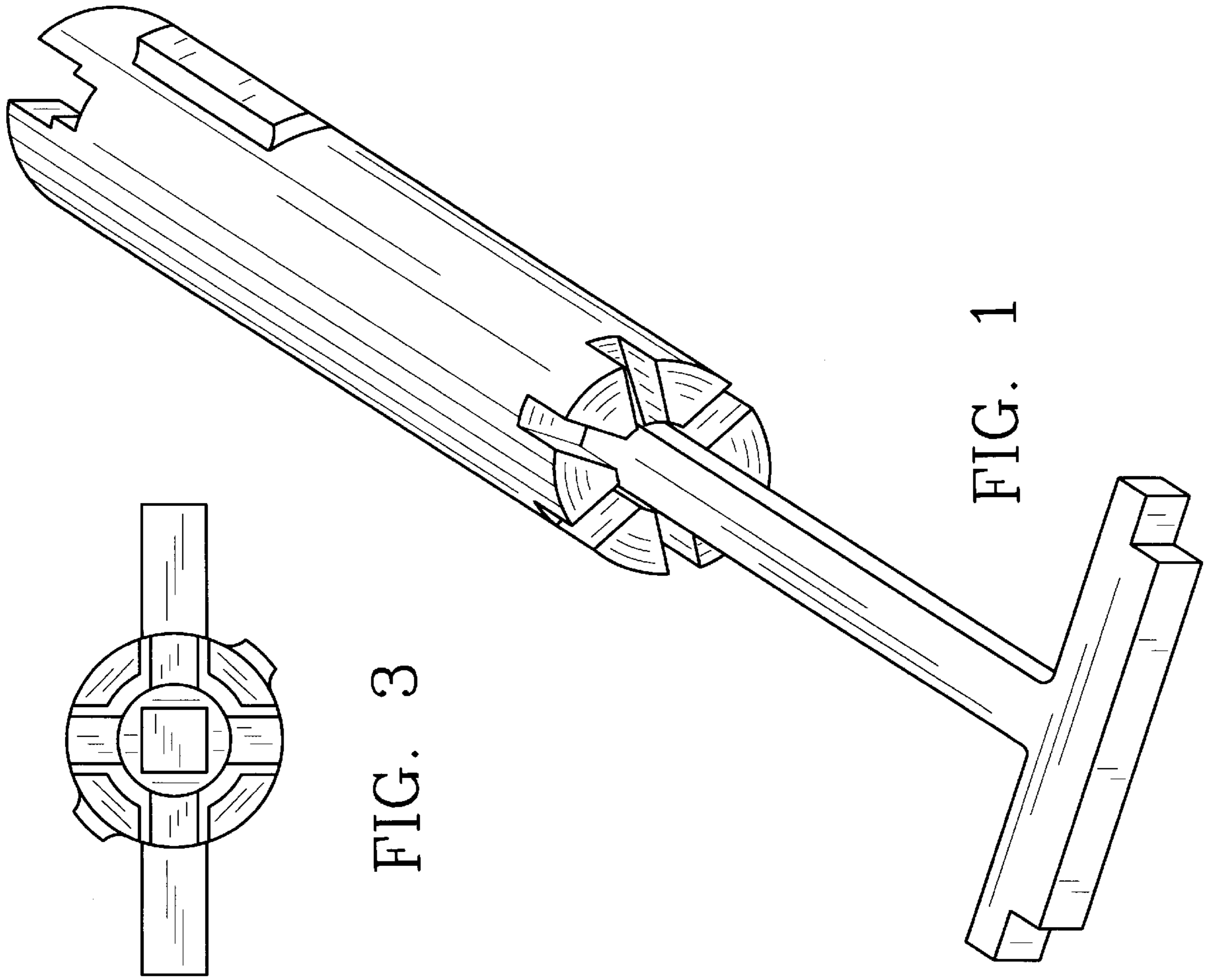


FIG. 1

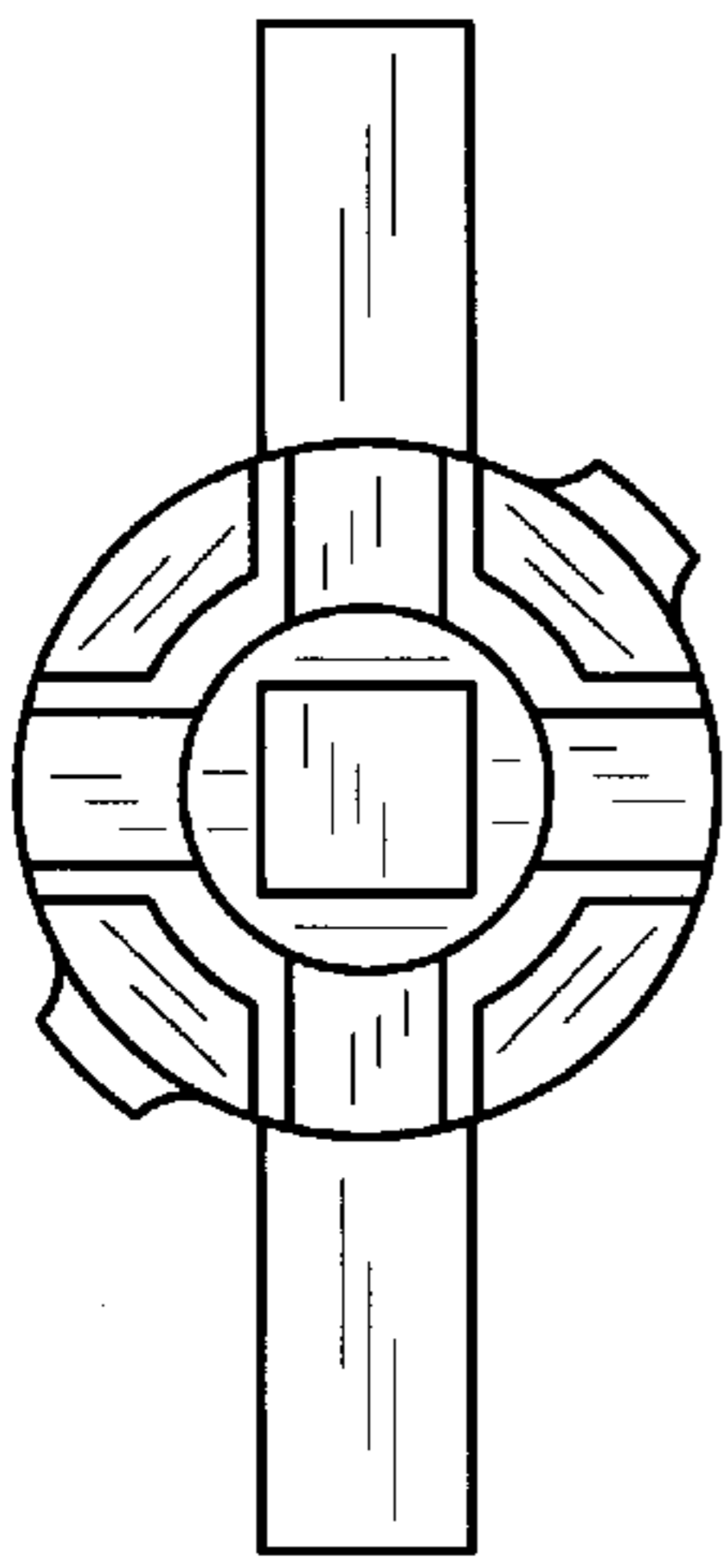


FIG. 3

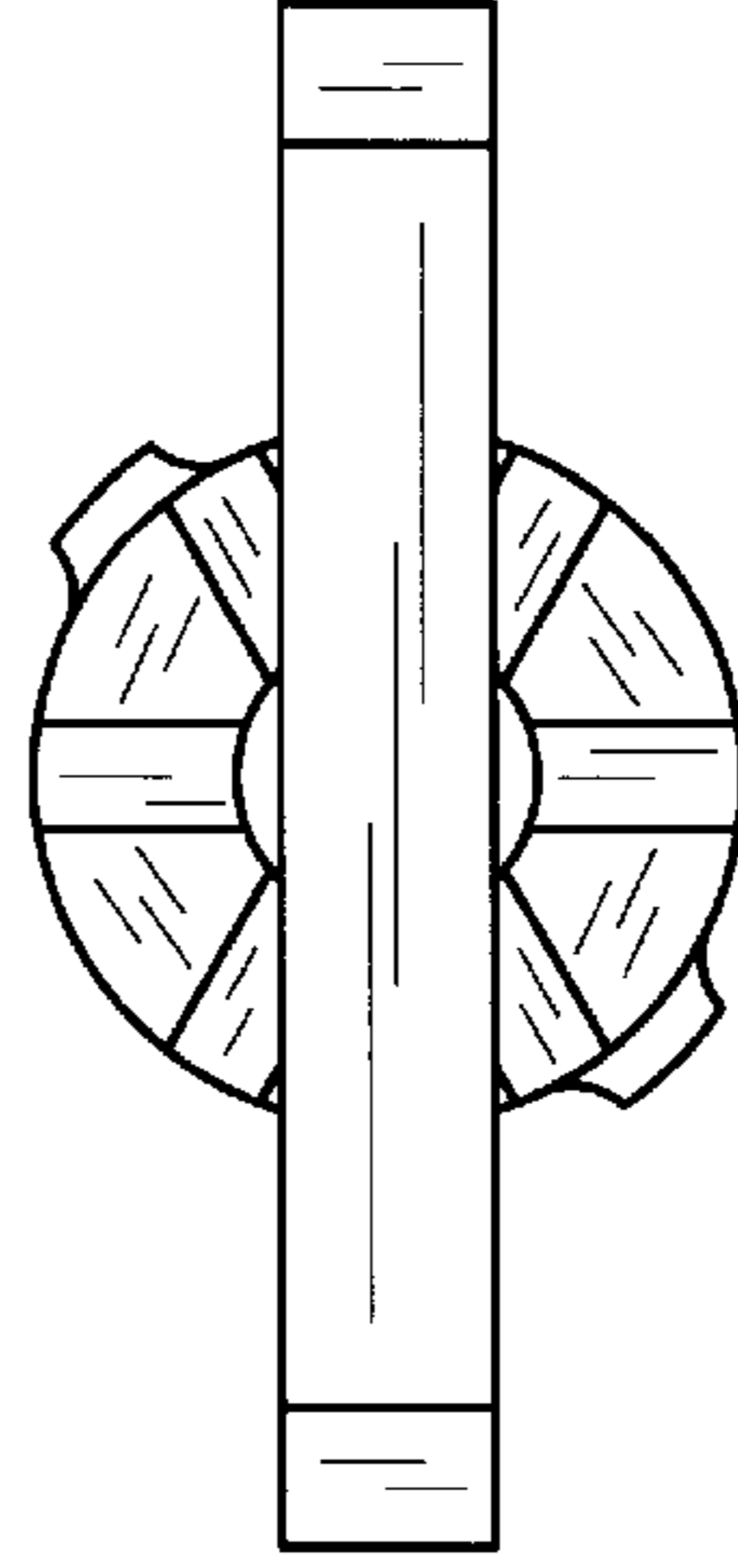


FIG. 4

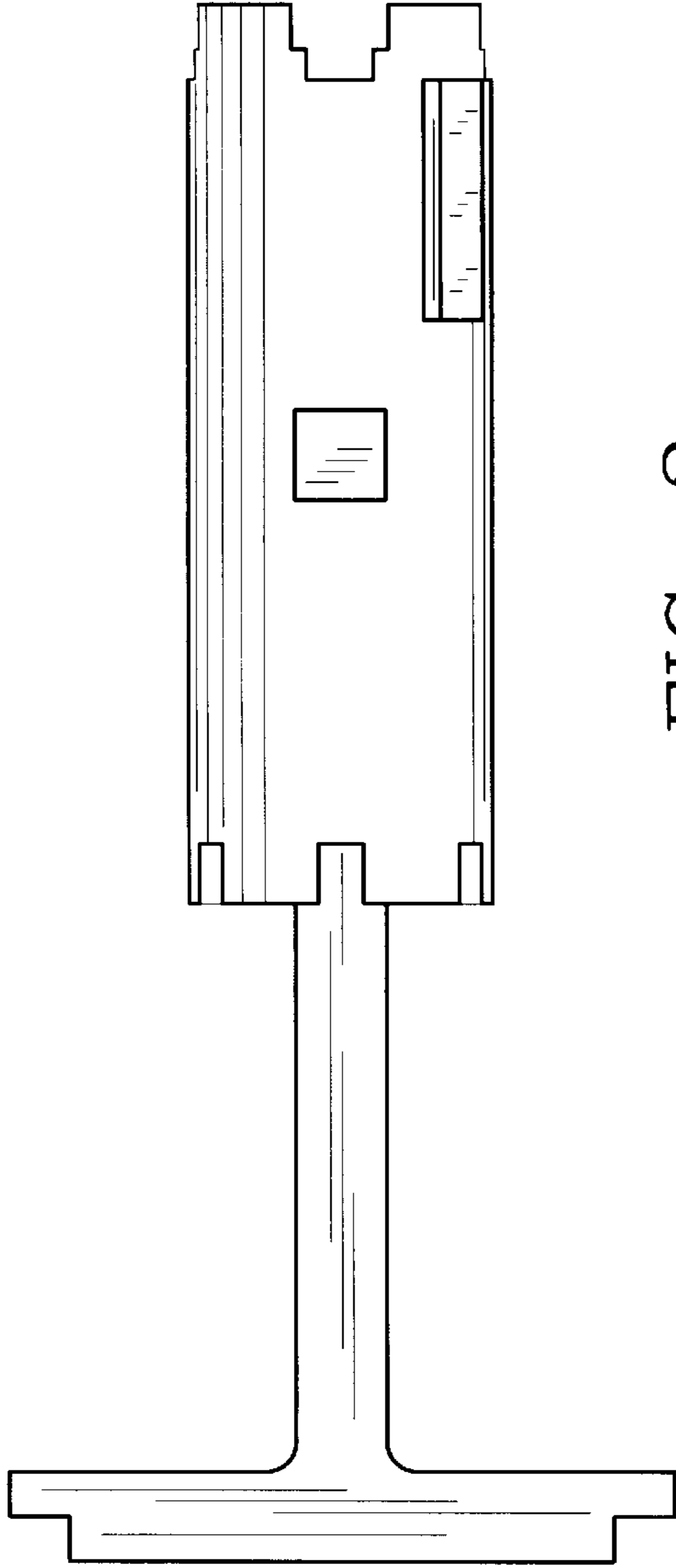


FIG. 2

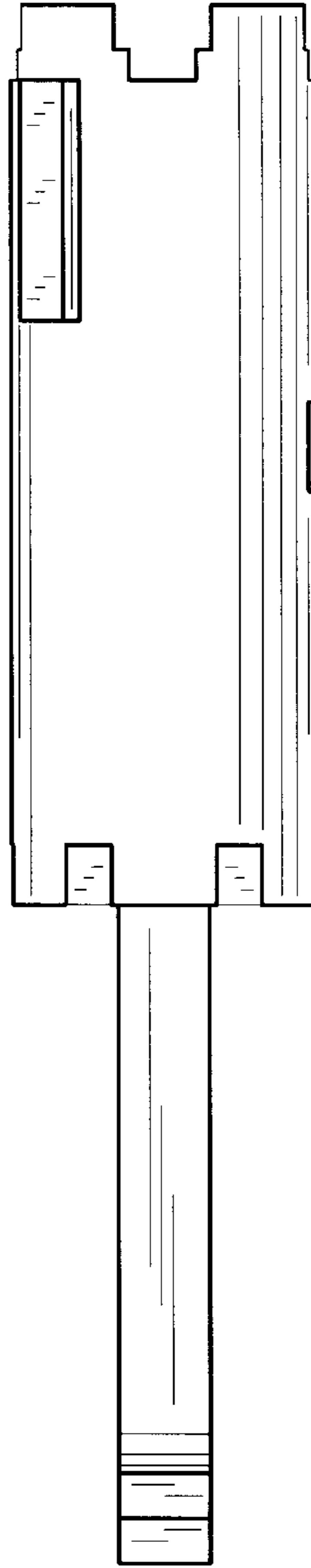


FIG. 5