



US00D400767S

United States Patent [19]
de Saint-Genois

[11] **Patent Number: Des. 400,767**

[45] **Date of Patent: **Nov. 10, 1998**

[54] **KITCHEN UTENSIL**

[75] Inventor: **Arnaud de Saint-Genois**, Paris, France

[73] Assignee: **Matfer et Cie - Societe Anonyme de Distribution de Productions Francaises et Etrangeres Export-Import**, Les Lilas, France

[**] Term: **14 Years**

[21] Appl. No.: **77,271**

[22] Filed: **Oct. 1, 1997**

[30] **Foreign Application Priority Data**

Apr. 7, 1997 [FR] France 972030

[51] **LOC (6) Cl.** **07-04**

[52] **U.S. Cl.** **D7/673**

[58] **Field of Search** D7/673, 678, 693, D7/695, 381; 30/279.6; 83/669, 856, 857; 241/168, 169, 95, 100, 257.1, 273.1, 273.4, 285.2

[56] **References Cited**

U.S. PATENT DOCUMENTS

D. 379,745 6/1997 So D7/381 X
3,495,639 2/1970 Johansson 241/95

Primary Examiner—Terry A. Wallace
Attorney, Agent, or Firm—Baker & Botts, L.L.P.

[57] **CLAIM**

The ornamental design for kitchen utensil, as shown and described.

DESCRIPTION

FIG. 1 is a front perspective view of a kitchen utensil showing my new design;

FIG. 2 is a front elevation view thereof;

FIG. 3 is a top plan view thereof;

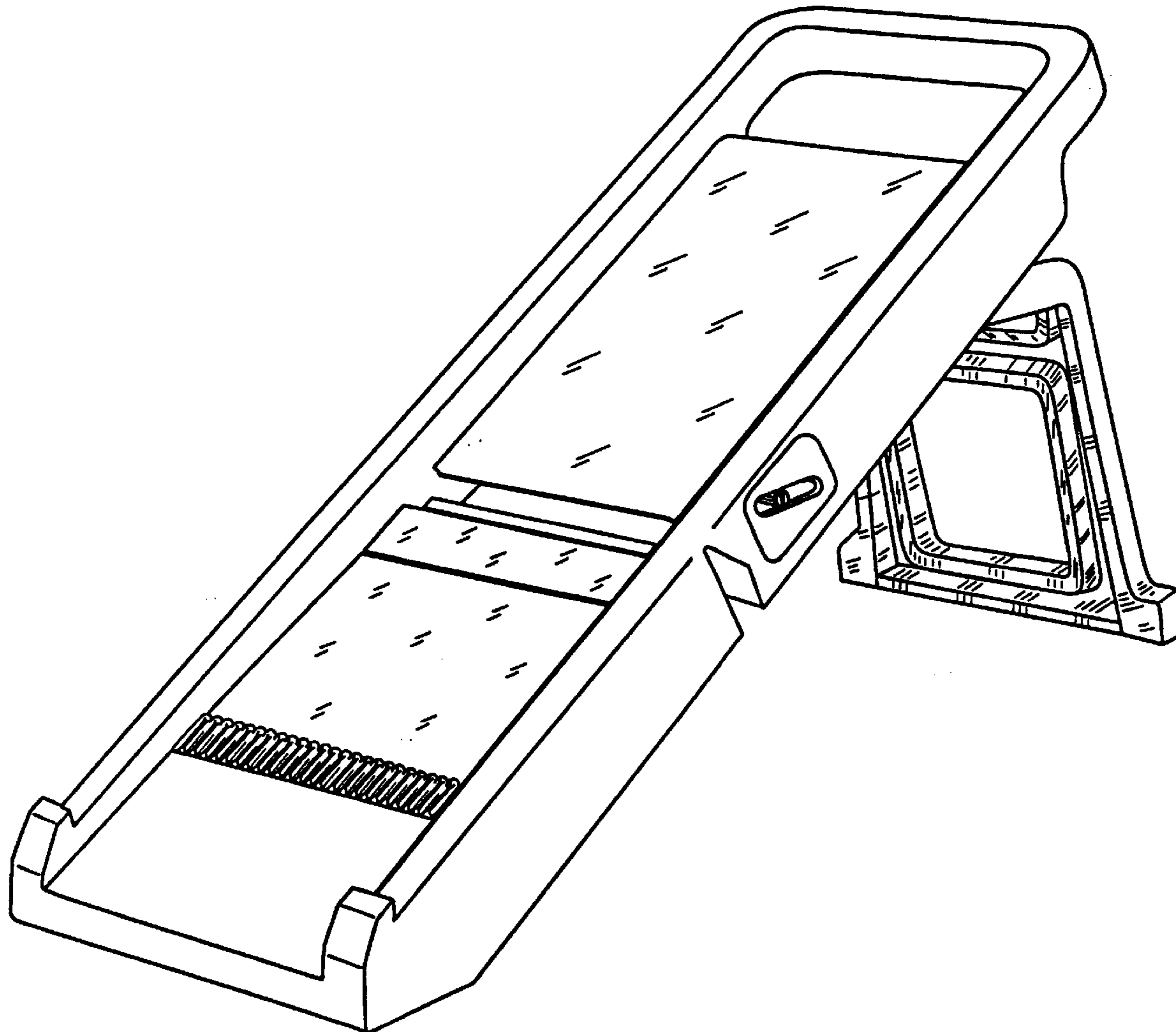
FIG. 4 is a bottom plan view thereof;

FIG. 5 is a rear elevation view thereof;

FIG. 6 is a left side elevation view thereof; and,

FIG. 7 is a right side elevation view thereof.

1 Claim, 7 Drawing Sheets



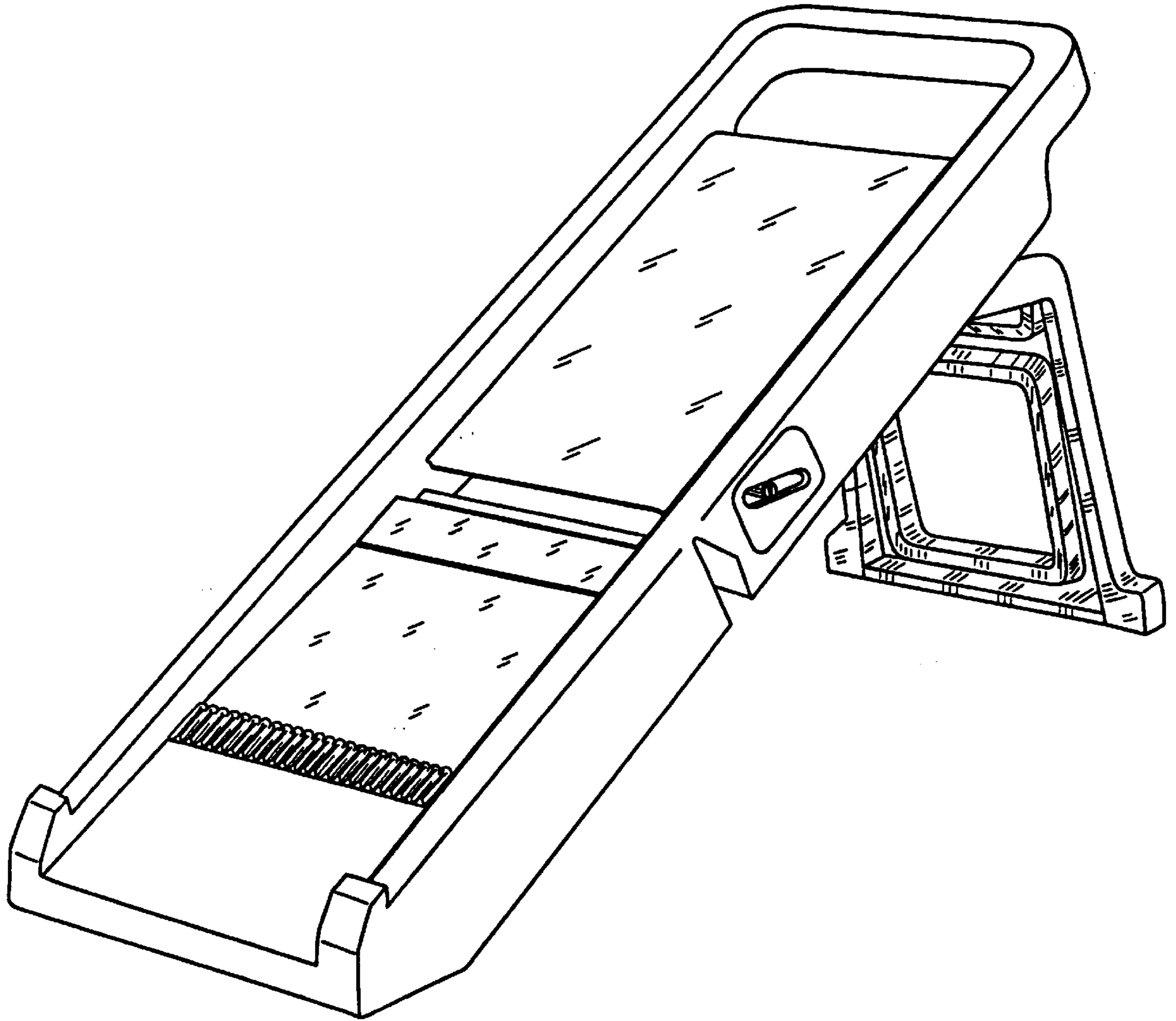


FIG. 1

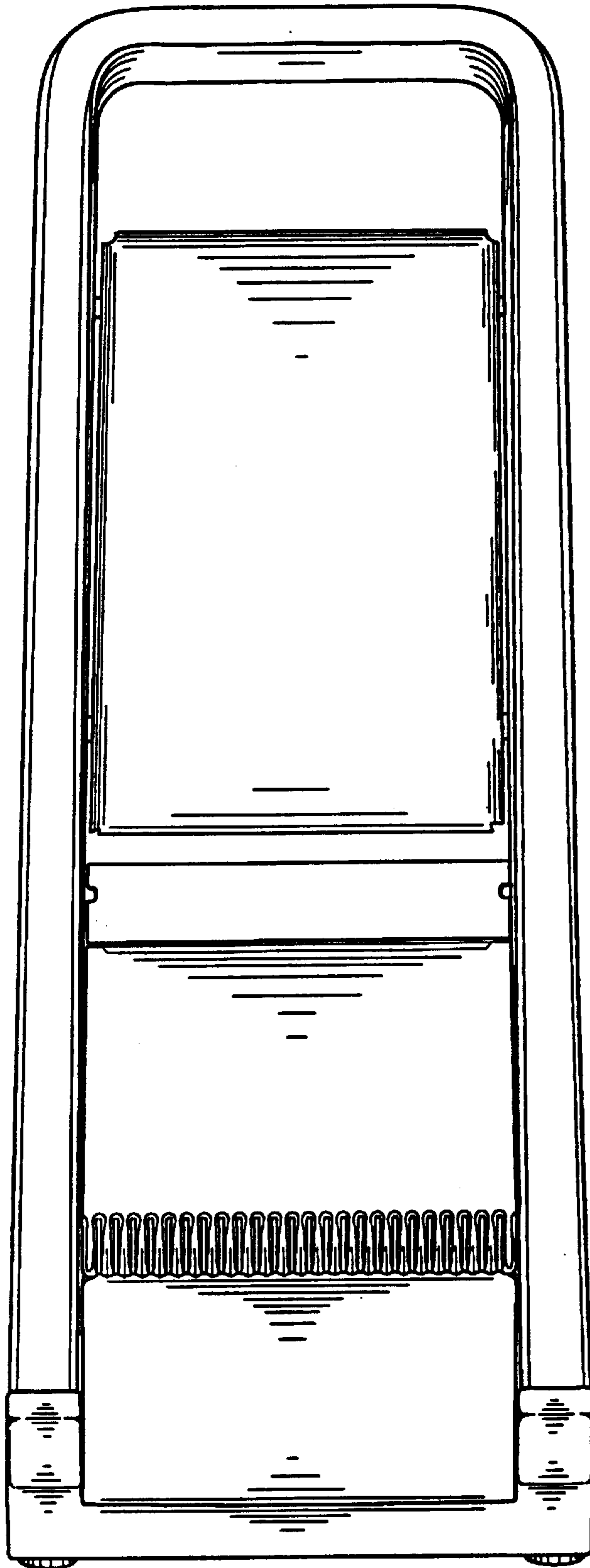


FIG.2

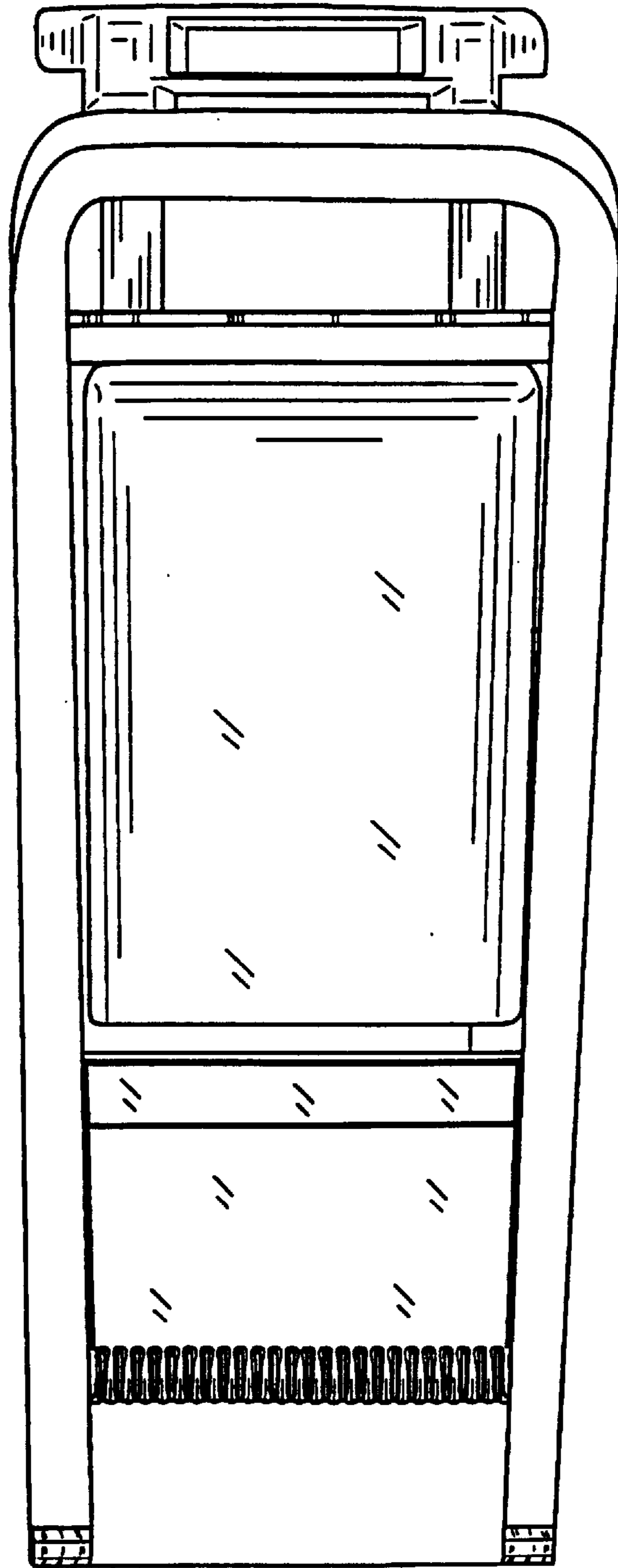


FIG. 3

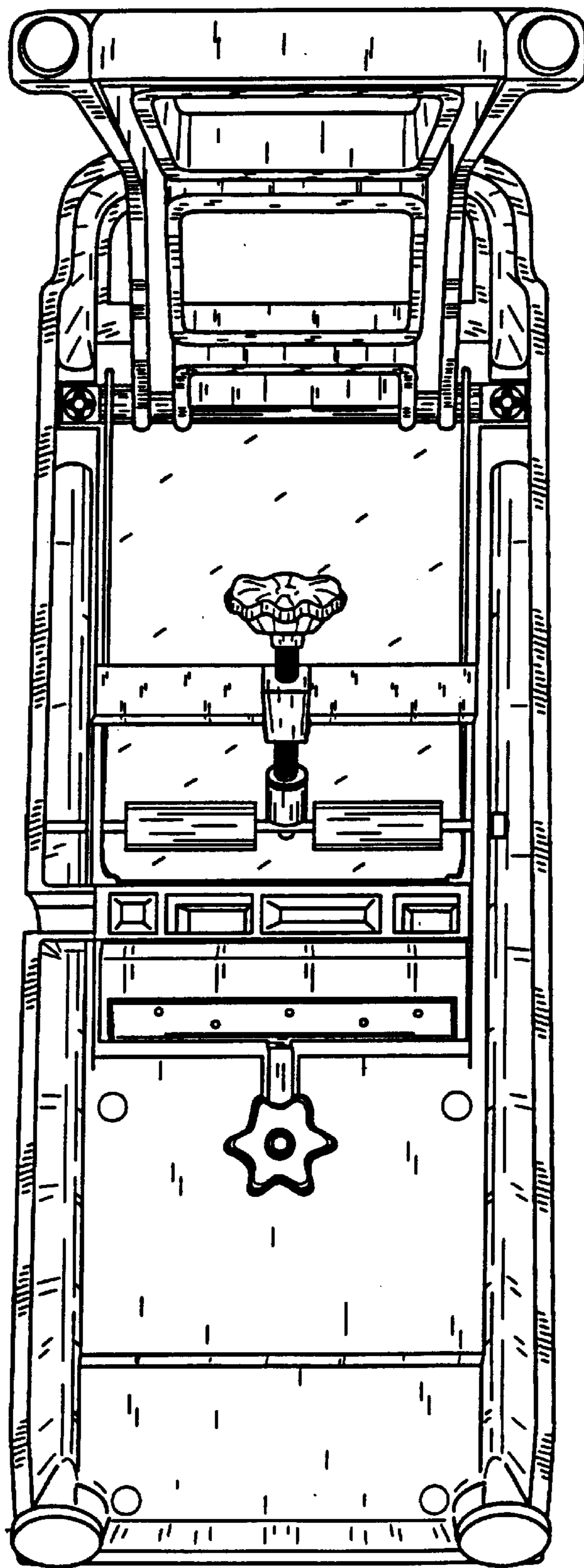


FIG.4

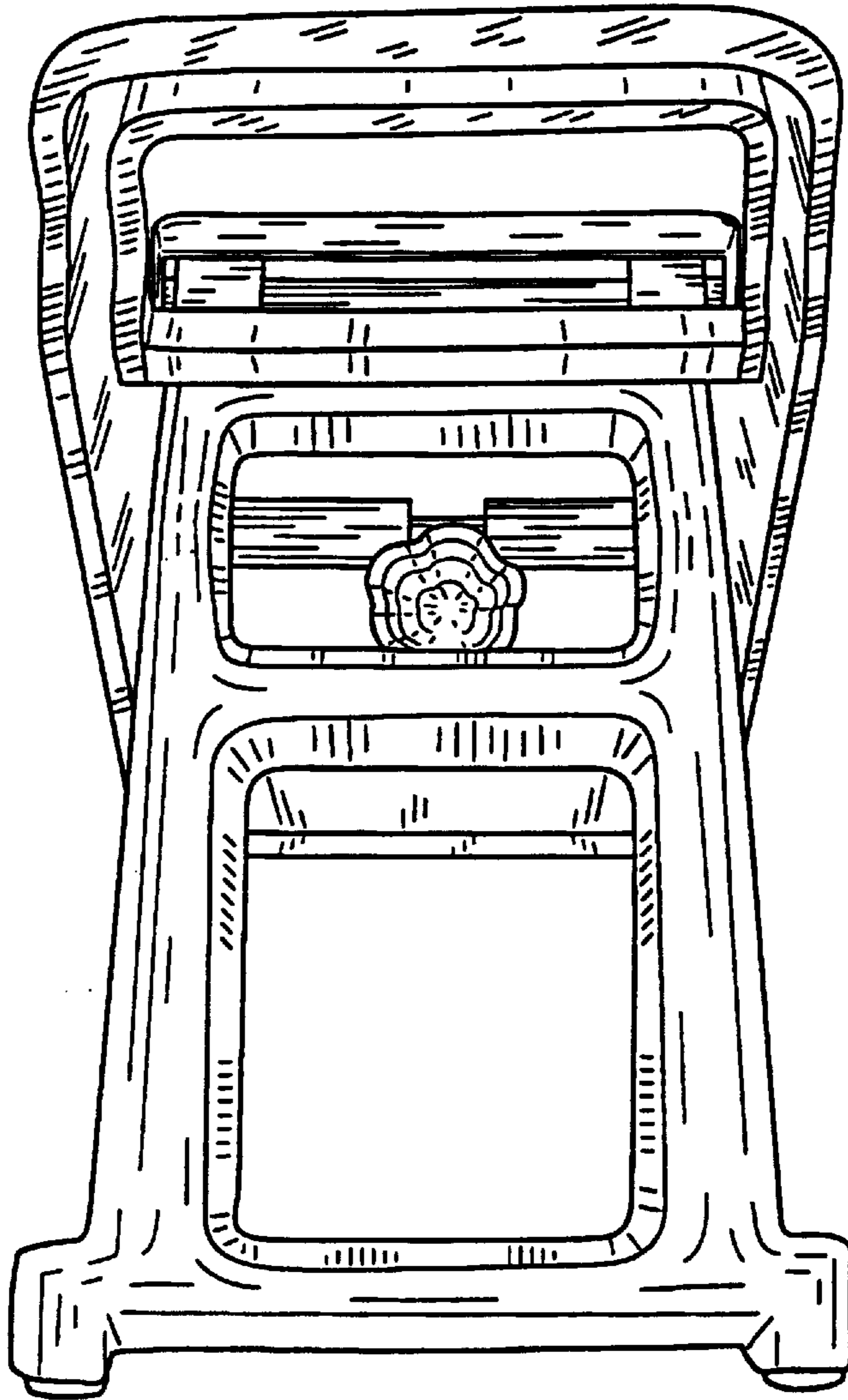


FIG. 5

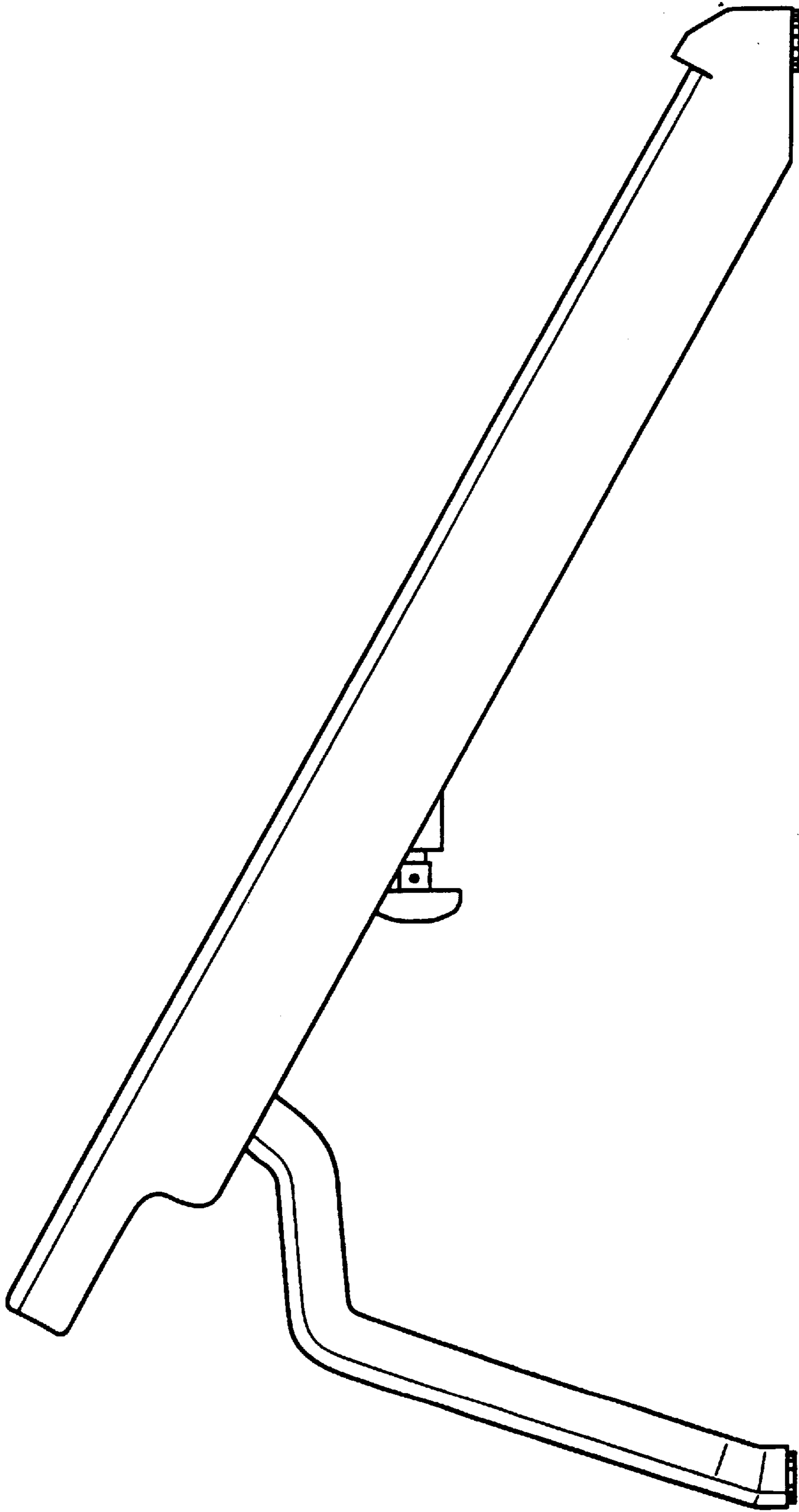


FIG. 6

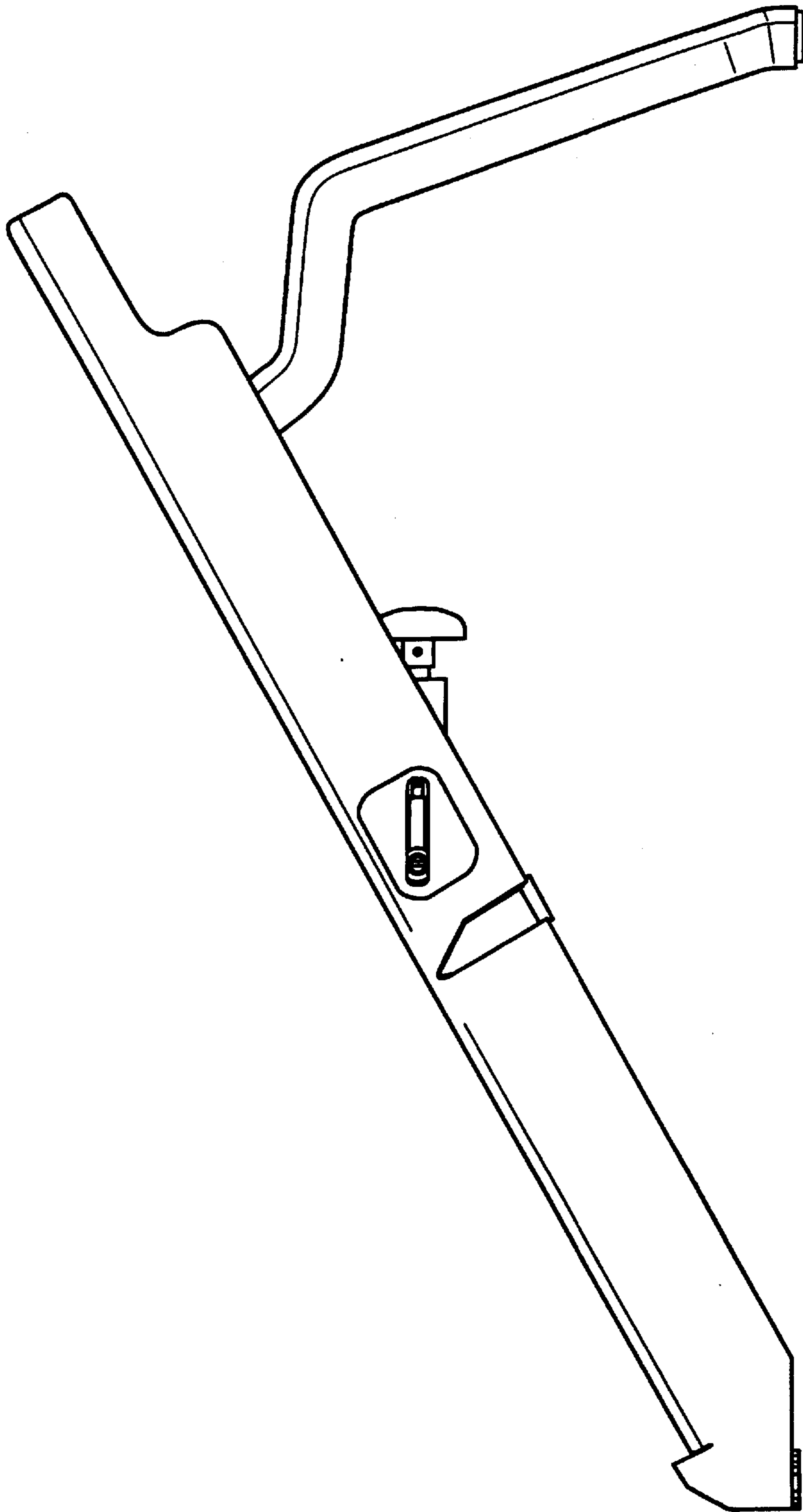


FIG. 7