



US00D400765S

United States Patent [19]

Cohen et al.

[11] **Patent Number: Des. 400,765**

[45] **Date of Patent: **Nov. 10, 1998**

[54] **COLANDER**

3,170,875 2/1965 Swett 210/465

[75] Inventors: **Milton L. Cohen**, Hewlett Bay Park;
Jeff Siegel, Great Neck; **Adam Krent**,
Brooklyn, all of N.Y.

Primary Examiner—Terry A. Wallace
Attorney, Agent, or Firm—Goodman & Teitelbaum, Esqs.

[73] Assignee: **Lifetime Hoan Corporation**, Westbury,
N.Y.

[57] **CLAIM**

The ornamental design for a colander, as shown and described.

[**] Term: **14 Years**

DESCRIPTION

[21] Appl. No.: **66,268**

FIG. 1 is a perspective view of a colander, showing our new design;

[22] Filed: **Feb. 7, 1997**

FIG. 2 is a top plan view thereof;

[51] **LOC (6) Cl.** **07-04**

FIG. 3 is a left side elevational view thereof;

[52] **U.S. Cl.** **D7/667**

FIG. 4 is a front elevational view thereof;

[58] **Field of Search** D7/667, 668, 400;
210/464, 465, 469, 470, 472, 473, 474,
477, 497.01

FIG. 5 is a right side elevational view thereof;

FIG. 6 is a rear elevational view thereof; and,

FIG. 7 is a bottom plan view thereof.

The characteristic feature of the design resides in the polished metal band portion around the upper portion thereof and the polished metal base portion with the remaining portions of the colander being a brushed metal, and also resides in the arrangement of the slotted holes therein.

[56] **References Cited**

U.S. PATENT DOCUMENTS

D. 182,479 4/1958 Roop D7/667
2,541,094 2/1951 Pesenti 210/464 X

1 Claim, 2 Drawing Sheets

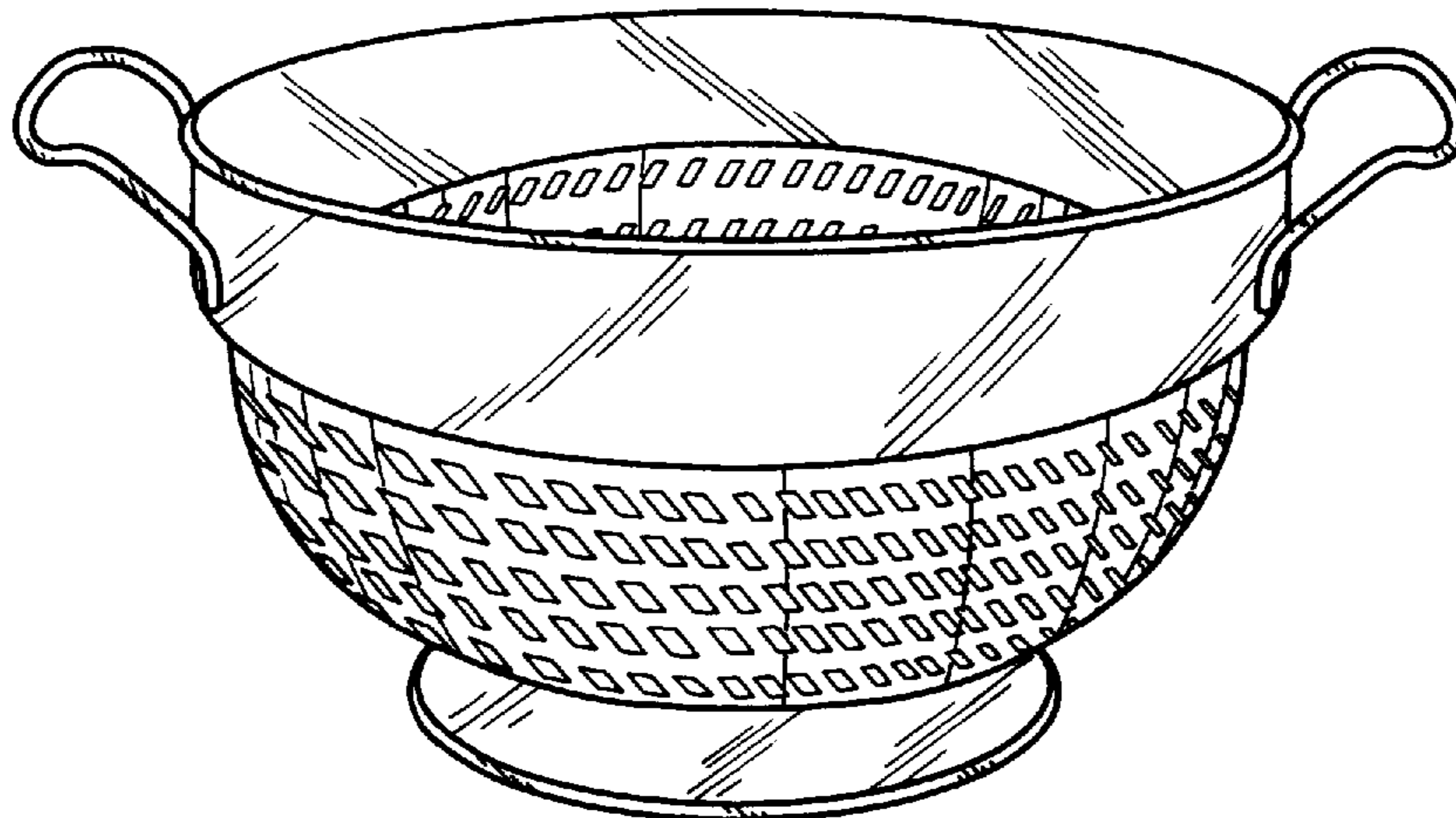


FIG.1

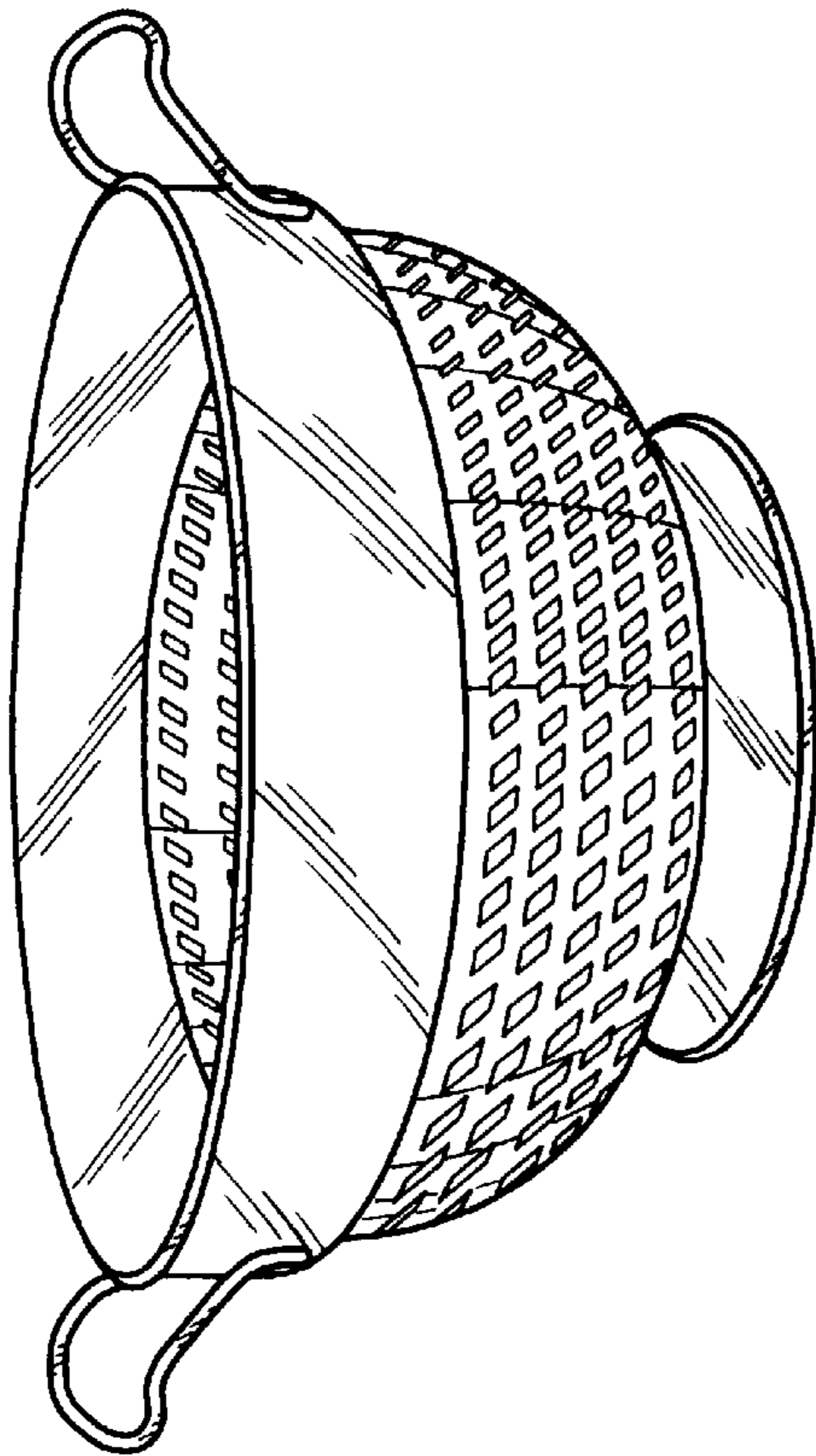


FIG.2

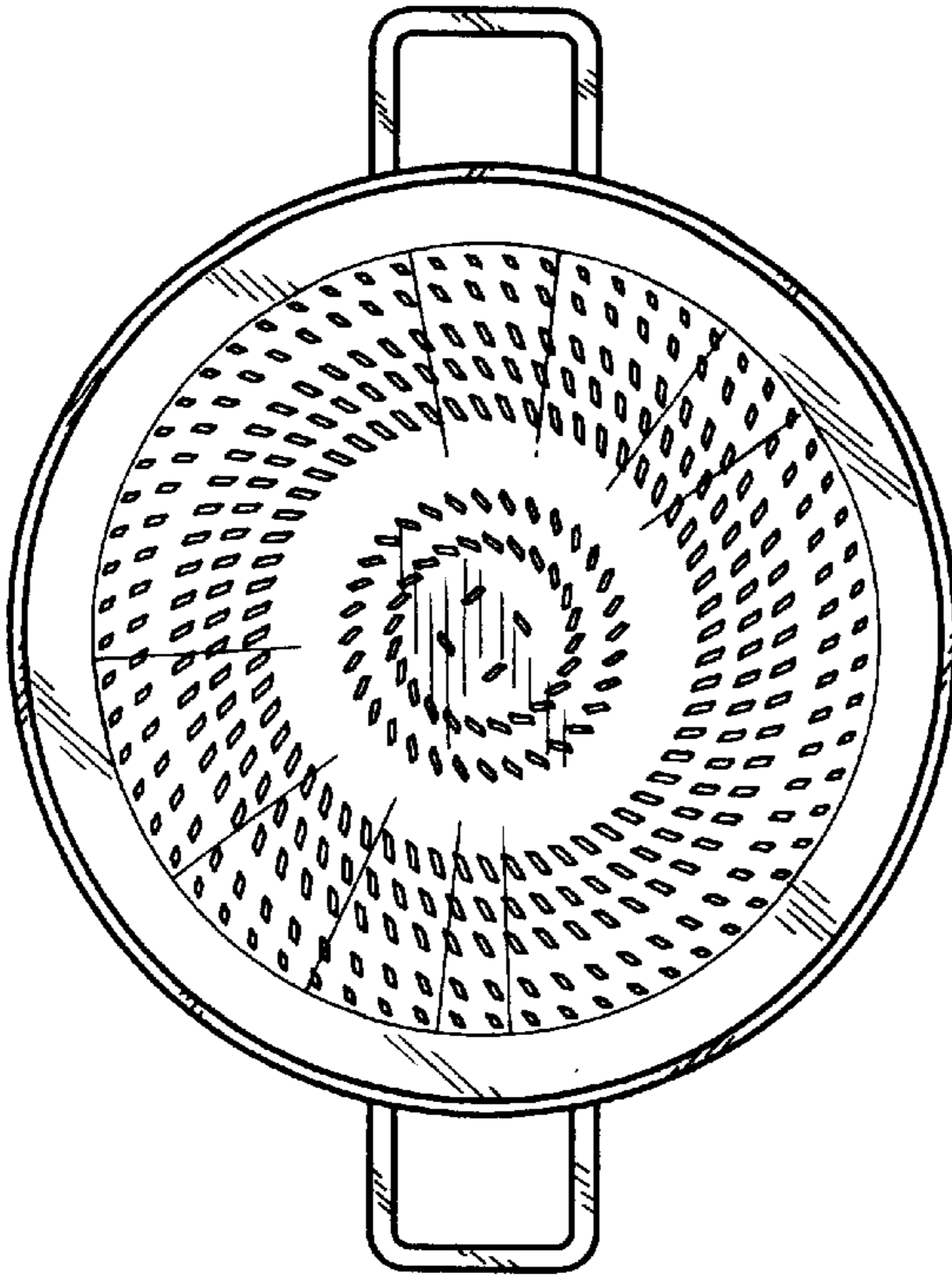


FIG.3

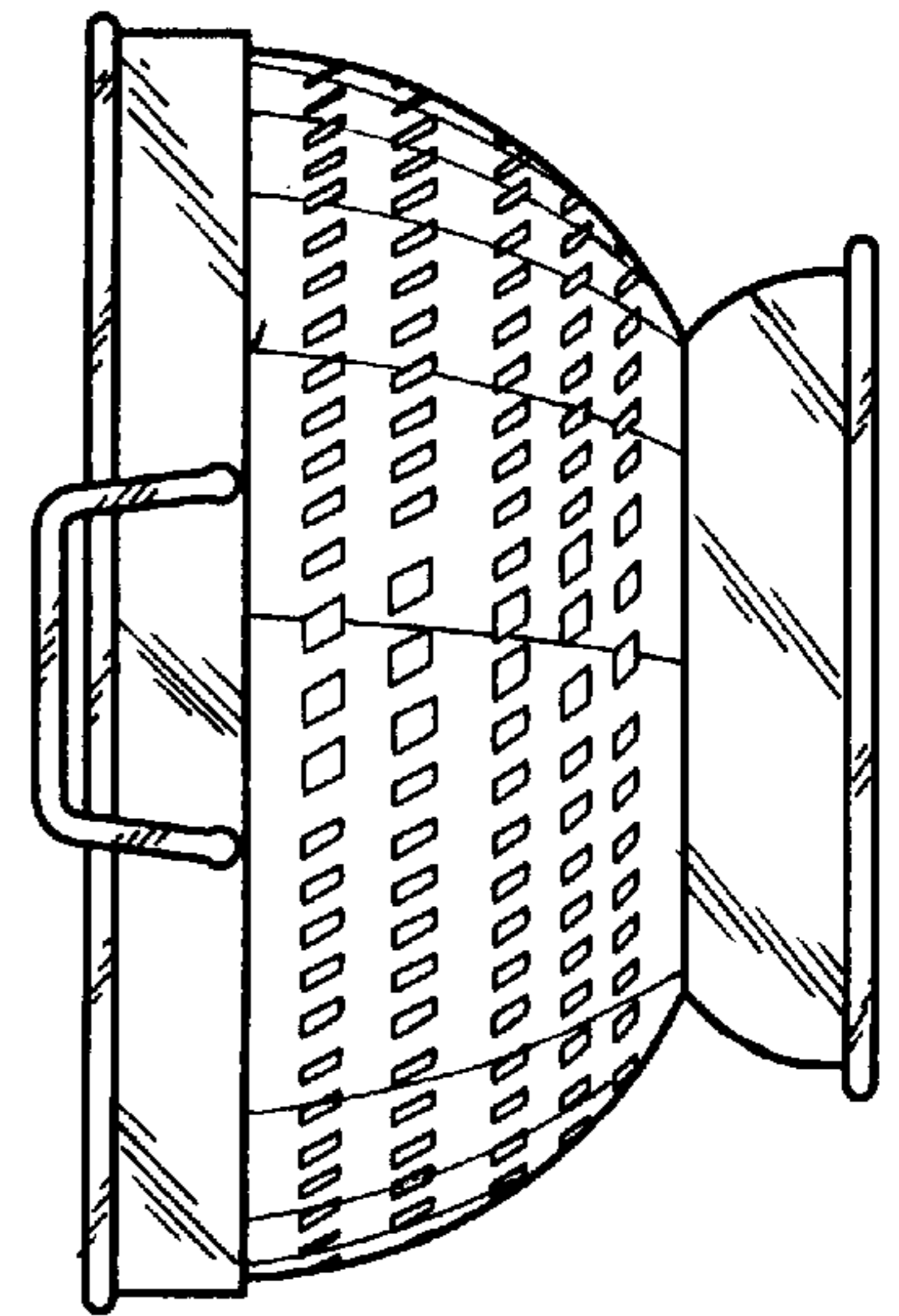


FIG.4

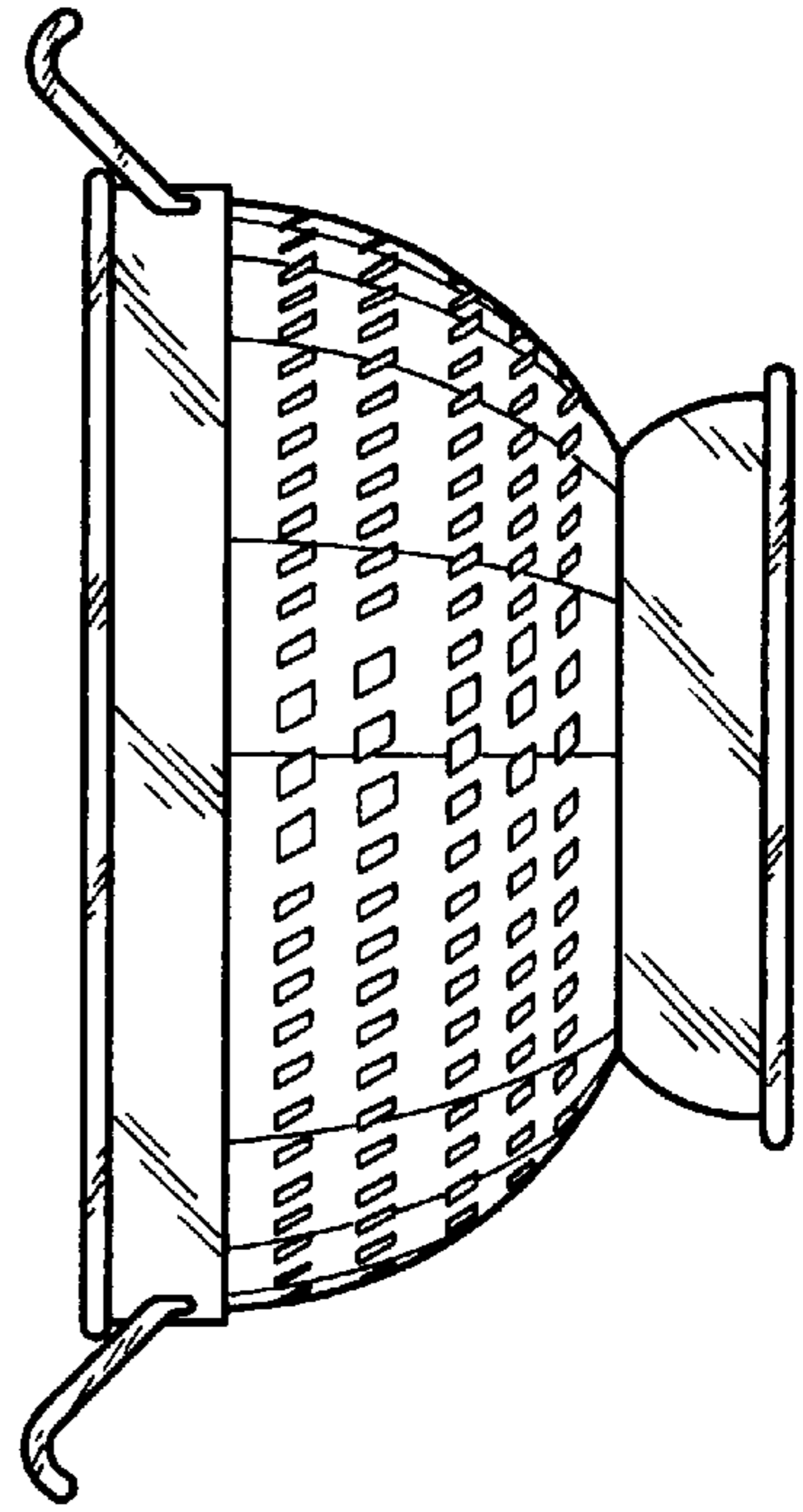


FIG.6

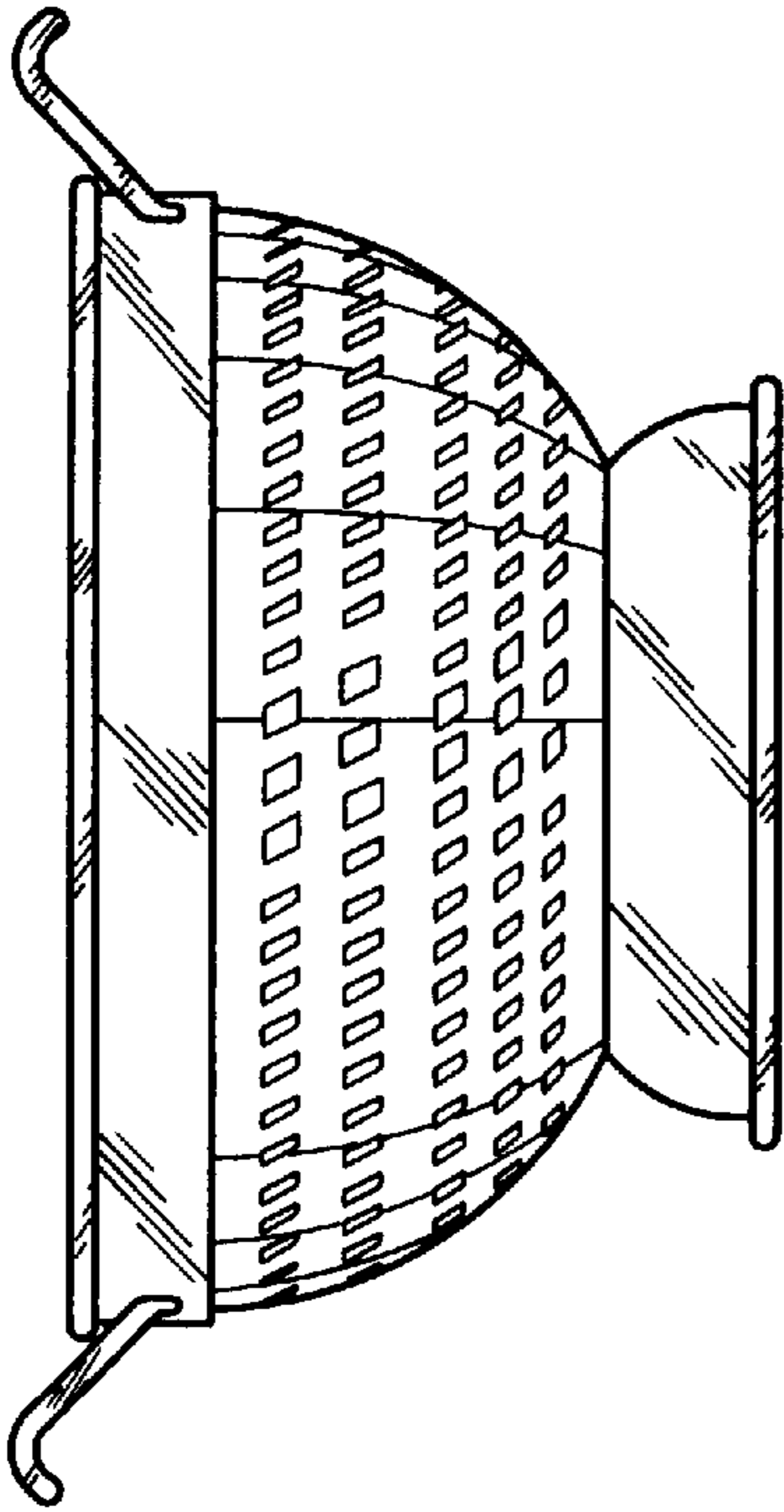


FIG.5

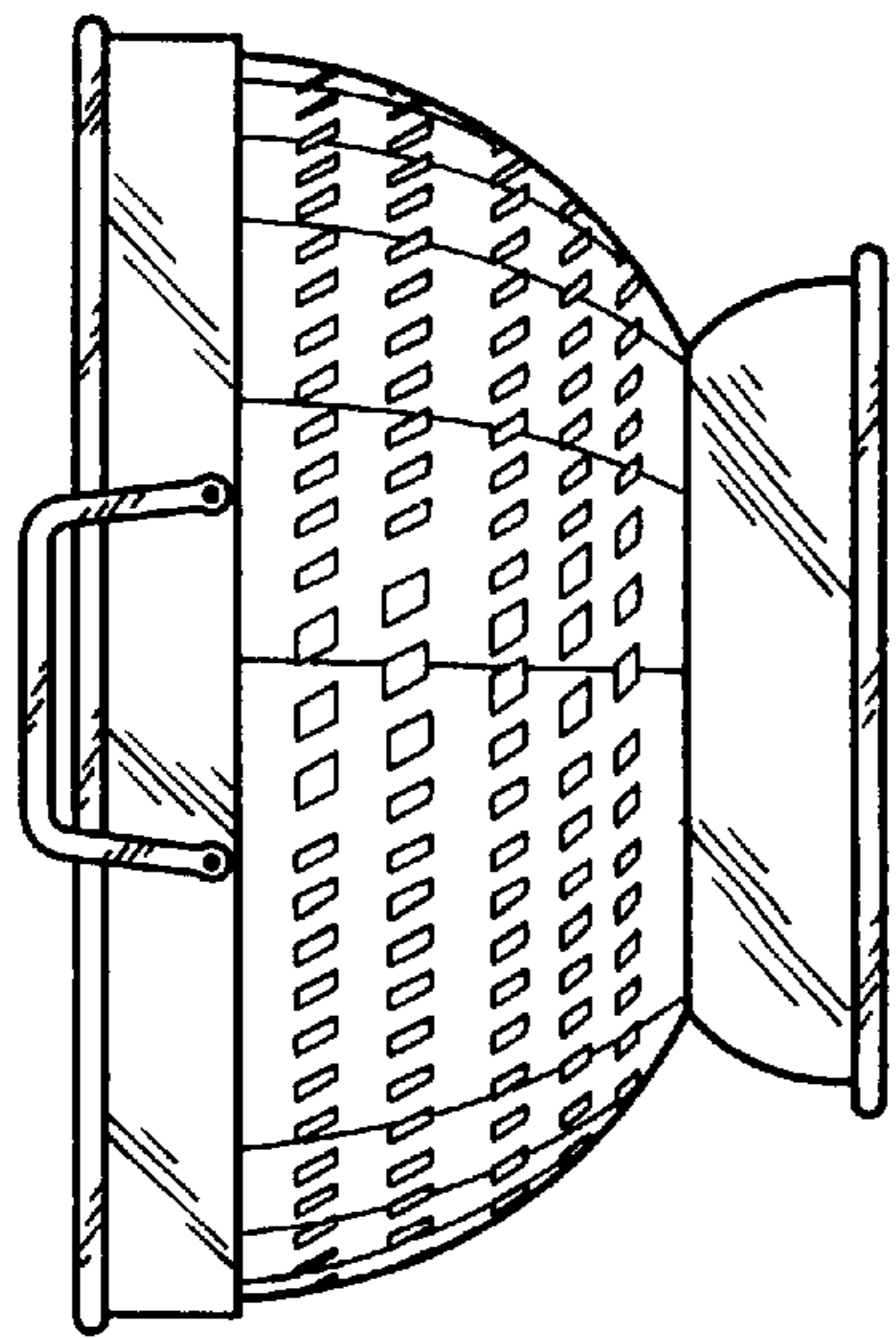


FIG.7

