



US00D400764S

United States Patent [19]
Bertilsson

[11] **Patent Number: Des. 400,764**

[45] **Date of Patent: **Nov. 10, 1998**

[54] **KNIFE RACK**

D. 109,757 5/1938 Rackmales D7/640 X
660,853 10/1900 Jennings 211/60.1
5,379,885 1/1995 Chen 211/70.6 X

[75] Inventor: **Sonny Bertilsson**, Tranemo, Sweden

[73] Assignee: **Sunwood AB**, Sweden

[**] Term: **14 Years**

Primary Examiner—Terry A. Wallace
Attorney, Agent, or Firm—D. Peter Hochberg

[21] Appl. No.: **77,448**

[22] Filed: **Oct. 3, 1997**

[57] **CLAIM**

I claim the ornamental design for a knife rack, as shown and described.

[30] **Foreign Application Priority Data**

Apr. 3, 1997 [SE] Sweden 97-0768

DESCRIPTION

[51] **LOC (6) Cl.** **06-04**

[52] **U.S. Cl.** **D7/637**

[58] **Field of Search** D6/415, 457, 458;
D7/637-641; 211/60.1, 70, 70.6, 70.7

FIG. 1 is a top, front perspective view of a knife rack showing my new design; and,

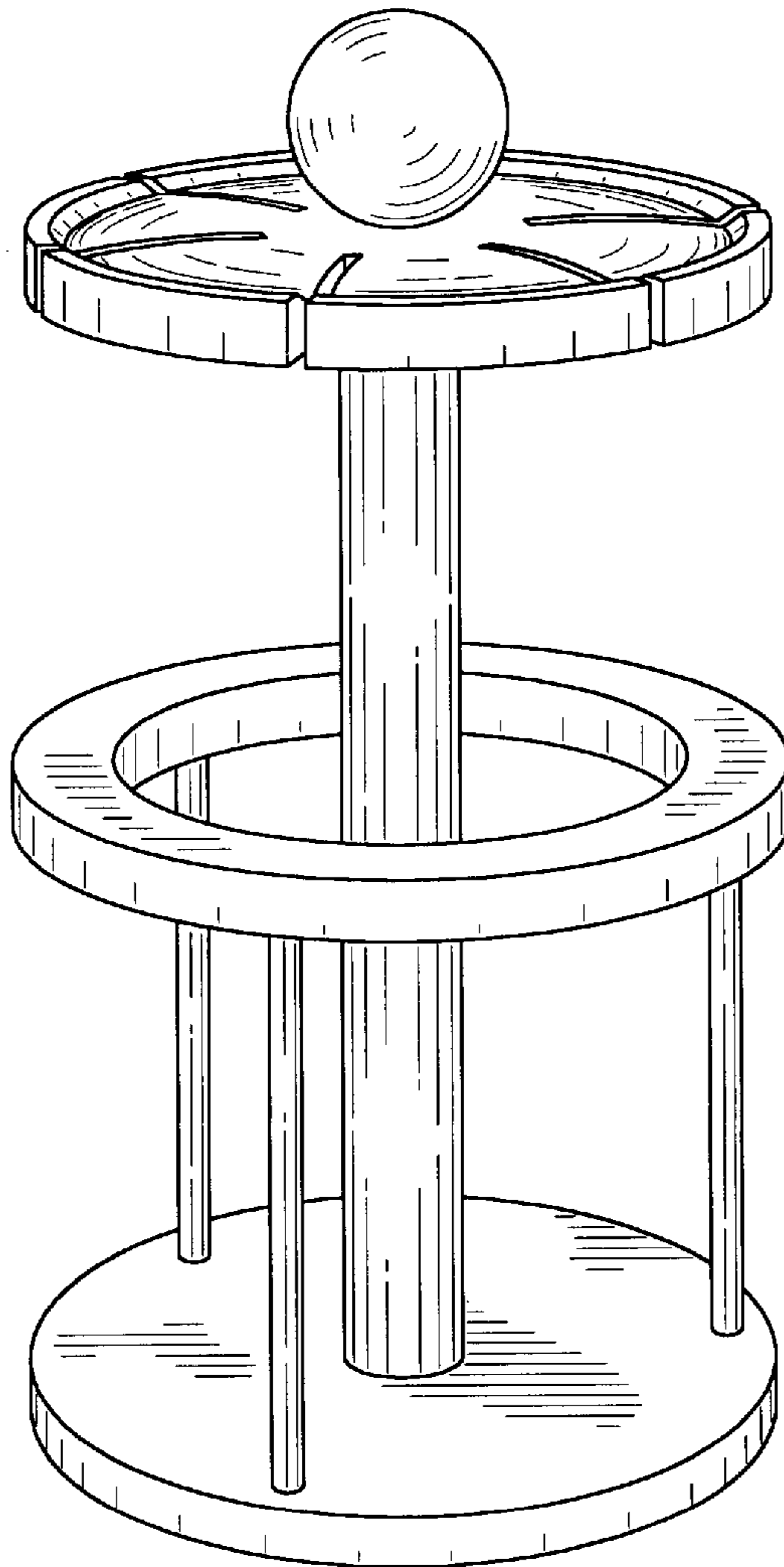
FIG. 2 is a bottom rear perspective view thereof.

[56] **References Cited**

U.S. PATENT DOCUMENTS

D. 67,378 5/1925 Walker 211/60.1 X

1 Claim, 1 Drawing Sheet



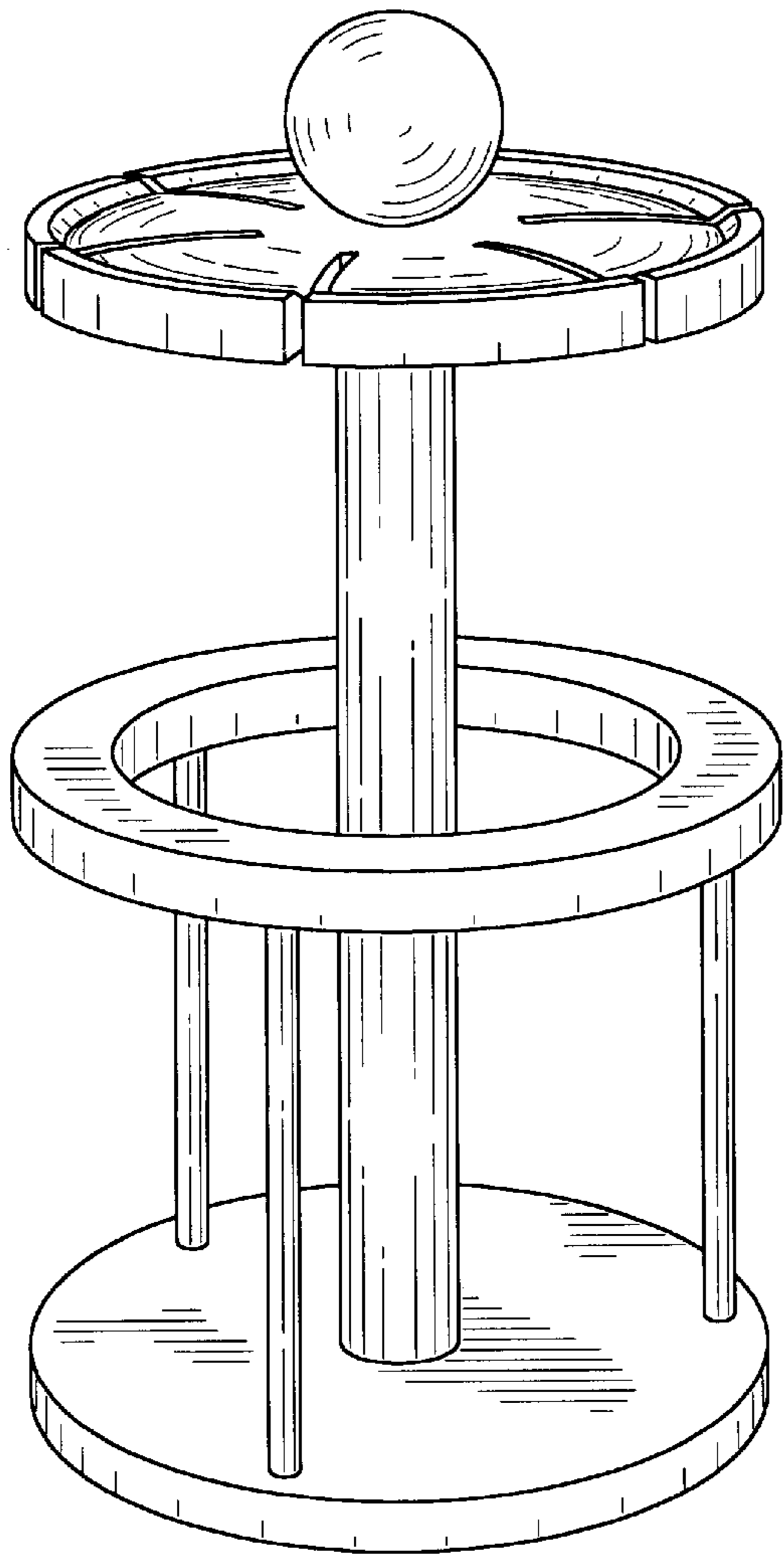


FIG-1

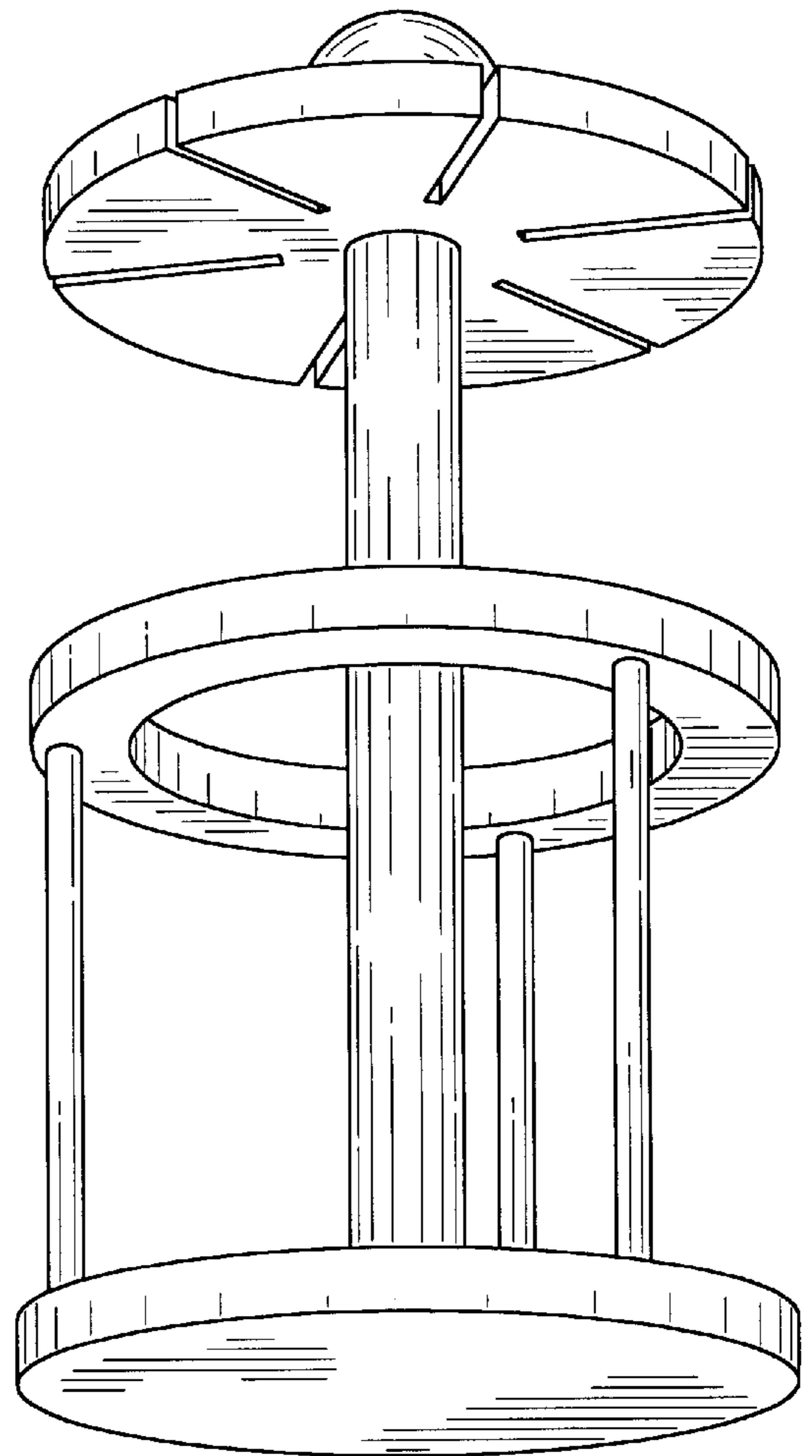


FIG-2