



US00D400763S

United States Patent [19]

Taylor et al.

[11] Patent Number: Des. 400,763

[45] Date of Patent: **Nov. 10, 1998

[54] **HOLDER FOR OVERSIZE BEVERAGE CONTAINERS**

D. 370,392	6/1996	Flanagan	D7/619
2,666,310	1/1954	Hill	248/146
5,088,673	2/1992	Chandler	248/311.2

[76] Inventors: **Daniel N. Taylor**, 22614 Black Willow Dr., Tomball, Tex. 77375; **Trenton E. Taylor**, 2420 Yorktown #488, Houston, Tex. 77056

Primary Examiner—Terry A. Wallace
Attorney, Agent, or Firm—Kenneth A. Roddy

[**] Term: **14 Years**

[57] **CLAIM**

[21] Appl. No.: **78,788**

The ornamental design for a holder for oversize beverage containers, as shown and described.

[22] Filed: **Nov. 3, 1997**

DESCRIPTION

[51] **LOC (6) Cl.** **07-06**

FIG. 1 is an isometric view of a holder for oversize beverage containers showing our new design from the top and front; FIG. 2 is an isometric view thereof shown from the bottom and rear;

[52] **U.S. Cl.** **D7/619**

[58] **Field of Search** D7/605-608, 619-625; D12/419; 211/71, 74; 215/386, 395; 220/703, 711, 737, 738, 739; 224/401, 402, 406, 483, 544, 926; 248/146, 311.2, 911

FIG. 3 is a cross-sectional view thereof taken along line 3-3 of FIG. 2;

FIG. 4 is a top plan view thereof; and,

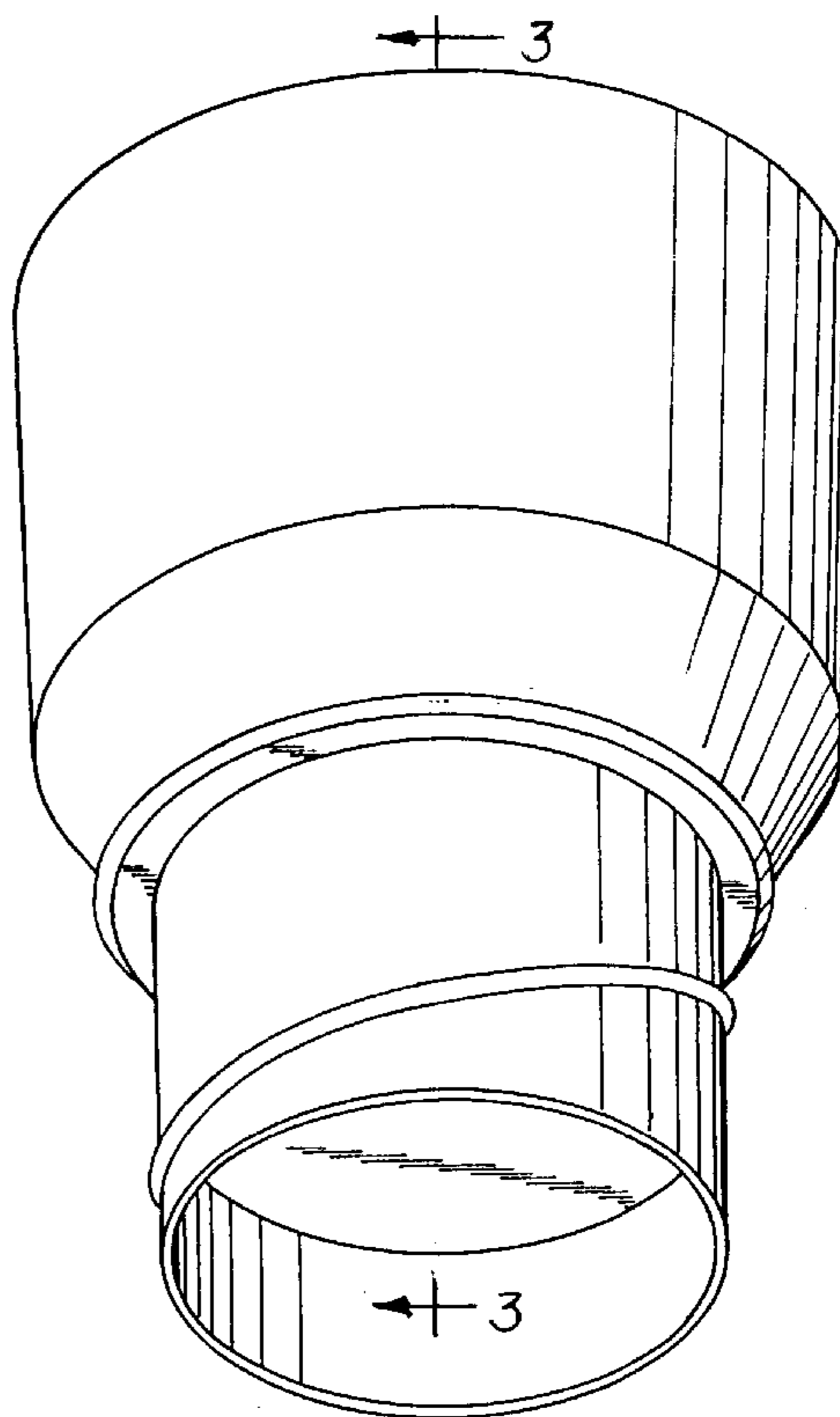
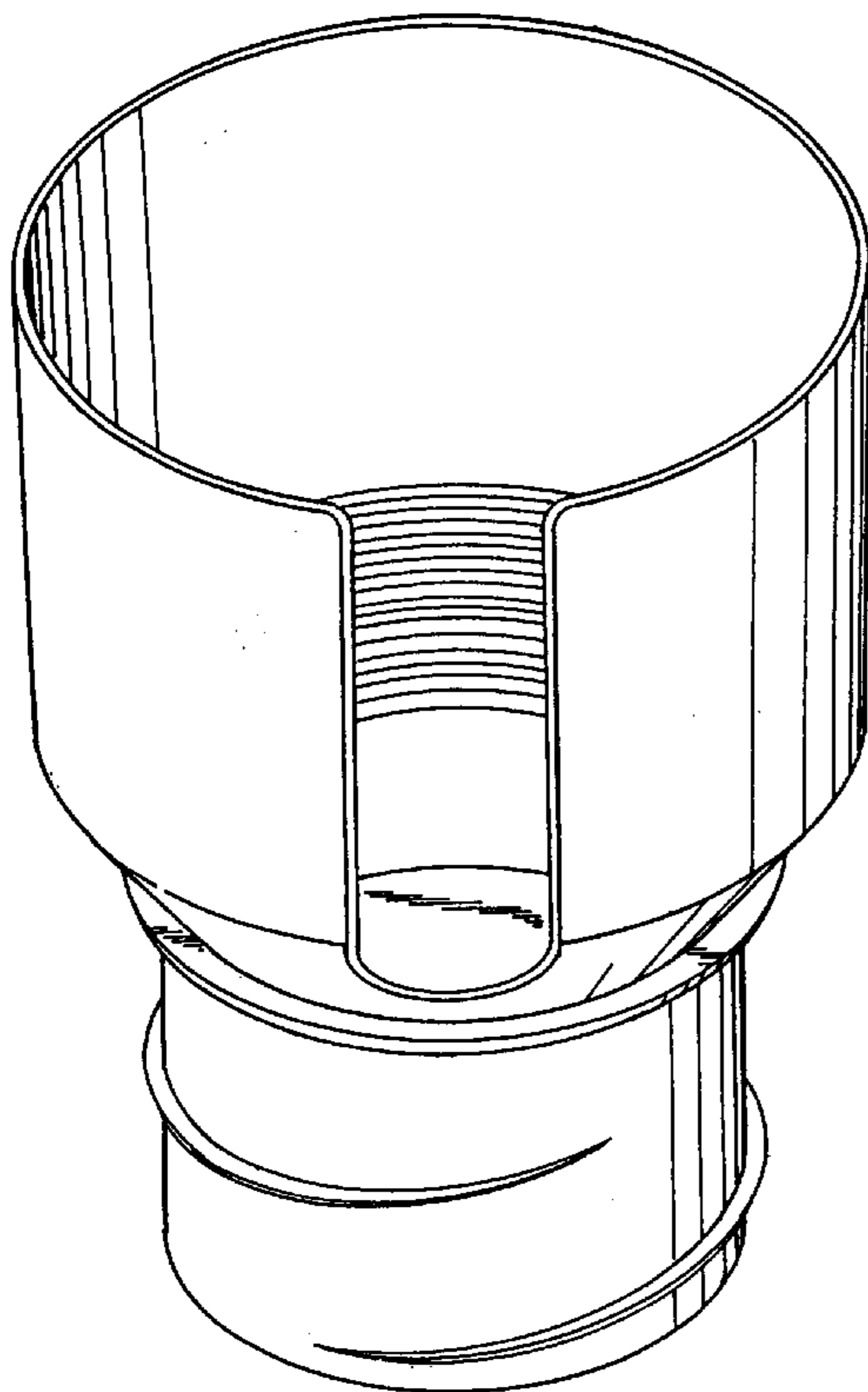
FIG. 5 is a bottom plan view thereof.

[56] References Cited

U.S. PATENT DOCUMENTS

D. 316,013 4/1991 Jones D7/608

1 Claim, 2 Drawing Sheets



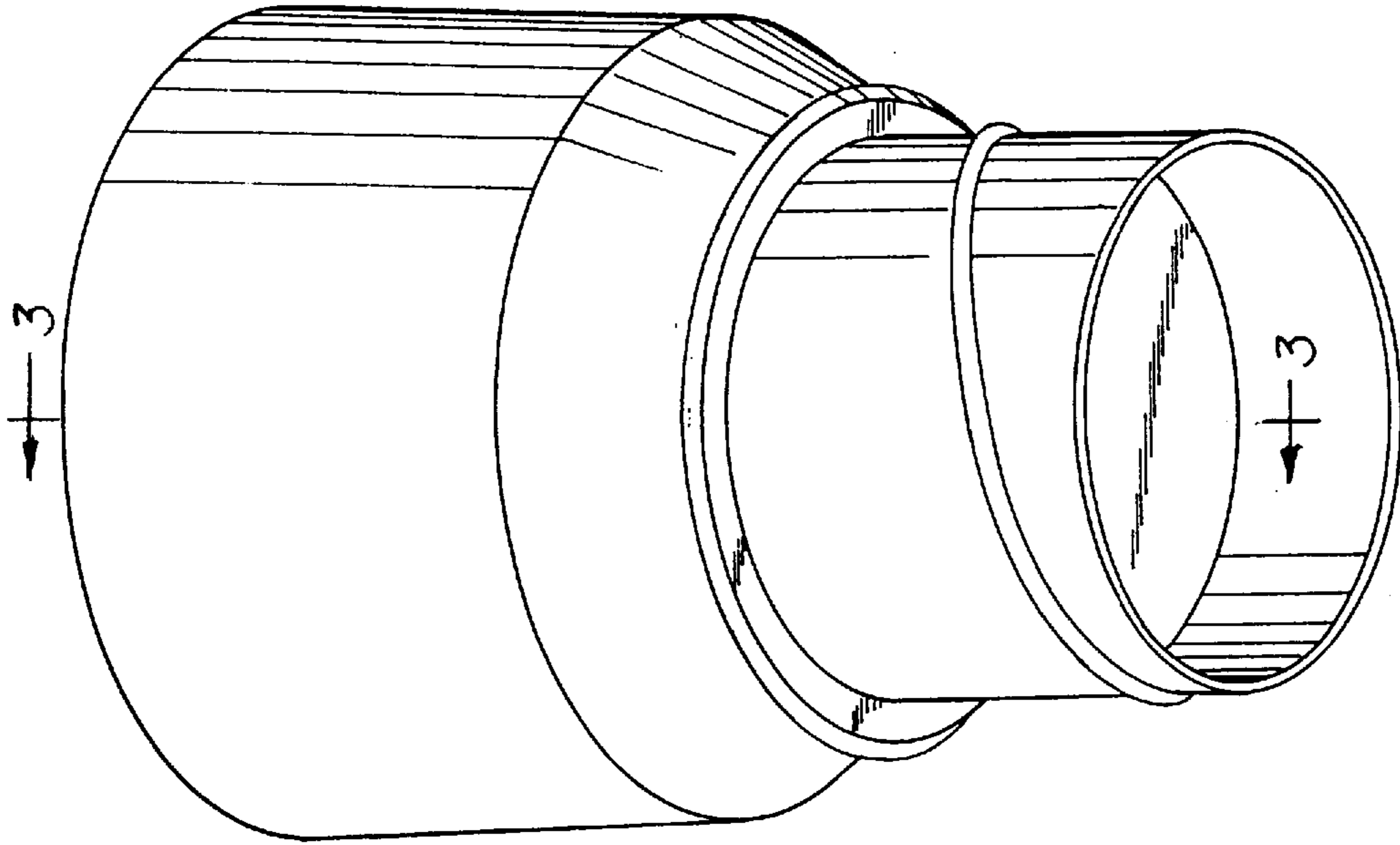


fig. 2

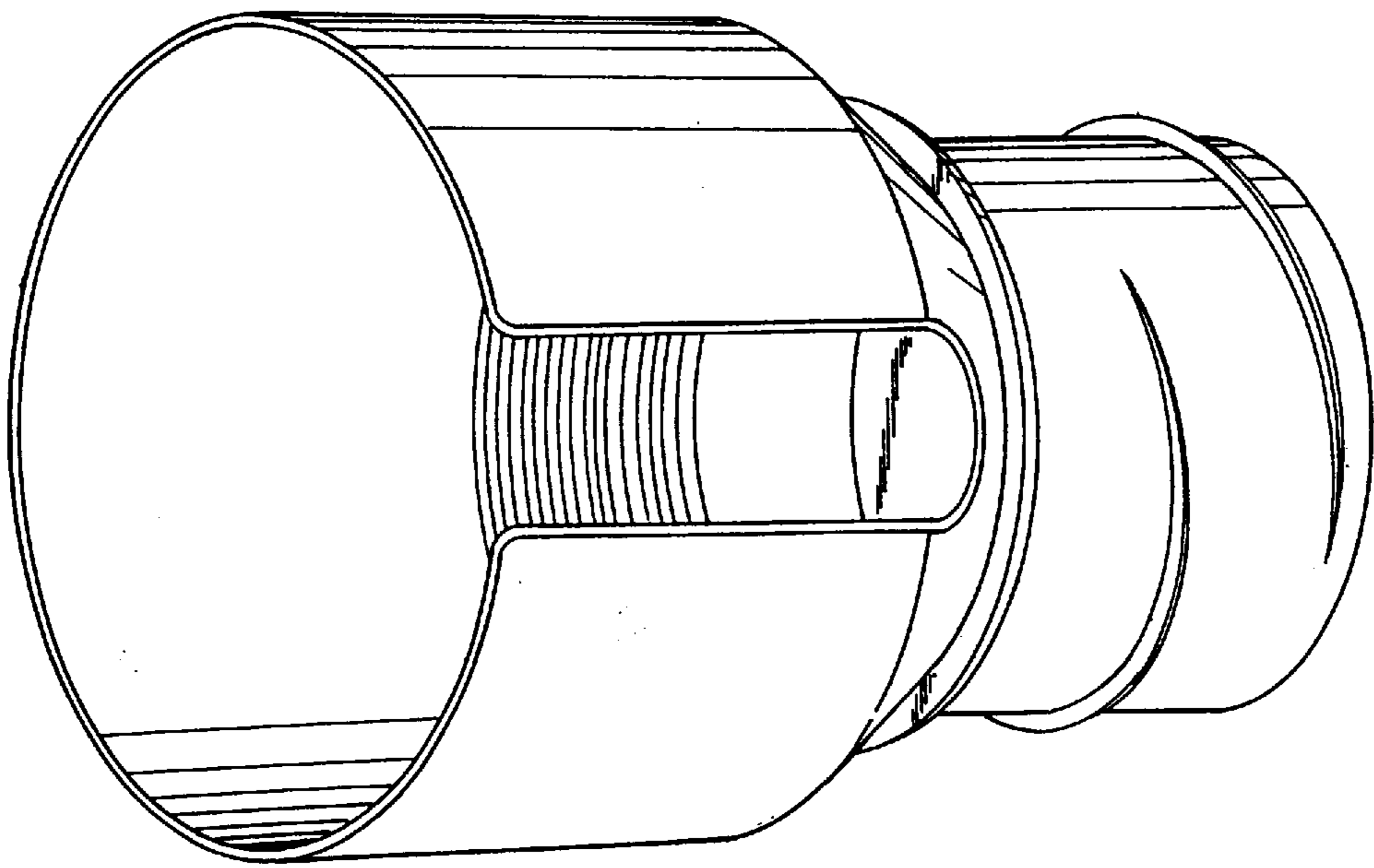


fig. 1

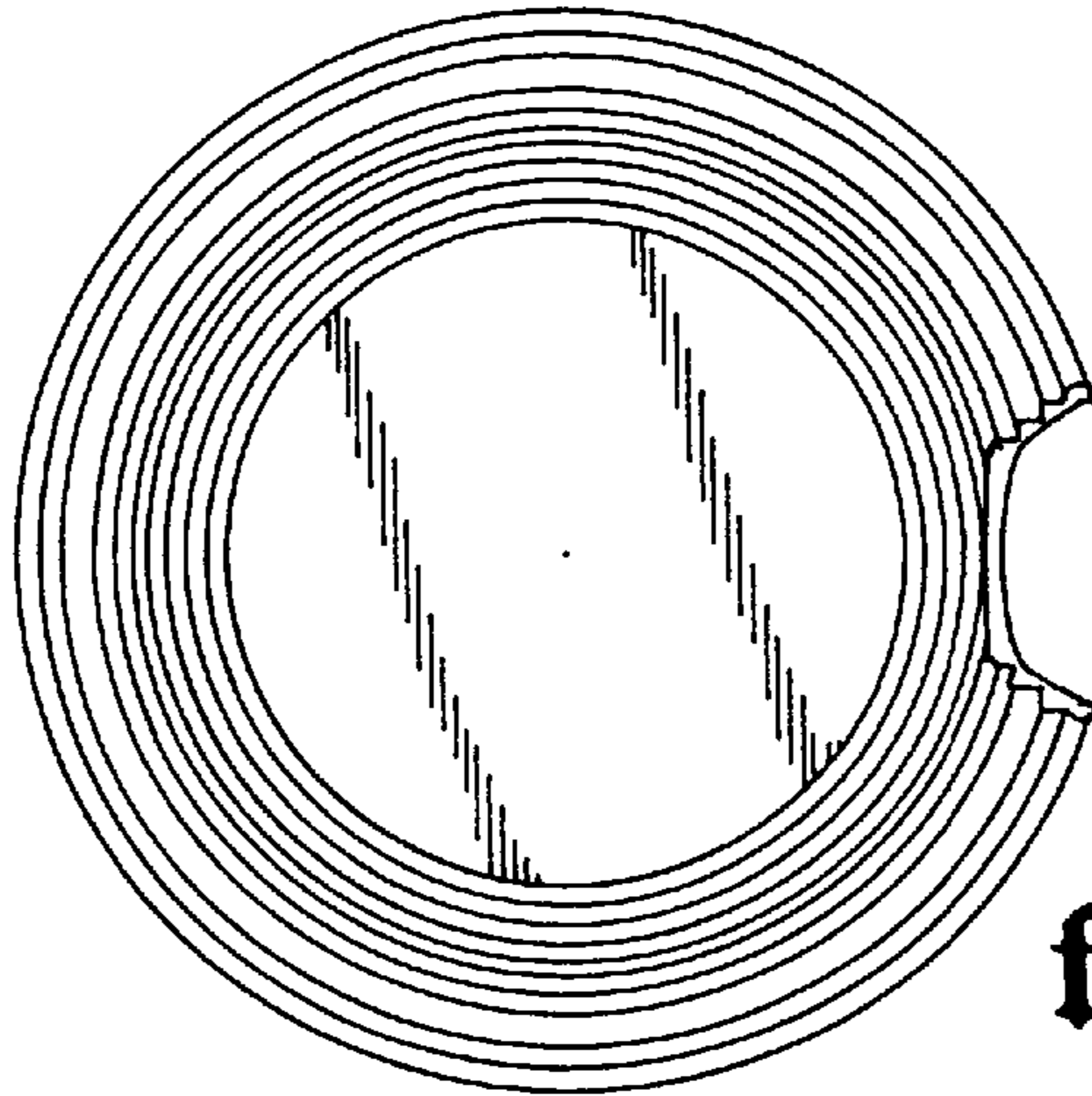


fig. 4

fig. 3

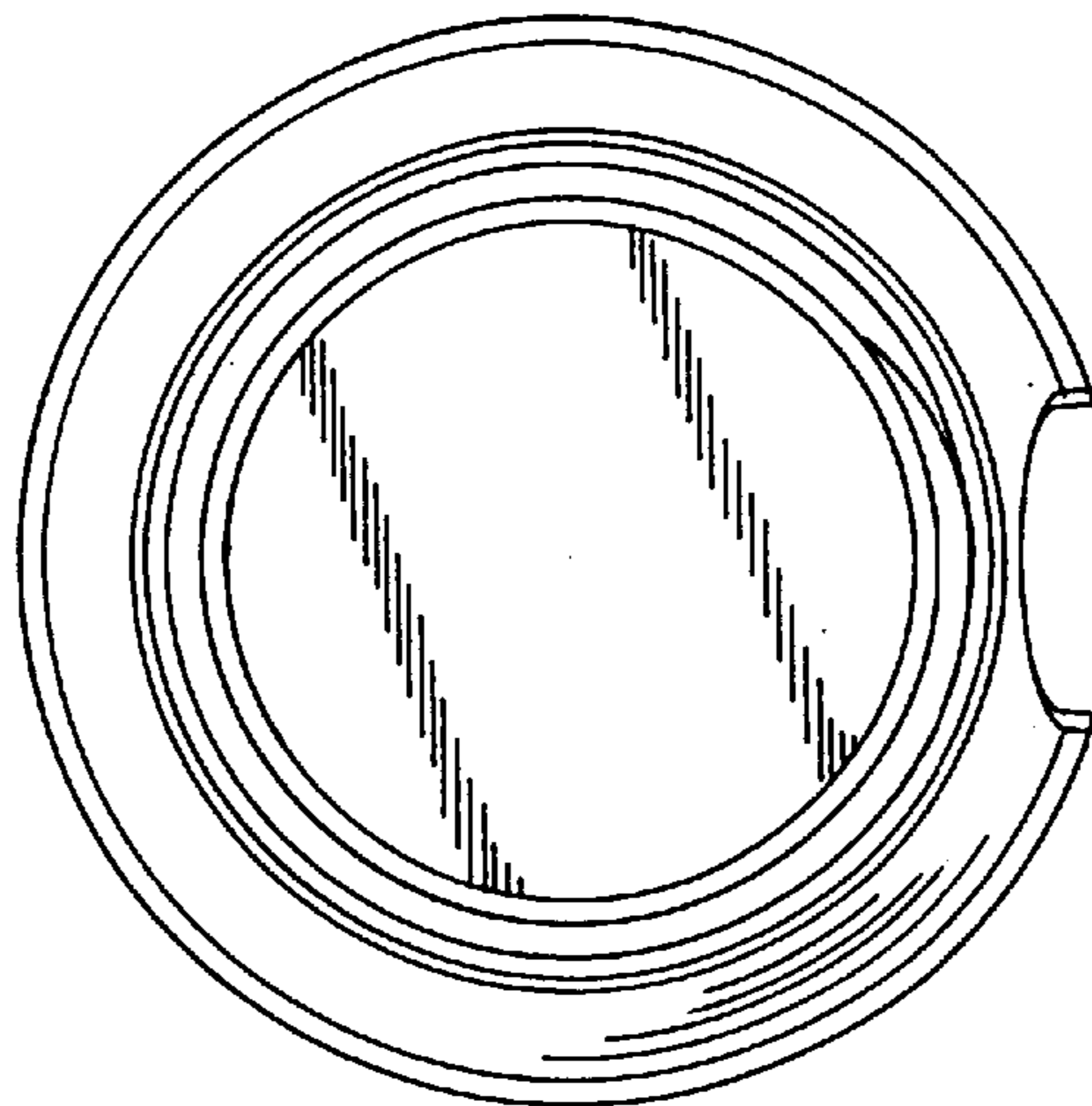
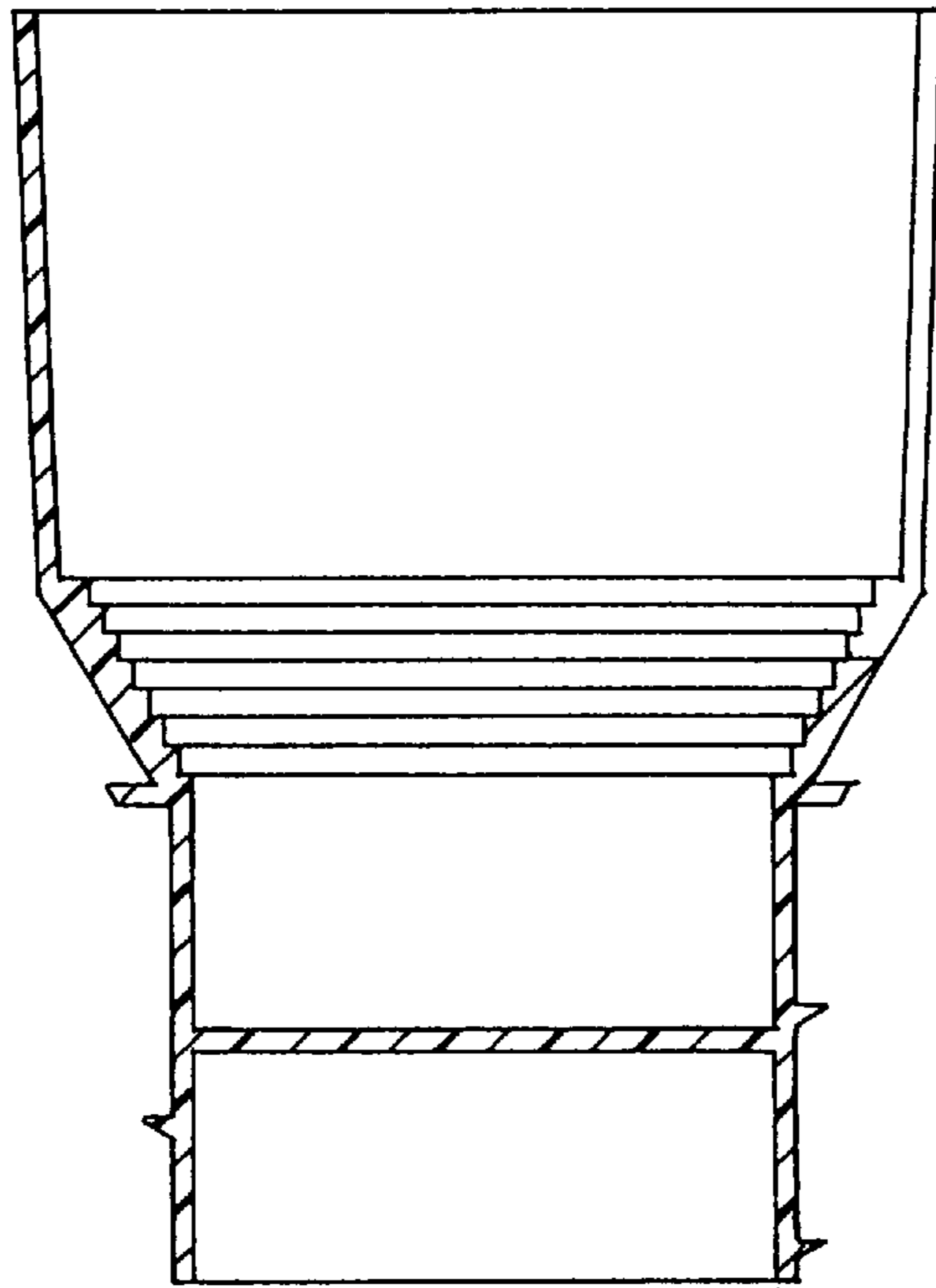


fig. 5