



US00D400760S

# United States Patent [19] Candianides

[11] **Patent Number: Des. 400,760**

[45] **Date of Patent: \*\*Nov. 10, 1998**

[54] **HANDLE FOR COOKING UTENSILS**

D. 281,050 10/1985 Cesaroni et al. .... D7/360

[75] Inventor: **Florence Candianides**, Annecy le Vieux, France

*Primary Examiner*—Caron D. Veynar  
*Attorney, Agent, or Firm*—Young & Thompson

[73] Assignee: **Tefal S.A.**, Rumilly, France

[57] **CLAIM**

[\*\*] Term: **14 Years**

The ornamental design for a handle for cooking utensils, as shown.

[21] Appl. No.: **65,239**

[22] Filed: **Jan. 27, 1997**

### DESCRIPTION

### [30] Foreign Application Priority Data

Jul. 26, 1996 [FR] France ..... 964393

FIG. 1 is a top plan view of a handle for cooking utensils, showing my new design;

[51] **LOC (6) Cl.** ..... **07-02**

FIG. 2 is a bottom plan view thereof;

[52] **U.S. Cl.** ..... **D7/393**

FIG. 3 is a perspective view thereof;

[58] **Field of Search** ..... D7/354-361, 393-395; D8/107; 16/110 R, 114 R, 114 A, 110 A

FIG. 4 is an end elevational view thereof from the top of FIG. 2; and,

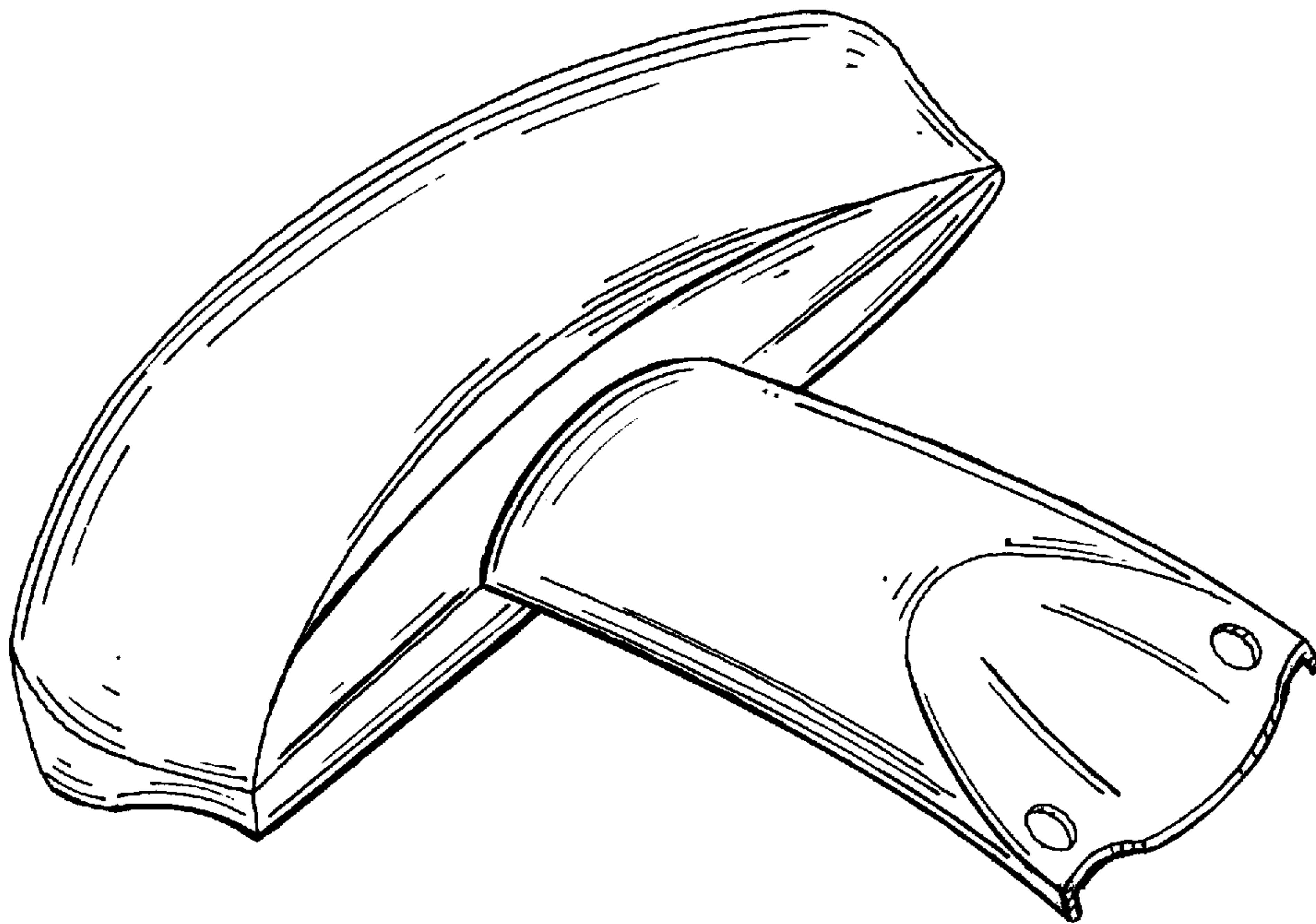
FIG. 5 is an end elevational view thereof from the bottom of FIG. 1.

### [56] References Cited

#### U.S. PATENT DOCUMENTS

D. 232,148 7/1974 Yarrington ..... D7/360

**1 Claim, 3 Drawing Sheets**



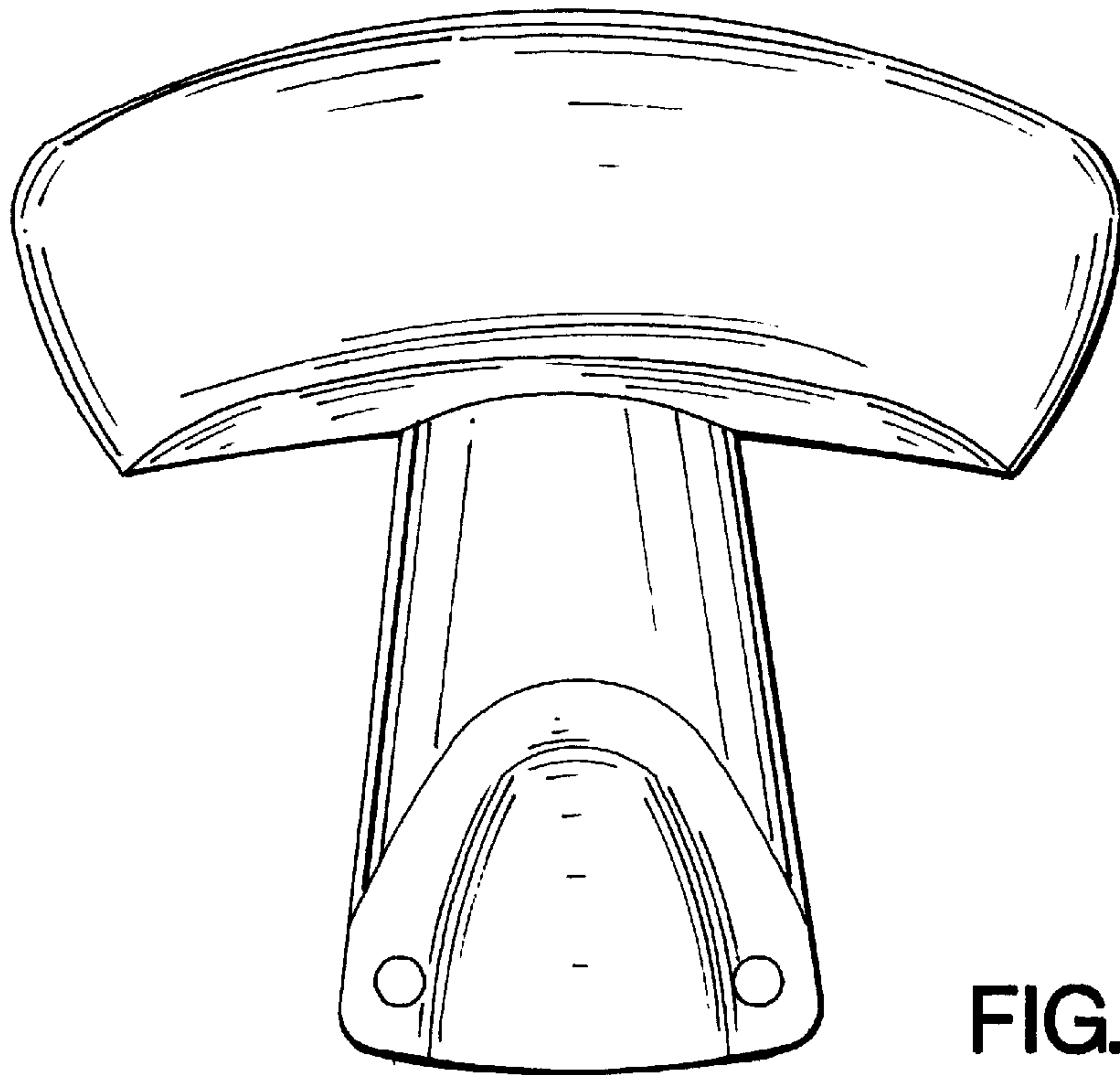


FIG. 1

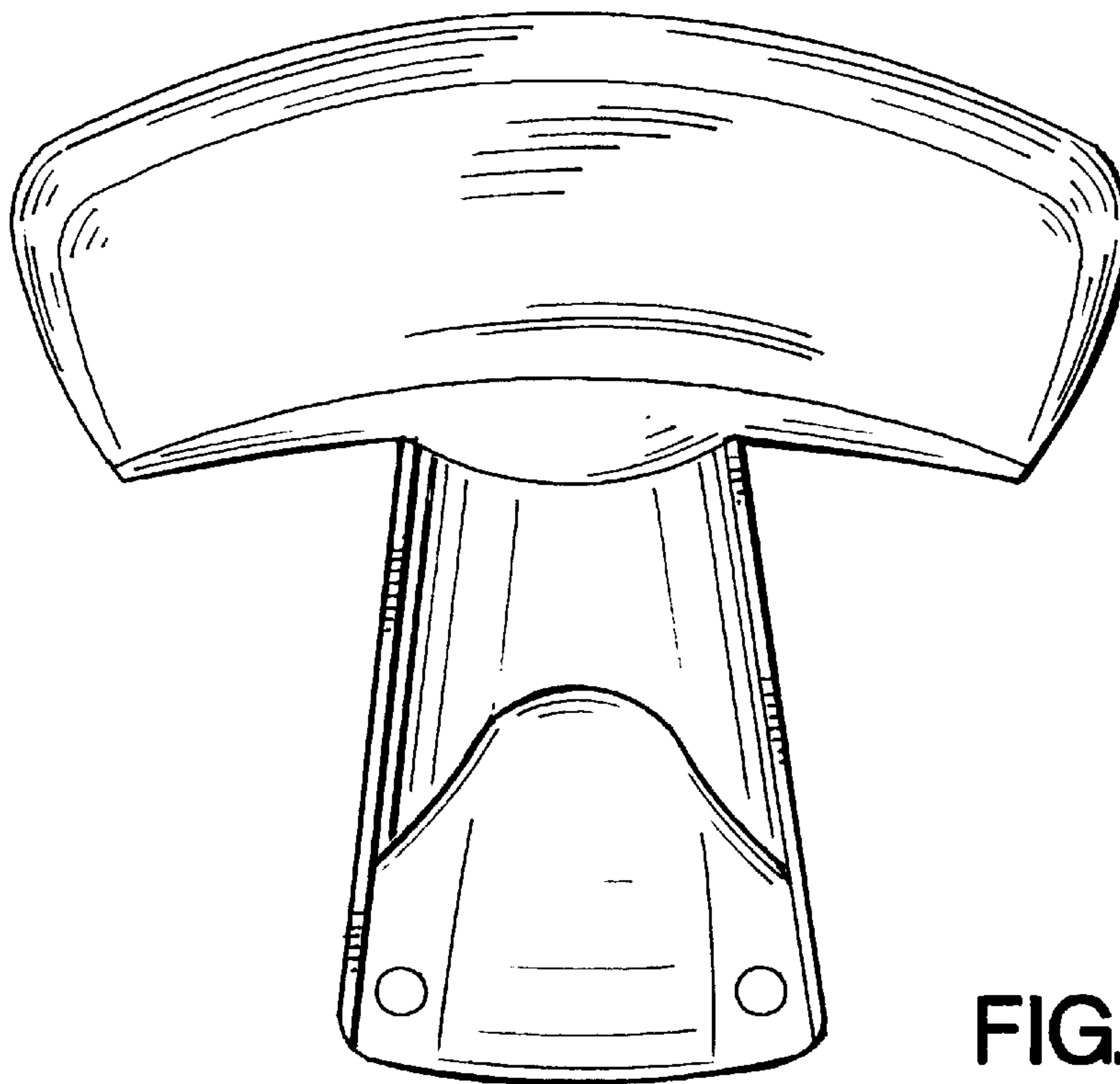


FIG. 2

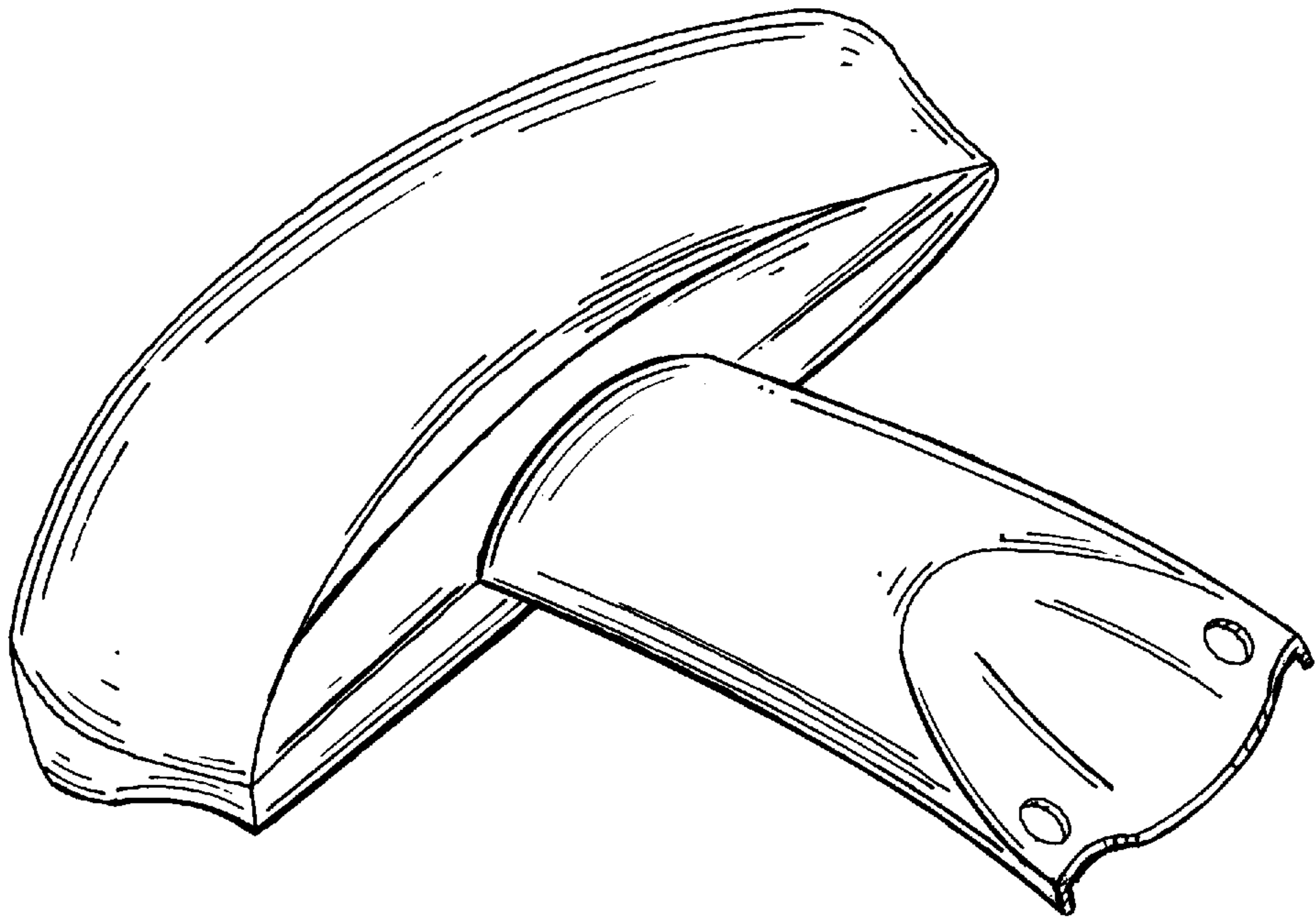


FIG. 3

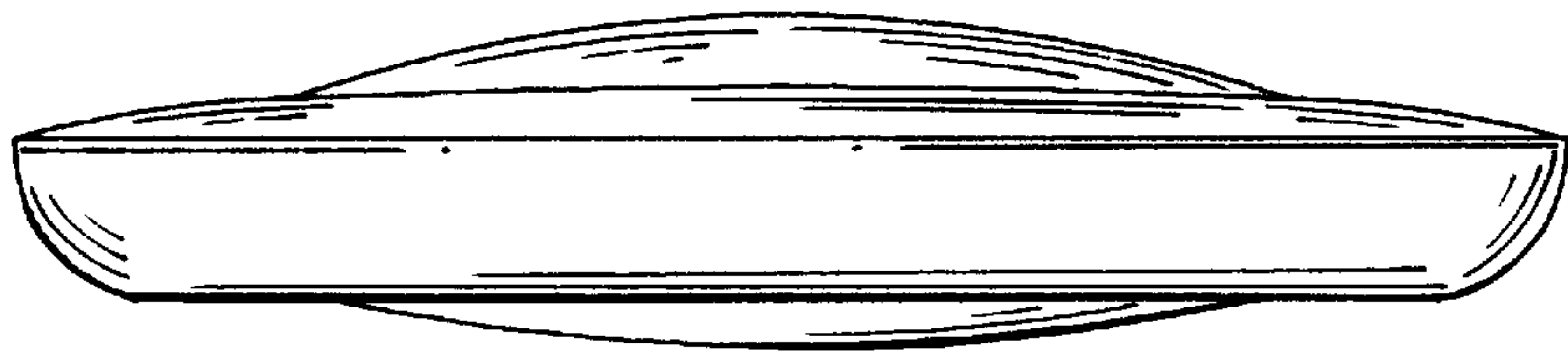


FIG. 4

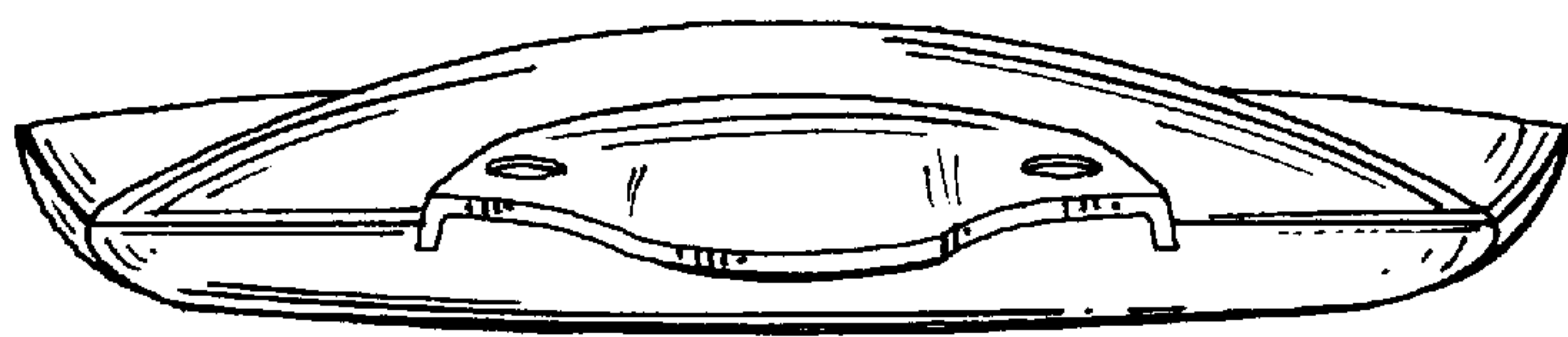


FIG. 5