

US00D400759S

# United States Patent [19] Doggett

[11] **Patent Number: Des. 400,759**

[45] **Date of Patent: \*\*Nov. 10, 1998**

[54] **FOOD MIXER**

4,893,942 1/1990 Stottmann ..... D7/379 X

[75] Inventor: **Lawrence A. Doggett**, Stevensville, Mich.

### OTHER PUBLICATIONS

KitchenAid Multi-Function Mixers Brochure Date Unknown.

[73] Assignee: **Whirlpool Corporation**, Benton Harbor, Mich.

*Primary Examiner*—Caron D. Veynar  
*Attorney, Agent, or Firm*—Robert O. Rice

[\*\*] Term: **14 Years**

### [57] CLAIM

[21] Appl. No.: **79,914**

The ornamental design for a food mixer, as shown and described.

[22] Filed: **Aug. 14, 1997**

[51] **LOC (6) Cl. .... 31-00**

### DESCRIPTION

[52] **U.S. Cl. .... D7/379**

FIG. 1 is an overhead left front perspective view of a food mixer showing my new design;

[58] **Field of Search** ..... D9/376-386, 412, D9/414, 415; 366/98, 129, 279, 601

FIG. 2 is a right side elevational view;

FIG. 3 is a left side elevational view;

FIG. 4 is a top plan view;

FIG. 5 is a front elevational view; and,

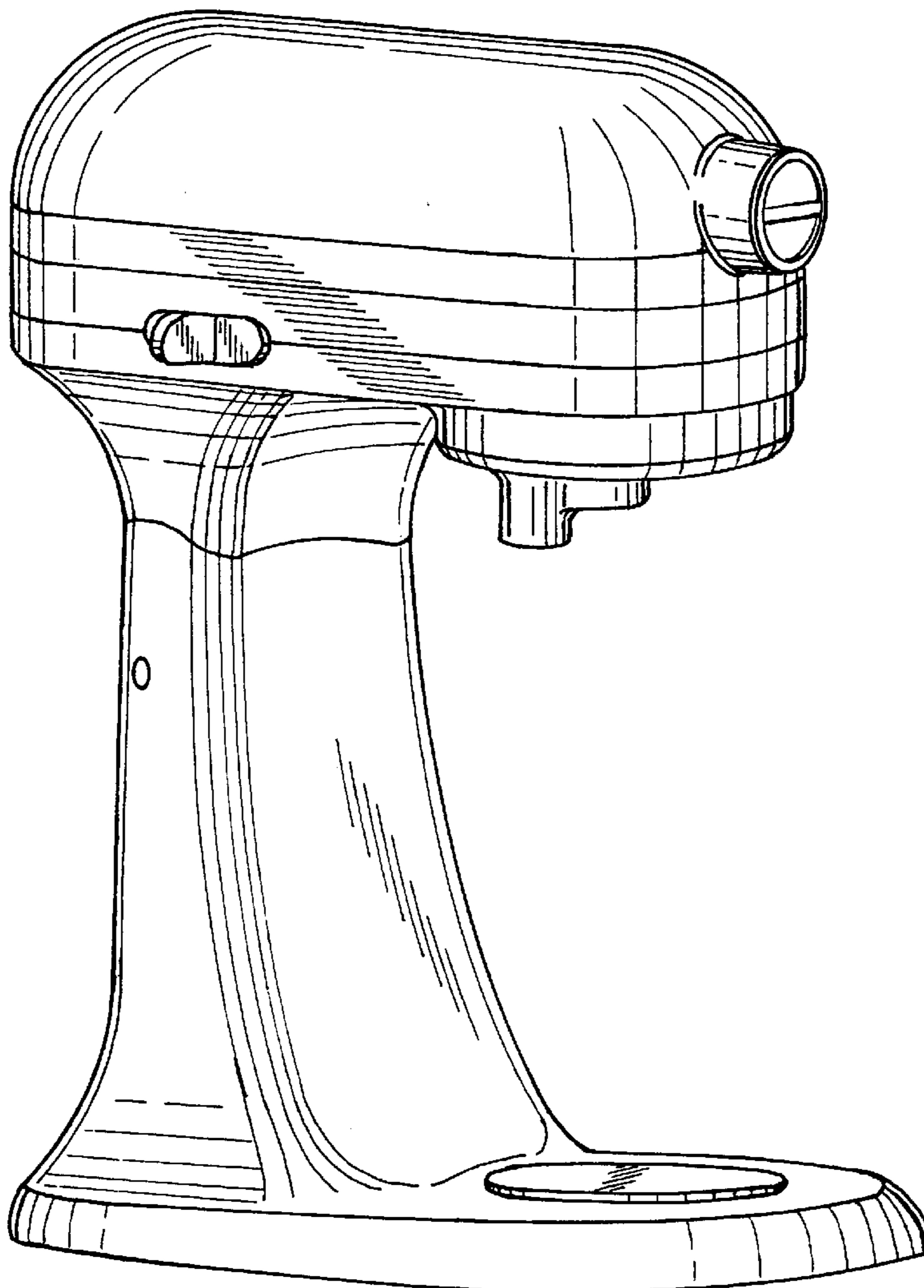
FIG. 6 is a rear elevational view.

### [56] References Cited

#### U.S. PATENT DOCUMENTS

- D. 116,747 9/1939 Meeker et al. .... D7/379
- D. 322,009 12/1991 Doggett ..... D7/379
- D. 322,010 12/1991 Doggett ..... D7/376

**1 Claim, 4 Drawing Sheets**



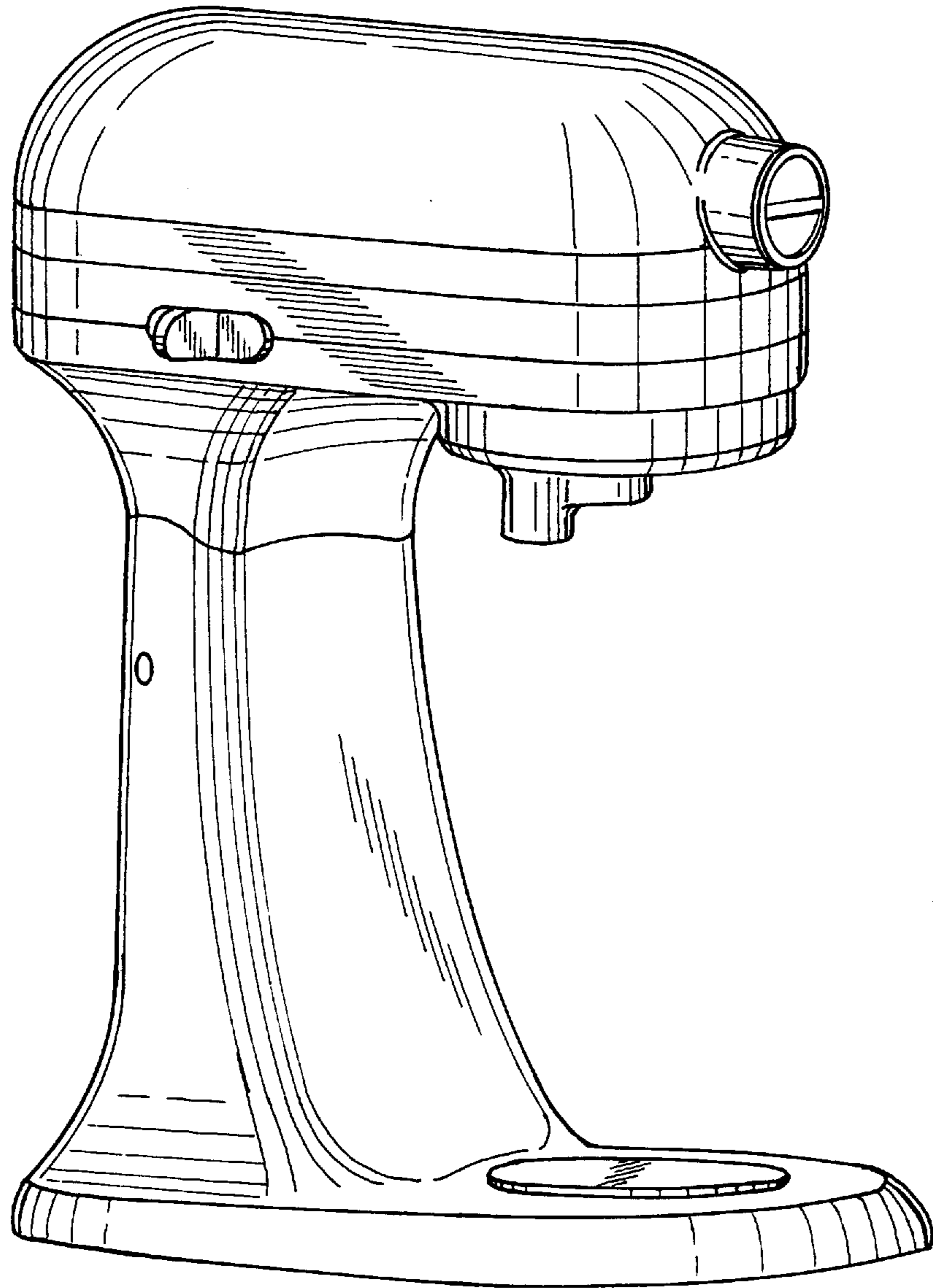


FIG. 1

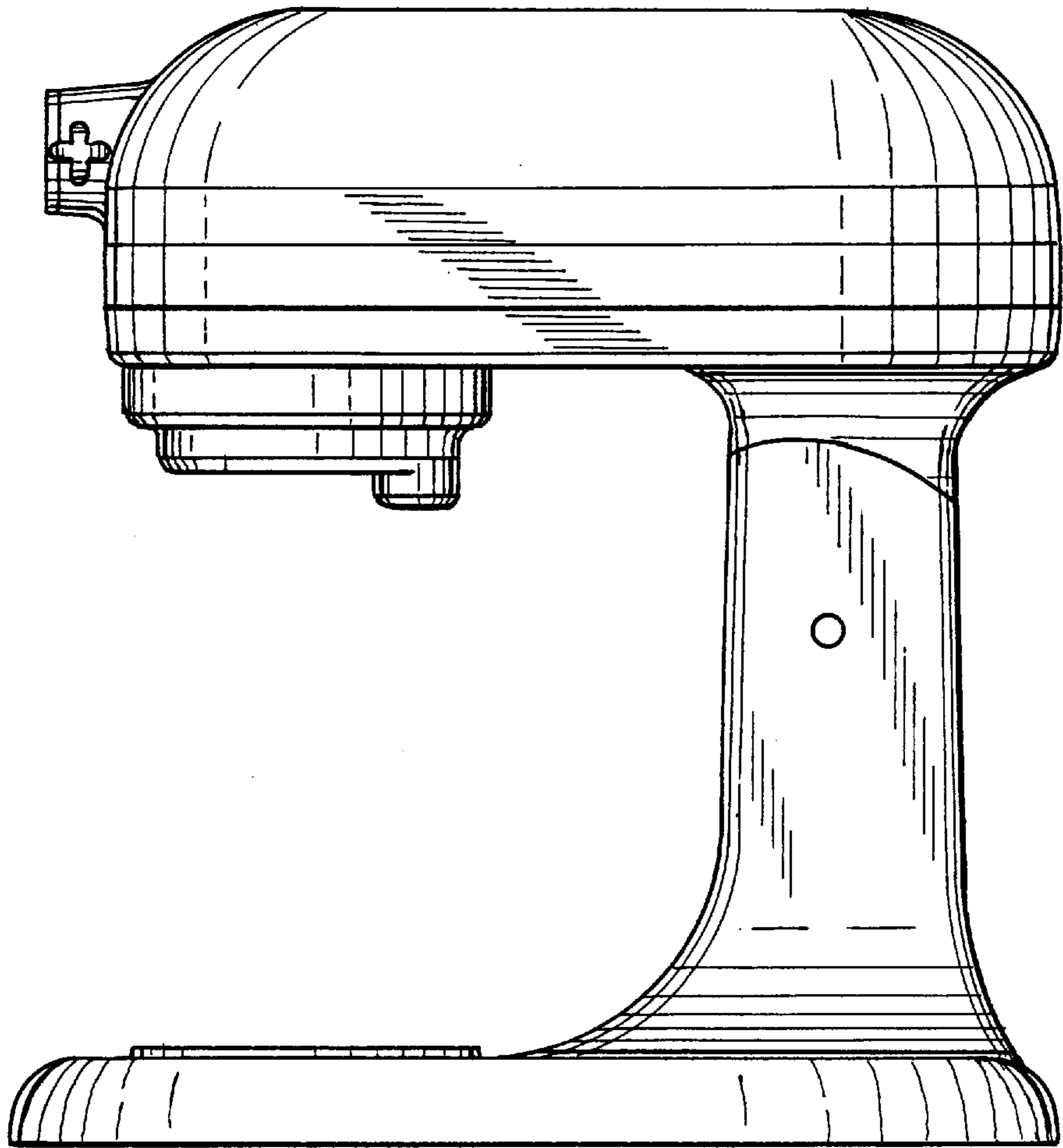


FIG. 2

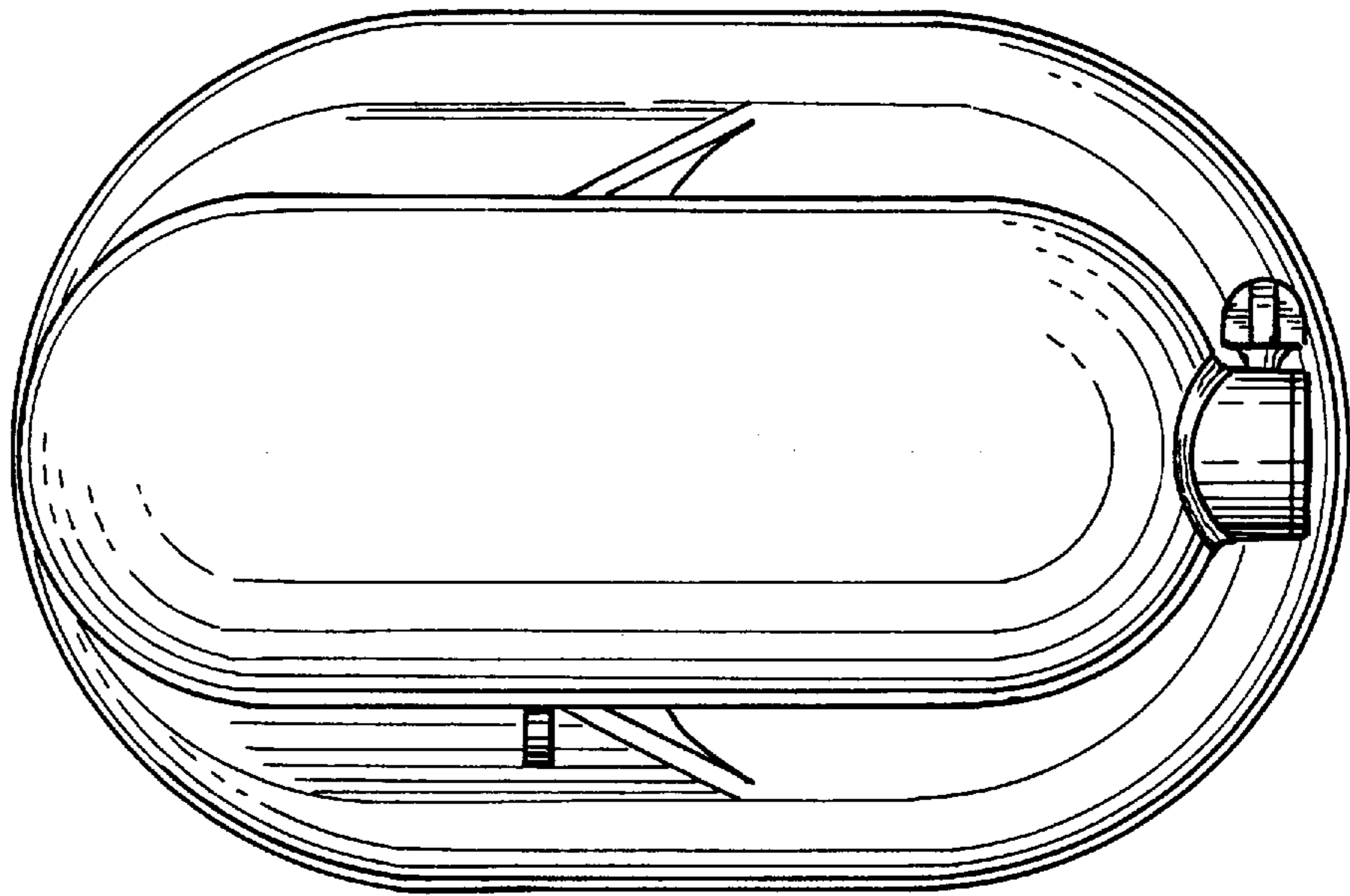


FIG. 4

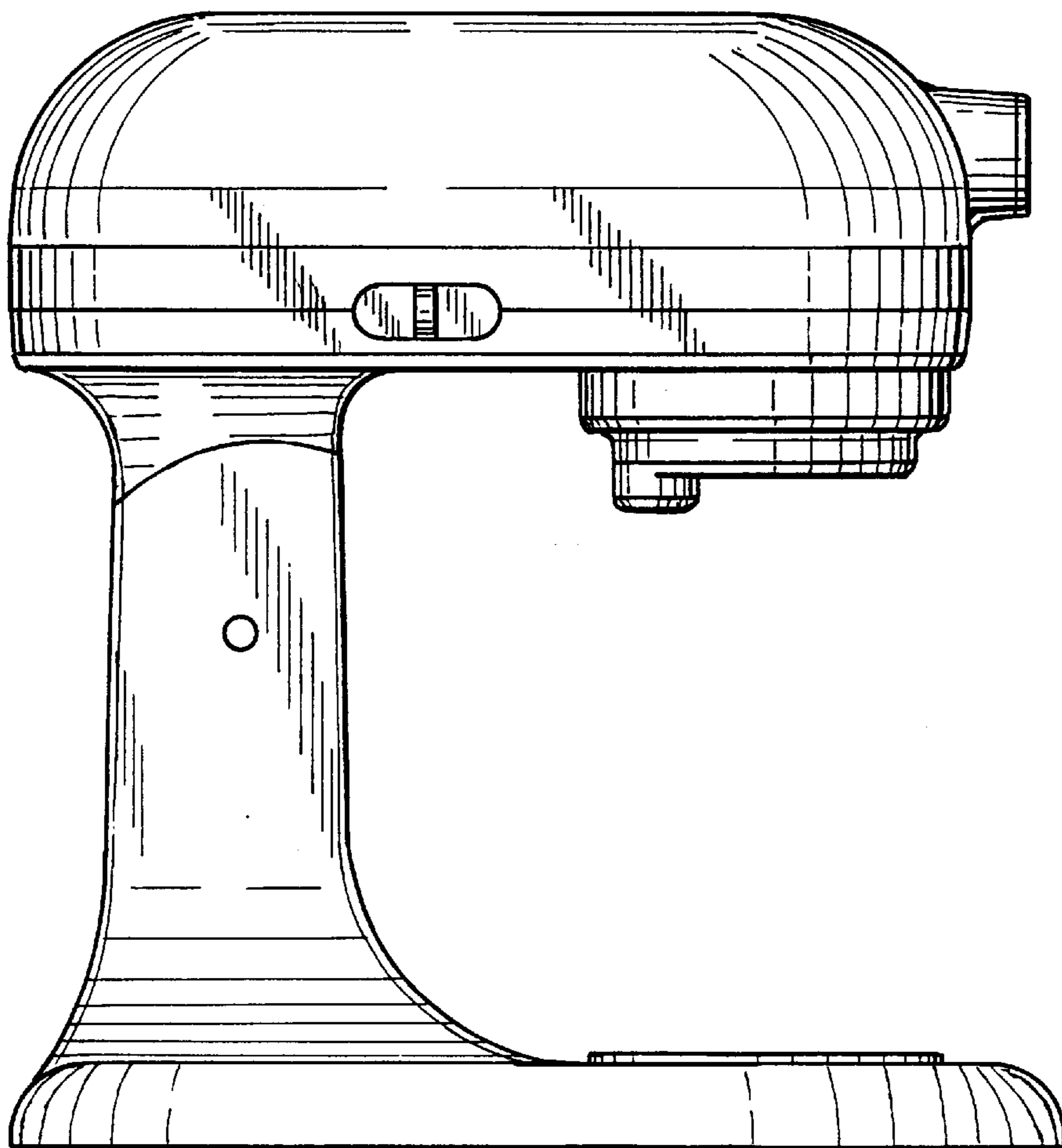


FIG. 3

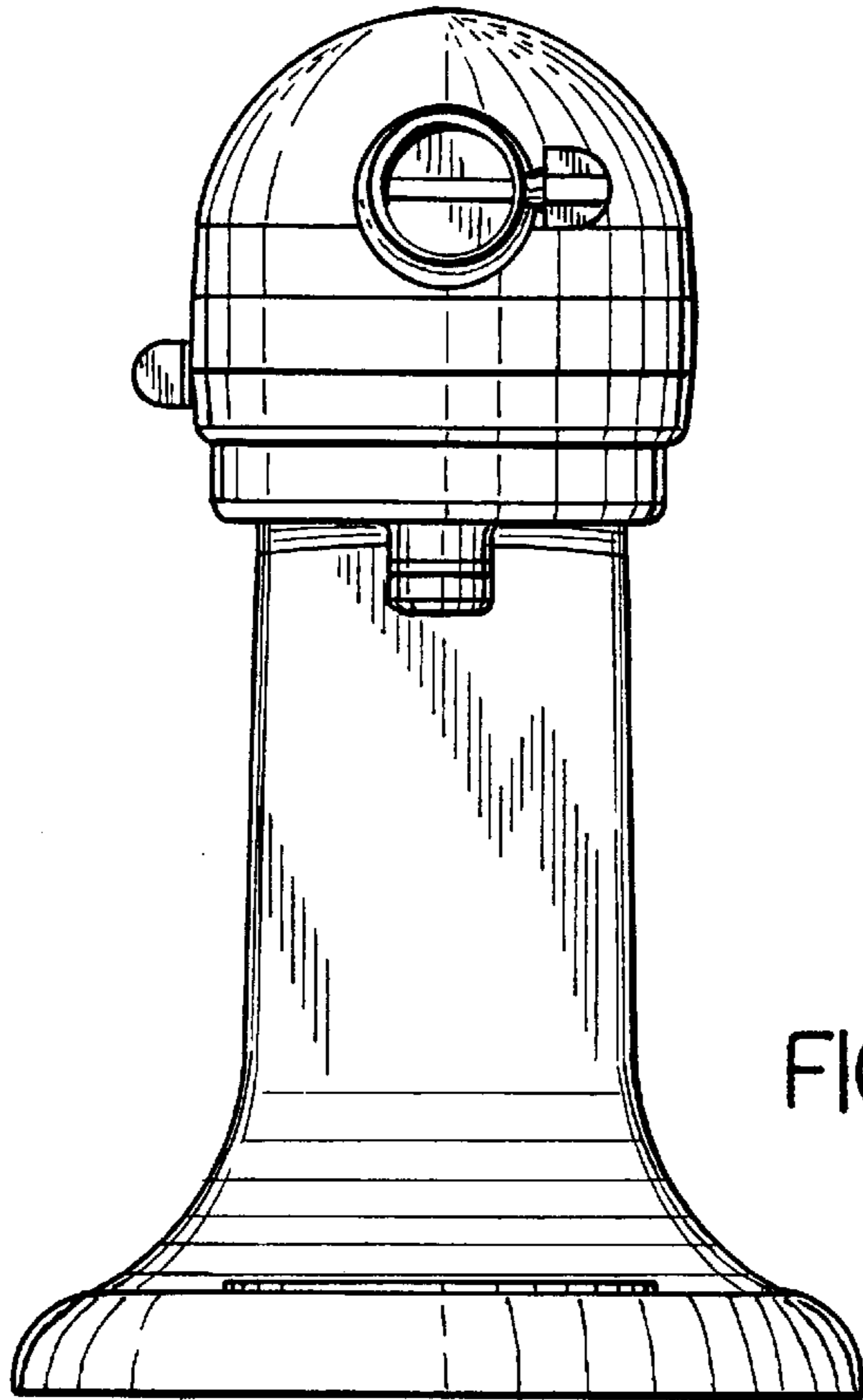


FIG. 5

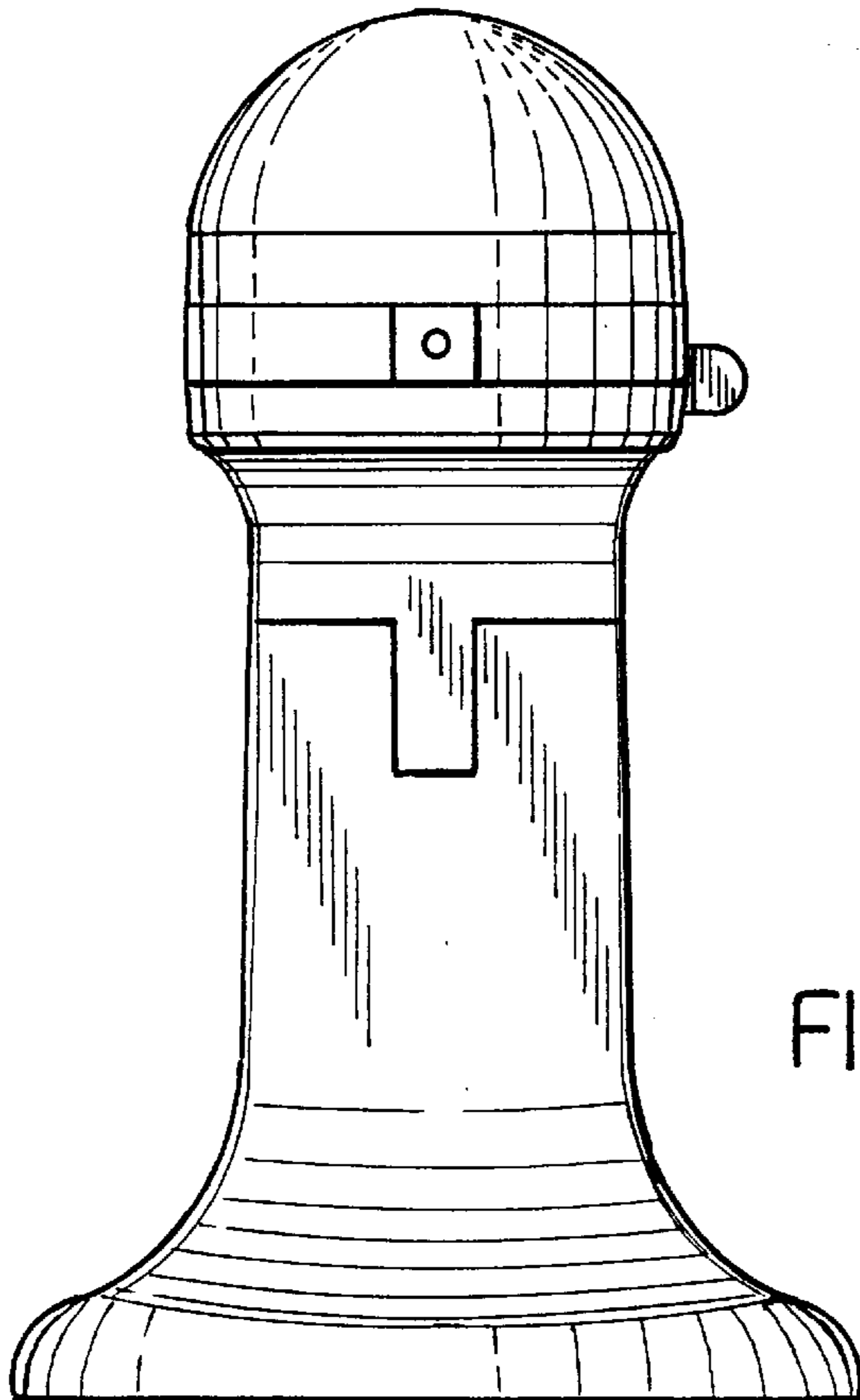


FIG. 6