



US00D400758S

# United States Patent [19]

Hippen et al.

[11] Patent Number: **Des. 400,758**

[45] Date of Patent: **\*\*Nov. 10, 1998**

[54] **HAND MIXER**

[75] Inventors: **Jan Hippen**, Portland, Oreg.; **Iulius Lucaci**, Wheeling, Ill.

[73] Assignee: **Black & Decker Inc.**, Newark, Del.

[\*\*] Term: **14 Years**

[21] Appl. No.: **74,566**

[22] Filed: **Jul. 17, 1997**

### Related U.S. Application Data

[63] Continuation of Ser. No. 62,873, Nov. 29, 1996, abandoned.

[51] **LOC (6) Cl.** ..... **31-00**

[52] **U.S. Cl.** ..... **D7/379**

[58] **Field of Search** ..... D7/376-380, 412;  
241/168, 169.1; 366/129, 130, 197, 199,  
204, 205, 314

### [56] References Cited

#### U.S. PATENT DOCUMENTS

D. 107,985	1/1938	Allenby et al.	.....	D7/379
D. 148,095	12/1947	Snyder et al.	.....	D7/386
D. 219,807	2/1971	Di Sesa, Jr.	.....	D7/382
D. 278,506	4/1985	Kafka	.....	D7/376
D. 291,647	9/1987	Steinkamp	.....	D7/379
D. 310,005	8/1990	Precht	.....	D7/379
D. 321,811	11/1991	Littman	.....	D7/379
D. 322,008	12/1991	Littmann	.....	D7/376

D. 338,371	8/1993	Thomas	.....	D7/379
D. 339,026	9/1993	Bannigan	.....	D7/384
D. 345,888	4/1994	Joss et al.	.....	D7/379
D. 362,587	9/1995	Littmann	.....	D7/386
D. 364,532	11/1995	Seiffert	.....	D7/379
D. 367,400	2/1996	Viemeister et al.	.....	D7/379
5,522,659	6/1996	Penaranda et al.	.....	366/129

*Primary Examiner*—Caron D. Veynar  
*Attorney, Agent, or Firm*—Barry E. Deutsch

### [57] CLAIM

The ornamental design for hand mixer, as shown and described.

### DESCRIPTION

FIG. 1 is a perspective view of our new design of a hand mixer;  
 FIG. 2 is a front elevational view of our new design of the hand mixer;  
 FIG. 3 is a rear elevational view of our new design of the hand mixer;  
 FIG. 4 is a left side elevational view of our new design of the hand mixer, a right side elevational view of our new design of the hand mixer being a mirror image of the left side elevational view of our new design of the hand mixer;  
 FIG. 5 is a top plan view of our new design of the hand mixer; and,  
 FIG. 6 is a bottom plan view of our new design of the hand mixer.

**1 Claim, 4 Drawing Sheets**

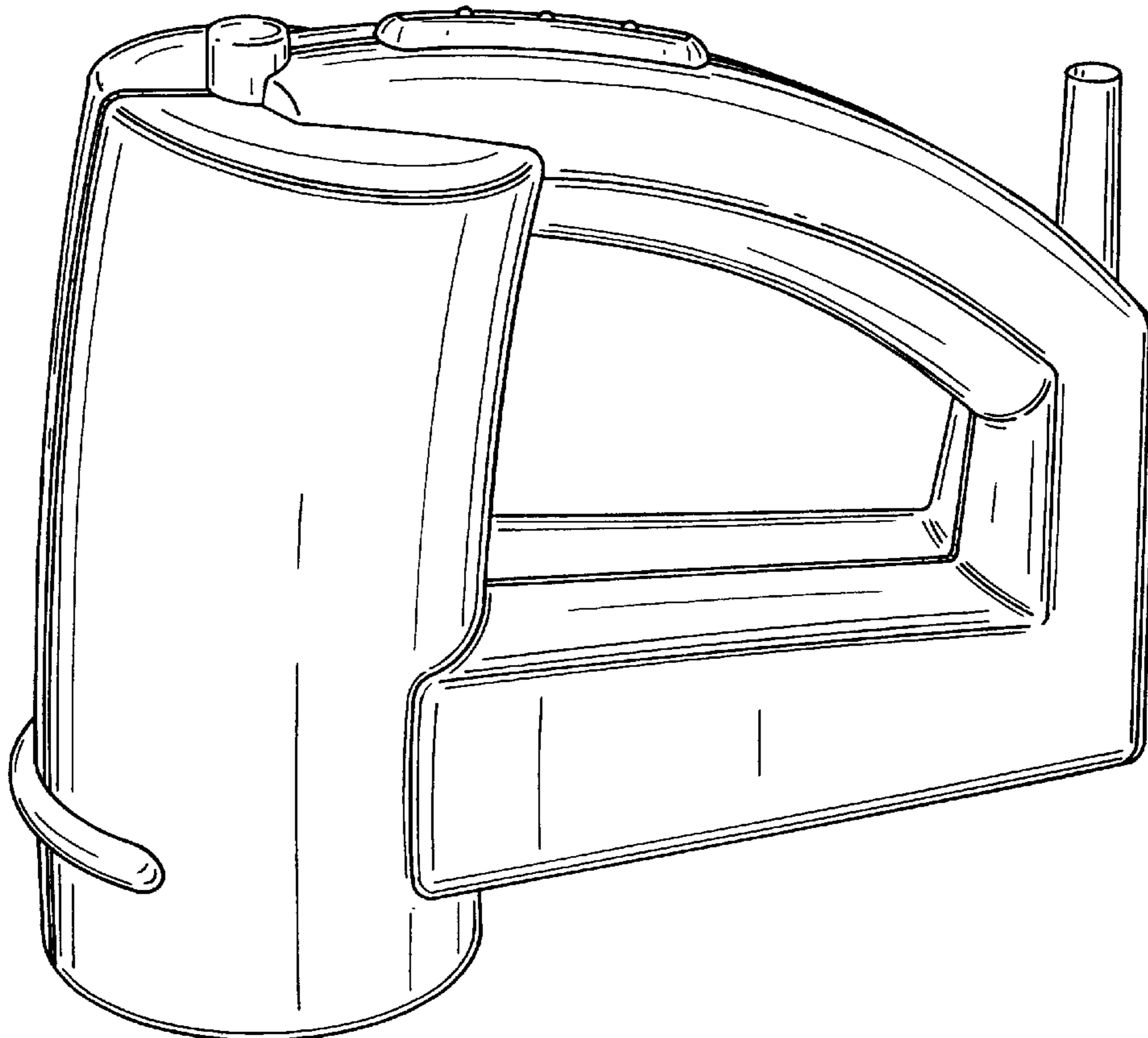


FIG. 1

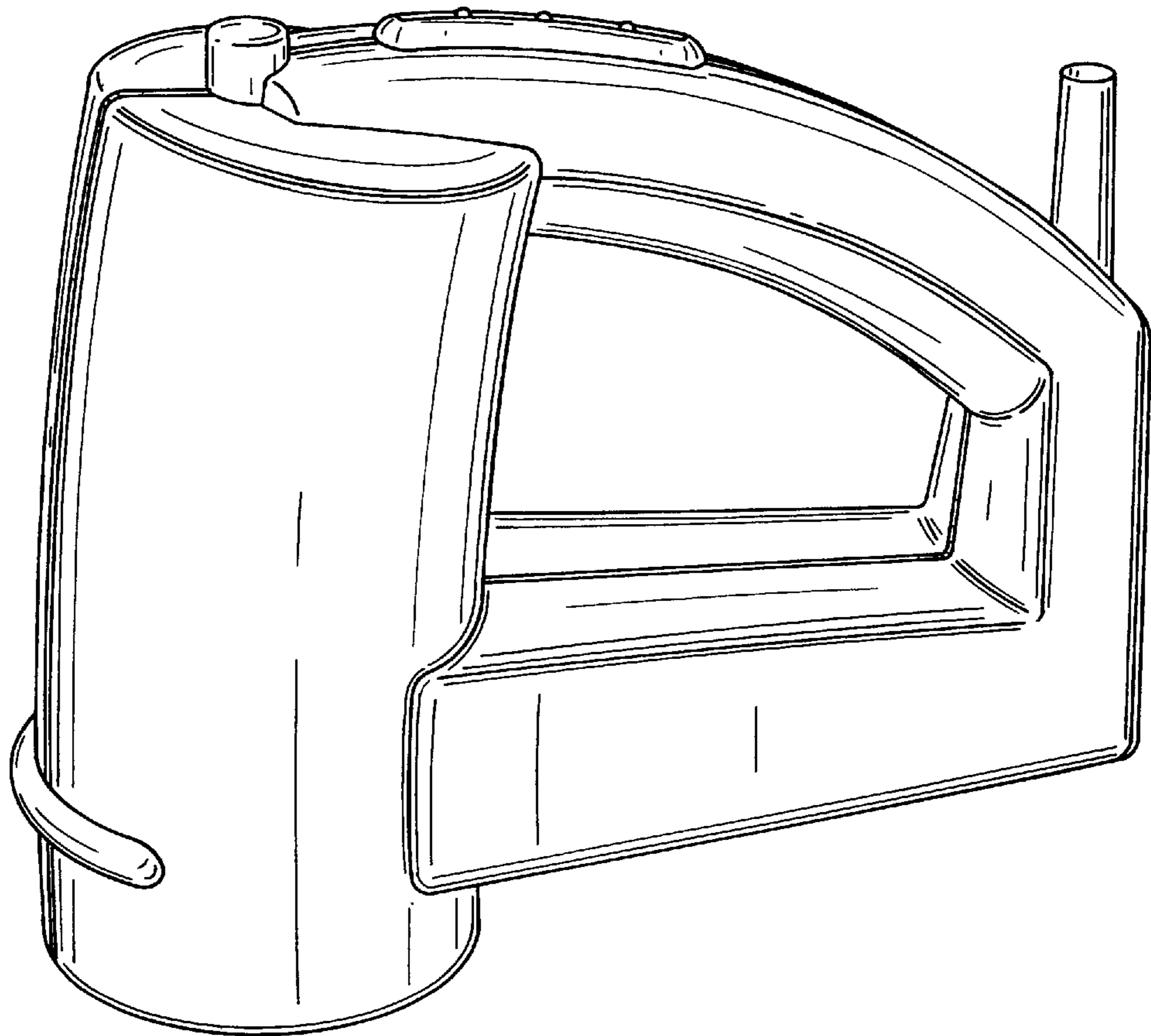


FIG. 3

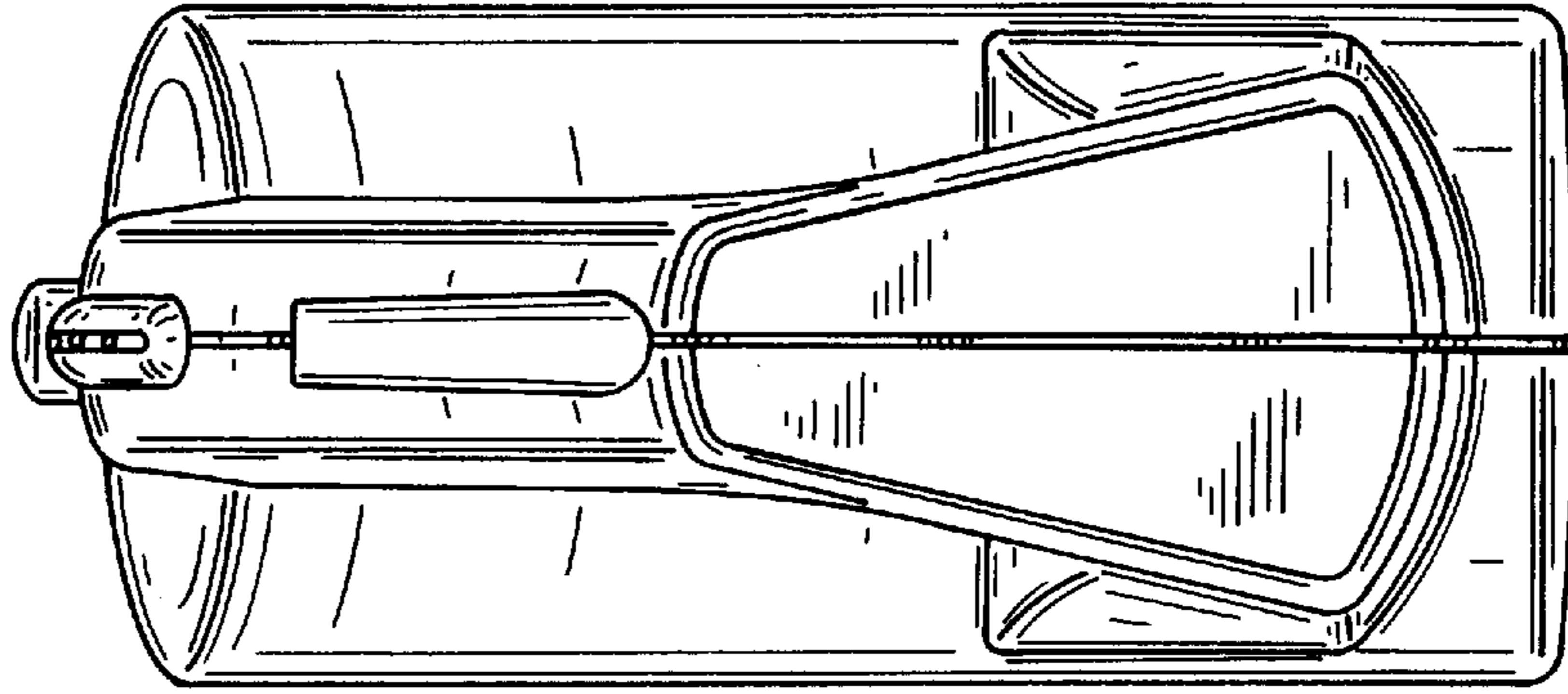


FIG. 2

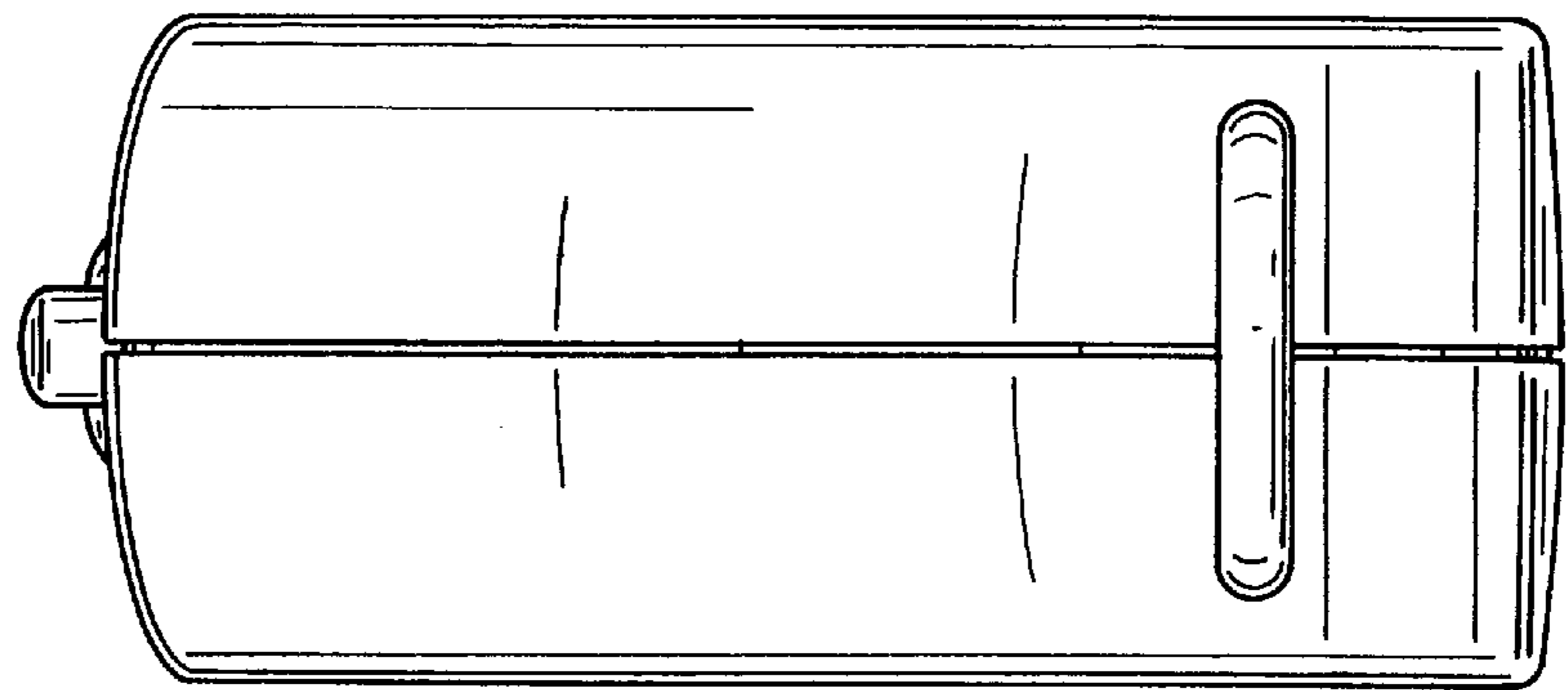


FIG. 4

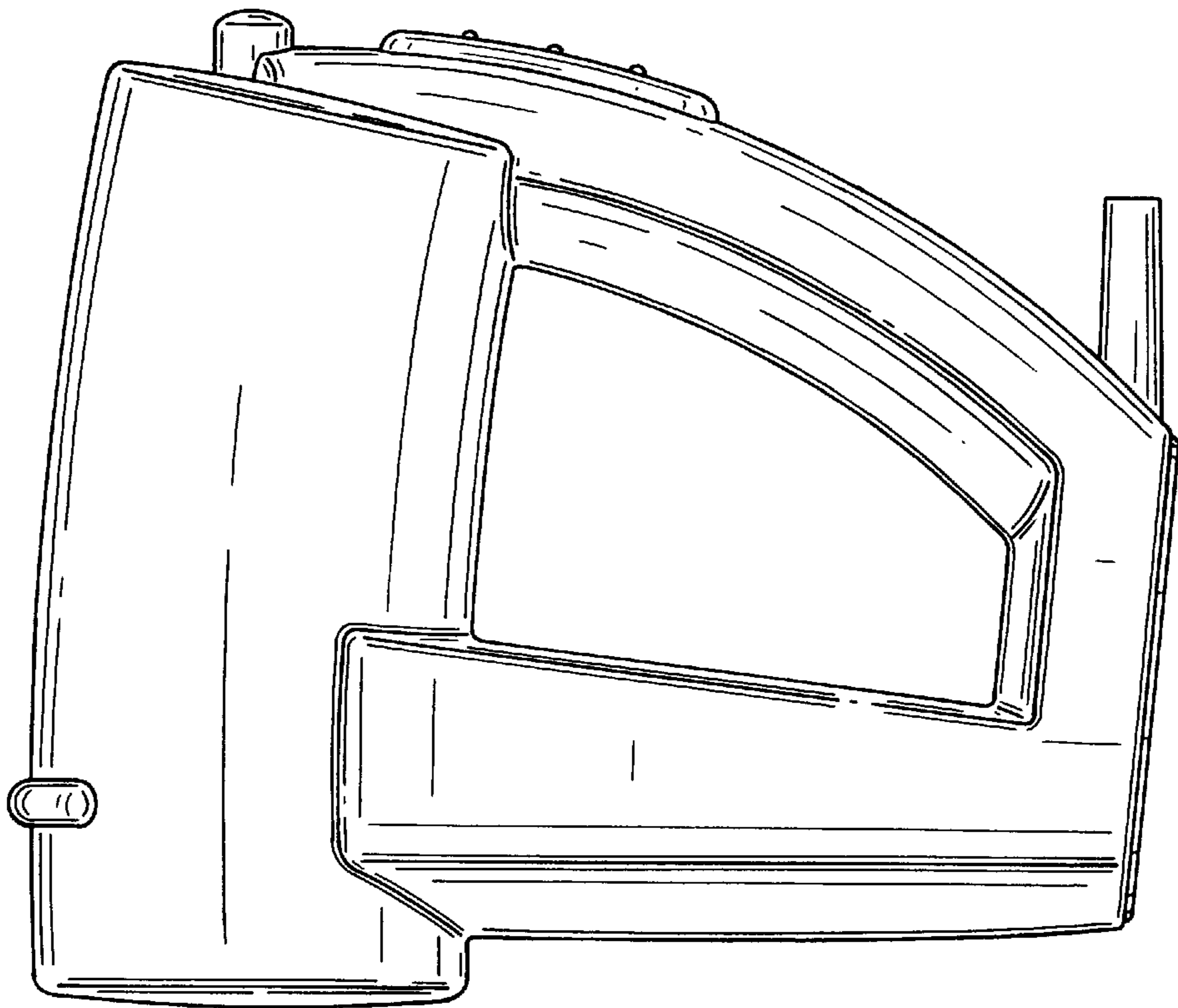


FIG. 5

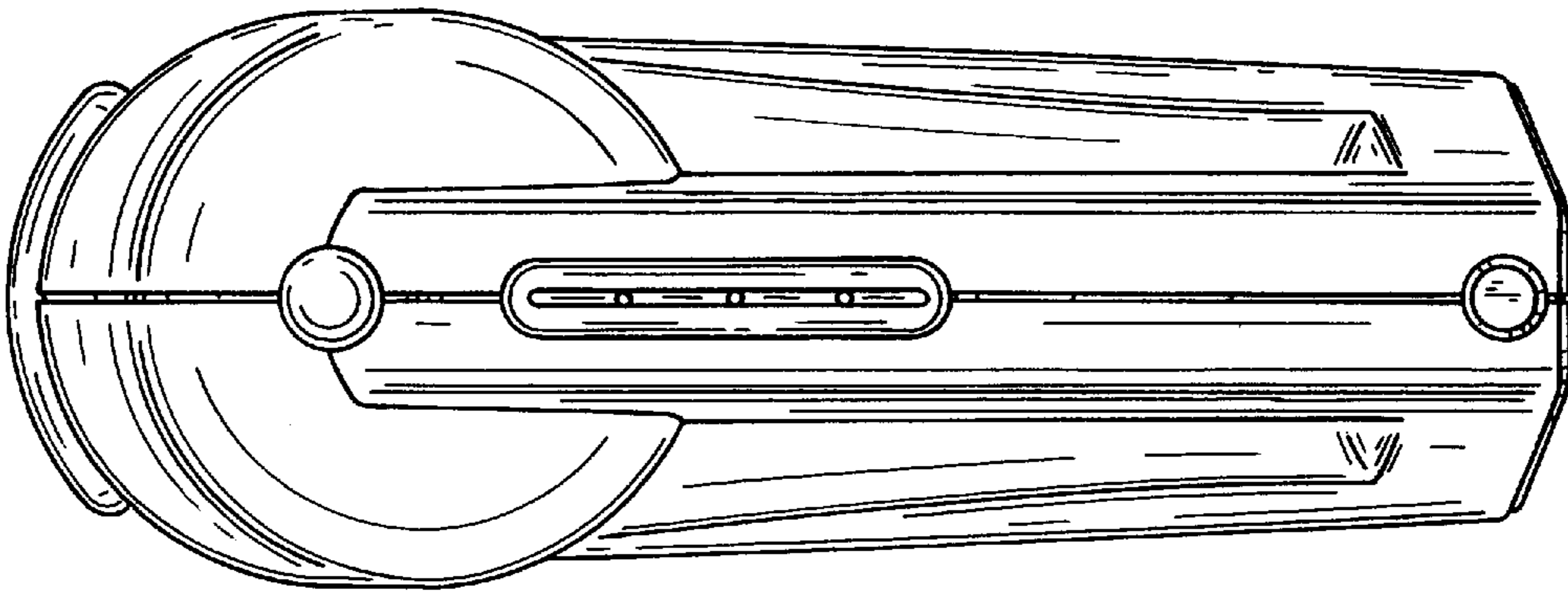


FIG. 6

