



US00D400748S

United States Patent [19] France

[11] **Patent Number: Des. 400,748**

[45] **Date of Patent: **Nov. 10, 1998**

[54] **CADDY FOR TOILET BOWL BRUSH**

[75] Inventor: **Nicole France**, Wooster, Ohio

[73] Assignee: **Rubbermaid Incorporated**, Wooster, Ohio

[**] Term: **14 Years**

[21] Appl. No.: **80,736**

[22] Filed: **Dec. 15, 1997**

[51] **LOC (6) Cl. 06-99**

[52] **U.S. Cl. D6/551**

[58] **Field of Search** D6/551; 211/65; 206/209, 581, 361; 248/110, 111; 312/206

[56] **References Cited**

U.S. PATENT DOCUMENTS

D. 207,099	3/1967	Johnson et al.	D6/524
D. 238,917	2/1976	Vrignand	D6/551
D. 264,782	6/1982	Thompson	D6/524
D. 272,874	3/1984	Cohen	D4/116 X
D. 276,291	11/1984	Boroch	D6/551 X
D. 290,798	7/1987	Zuliani	D6/551
D. 297,292	8/1988	Plymale	D4/116 X
D. 298,712	11/1988	Mattei	D6/551
D. 315,269	3/1991	Brazis	D6/551
D. 315,989	4/1991	Levien	D4/137
D. 329,775	9/1992	Murphy	D6/551
D. 362,575	9/1995	Bird et al.	D6/551
D. 370,376	6/1996	Mifsud	D6/551
3,085,678	4/1963	Moore	206/15.1
3,883,197	5/1975	Reid	312/206

OTHER PUBLICATIONS

Catalog page, Bowl brush caddy; Sterilite Corporation, P.O. Box 524, Main Street, Townsend, Massachusetts. Published at least as early as May 1996.

P. 15, Bowl brush caddies; Sabco Limited, Botting Street, Albert Park, South Australia 5014. Published at least as early as Jan. 1989.

P. 4 and 5, Bowl brush caddies; Empire Brushes Inc., U. S. Highway 13 North, P.O. Box 1606, Greenville, North Carolina 27835. Publication date May 1993.

Catalog page, Bowl brush caddy; Grosfillex, Belgique/Belgie, 344 Chaussee d'Alsemberg, 1180 Bruxelles. Published at least as early as May 1990.

P. 51, Bowl brush caddies; Croydex 1985, Bathroom & Housewares Catalog, address unknown. Published at least as early as May, 1990.

Catalog page, Bowl brush caddies; Swiss Brush Manufacturing Co. LTD, Ebnat-Kappel, CH-9642, Ebnat-Kappel, Switzerland. Published at least as early as May, 1990.

Sell sheet, Bowl brush caddies; Coronet-Werke Heinrich Schlerf GmbH, Postfach 1180, 6948 Waldmichlsbach, ODW. Published at least as early as May, 1990.

Catalog page, Bowl brush caddies; Roman Dietsche KG, 7868 Todtnaw, Aftersteg. Published at least as early as May, 1990.

Catalog page, Bowl brush caddies; Roman Dietsche KG, 7868 Todtnaw, Aftersteg. Published at least as early as May, 1990.

Catalog page, Bowl brush caddies; Roman Dietsche KG, 7868 Todtnaw, Aftersteg. Published as least as early as May, 1990.

Catalog page, Bowl brush caddies; Emsa, Badausstattungen, address unknown. Published at least as early as May, 1990.

Catalog page, Bowl brush caddies; Emsa, Badausstattungen, address unknown. Published at least as early as May, 1990.

(List continued on next page.)

Primary Examiner—Brian N. Vinson

Attorney, Agent, or Firm—Richard B. O'Planick

[57] **CLAIM**

The ornamental design for a caddy for toilet bowl brush, as shown and described.

DESCRIPTION

FIG. 1 is a top left front perspective view of a caddy for toilet bowl brush showing my new design;

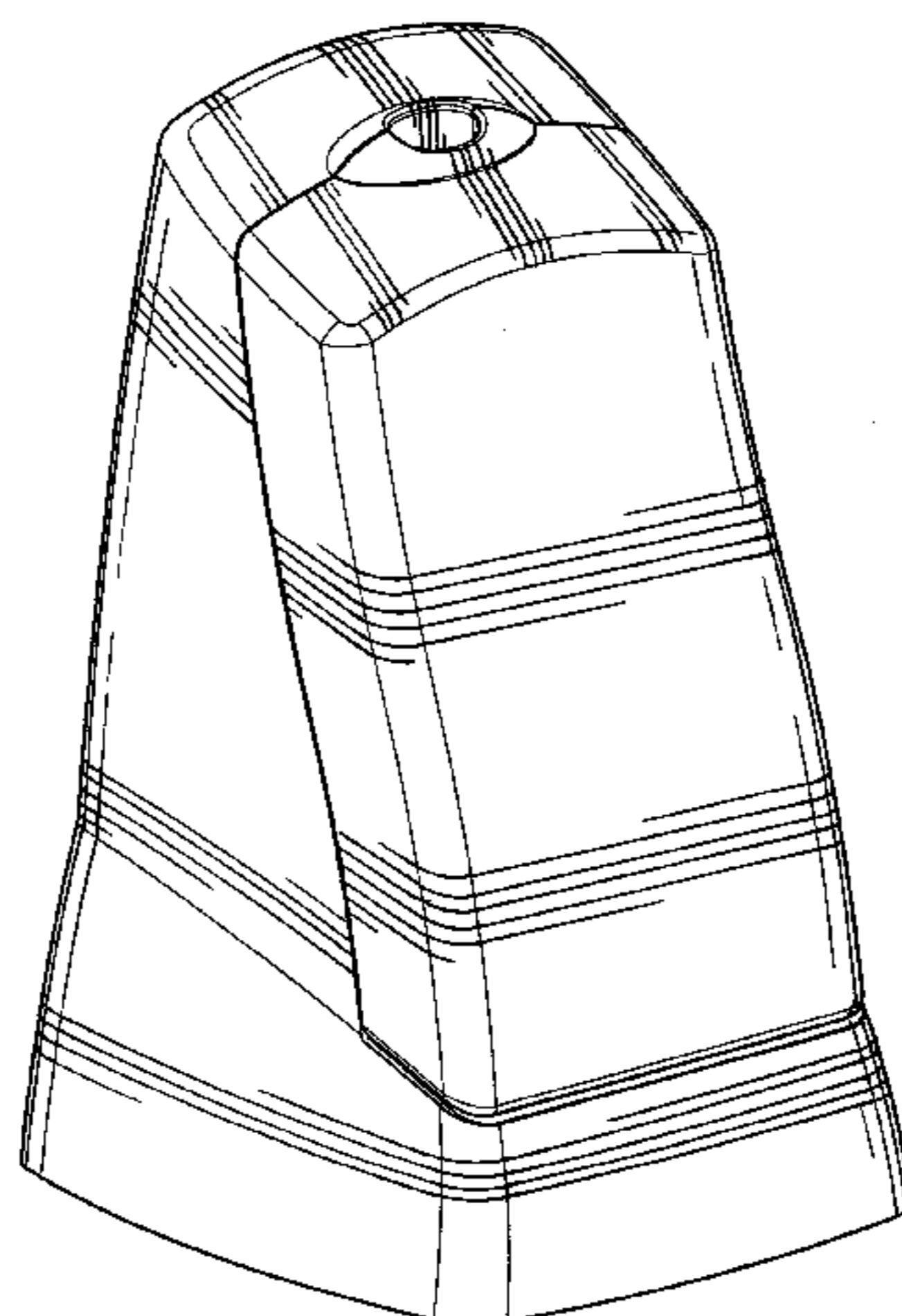
FIG. 2 is a top plan view thereof;

FIG. 3 is a rear elevational thereof;

FIG. 4 is a left side elevational view thereof; the right side elevational view being a mirror image; and,

FIG. 5 is a front elevational view thereof.

1 Claim, 3 Drawing Sheets



OTHER PUBLICATIONS

P. 15, Bowl brush caddies; Sabco Limited, Botting Street, Albert Park, South Australia 5014. Published at least as early as May, 1990.

Catalog page, Bowl brush caddy; Rubbermaid Incorporated, 1147 Akron Road, Wooster, Ohio 44691. Published date 1979.

P. 30, Bowl brush caddies; Rubbermaid Incorporated, 1147 Akron Road, Wooster, Ohio 44691. Published date 1986.

Catalog page, Bowl brush caddies; Viking Brush Limited, 5317 Rue Drolet St., Montreal, Canada H2T 2H5. Published date Feb., 1987.

P. 6, Bowl brush caddy; Rubbermaid Incorporated, 1147 Akron Road, Wooster, Ohio 44691. Published date 1990.

Fig-1

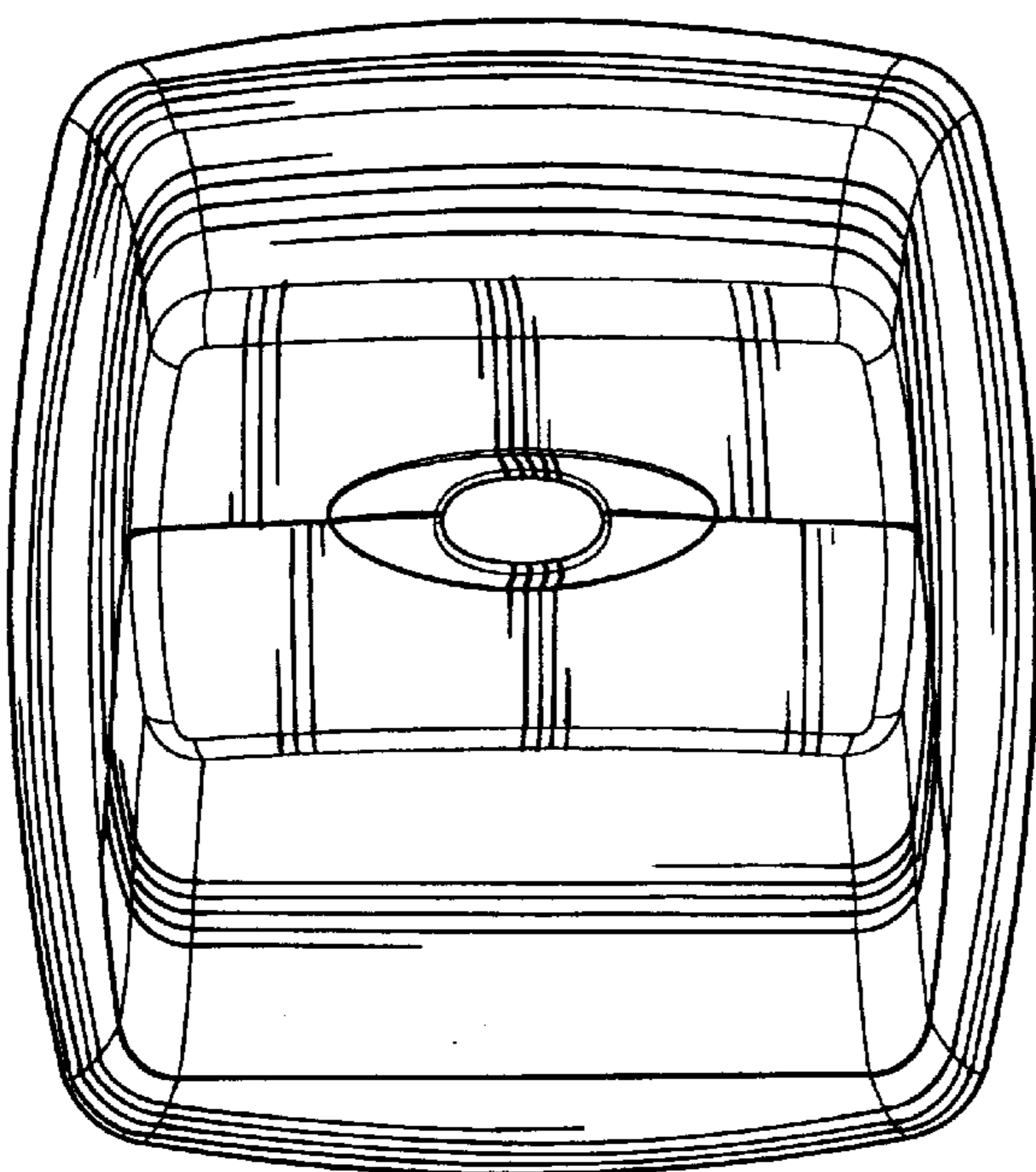
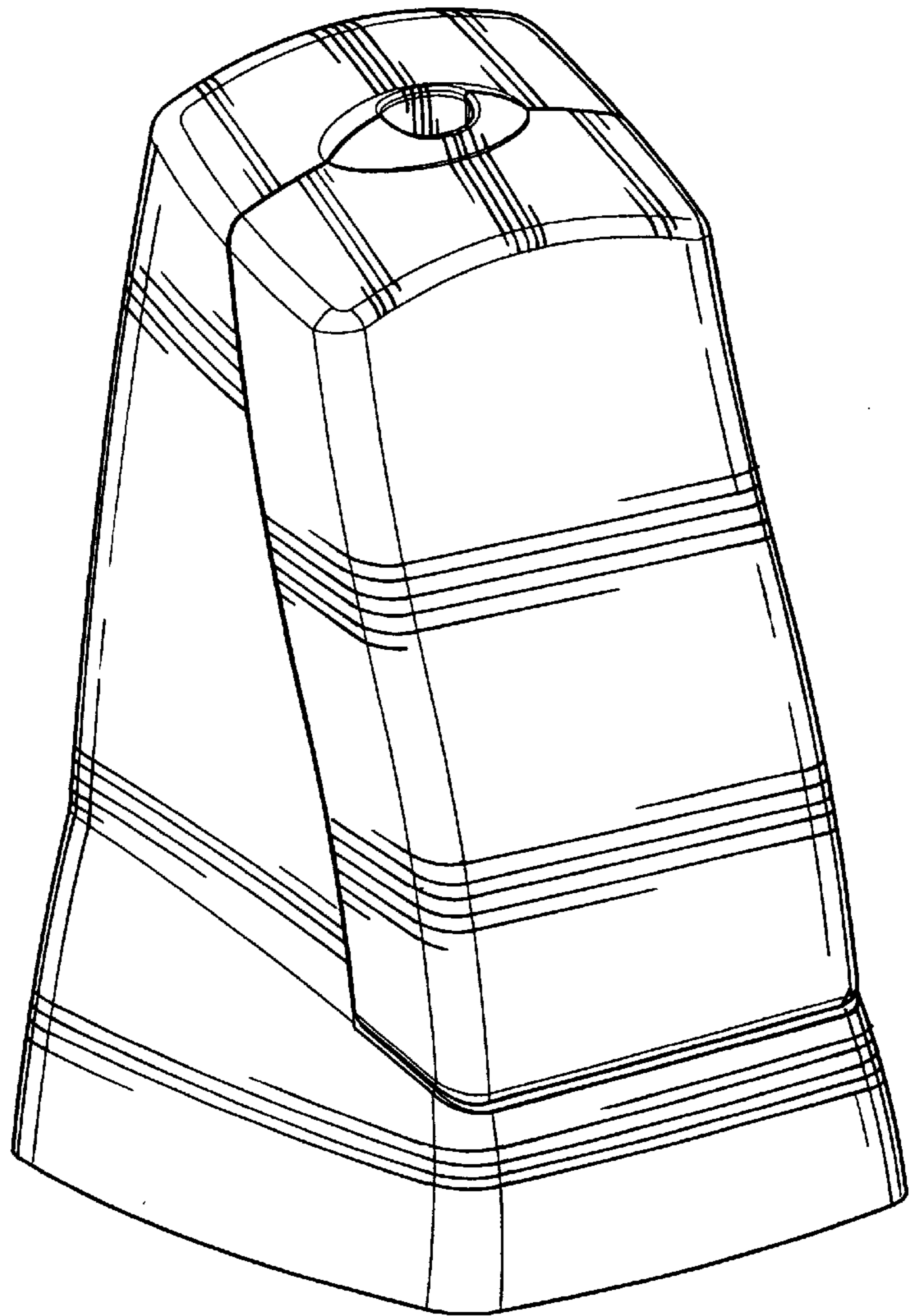


Fig-2

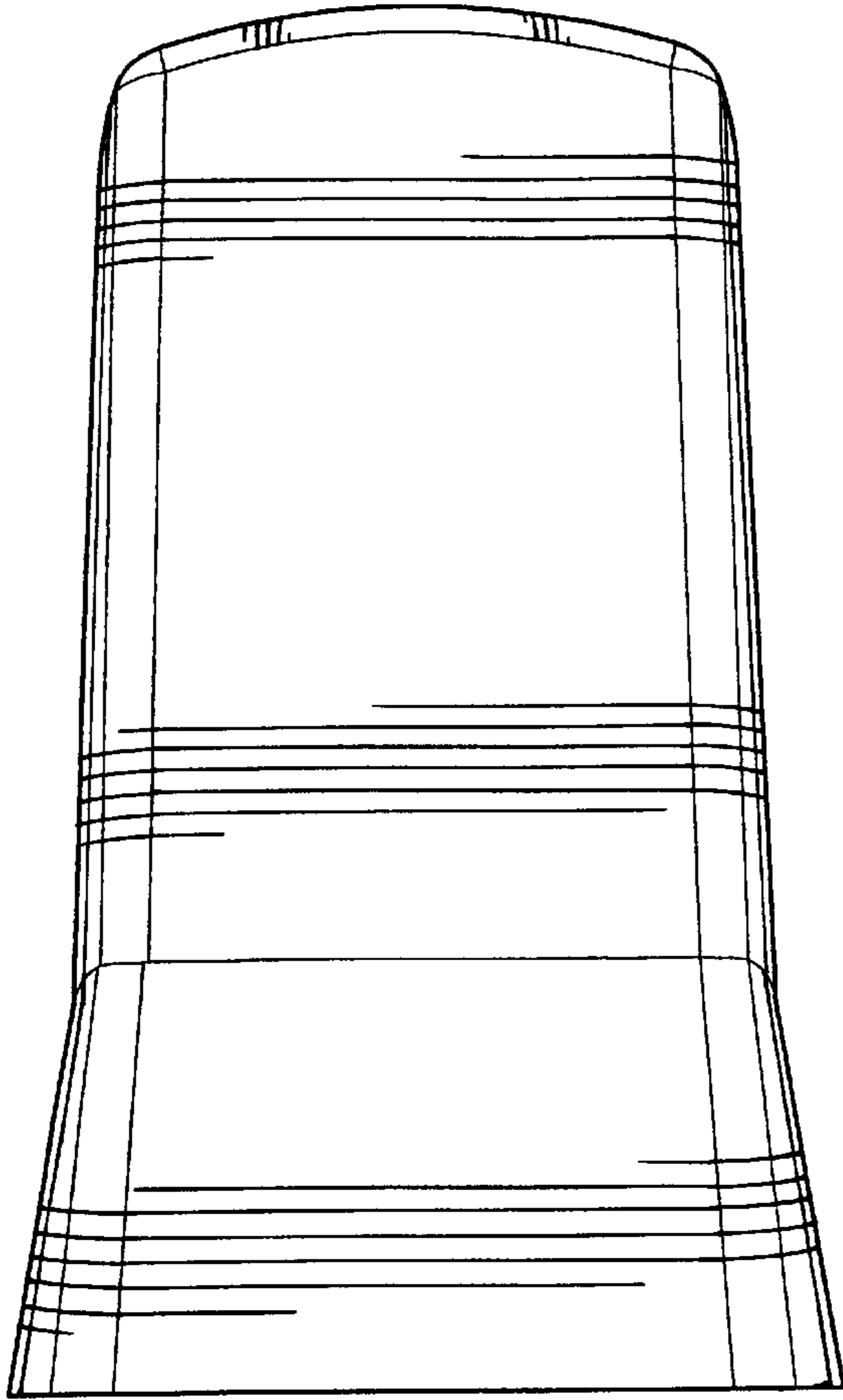


Fig-3

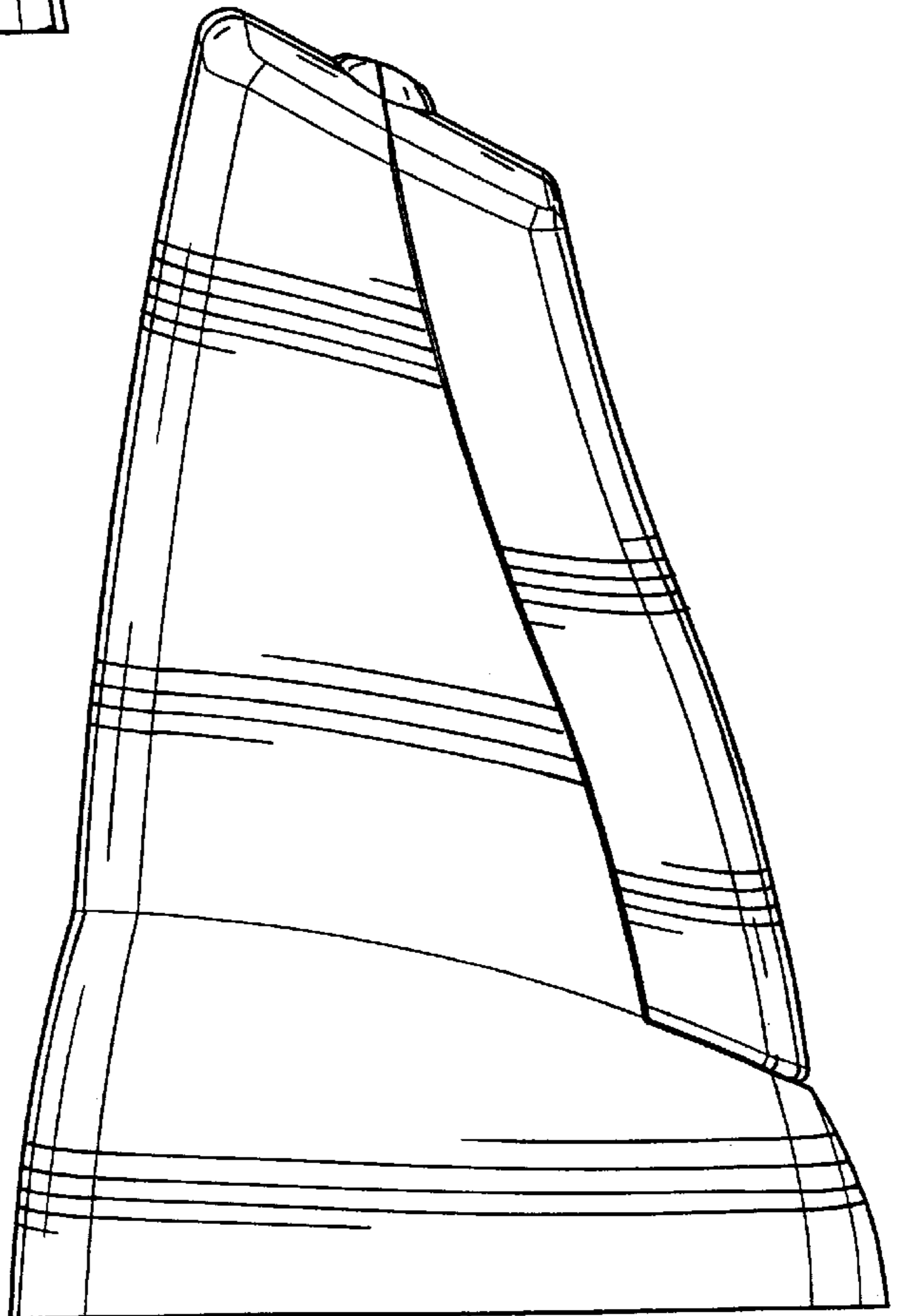


Fig-4

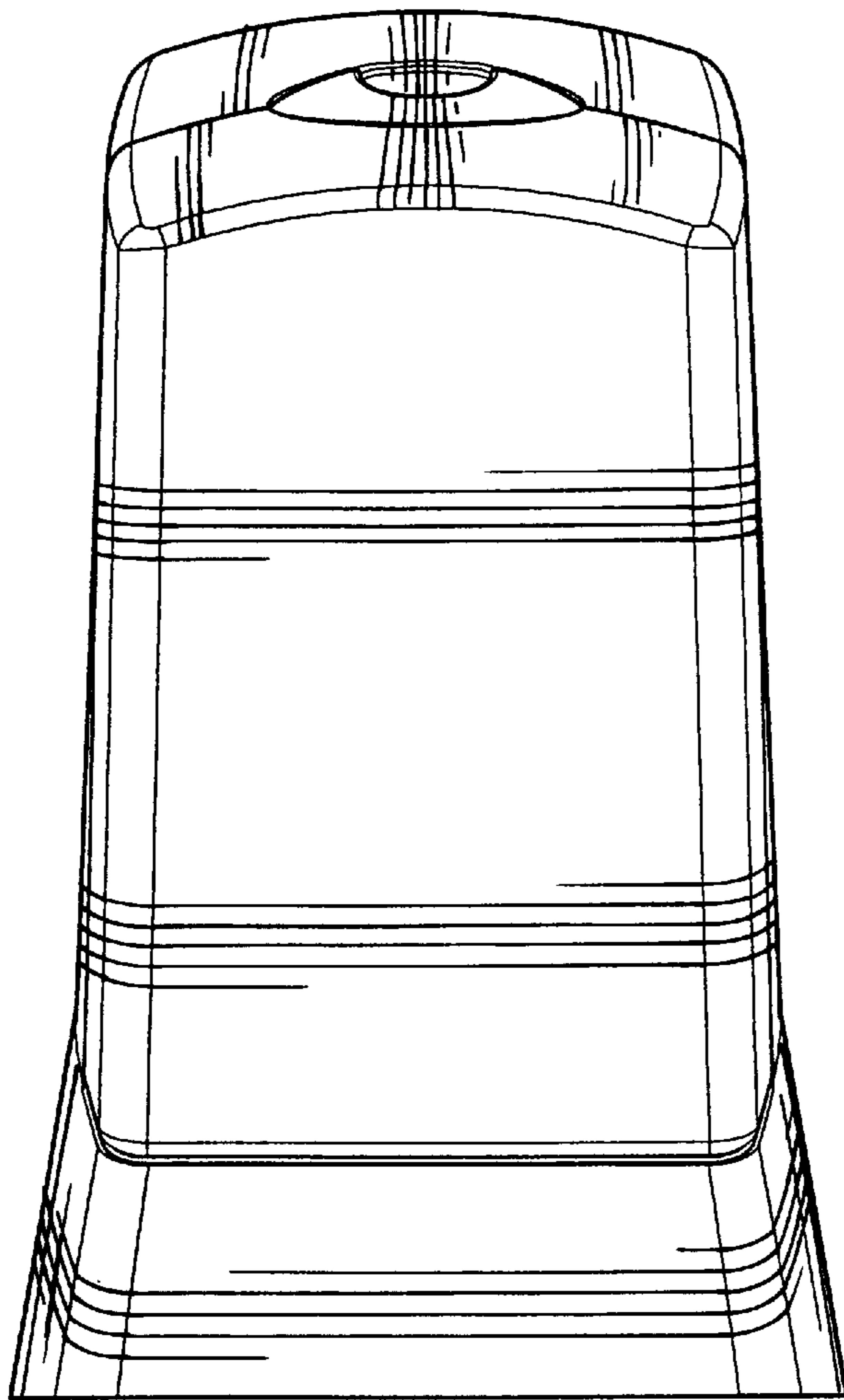


Fig-5