



US00D400747S

**United States Patent** [19]  
**Warshawsky**

[11] **Patent Number: Des. 400,747**  
[45] **Date of Patent: \*\*Nov. 10, 1998**

[54] **TOWEL/SOAP TUMBLER TOOTHBRUSH  
HOLDER**

[75] Inventor: **Jerome Warshawsky**, Hewlett Harbor,  
N.Y.

[73] Assignee: **I.W. Industries, Inc.**, Melville, N.Y.

[\*\*] Term: **14 Years**

[21] Appl. No.: **75,131**

[22] Filed: **Aug. 11, 1997**

[51] **LOC (6) Cl.** ..... **06-02**

[52] **U.S. Cl.** ..... **D6/527**

[58] **Field of Search** ..... D6/527, 528, 529-533,  
D6/515, 518, 519, 520-523, 546-550; 211/13.01,  
88.01, 68, 85.23, 85.17, 65, 96; 248/282.1,  
309.1, 311.2, 360

[56] **References Cited**

**U.S. PATENT DOCUMENTS**

D. 17,098 2/1887 Palmenberg ..... D6/411  
D. 69,281 1/1926 Nelson ..... D6/532

D. 160,484 10/1950 De Mark ..... D6/529  
D. 358,070 5/1995 Sharpe ..... D6/531  
613,231 11/1898 Bennett ..... 211/88.01  
1,095,448 5/1914 Bungiovanni ..... 211/88.01  
1,367,765 8/1921 Colonna ..... 211/168  
1,551,434 8/1925 Shiffer ..... D6/529 X  
1,742,164 12/1929 Berke ..... 211/168

*Primary Examiner*—Pamela Burgess  
*Attorney, Agent, or Firm*—Alfred M. Walker

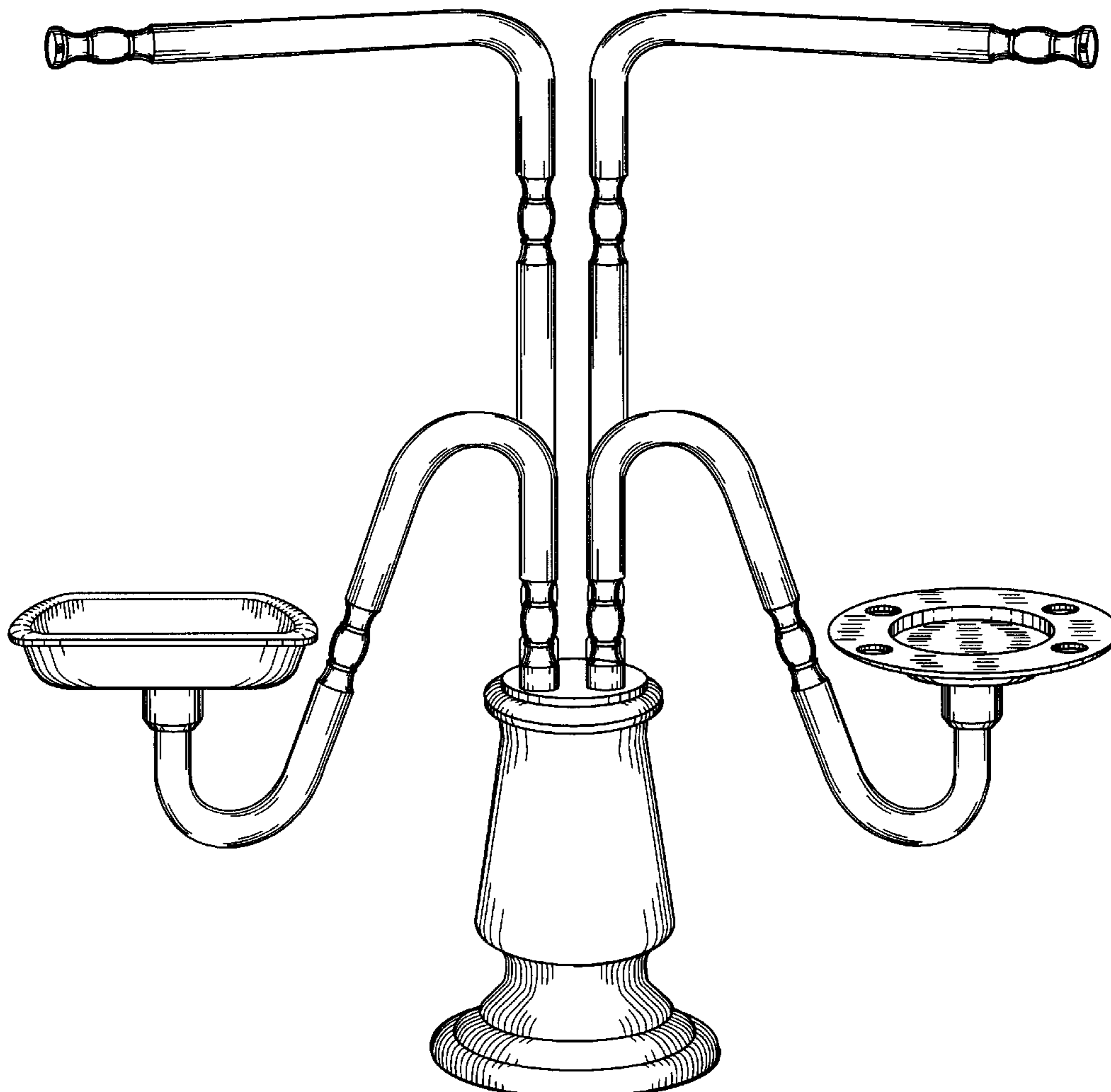
[57] **CLAIM**

The ornamental design for a towel/soap tumbler toothbrush holder, as shown and described.

**DESCRIPTION**

FIG. 1 is a perspective view of a towel/soap tumbler toothbrush holder, showing my new design; FIG. 2 is a front elevational view thereof; FIG. 3 is a rear view thereof; FIG. 4 is a right side elevational view thereof; FIG. 5 is a left side elevational view thereof; FIG. 6 is a top plan view thereof; and, FIG. 7 is a bottom view thereof.

**1 Claim, 5 Drawing Sheets**



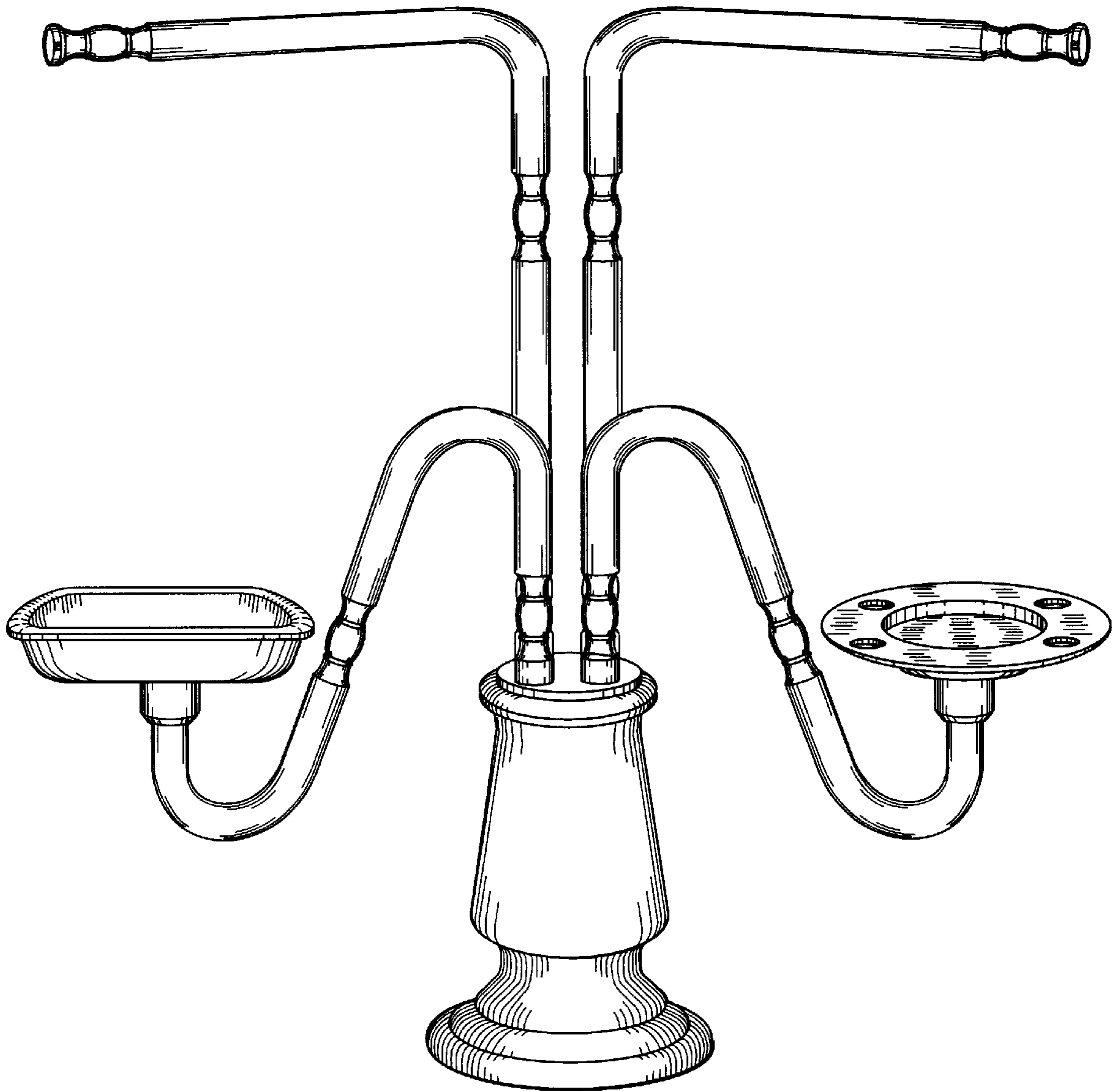


FIG. 1

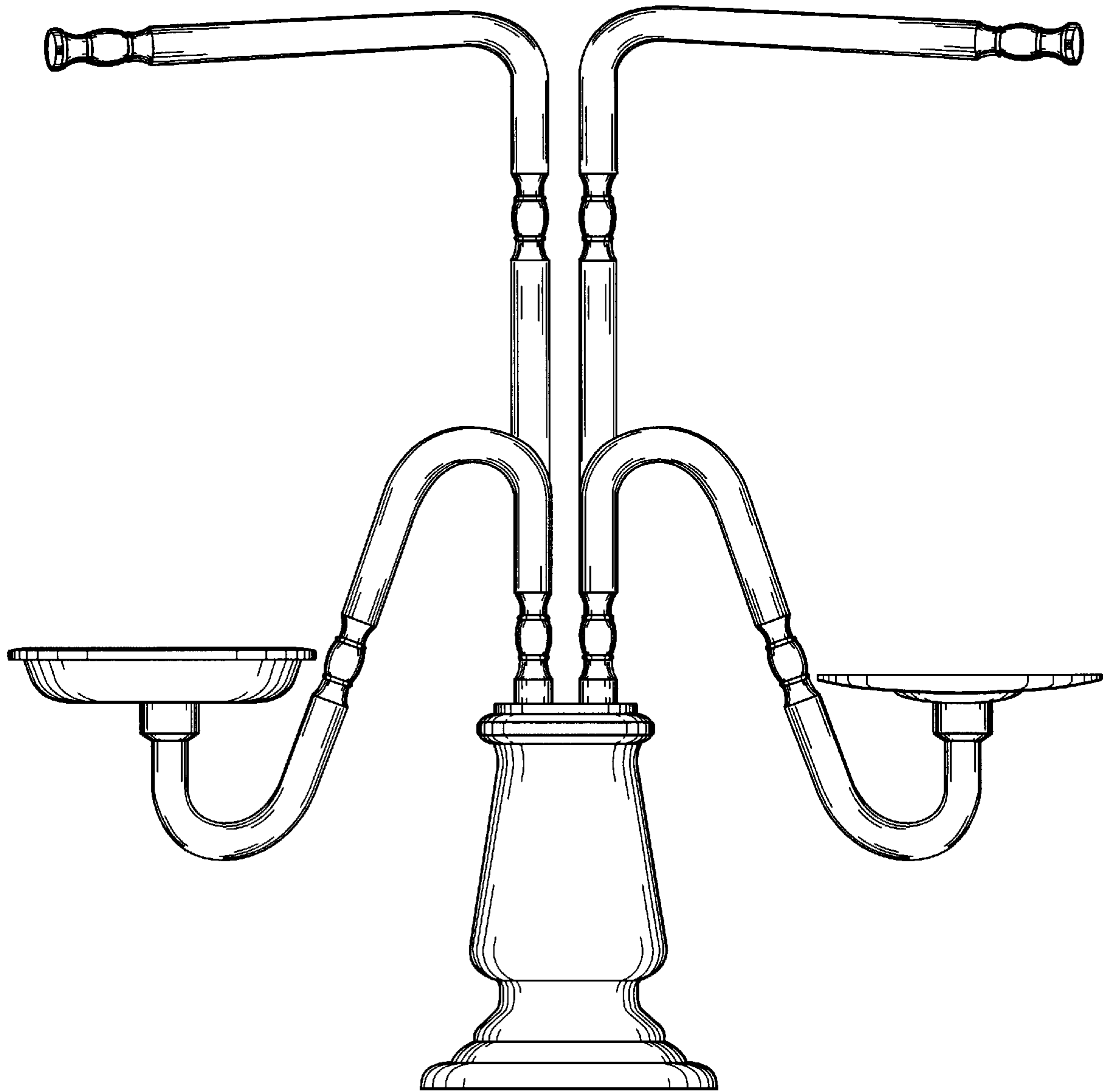


FIG. 2

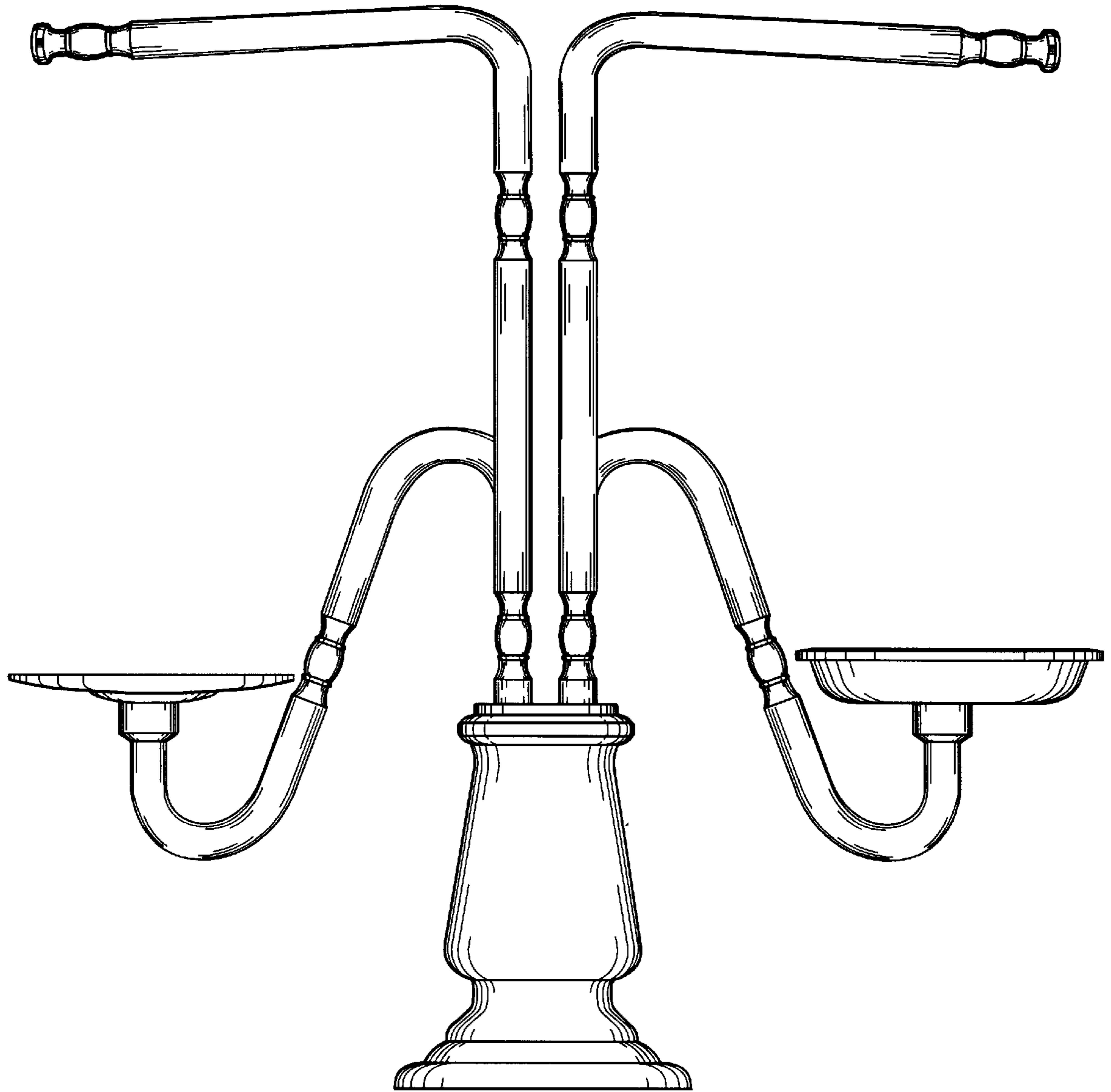


FIG. 3

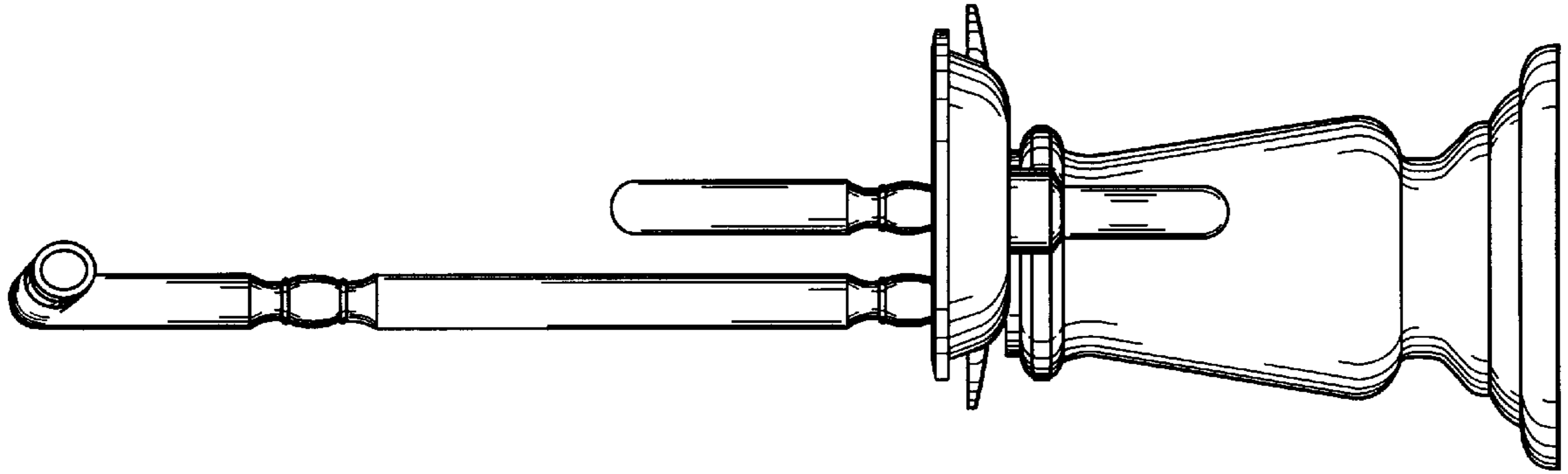


FIG. 5

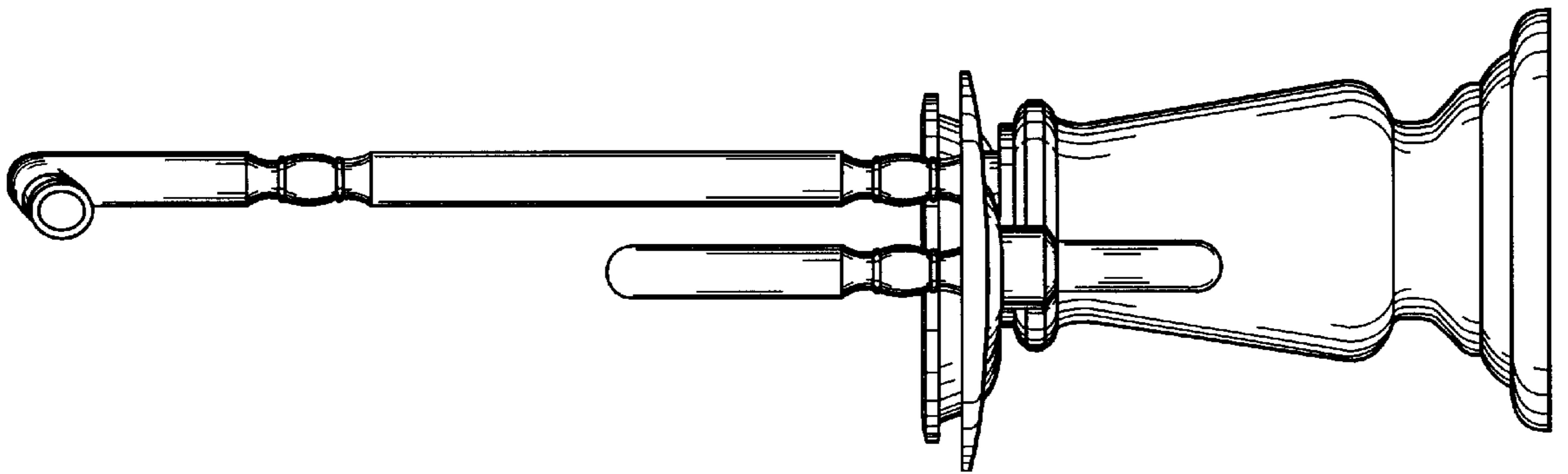


FIG. 4



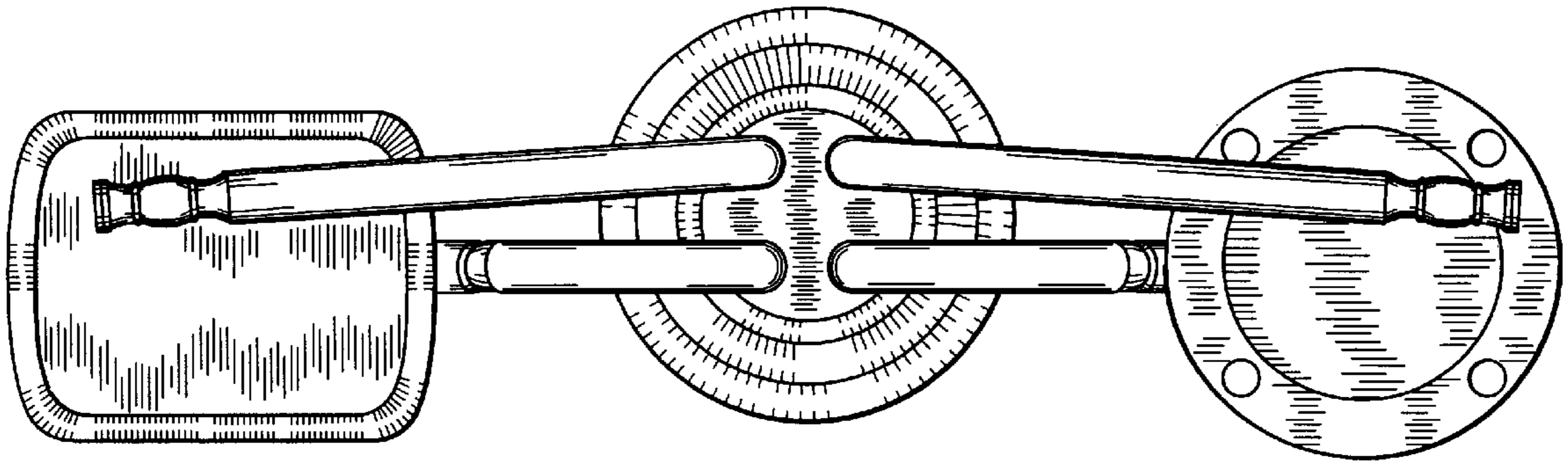


FIG. 6

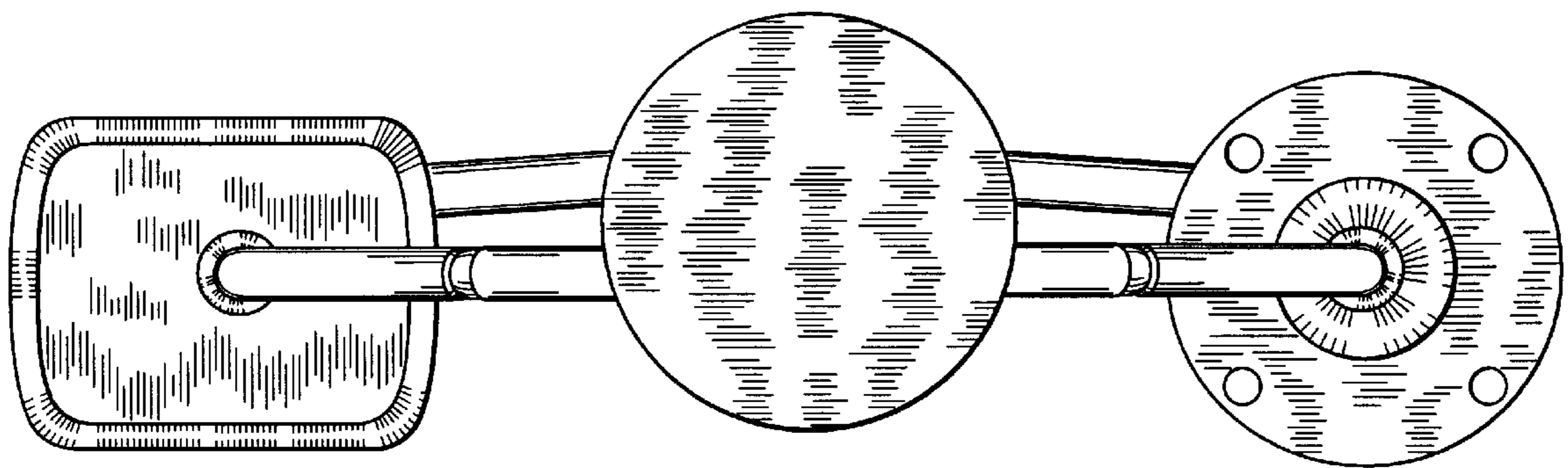


FIG. 7