



US00D400746S

United States Patent [19]

Althaus et al.

[11] **Patent Number: Des. 400,746**

[45] **Date of Patent: **Nov. 10, 1998**

[54] **RAZOR HOLDER**

D. 387,930 12/1997 Israel et al. D6/526
5,228,580 7/1993 Grange 211/70.6

[75] Inventors: **Wolfgang Althaus**, Wuppertal, Germany; **David Coffin**, Milford, Conn.; **Michael Schwarz**, Herne, Germany

Primary Examiner—Brian N. Vinson
Attorney, Agent, or Firm—Charles W. Almer, III

[73] Assignee: **Warner-Lambert Company**, Morris Plains, N.J.

[57] **CLAIM**

The ornamental design for a razor holder, as shown and described.

[**] Term: **14 Years**

DESCRIPTION

[21] Appl. No.: **72,392**

FIG. 1 is a front perspective view of the razor holder;
FIG. 2 is a back perspective view of the razor holder;
FIG. 3 is a front view of the razor holder;
FIG. 4 is a top view of the razor holder;
FIG. 5 is a bottom view of the razor holder;
FIG. 6 is a side view of the razor holder; and,
FIG. 7 is a back view of the razor holder.

[22] Filed: **Jun. 16, 1997**

[51] **LOC (6) Cl. 07-04**

[52] **U.S. Cl. D6/526**

[58] **Field of Search** D6/526; D3/205;
206/208; 211/13.1, 69.5, 70.6, 70.7; 248/176.1

[56] **References Cited**

U.S. PATENT DOCUMENTS

D. 335,599 5/1993 Novak D6/526

1 Claim, 6 Drawing Sheets

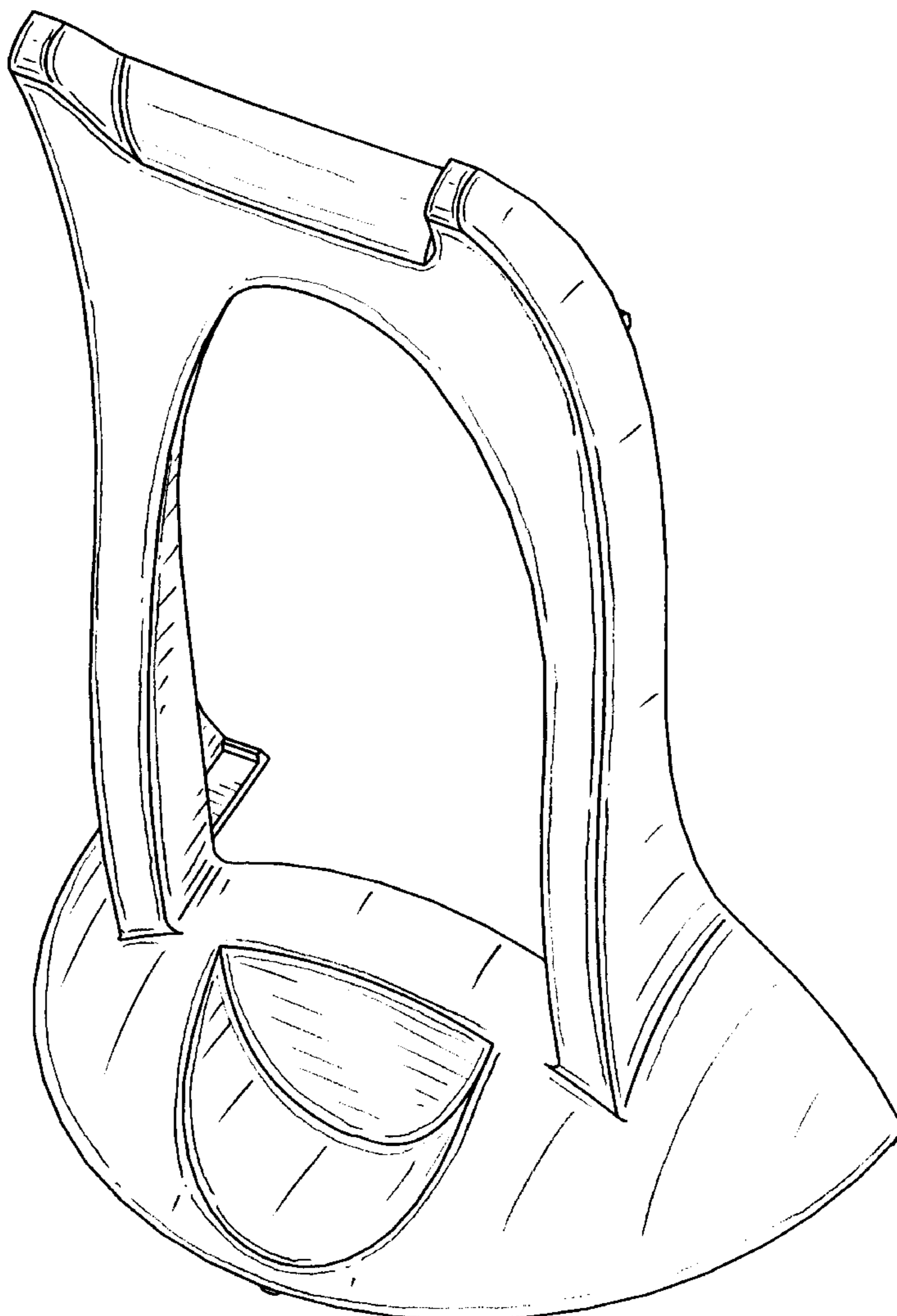


FIG-1

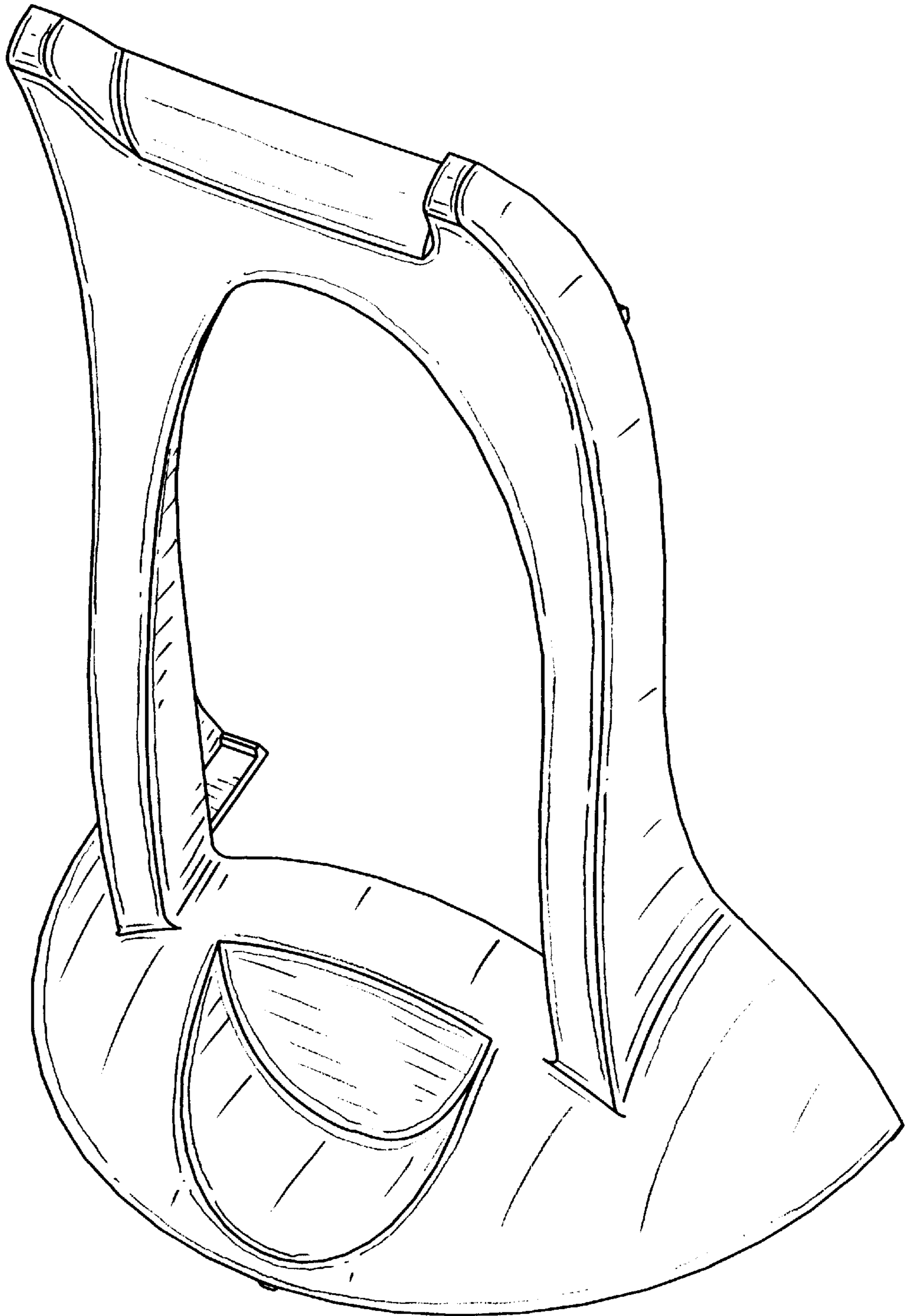


FIG-2

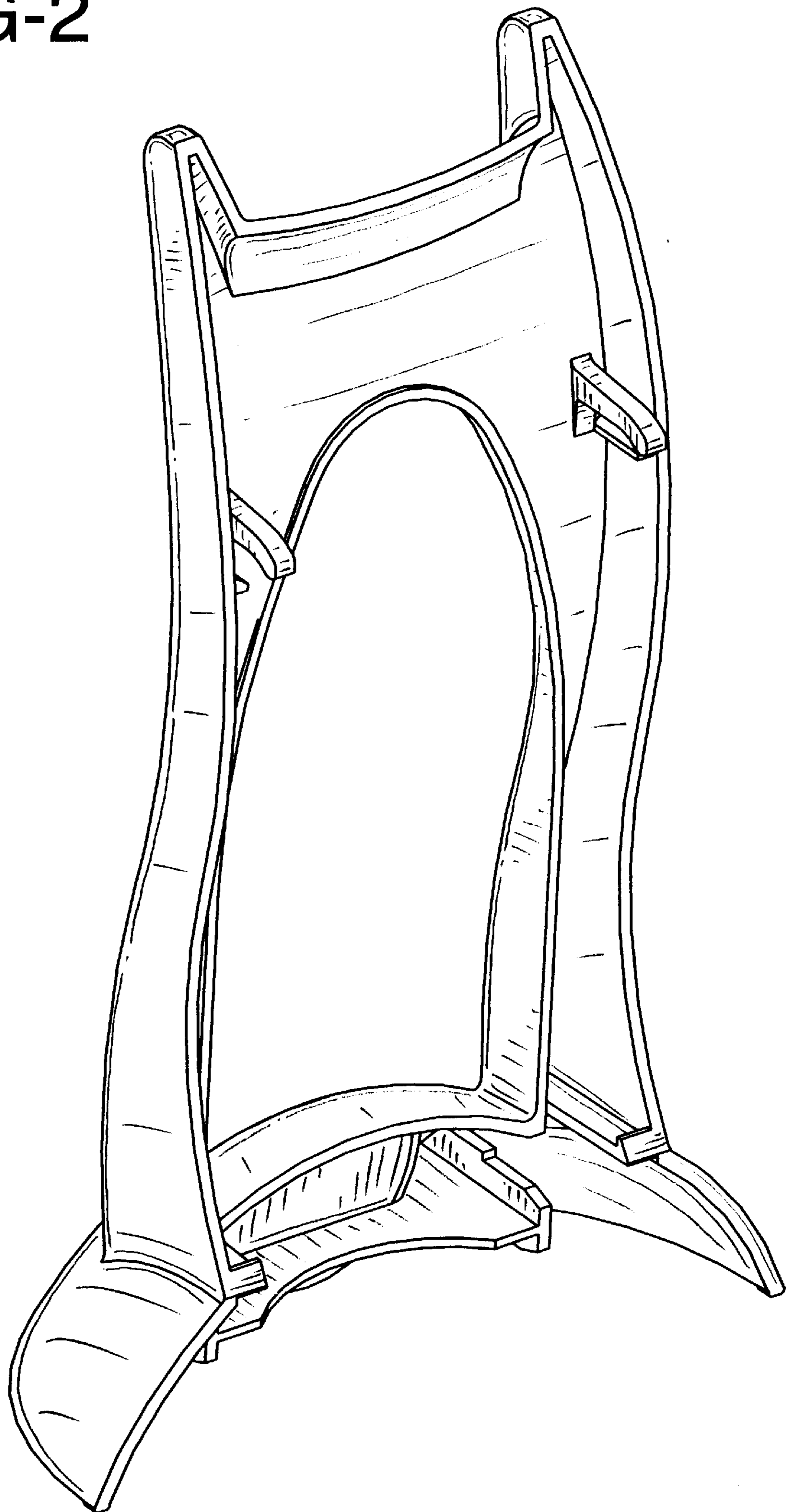


FIG-3

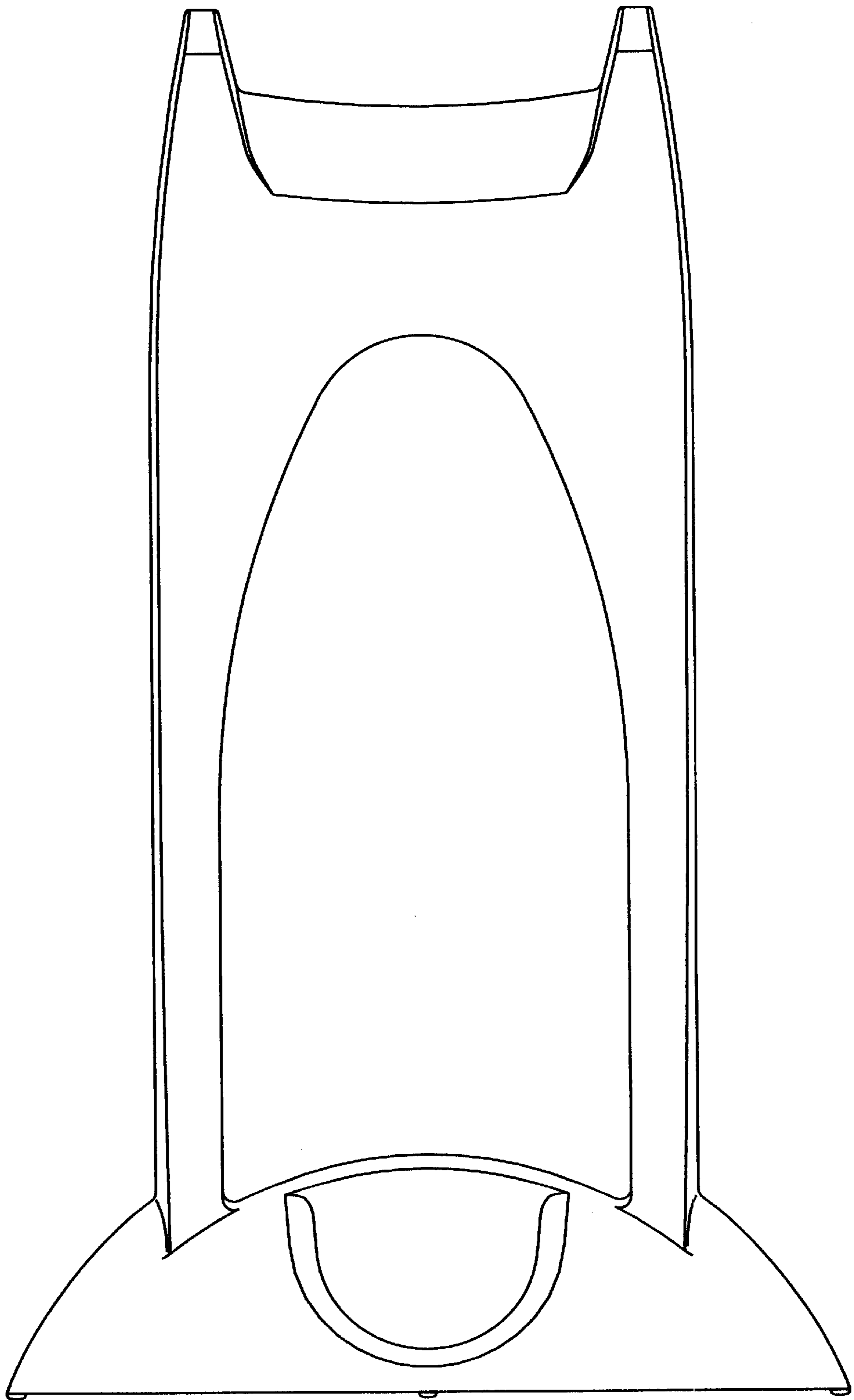


FIG-4

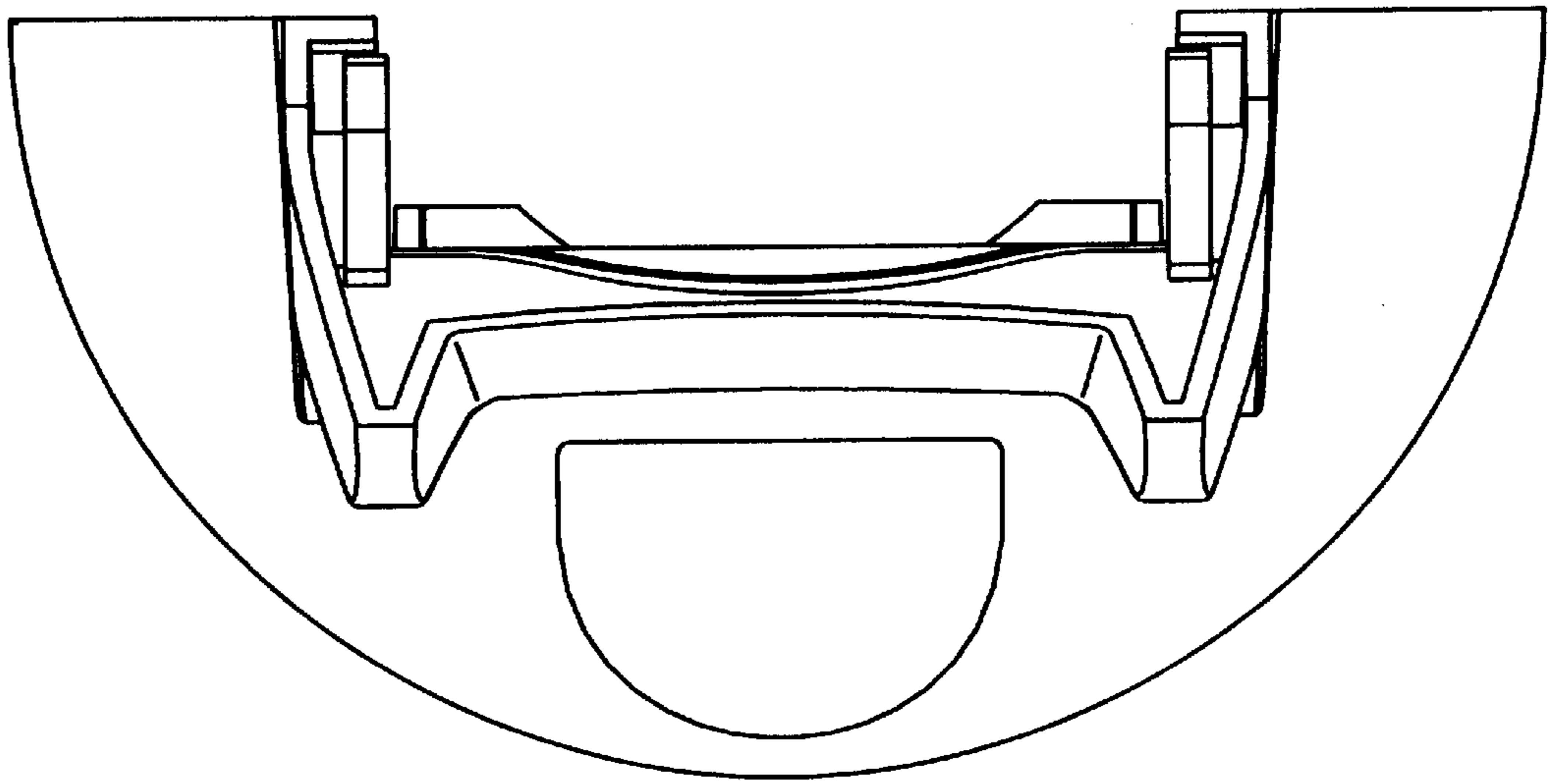


FIG-5

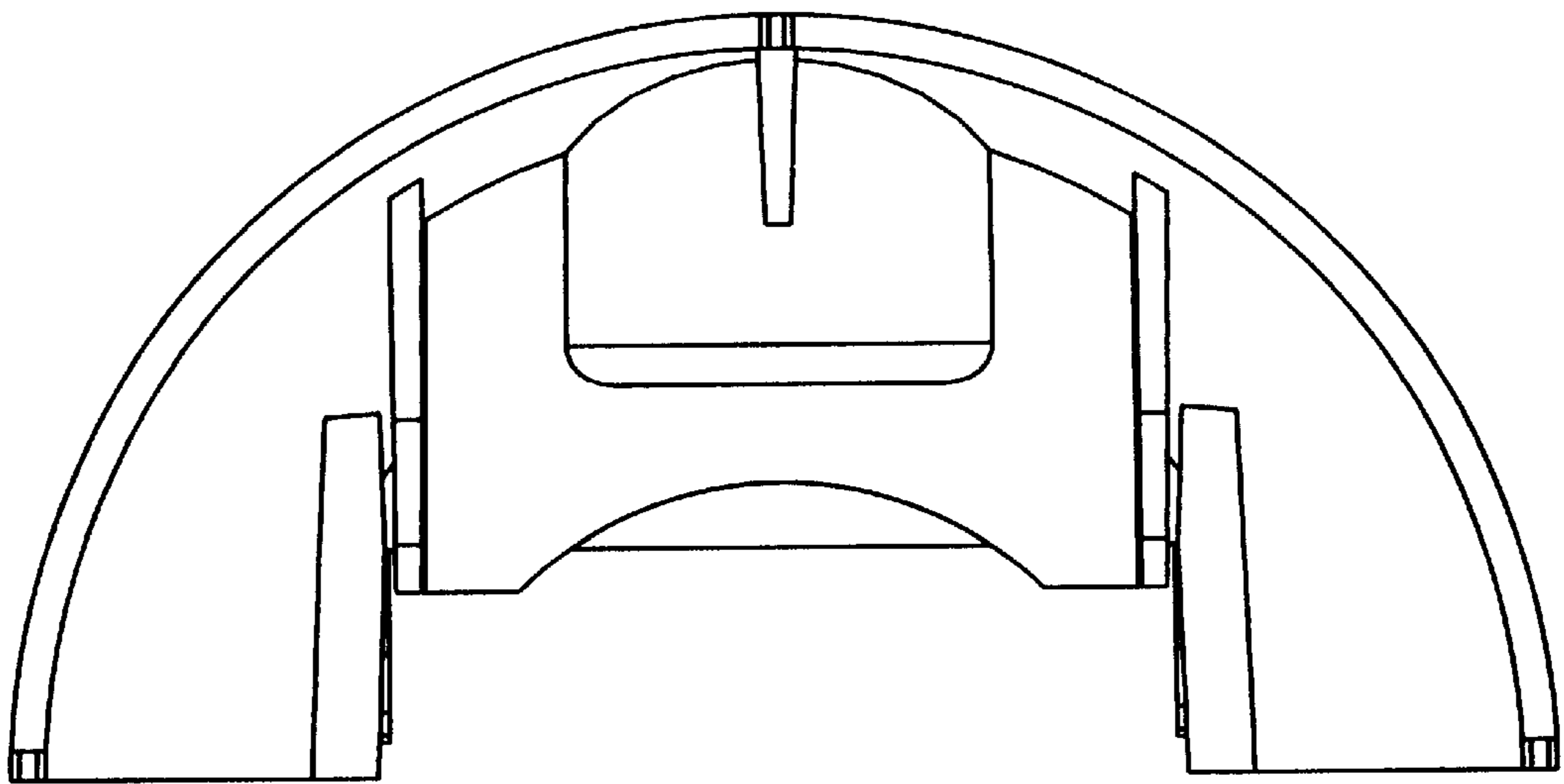


FIG-6

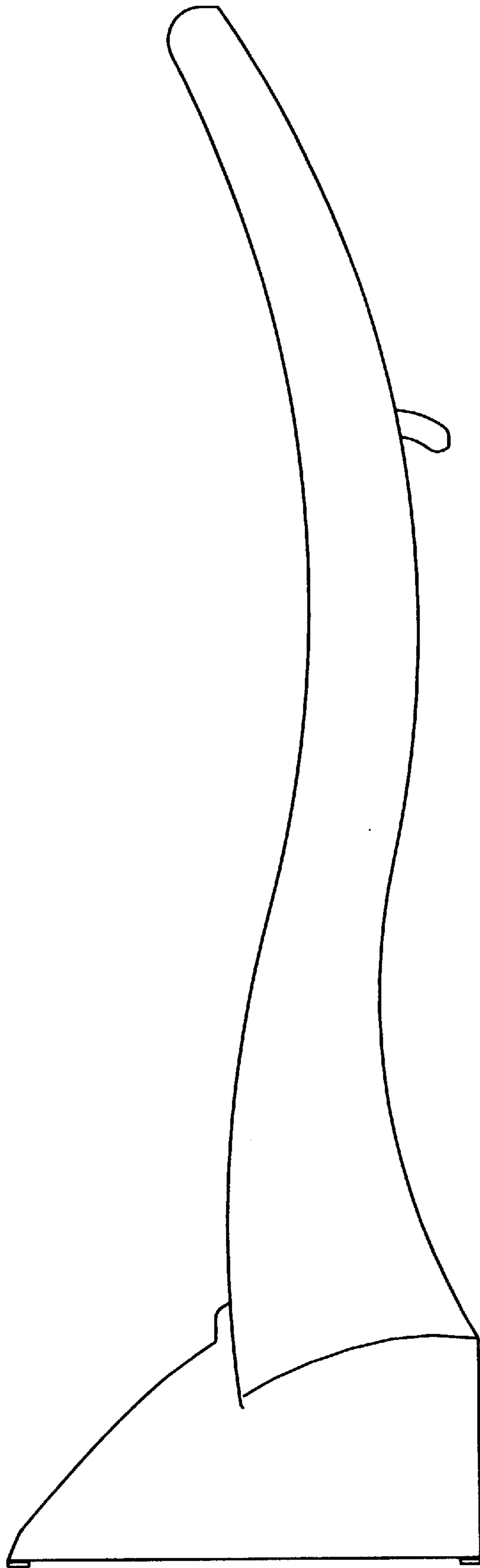


FIG-7

