



US00D400743S

United States Patent [19]

[11] **Patent Number: Des. 400,743**

Jenkins et al.

[45] **Date of Patent: **Nov. 10, 1998**

[54] **RETRACTABLE HEXAGONAL GAME TABLE TOP**

3,185,114 5/1965 Consin 108/69
5,193,465 3/1993 Delay et al. 108/69 X

[75] Inventors: **Larry G. Jenkins, Searcy; Gary L. Dukes**, Little Rock, both of Ark.

Primary Examiner—James Gandy
Assistant Examiner—Linda Brooks
Attorney, Agent, or Firm—Stephen D. Carver

[73] Assignee: **Whitaker Furniture Co. Inc.**, Searcy, Ark.

[57] **CLAIM**

[**] Term: **14 Years**

The ornamental design for a retractable hexagonal game table top, as shown and described.

[21] Appl. No.: **64,074**

DESCRIPTION

[22] Filed: **Nov. 12, 1996**

[51] **LOC (6) Cl.** **06-03**

[52] **U.S. Cl.** **D6/511; D6/430**

[58] **Field of Search** D6/474, 509–511, D6/488, 430, 491, 480, 486, 483, 425, 429; D21/14, 33, 37; 108/69, 78, 102, 92, 12, 14, 16, 17, 64, 65, 137, 152, 161; 273/309

FIG. 1 is a frontal perspective view of the retractable hexagonal game table top, the rear perspective view of the table being a mirror image thereof;
FIG. 2 is a frontal perspective view thereof, with environmental structure shown in broken lines for purposes of illustration only and forming no part of the claimed design;
FIG. 3 is a top plan view of FIGS. 1 and 2 shown on a reduced scale;
FIG. 4 is a front elevational view of FIG. 3, the rear elevational view being a mirror image thereof;
FIG. 5 is a right side elevational view of FIG. 3, the left side elevational view being a mirror image thereof; and,
FIG. 6 is a bottom plan view of FIG. 3.

[56] **References Cited**

U.S. PATENT DOCUMENTS

- D. 224,874 10/1972 Cook D6/474
- D. 237,563 11/1975 Gerber et al. D21/37
- D. 276,955 1/1985 Hannemaayer D6/430

1 Claim, 3 Drawing Sheets

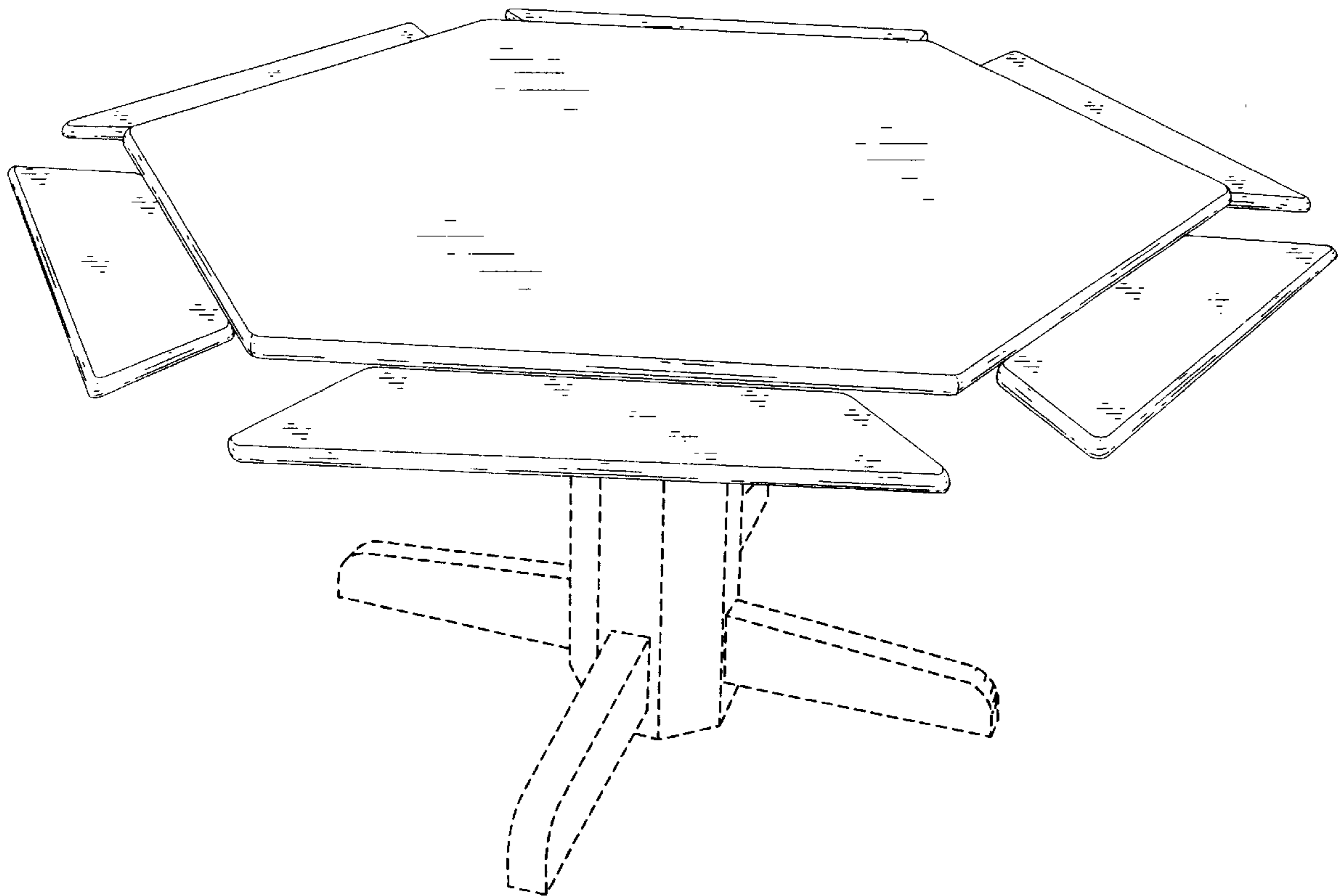


FIG. 1

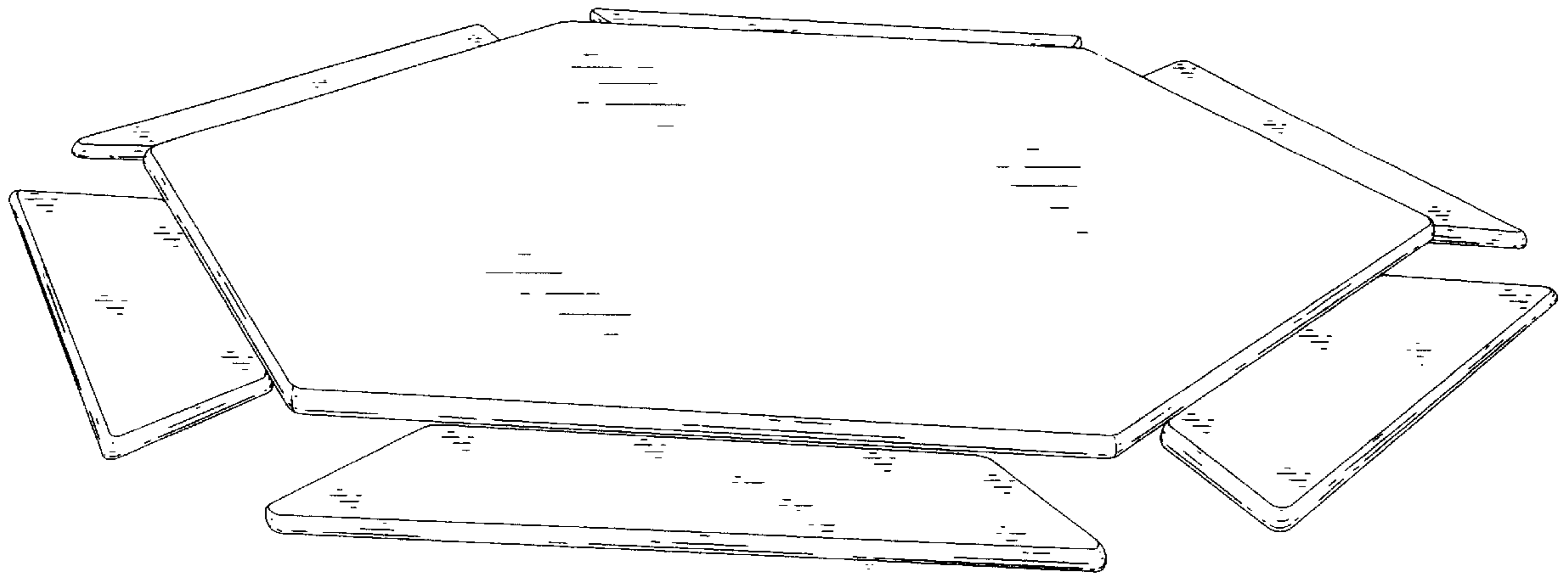


FIG. 2

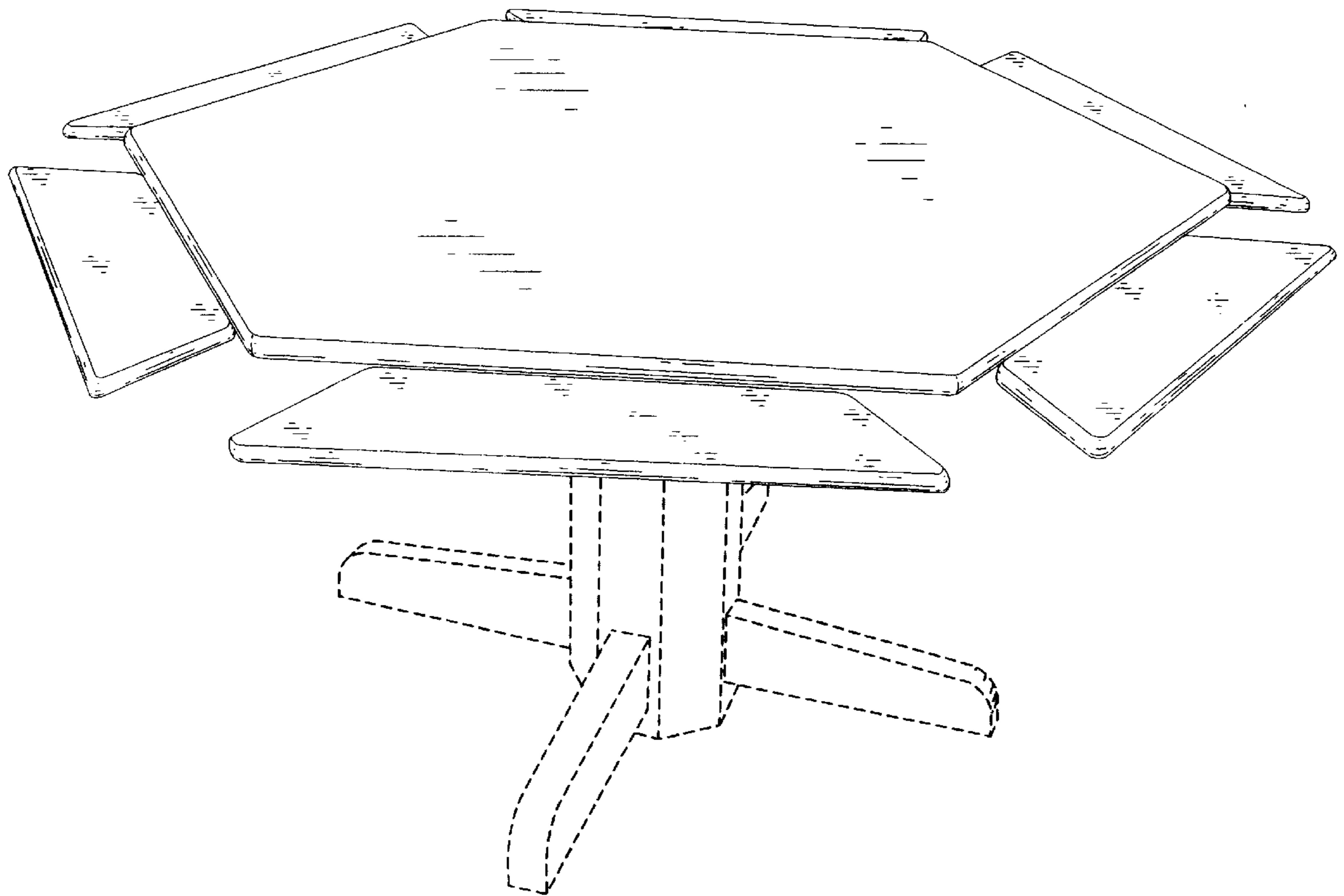


FIG. 3

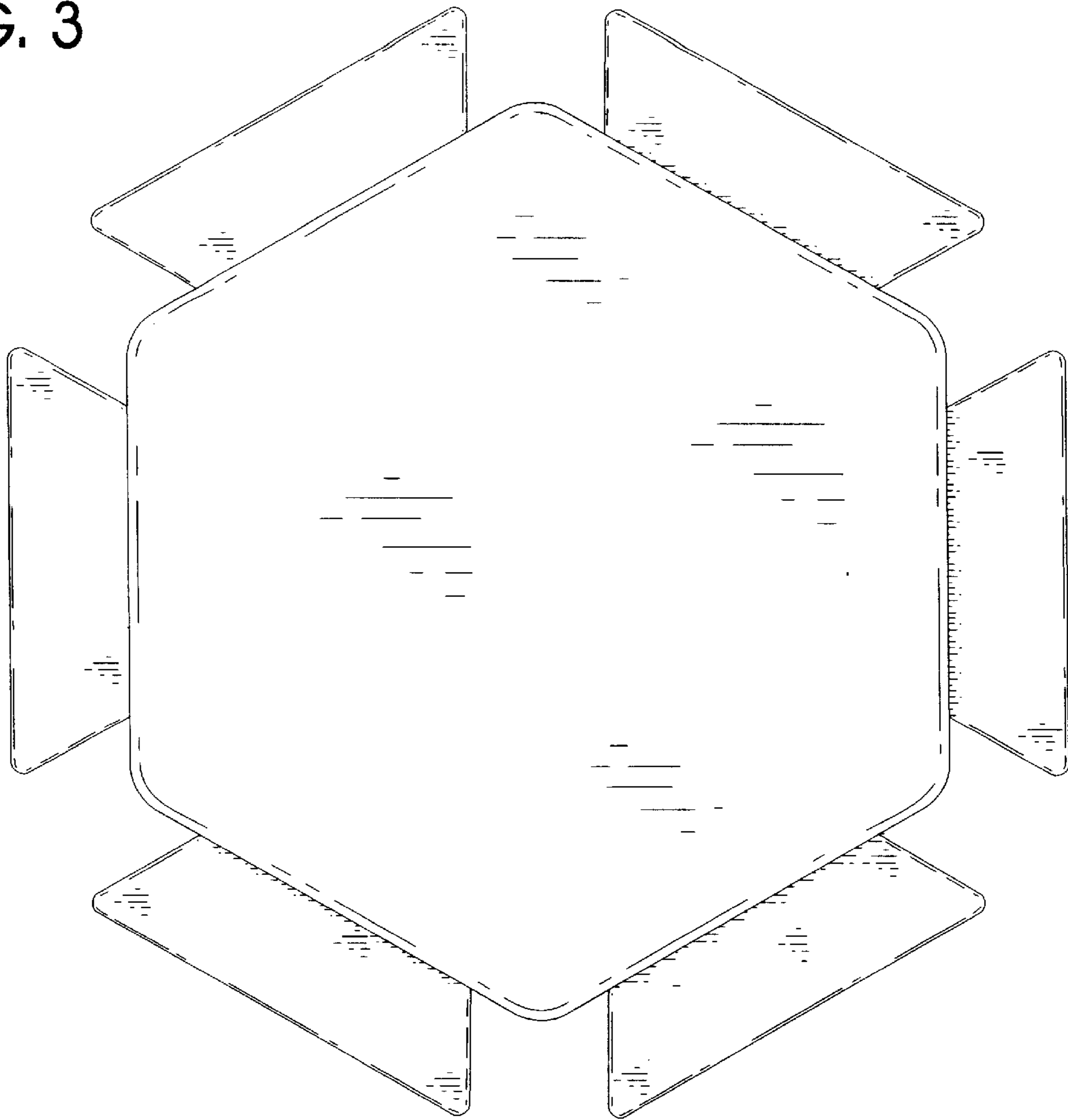


FIG. 4

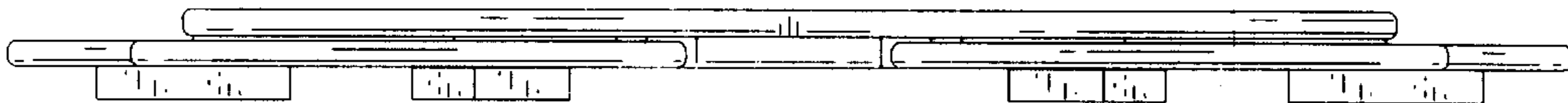


FIG. 5

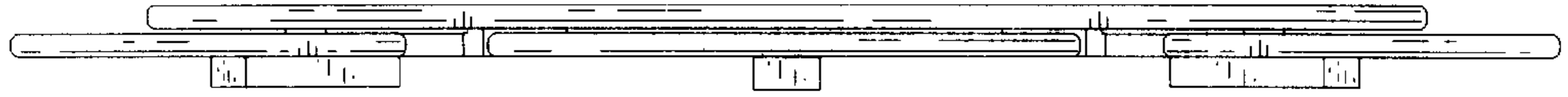


FIG. 6

