



US00D400739S

# United States Patent [19] Sheng

[11] **Patent Number: Des. 400,739**

[45] **Date of Patent: \*\*Nov. 10, 1998**

[54] **ALL-PLASTIC SHELF UNIT WITH DRAWERS**

[75] Inventor: **Tony L. Sheng**, Livingston, N.J.

[73] Assignee: **Honeyware, Inc.**, Kearny, N.J.

[\*\*] Term: **14 Years**

[21] Appl. No.: **76,783**

[22] Filed: **Sep. 19, 1997**

[51] **LOC (6) Cl. .... 06-04**

[52] **U.S. Cl. .... D6/479; D6/436**

[58] **Field of Search** ..... D6/462-465, 432, D6/436, 437, 477-479; D34/19, 20, 21; 312/249.11, 348.3, 257.1, 265.1, 330.1; 108/59, 60, 91-93, 64; 211/1, 134, 135, 153, 194, 126.15, 133.1

[56] **References Cited**

**U.S. PATENT DOCUMENTS**

- D. 330,819 11/1992 Dickinson ..... D6/479
- D. 367,784 3/1996 Goetz ..... D6/479

- D. 384,226 9/1997 Goetz ..... D6/479
- 2,926,022 2/1960 Nau et al. .... 280/79.3
- 5,205,630 4/1993 Welch et al. .... 312/249.11
- 5,704,699 1/1998 Pagelow et al. .... 312/257.1

*Primary Examiner*—James Gandy  
*Assistant Examiner*—Linda Brooks

[57] **CLAIM**

The ornamental design for an all-plastic shelf unit with drawers, as shown and described.

**DESCRIPTION**

FIG. 1 shows the design as viewed looking down and to the right with one of the drawers pulled forward;  
FIG. 2 shows the design as viewed from the side with one of the drawers pulled forward;  
FIG. 3 shows the design as viewed from the front;  
FIG. 4 shows the design as viewed from the top with one of the drawers pulled forward;  
FIG. 5 shows the design as viewed from the rear; and,  
FIG. 6 shows the design as viewed from the bottom with one of the drawers pulled forward.

**1 Claim, 3 Drawing Sheets**

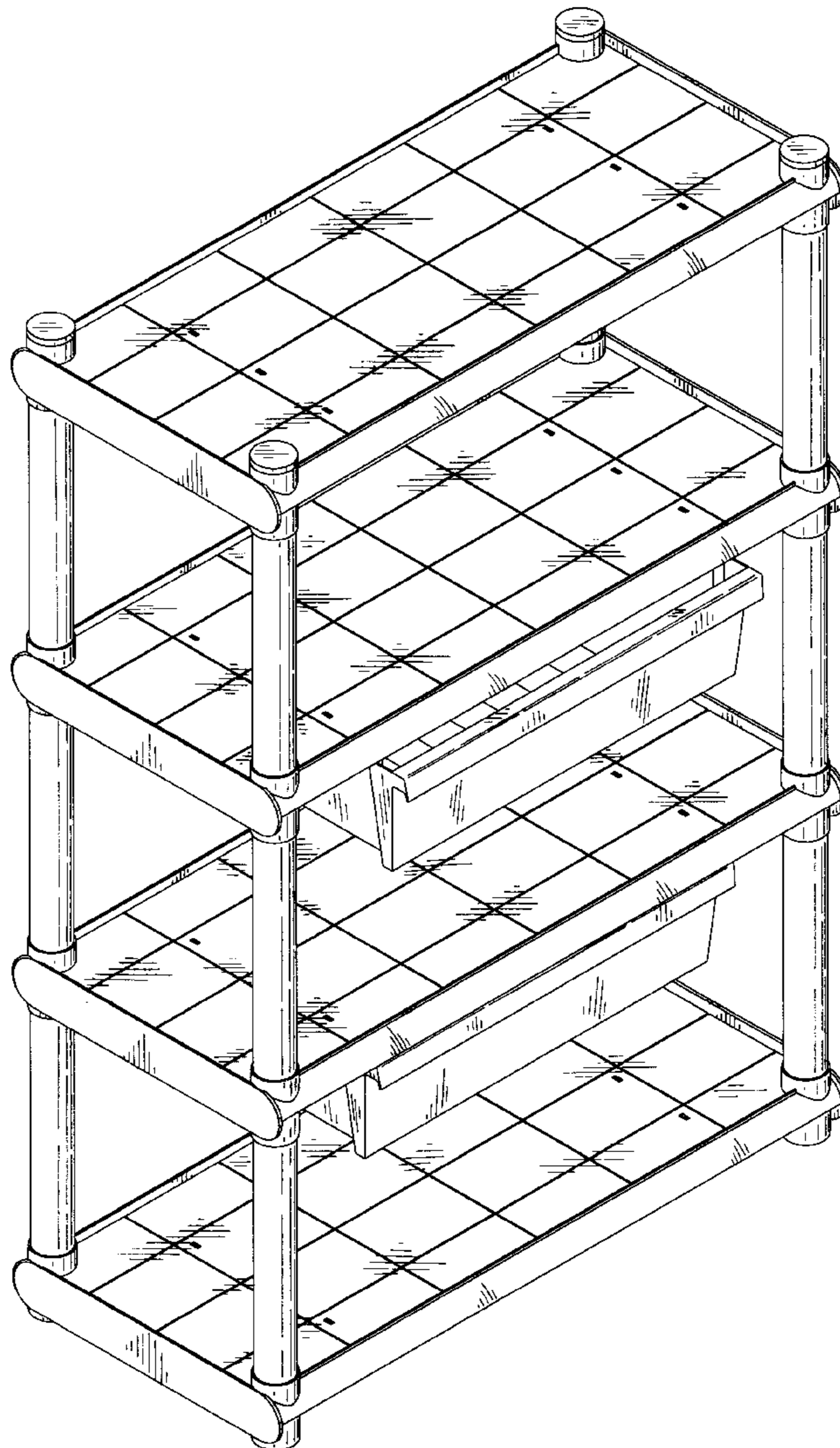


FIG. 1

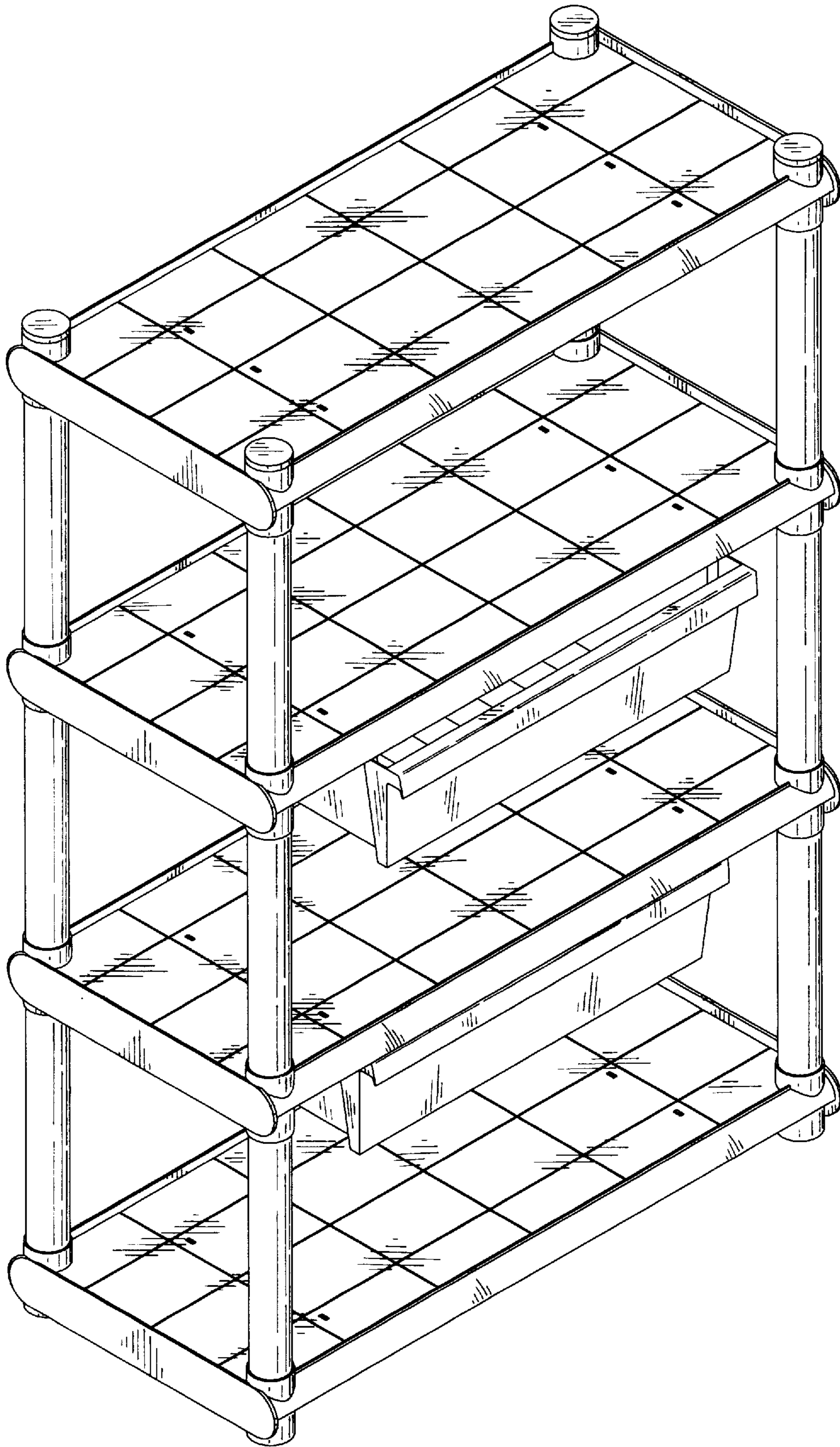


FIG. 2

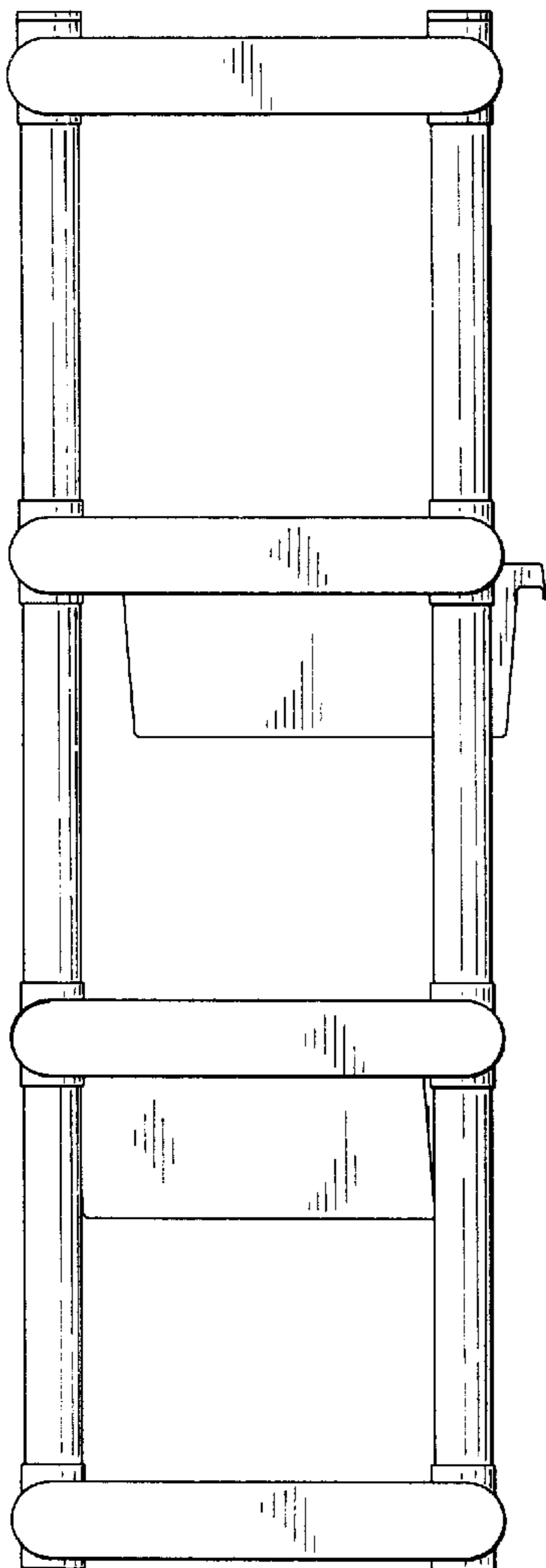


FIG. 3

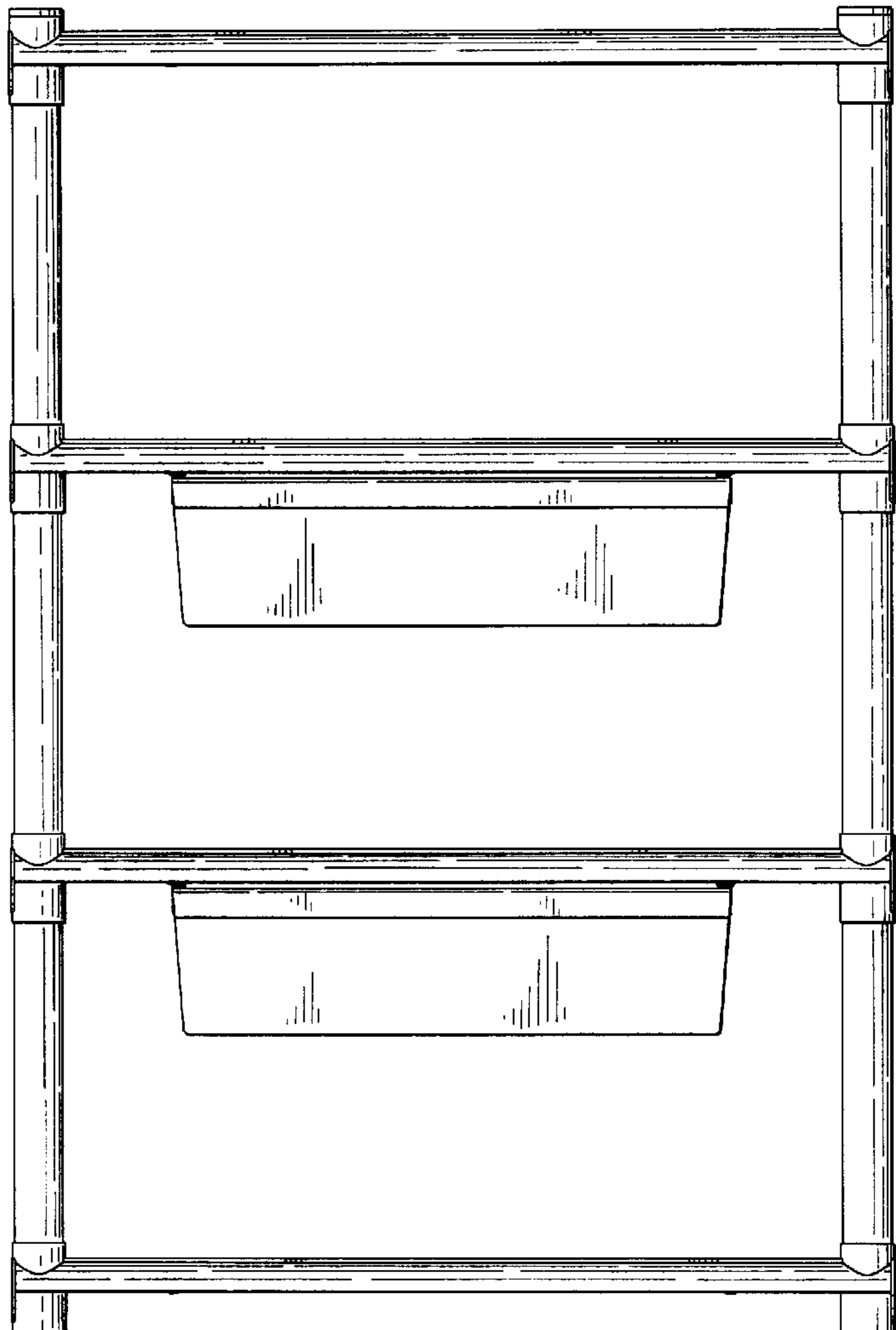


FIG. 4

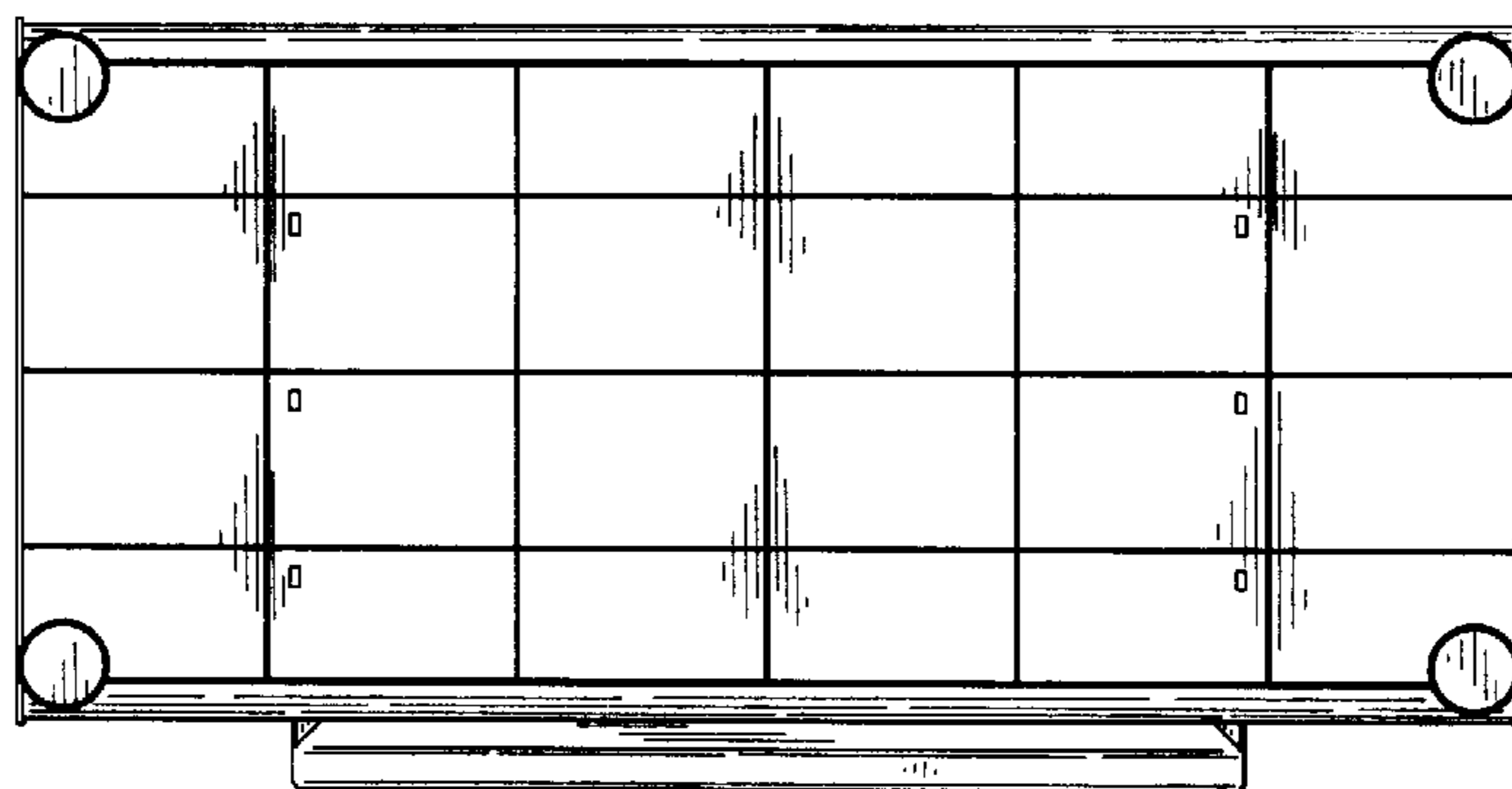


FIG. 5

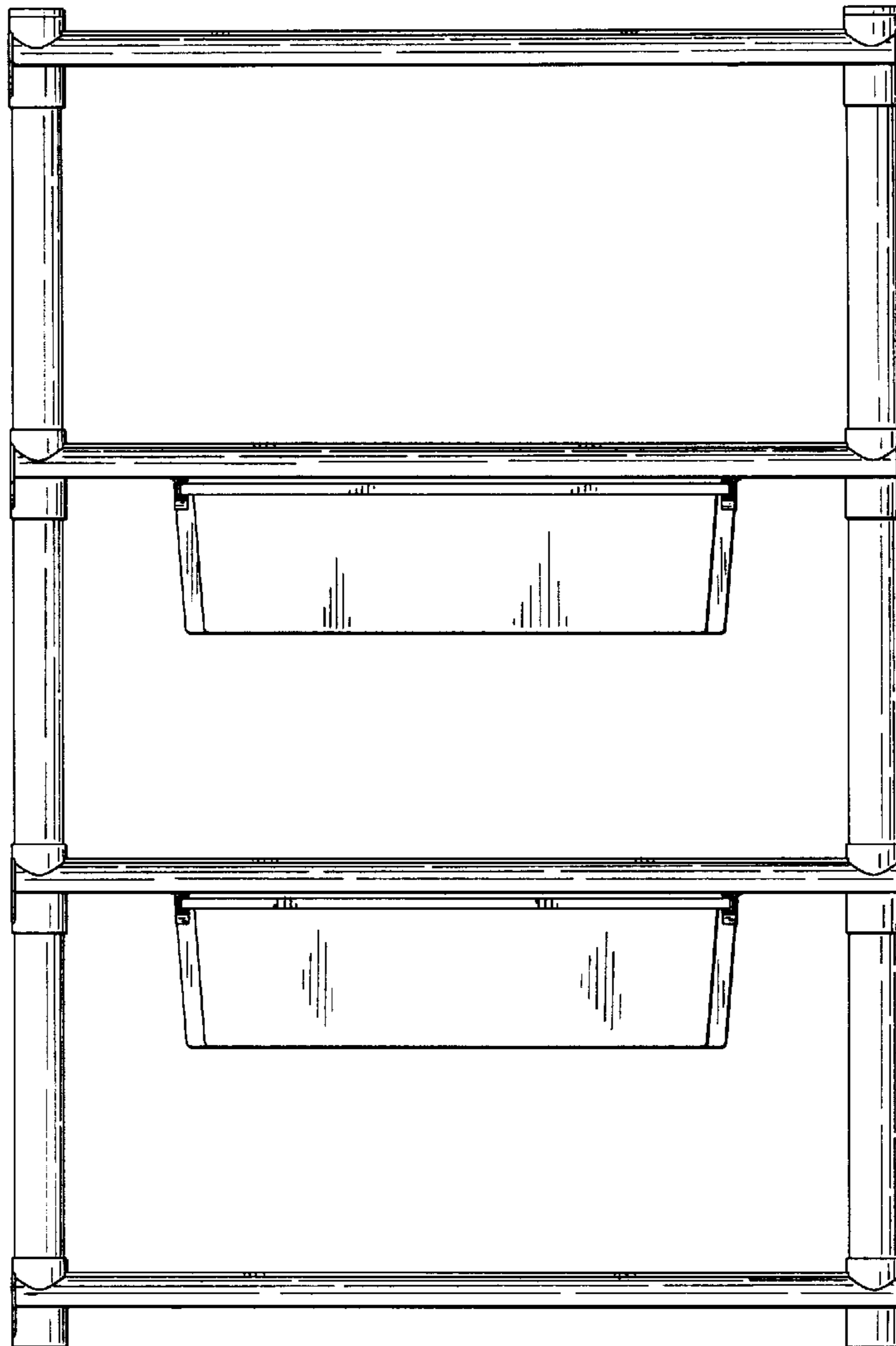


FIG. 6

