

US00D400736S

United States Patent [19]
Churchville et al.

[11] **Patent Number: Des. 400,736**
[45] **Date of Patent: **Nov. 10, 1998**

[54] **BASE FOR A DISPLAY STAND**

[75] Inventors: **Barbara Ann Churchville**, Kennett Square; **Allen Edward Darrone**, West Chester, both of Pa.

[73] Assignee: **Franklin Mint Company**, Franklin Center, Pa.

[**] Term: **14 Years**

[21] Appl. No.: **77,007**

[22] Filed: **Jul. 28, 1997**

[51] **LOC (6) Cl.** **06-03**

[52] **U.S. Cl.** **D6/467**

[58] **Field of Search** D6/509, 449, 462-467, D6/476, 491, 495, 300; D26/10, 23; D19/75, 97, 92, 95, 82; D11/130, 164, 166, 181, 157; 248/346.03, 346.3, 150; 211/71.01, 85.5; 206/557, 564; D20/40; D3/24

[56] **References Cited**

U.S. PATENT DOCUMENTS

- D. 48,746 3/1916 Foster .
- D. 49,097 5/1916 McGrane .
- D. 68,271 9/1925 O'Connell .
- D. 87,211 6/1932 Hague .
- D. 101,799 11/1936 Stinson .
- D. 164,064 7/1951 Rubel D48/2
- D. 189,489 12/1960 Jackson D6/476
- D. 207,413 4/1967 Gardner D48/2
- D. 290,140 6/1987 Wolff D19/75
- D. 314,104 1/1991 Johnson D6/467
- D. 322,370 12/1991 Cross et al. D6/466

- D. 362,357 9/1995 Shinno D6/449
- D. 386,317 11/1997 Costa D11/157 X
- 1,440,509 1/1923 Townsend .
- 1,895,659 1/1933 Hague .
- 2,422,261 6/1947 Richards 248/33
- 3,779,504 12/1973 Schwartz et al. 248/441
- 4,947,263 8/1990 Leluan, Jr. 248/473

FOREIGN PATENT DOCUMENTS

258728 9/1926 United Kingdom .

Primary Examiner—James Gandy
Assistant Examiner—Linda Brooks
Attorney, Agent, or Firm—Seidel, Gonda, Lavorgna & Monaco, PC

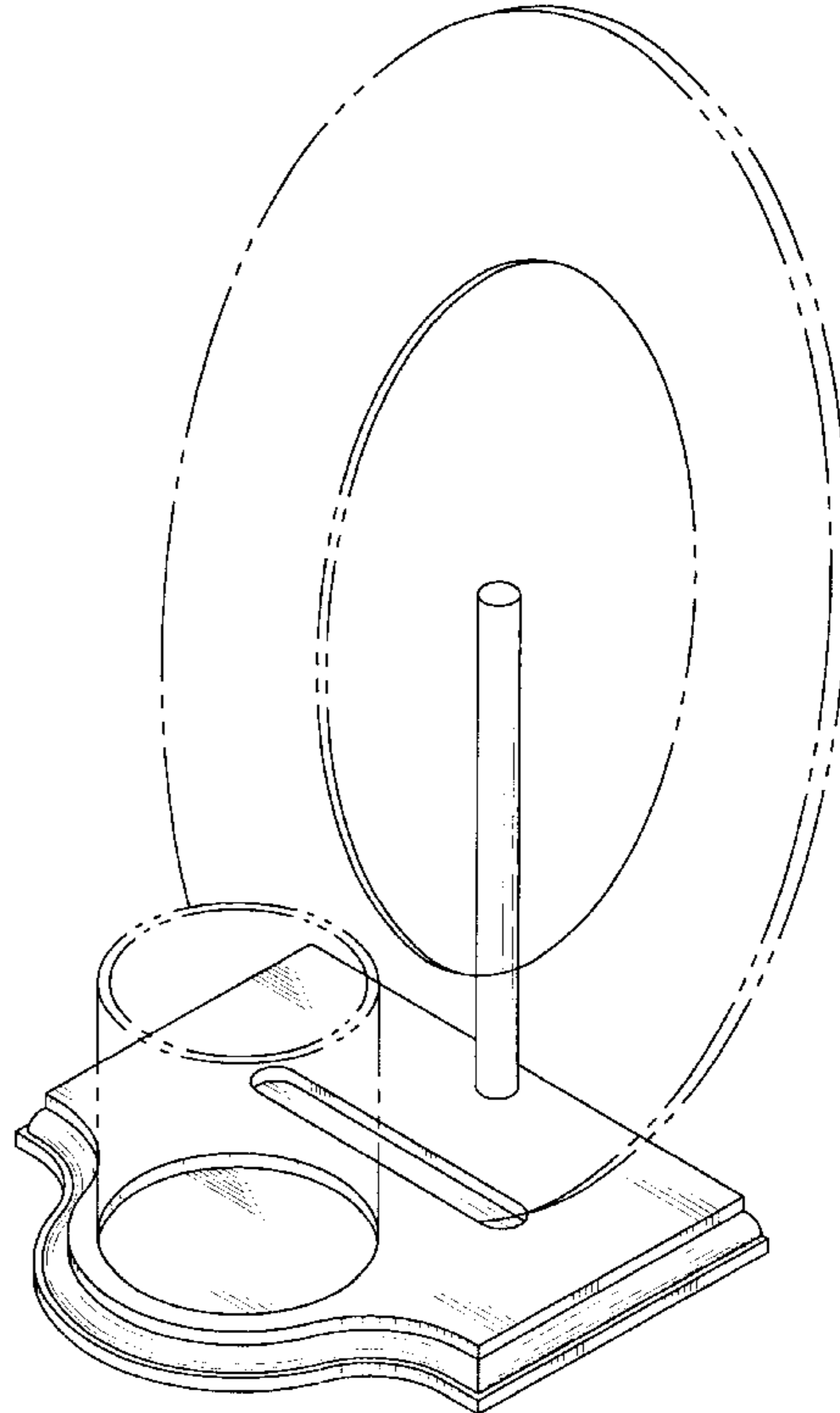
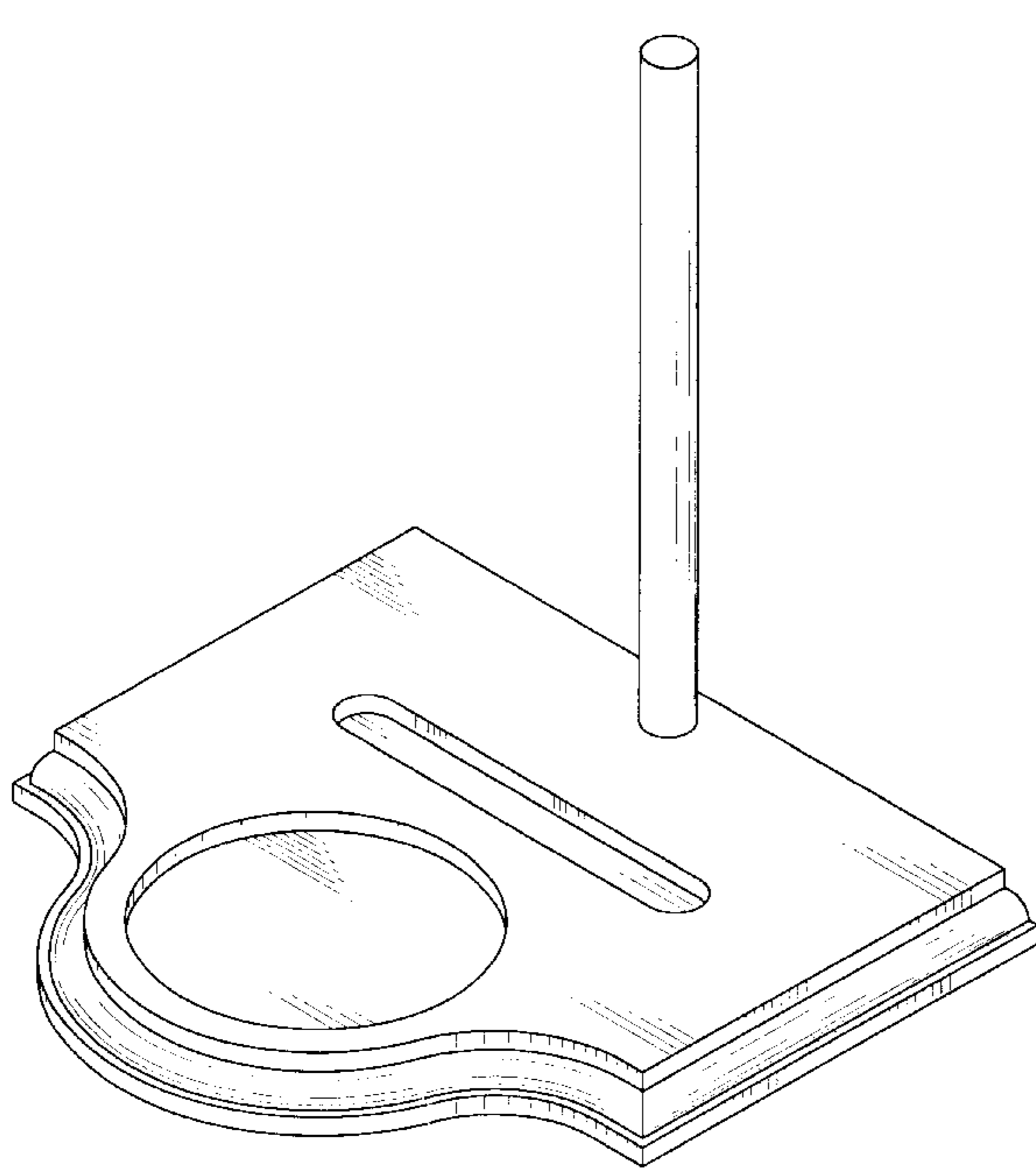
[57] **CLAIM**

The ornamental design for a base for a display stand, as shown and described.

DESCRIPTION

FIG. 1 is an isometric view showing the front, top and, side of a base for a display stand according to the new design; FIG. 2 is a top plan view of the design of FIG. 1; FIG. 3 is a bottom plan view of the design of FIG. 1; FIG. 4 is a side elevational view of the design of FIG. 1; the opposite side view being identical except in mirror image; FIG. 5 is a front elevational view of the design of FIG. 1; FIG. 6 is a rear elevational view of the design of FIG. 1; and, FIG. 7 is an isometric view showing the front, top, and side of the design of FIG. 1 on a reduced scale; the environmental association matter shown in broken lines for purposes of illustration only and forming no part of the claimed design.

1 Claim, 5 Drawing Sheets



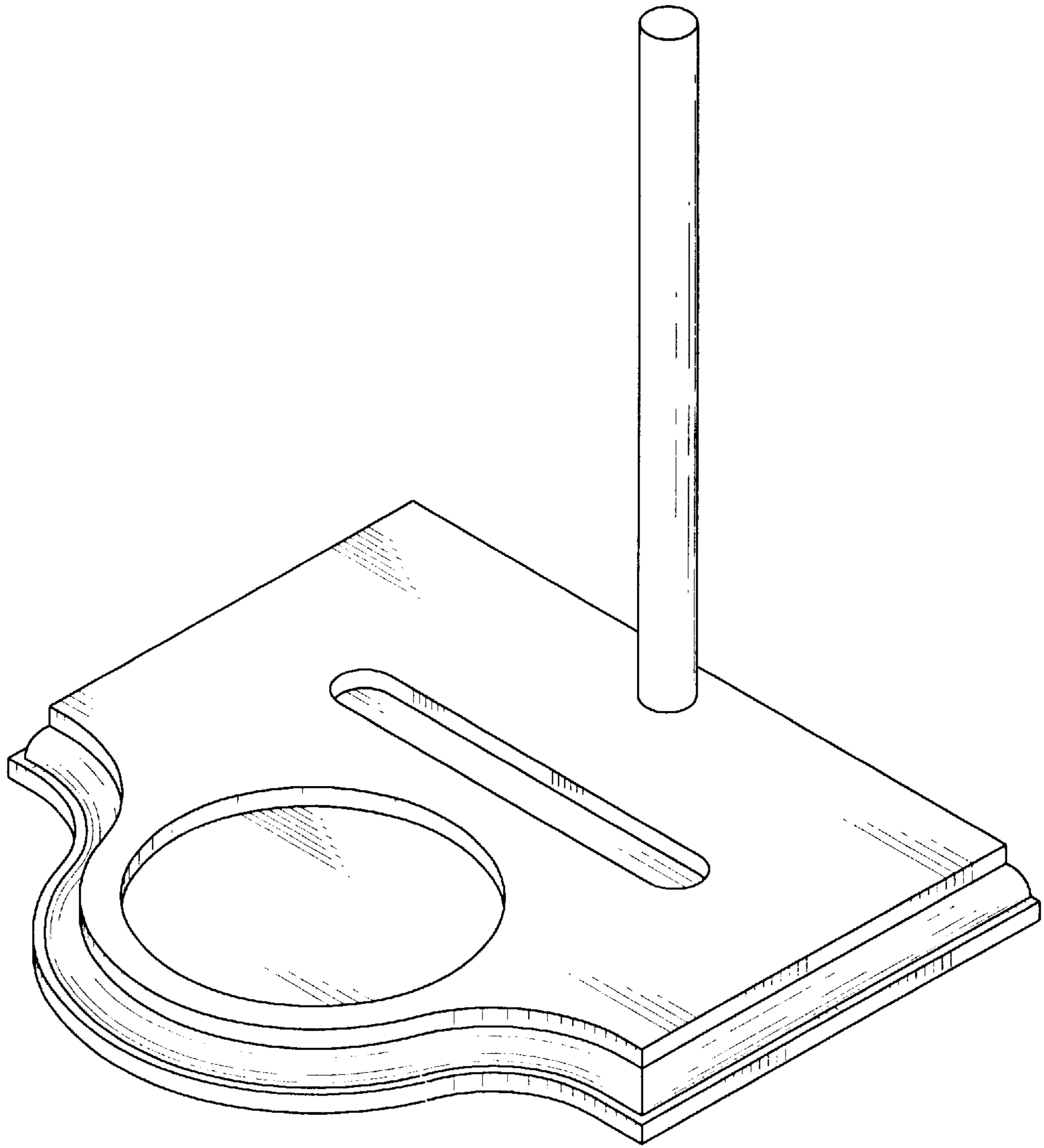


FIG. 1

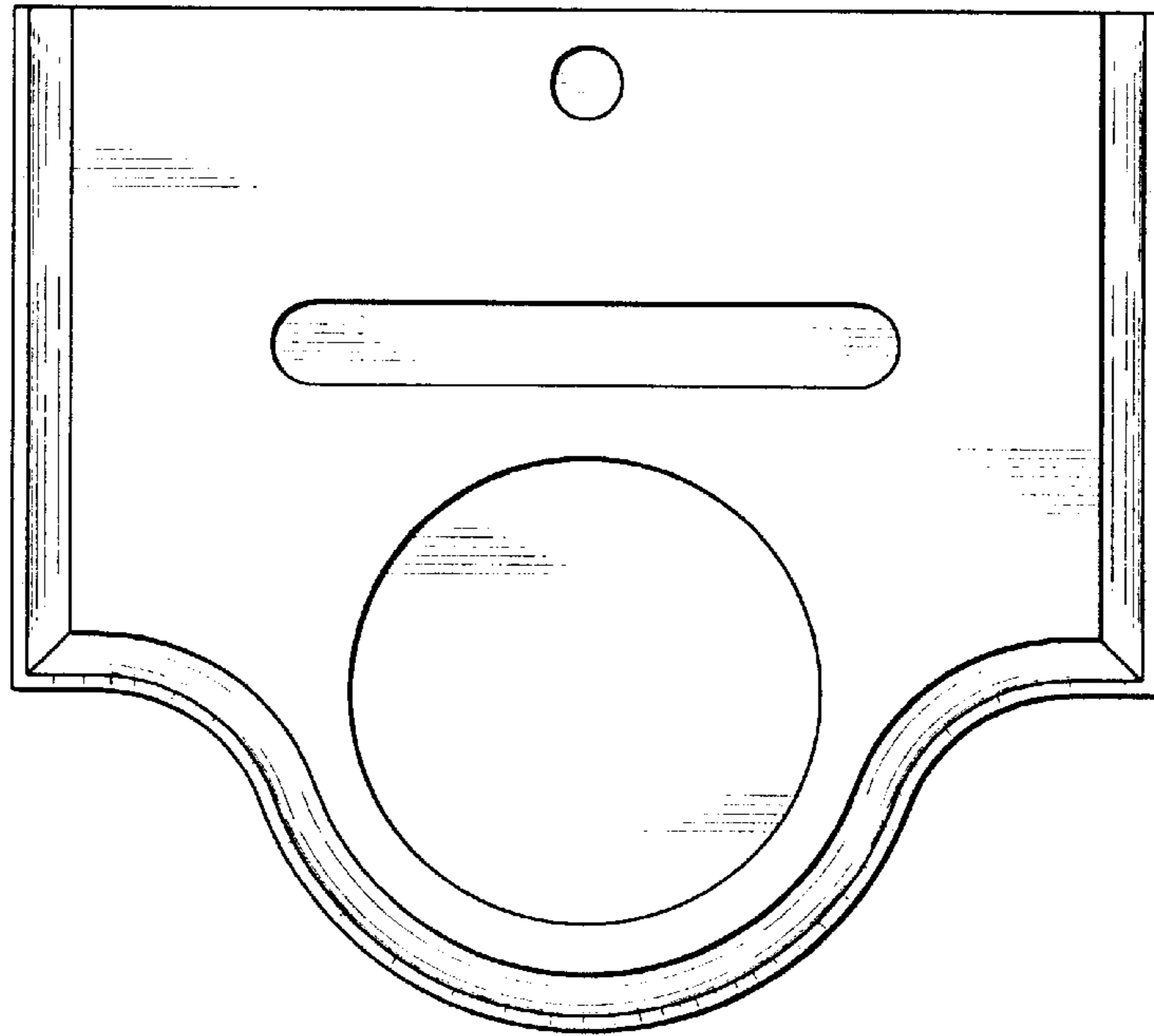


FIG. 2

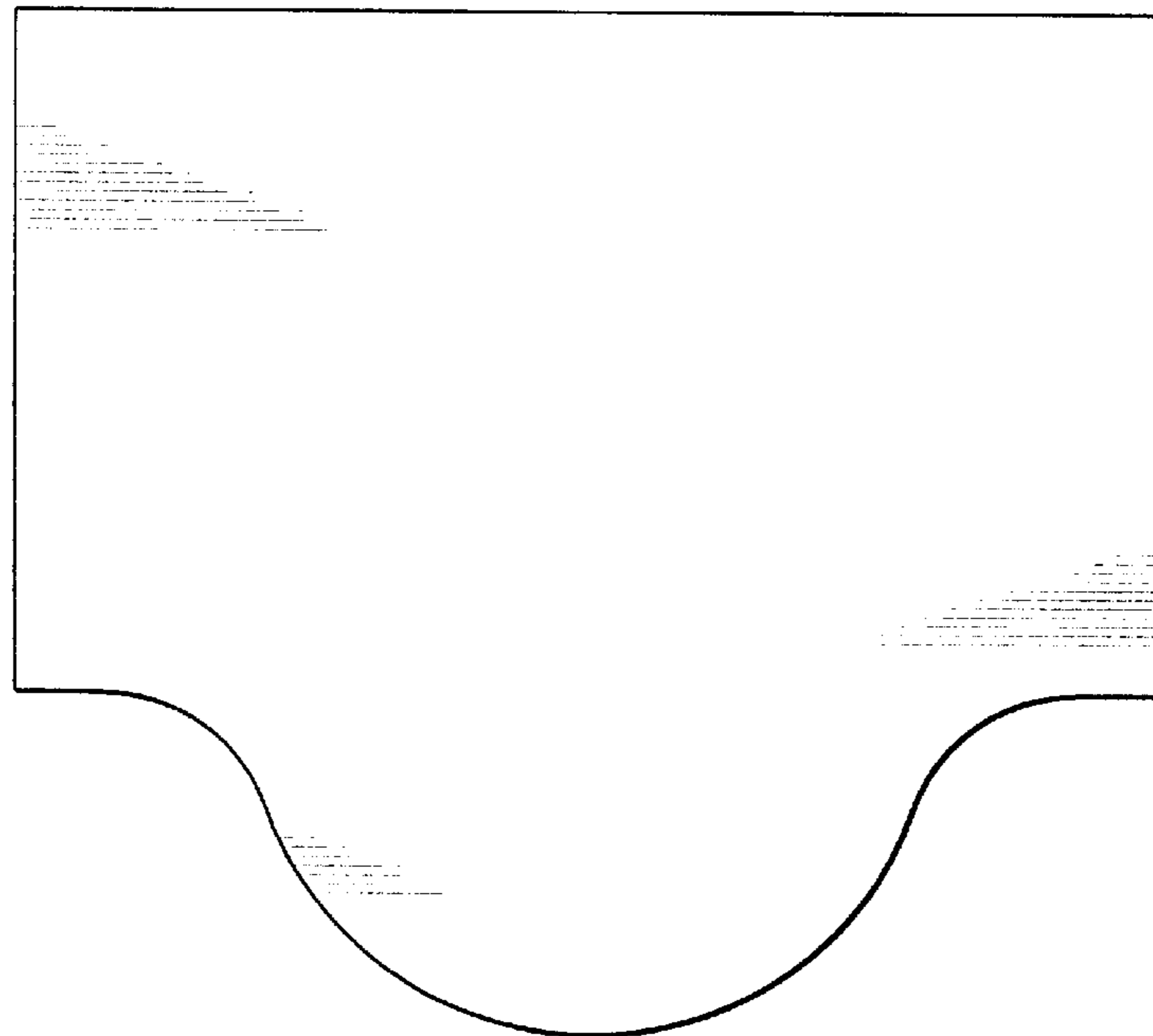


FIG. 3

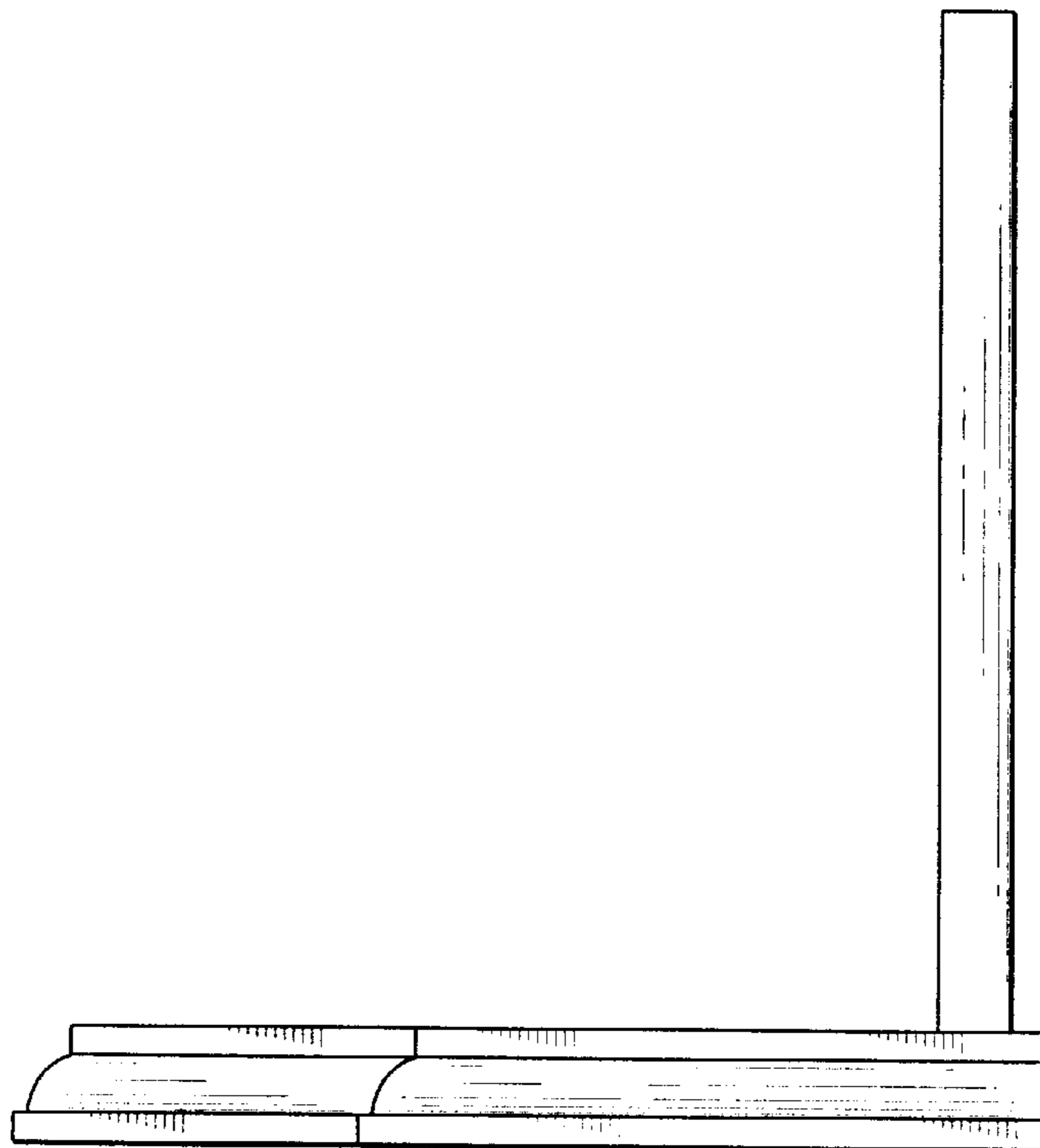


FIG. 4

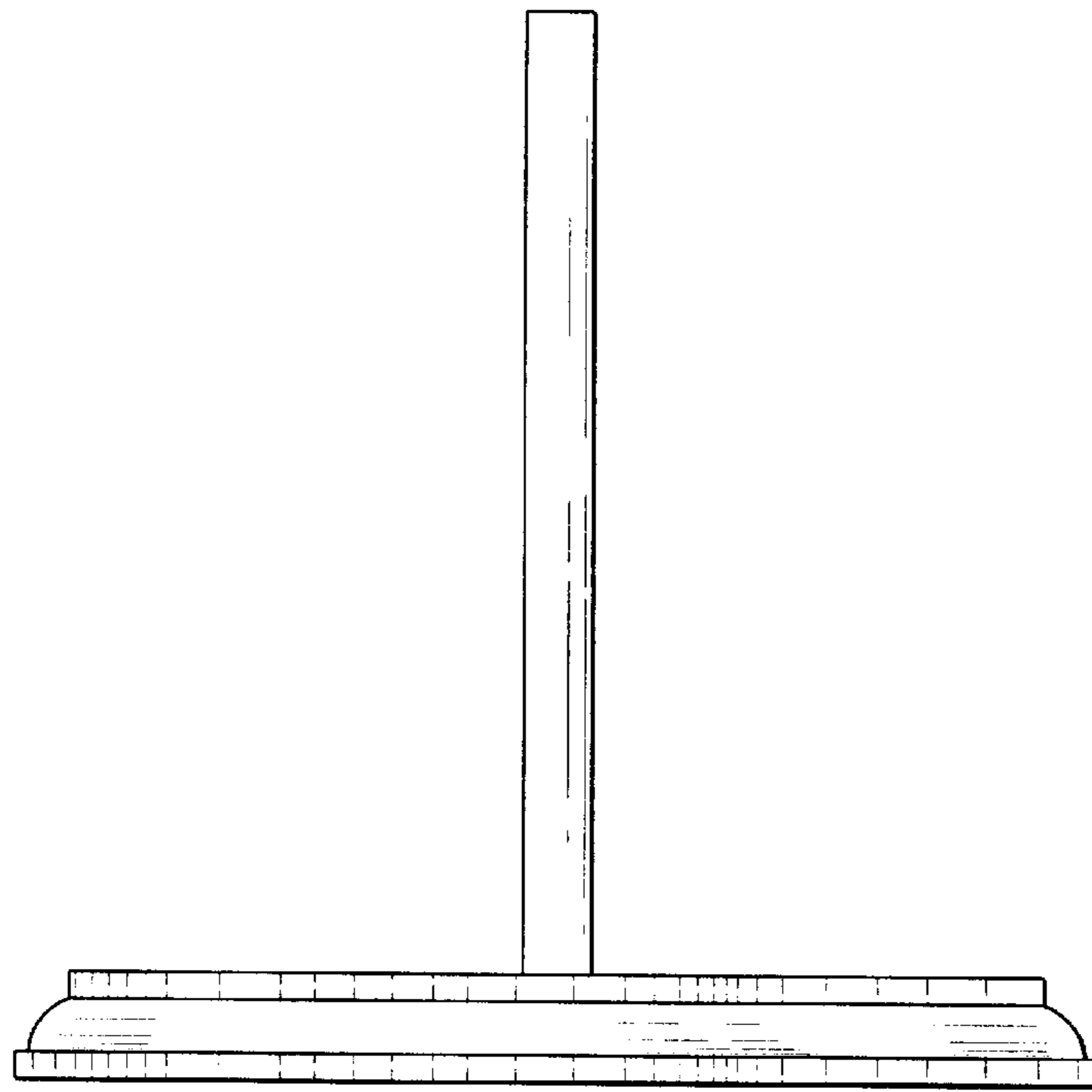


FIG. 5

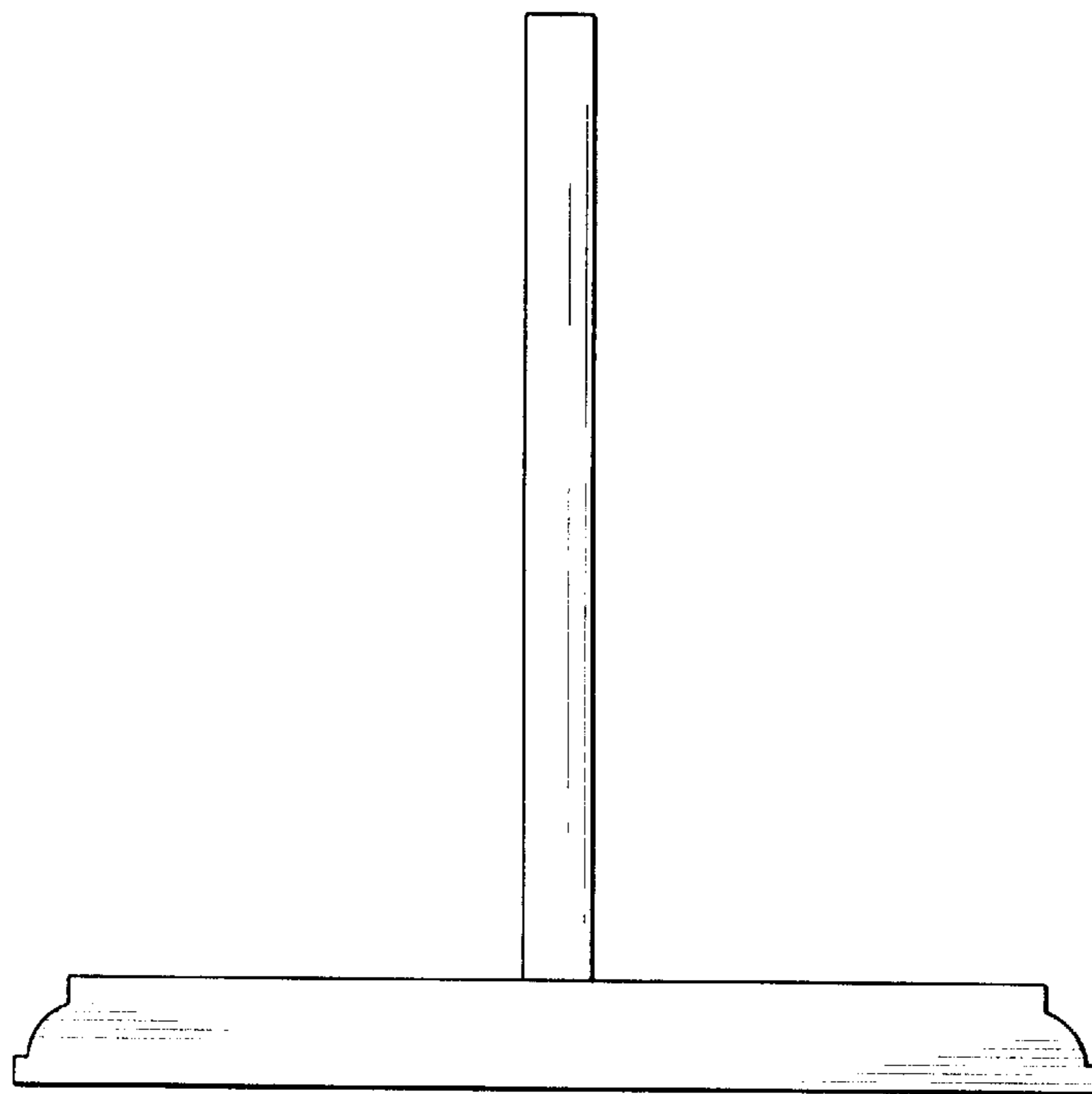


FIG. 6

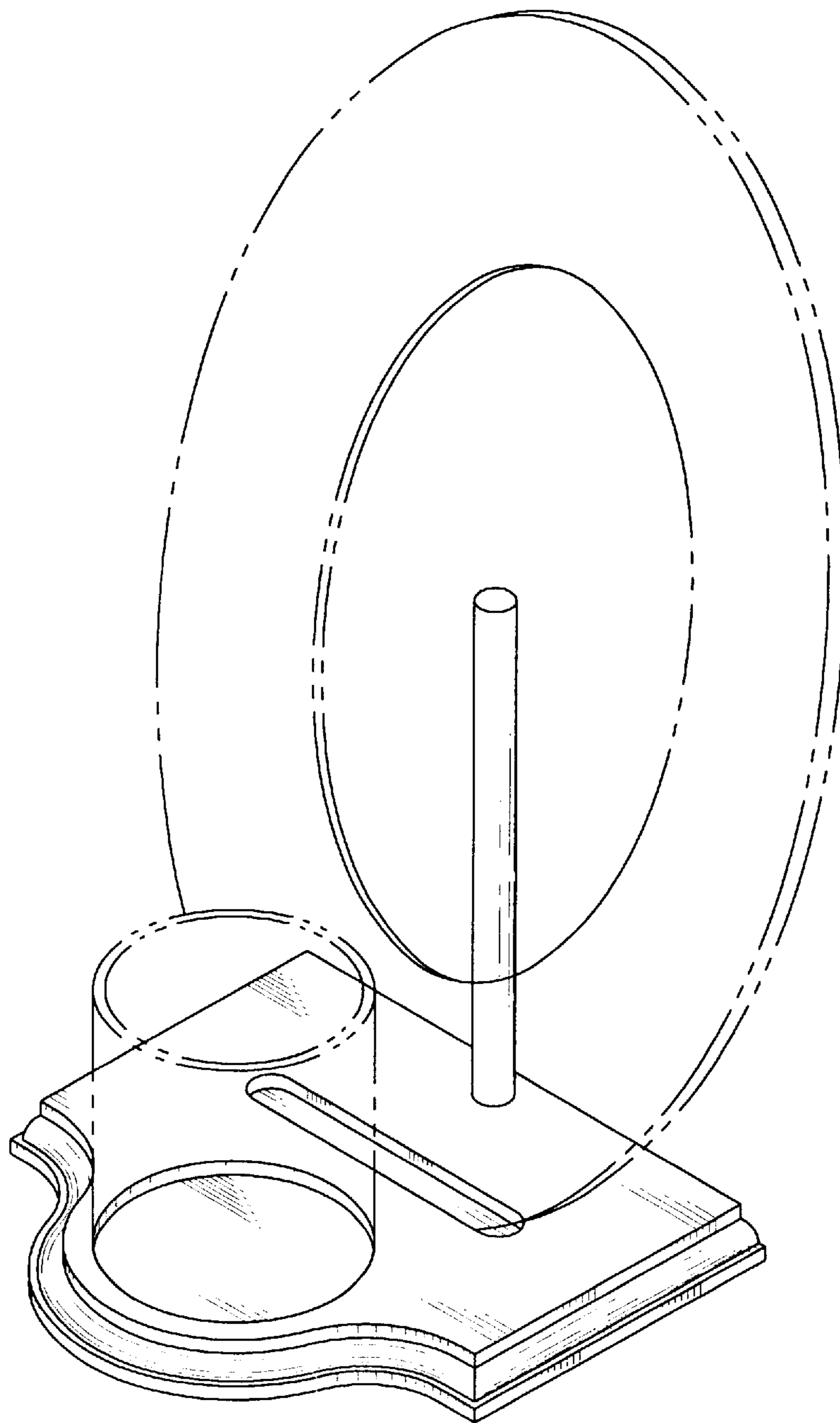


FIG. 7