



US00D400735S

United States Patent [19]
House et al.

[11] **Patent Number: Des. 400,735**
[45] **Date of Patent: **Nov. 10, 1998**

[54] **MONITOR STAND**

[75] Inventors: **Kenneth W. House; Robin R. Slaton; Jonathan P. Workman**, all of Fort Collins, Colo.

[73] Assignee: **Ultimate Support Systems, Inc.**, Fort Collins, Colo.

[**] Term: **14 Years**

[21] Appl. No.: **78,873**

[22] Filed: **Oct. 31, 1997**

[51] **LOC (6) Cl. 06-04**

[52] **U.S. Cl. D6/466; D14/224**

[58] **Field of Search** D6/466, 449, 477-479, D6/486, 487, 488, 495, 499, 418, 455; D14/224; 248/127, 146, 152, 121, 311.2, 174, 176.1, 188.1, 188.2, 188.3, 346.01, 346.05, 917; 108/59, 157.1, 157.3, 25, 150, 153.1, 154, 155, 161

[56] **References Cited**

U.S. PATENT DOCUMENTS

- D. 56,540 11/1920 Sailer D6/495
- D. 306,948 4/1990 Hodge et al. D6/464
- D. 318,672 7/1991 Derain D14/224
- D. 355,317 2/1995 Gutsell D6/495

- D. 358,048 5/1995 Schoenig et al. D6/466
- D. 360,887 8/1995 Karnaze D14/224
- D. 383,621 9/1997 Corpuz, Jr. D6/418
- 3,307,814 3/1967 Bogar, Jr. 248/188.5
- 4,770,380 9/1988 Eason et al. .
- 5,362,019 11/1994 Swanson 248/146

OTHER PUBLICATIONS

Standesign (UK) Limited catalog, models Z10, Z14, Z16, Z20, Z24, Z28 5/6 Blackbrook Business Park, Blackbrook Rd, Fareham, Hampshire P015 5DR, U.K. undated.

Primary Examiner—James Gandy
Assistant Examiner—Linda Brooks

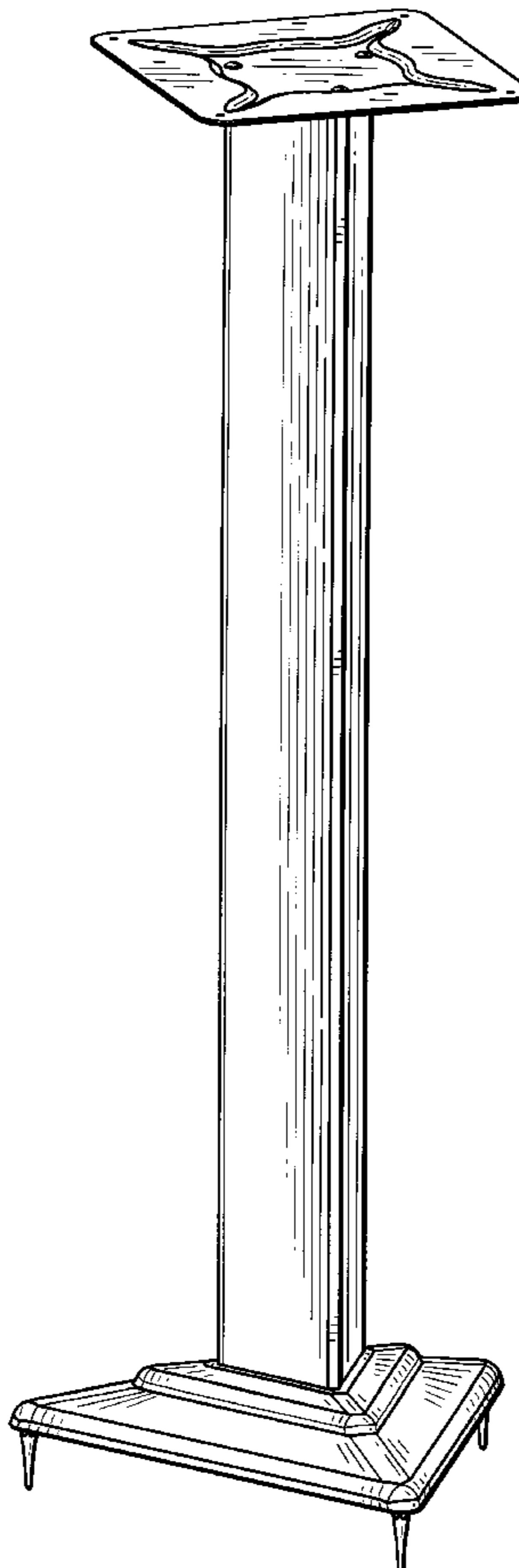
[57] **CLAIM**

The ornamental design for a monitor stand, as shown and described.

DESCRIPTION

FIG. 1 is a front perspective view of the monitor stand showing our new design;
FIG. 2 is a front elevational view of the monitor stand;
FIG. 3 is a back elevational view of the monitor stand;
FIG. 4 is a side elevational view of the monitor stand, the opposite side elevational view being a mirror image thereof; and,
FIG. 5 is a top plan view thereof.

1 Claim, 3 Drawing Sheets



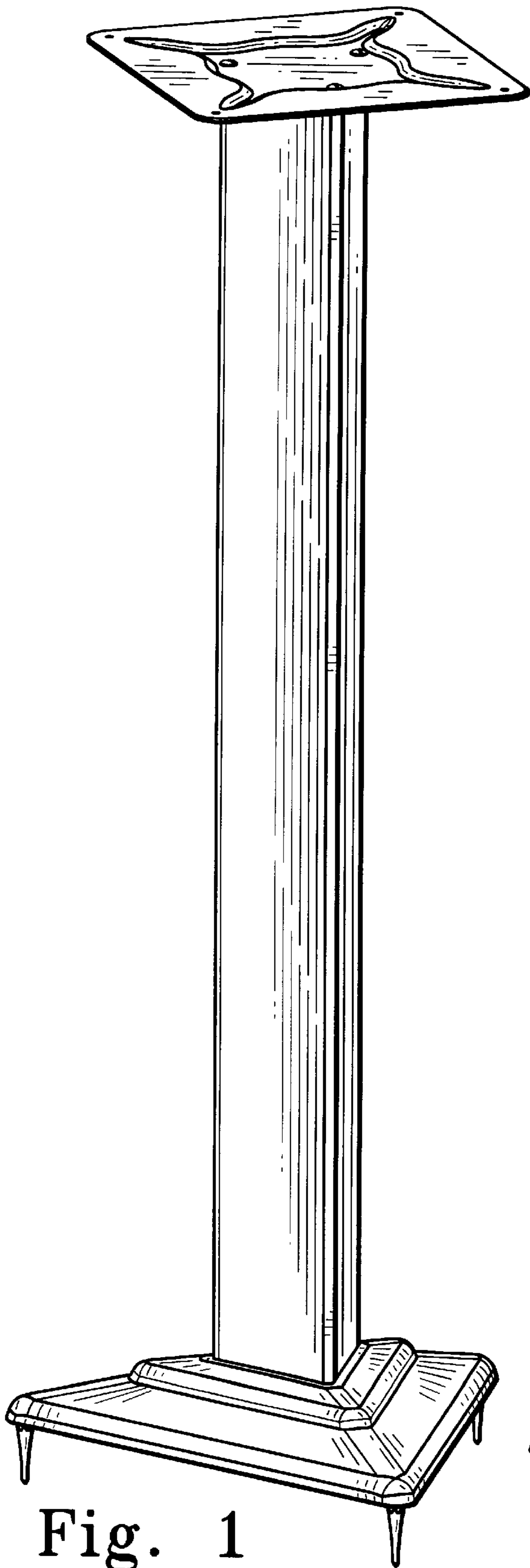


Fig. 1

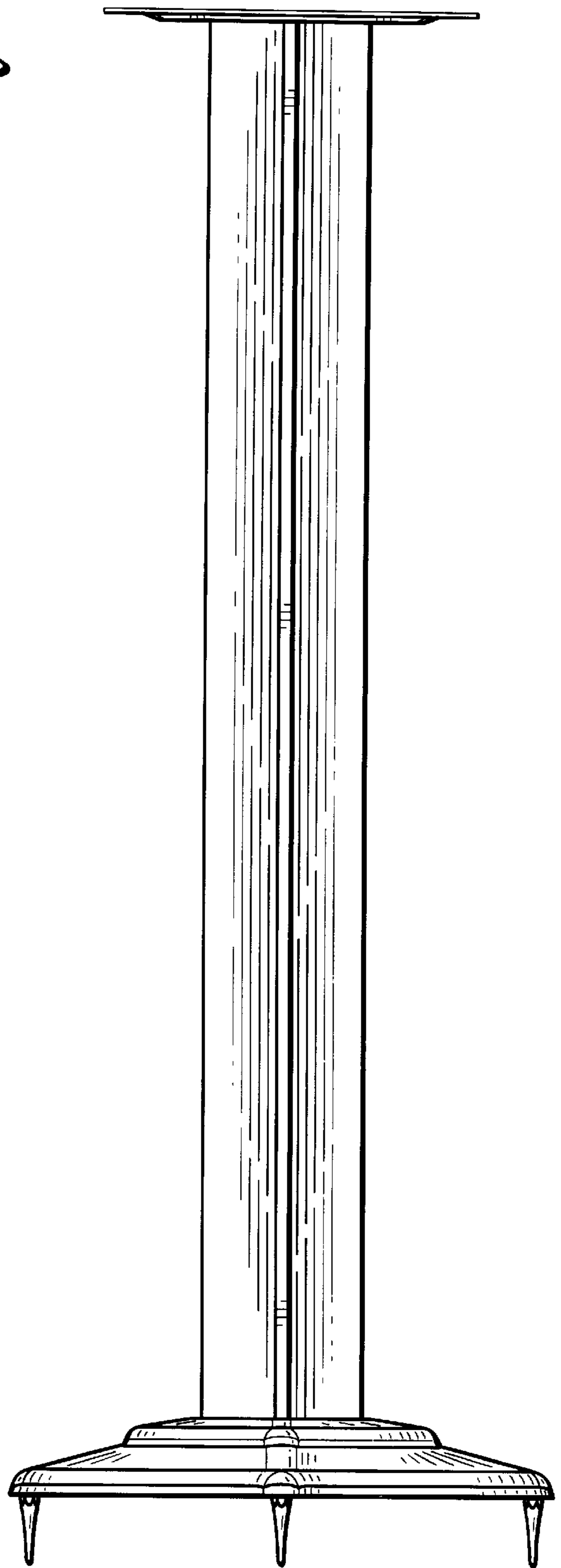


Fig. 2

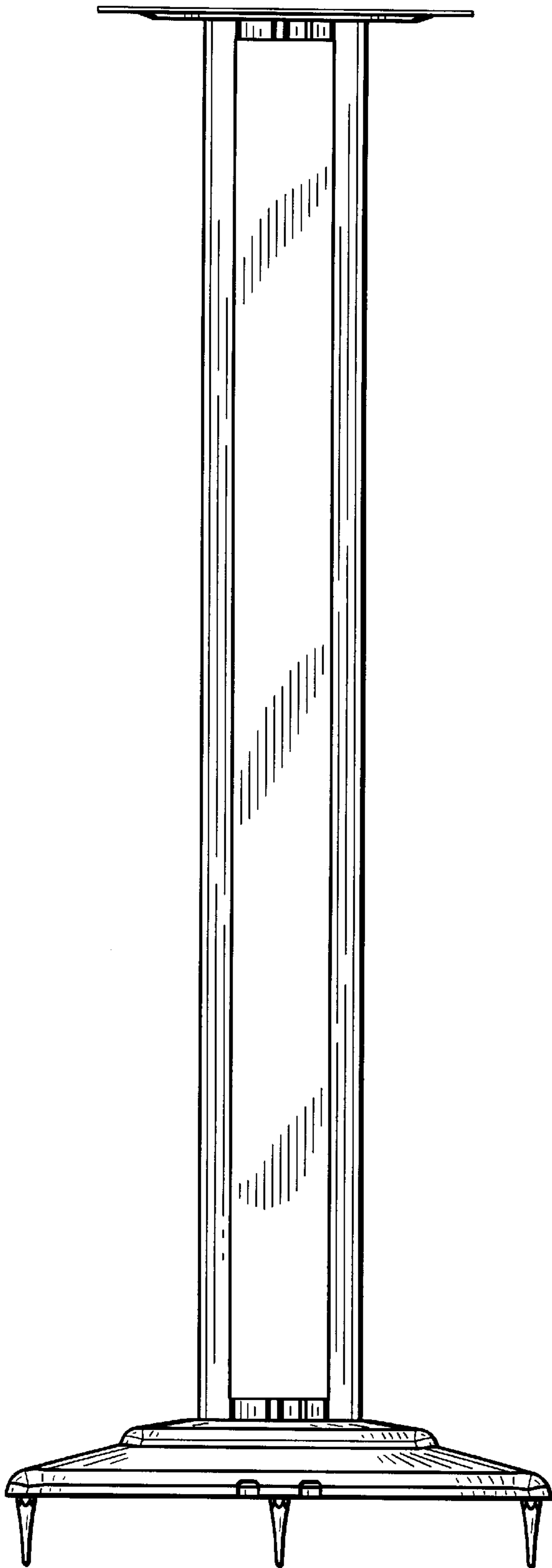


Fig. 3

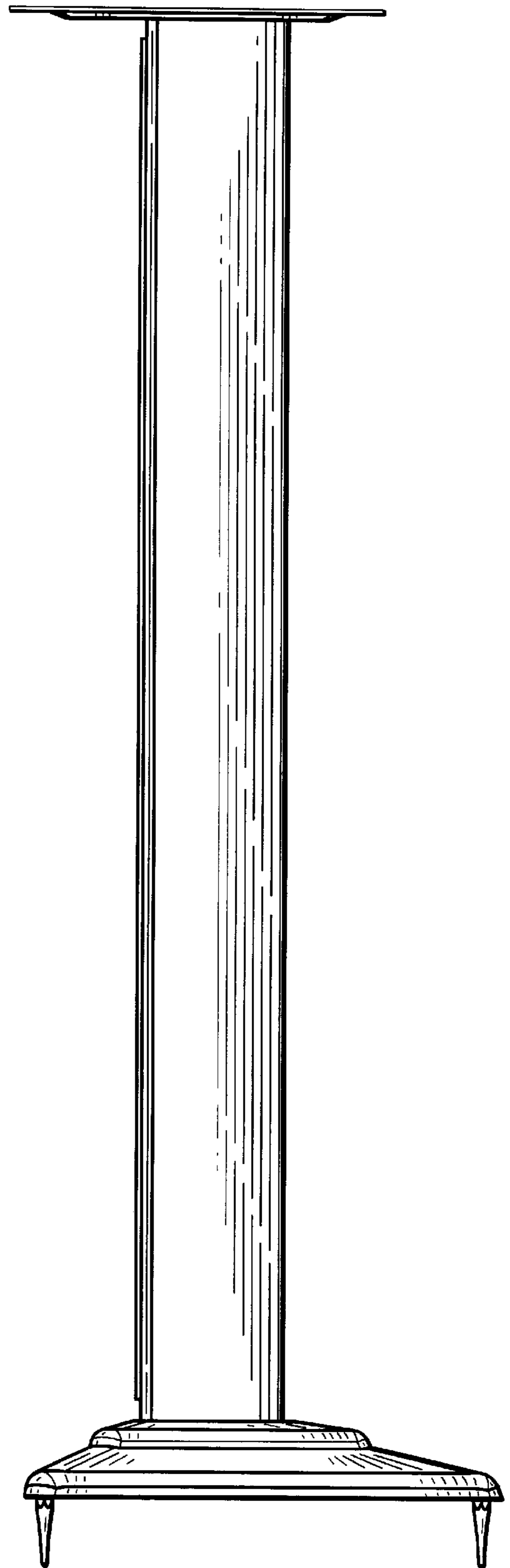


Fig. 4

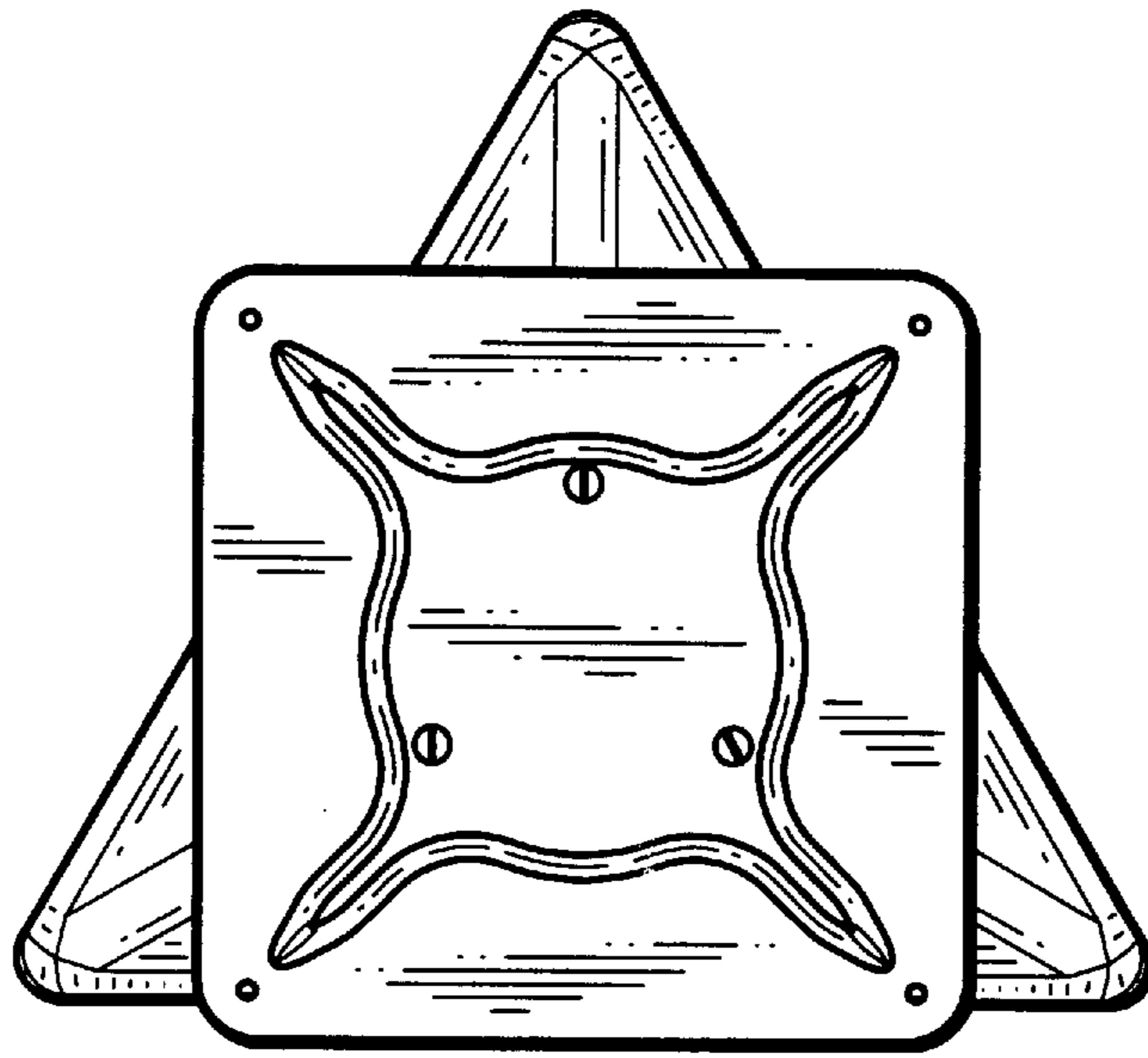


Fig. 5