



US00D400731S

United States Patent [19]
Kasuli

[11] **Patent Number: Des. 400,731**

[45] **Date of Patent: **Nov. 10, 1998**

[54] **FREE-STANDING HUMIDOR**

[75] Inventor: **Richard A. Kasuli**, Ridgefield, Conn.

[73] Assignee: **Humicon Corporation**, Merrick, N.Y.

[**] Term: **14 Years**

[21] Appl. No.: **59,504**

[22] Filed: **Sep. 12, 1996**

[51] **LOC (6) Cl.** **06-04**

[52] **U.S. Cl.** **D6/437; D27/191; D27/189**

[58] **Field of Search** D27/186, 187,
D27/189, 190, 191, 193, 194, 110; D6/437,
460, 474, 473, 470, 436, 438; 312/31, 31.1,
31.2, 31.3, 31.01, 31.03

[56] **References Cited**

U.S. PATENT DOCUMENTS

D. 111,503 9/1938 Beeber D6/436

D. 296,633 7/1988 De Prins D6/470
D. 367,570 3/1996 Walters, III et al. D6/436
D. 372,138 7/1996 Pasquale et al. D6/437

Primary Examiner—Susan J. Lucas
Assistant Examiner—Jennifer Register
Attorney, Agent, or Firm—St. Onge Steward Johnston & Reens LLC

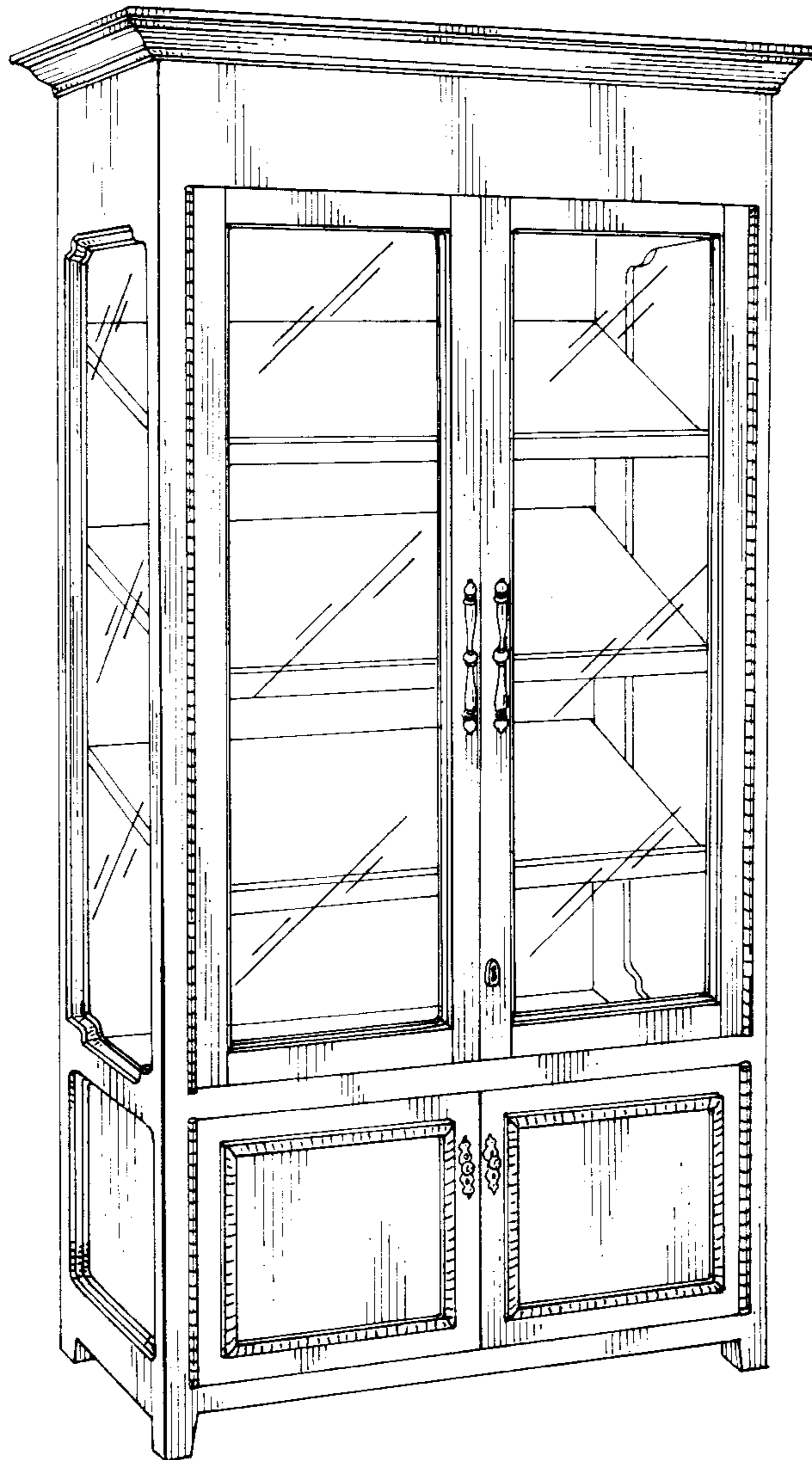
[57] **CLAIM**

The ornamental design for a free standing humidor, as shown and described.

DESCRIPTION

FIG. 1 is a front perspective view of a humidor, showing my new design;
FIG. 2 is a front elevation view;
FIG. 3 is a side elevation view;
FIG. 4 is a rear elevation view; and,
FIG. 5 is a top plan view.

1 Claim, 5 Drawing Sheets



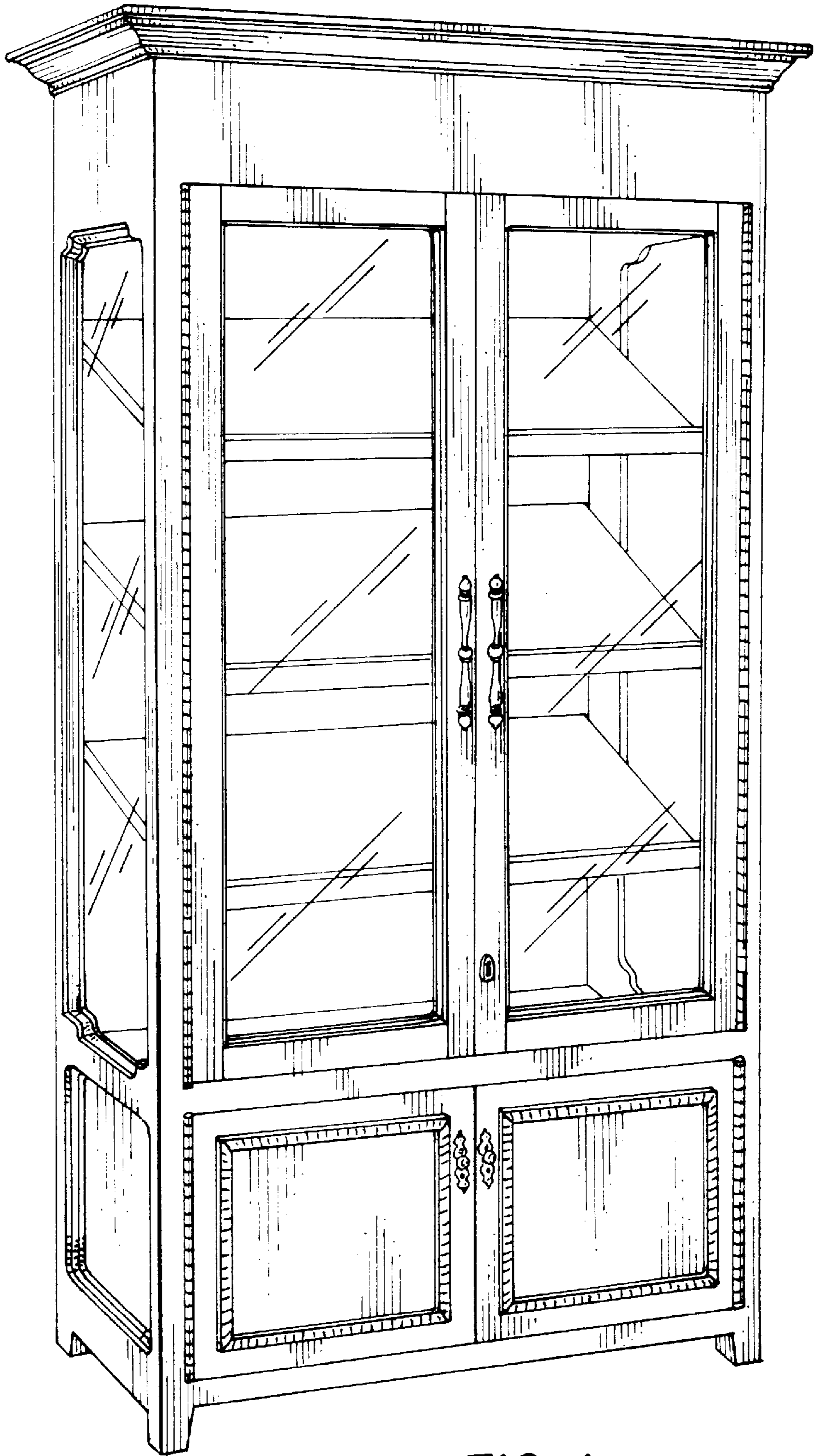


FIG. 1

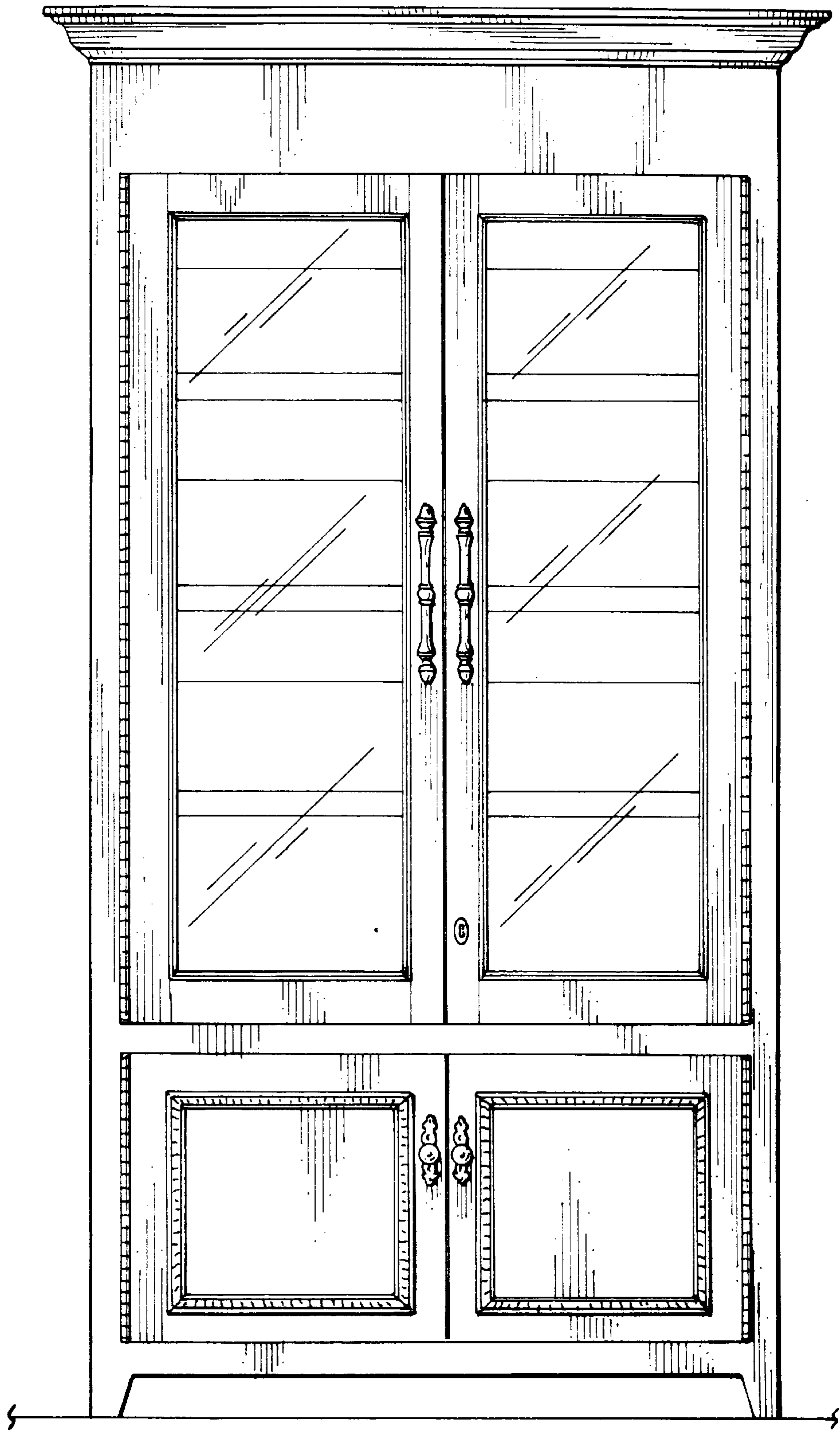


FIG. 2

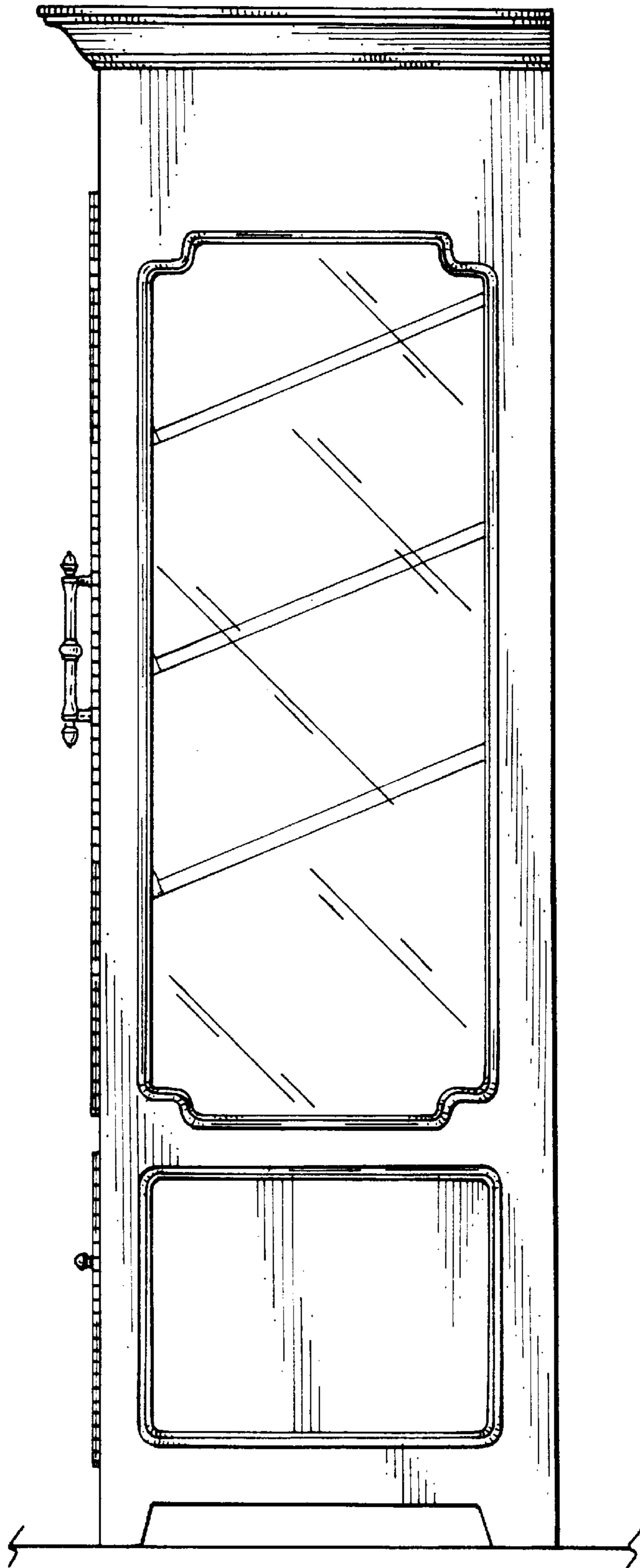


FIG. 3

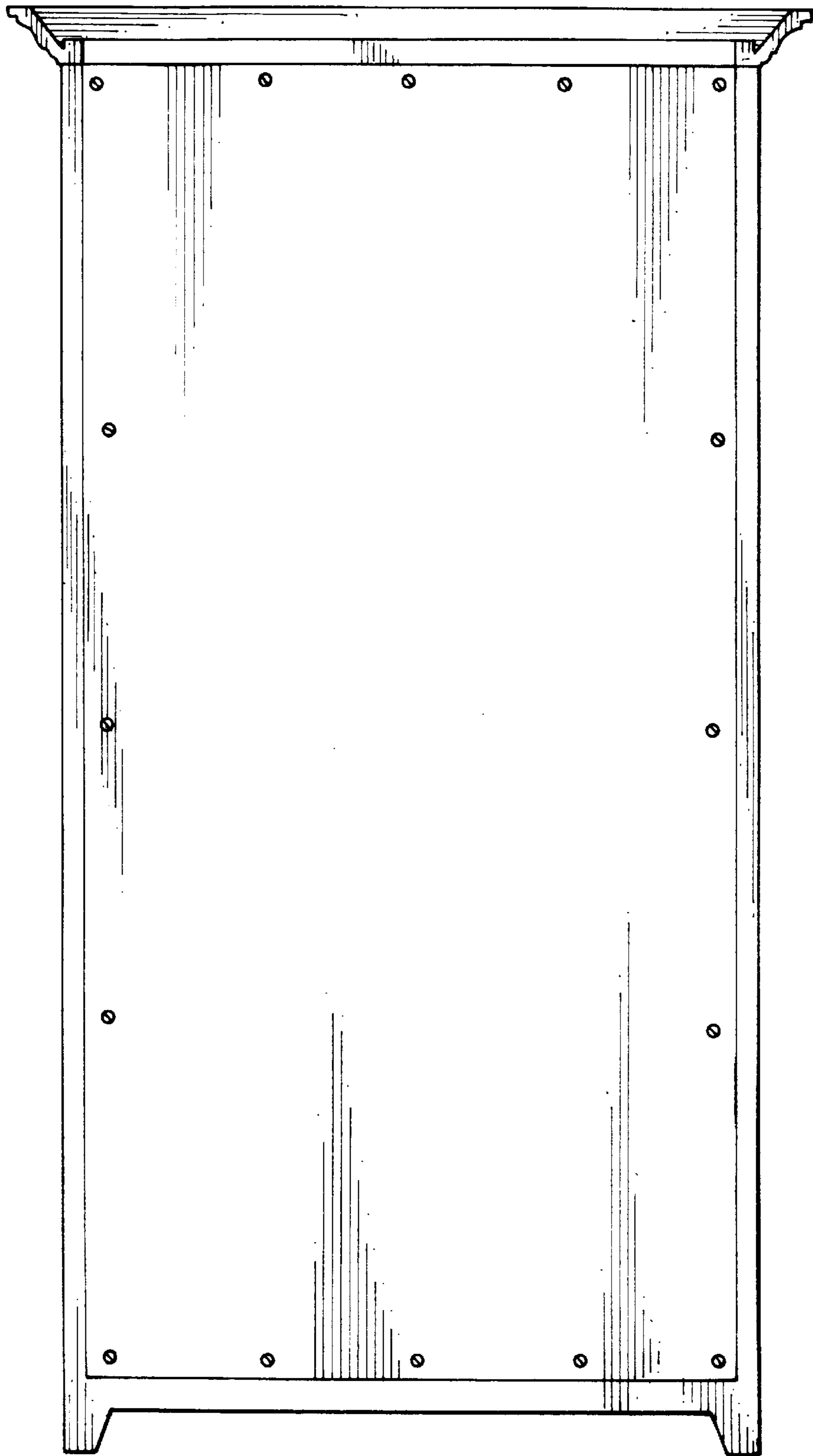


FIG. 4

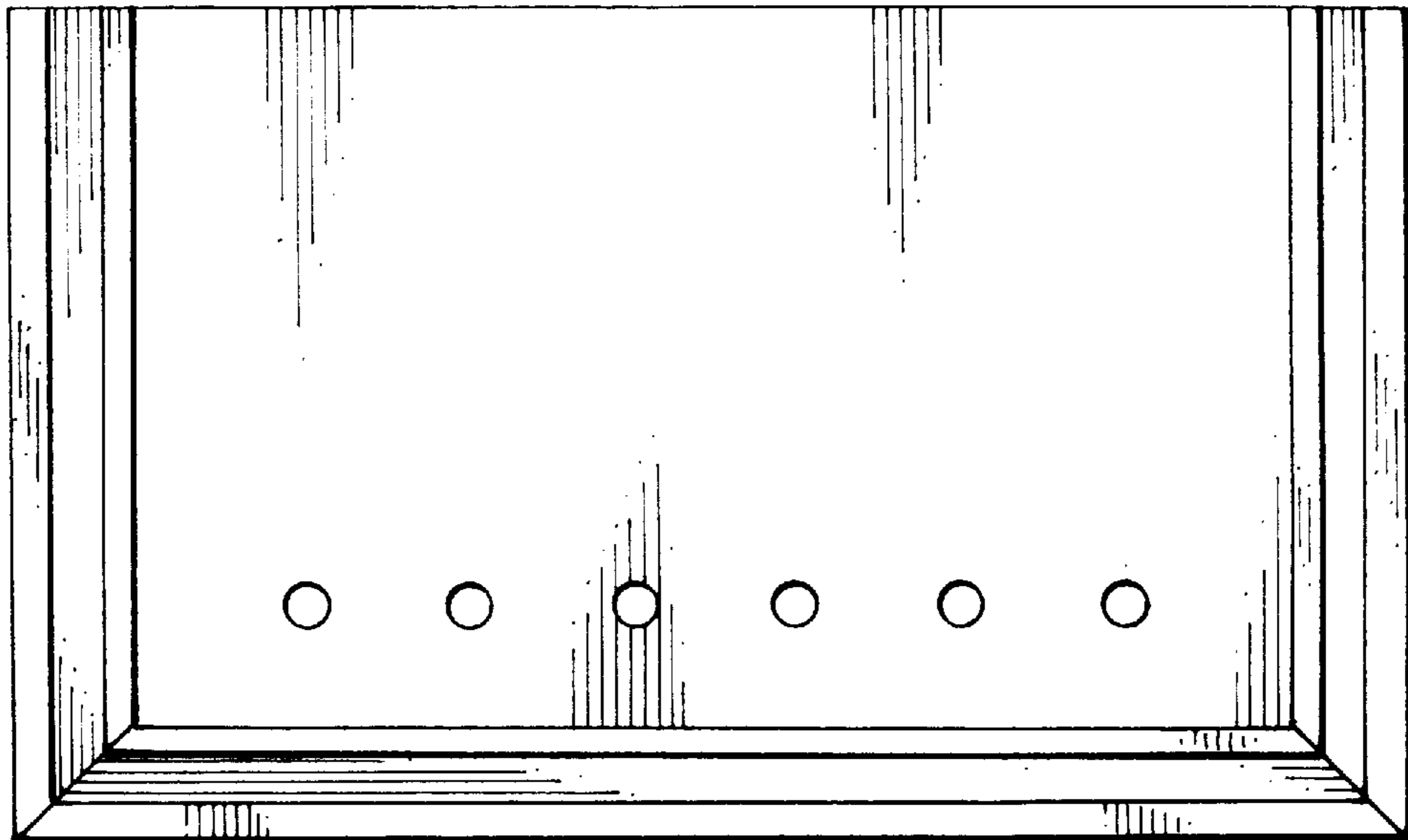


FIG. 5