



US00D400730S

United States Patent [19] Brandenberg

[11] Patent Number: **Des. 400,730**

[45] Date of Patent: ****Nov. 10, 1998**

[54] MODULAR DESK

[76] Inventor: **Carl Brook Brandenburg**, FM 3450,
Box 188, Cresson, Tex. 76035

[**] Term: **14 Years**

[21] Appl. No.: **77,652**

[22] Filed: **Oct. 8, 1997**

[51] LOC (6) Cl. **06-03**

[52] U.S. Cl. **D6/426**

[58] Field of Search D6/422, 425-431,
D6/474, 477-479, 480, 484, 487; D14/102-104;
108/1, 59, 60, 91-93, 149, 152, 106; 312/194-196,
223.2, 223.3, 238; 248/188.4, 188.1, 188.2

[56] **References Cited**

U.S. PATENT DOCUMENTS

- D. 266,467 10/1982 Ylanko D6/431
- D. 273,449 4/1984 Wiczorek D6/426
- D. 353,279 12/1994 Funk D6/426

- D. 372,811 8/1996 Muller-Deisig et al. D6/426 X
- 4,561,619 12/1985 Robillard et al. D6/426
- 5,681,017 10/1997 Clausen 108/146

Primary Examiner—James Gandy
Assistant Examiner—Linda Brooks
Attorney, Agent, or Firm—Melvin A. Hunn

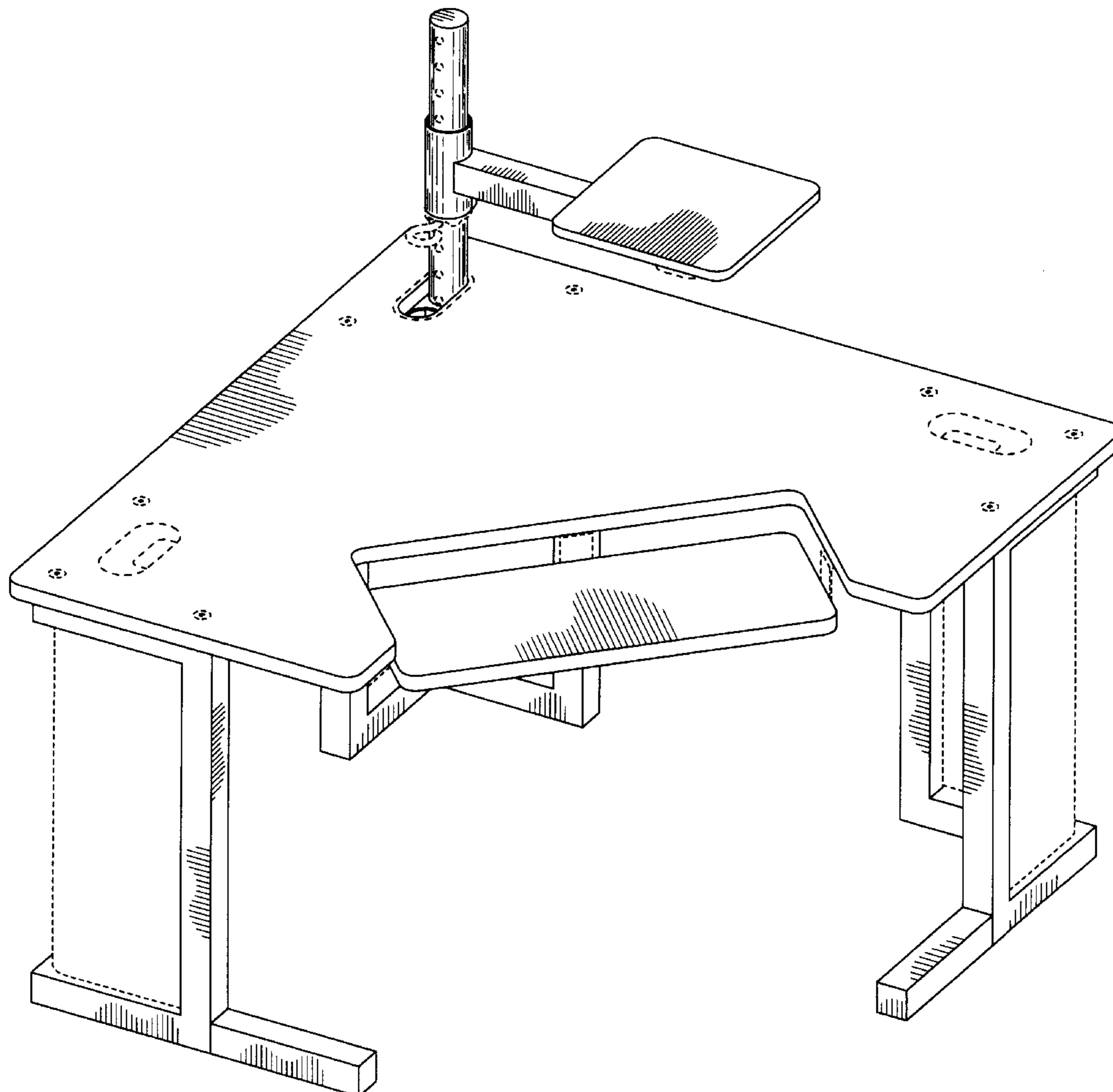
[57] **CLAIM**

The ornamental design for a modular desk, as shown and described.

DESCRIPTION

FIG. 1 is a perspective view from the front of the present invention;
FIG. 2 is a perspective view from the rear of the present invention; and,
FIG. 3 is a top view of the present invention.
The broken line structure shown in FIGS. 1, 2, and 3 is for illustrative purposes only and forms no part of the claimed design.

1 Claim, 3 Drawing Sheets



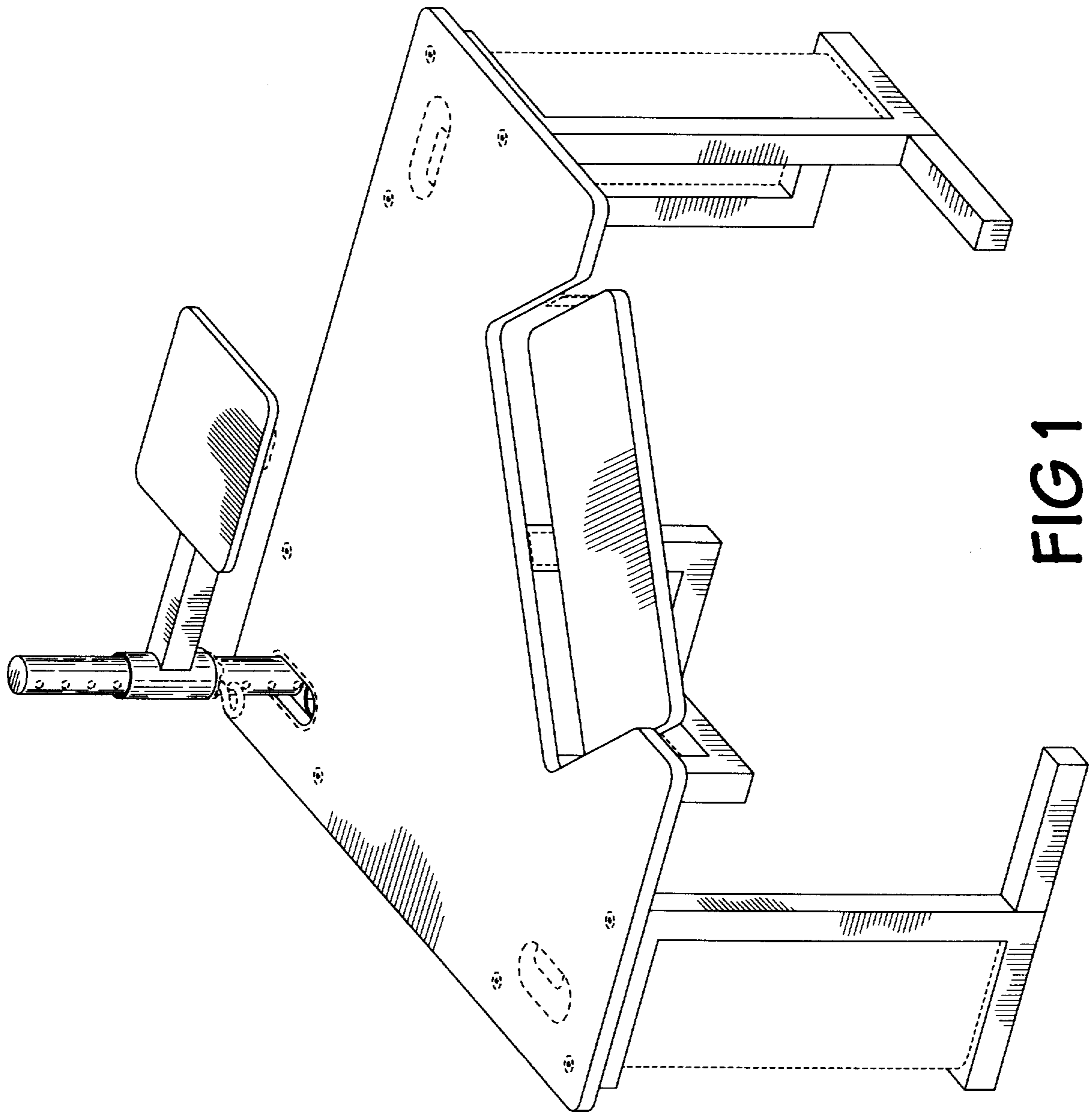


FIG 1

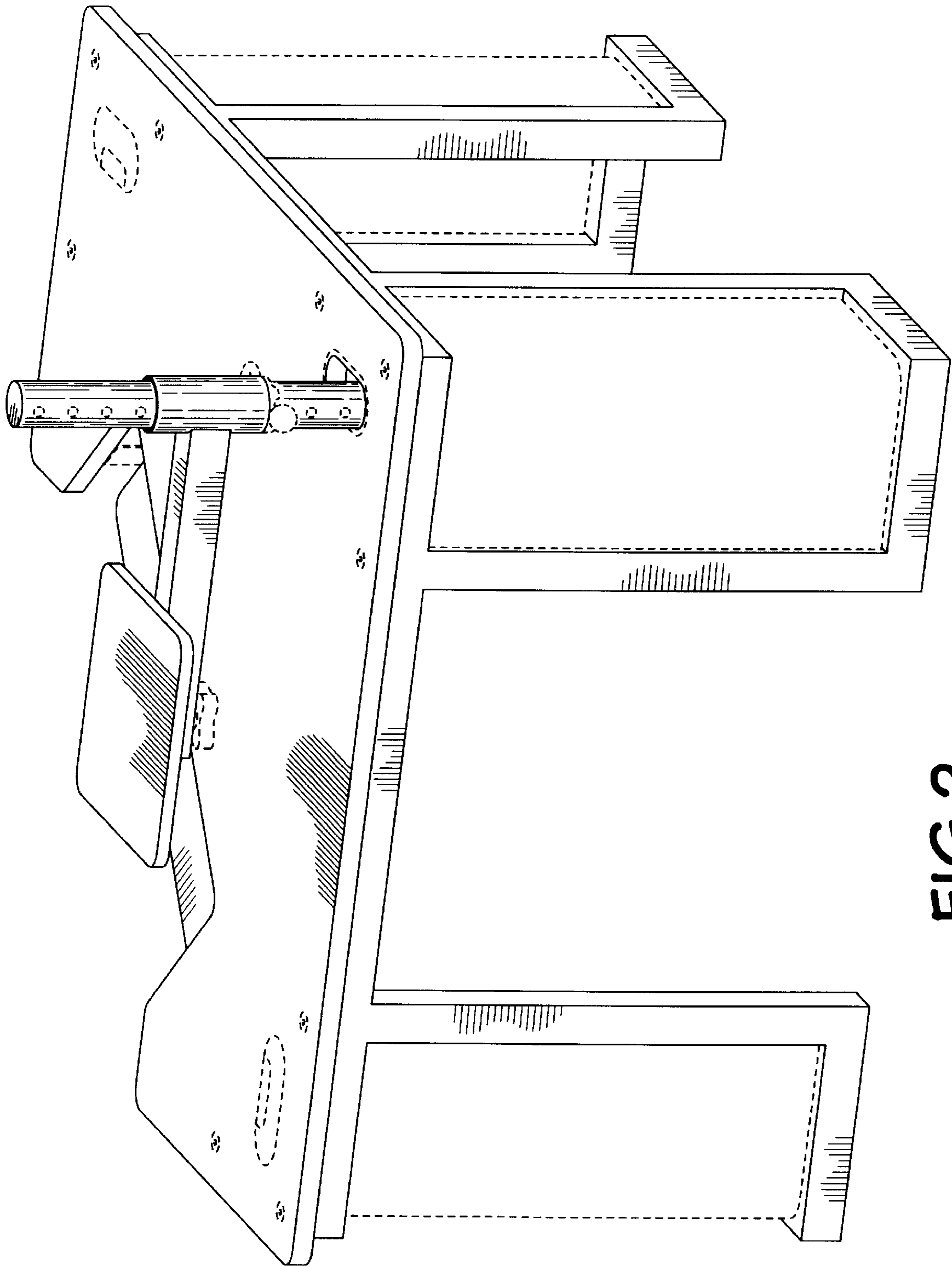


FIG 2

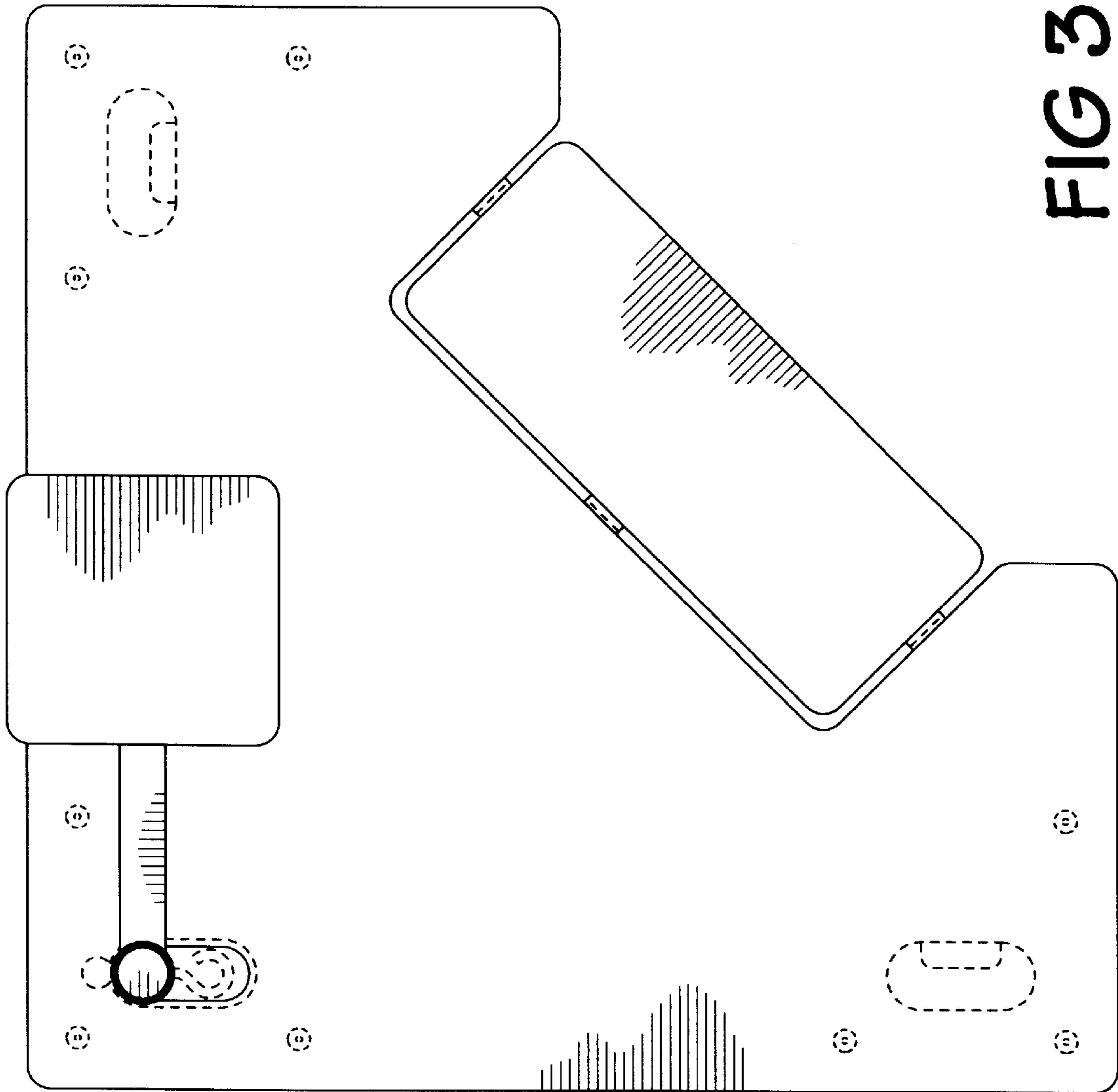


FIG 3