

US00D400724S

**United States Patent** [19]  
**Richter**

[11] **Patent Number: Des. 400,724**

[45] **Date of Patent: \*\*Nov. 10, 1998**

[54] **FOLDING CHAIR**

[76] Inventor: **Herbert Richter**, Drosselweg 8, 75331 Engelbrand, Germany

[\*\*] Term: **14 Years**

[21] Appl. No.: **78,760**

[22] Filed: **Nov. 3, 1997**

[51] **LOC (6) Cl.** ..... **06-01**

[52] **U.S. Cl.** ..... **D6/368; D6/335; D6/363**

[58] **Field of Search** ..... D6/334, 335, 336, D6/354, 363, 368, 500, 501, 502; 135/66, 74; 248/164, 431, 432; 297/16.1, 16.2, 57, 118, 129, 195.11

[56] **References Cited**

**U.S. PATENT DOCUMENTS**

D. 251,098	2/1979	Diedrich et al.	.....	D6/354
D. 284,429	7/1986	Garde	.....	D6/368
D. 338,345	8/1993	Camp	.....	D6/363
2,002,118	8/1935	Johnson	.....	297/57
2,542,040	2/1951	Machellan	.....	D6/368 X
2,649,140	8/1953	Housel	.....	D6/368 X
3,310,340	3/1967	Brewer et al.	.....	297/16.1

*Primary Examiner*—Gary D. Watson  
*Attorney, Agent, or Firm*—Klaus J. Bach

[57] **CLAIM**

The ornamental design for a folding chair, as shown and described.

**DESCRIPTION**

FIG. 1 is a perspective view of the folding chair having a

handle with a flat instrument incorporated therein;

FIG. 2 is a front view of the folding chair shown in FIG. 1;

FIG. 3 is a rear view of the folding chair shown in FIG. 1;

FIG. 4 is a side view of the folding chair as seen from the right side of FIG. 2;

FIG. 5 is a side view of the folding chair as seen from the left side of FIG. 2;

FIG. 6 is a top view of the folding chair shown in FIG. 2; and

FIG. 7 is a bottom view of the folding chair shown in FIG. 2;

FIG. 8 is a perspective view of a second embodiment of the folding chair having a handle with a spherically protruding instrument incorporated therein;

FIG. 9 is a front view of the folding chair shown in FIG. 8;

FIG. 10 is a rear view of the folding chair shown in FIG. 8;

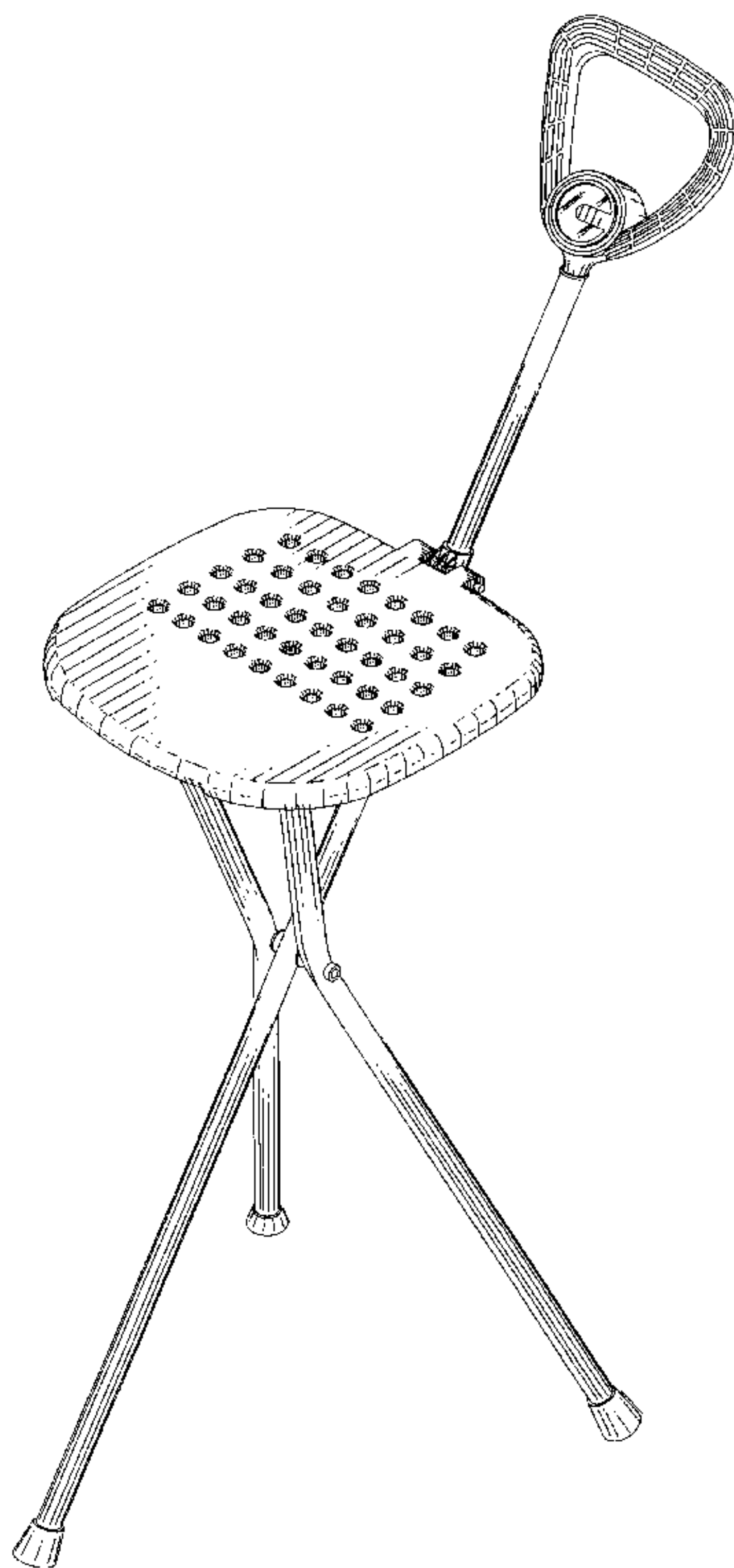
FIG. 11 is a side view of the folding chair as seen from the right side of FIG. 9;

FIG. 12 is a side view of the folding chair as seen from the left side of FIG. 9;

FIG. 13 is a top view of the folding chair shown in FIG. 9; and,

FIG. 14 is a bottom view of the folding chair shown in FIG. 9.

**1 Claim, 12 Drawing Sheets**



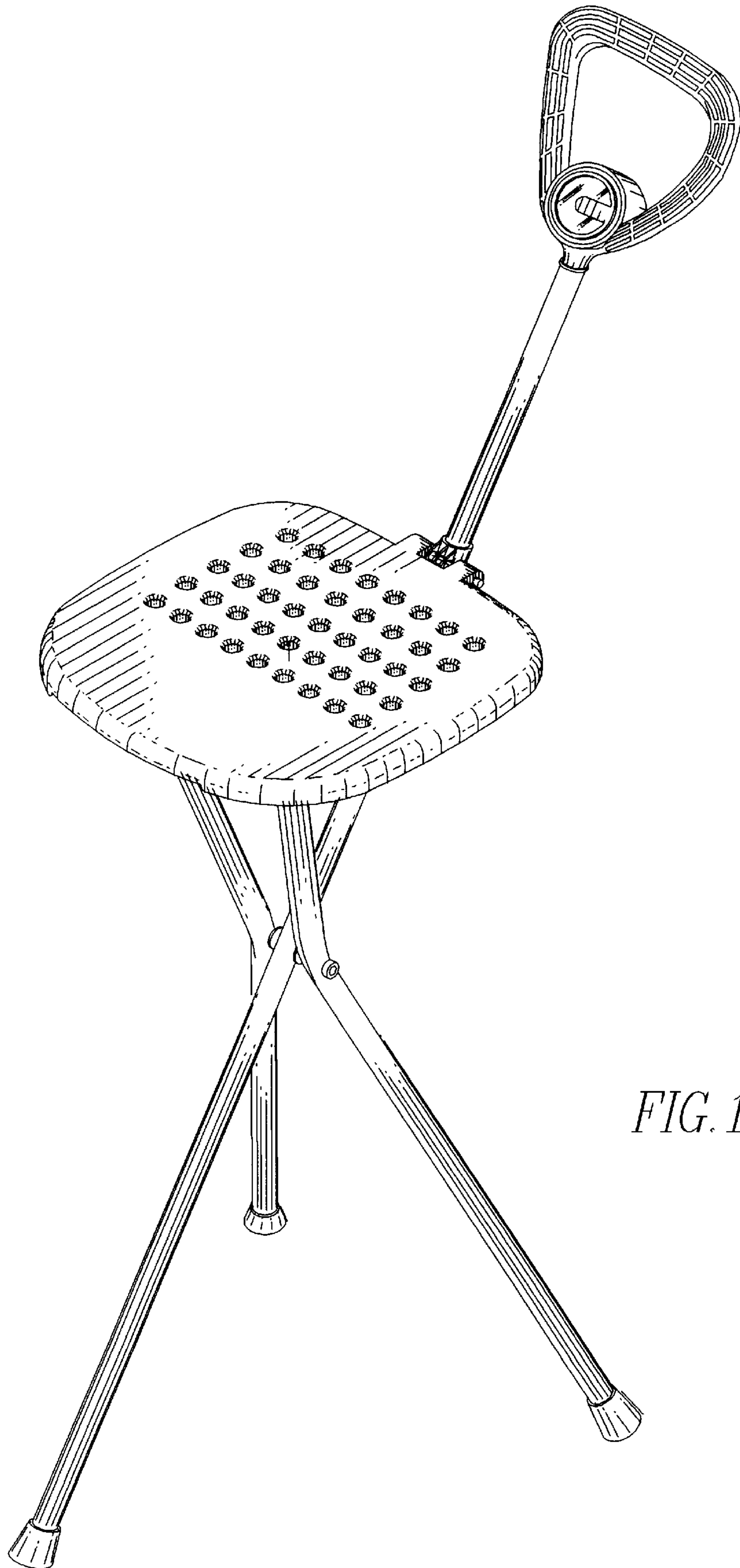


FIG. 1

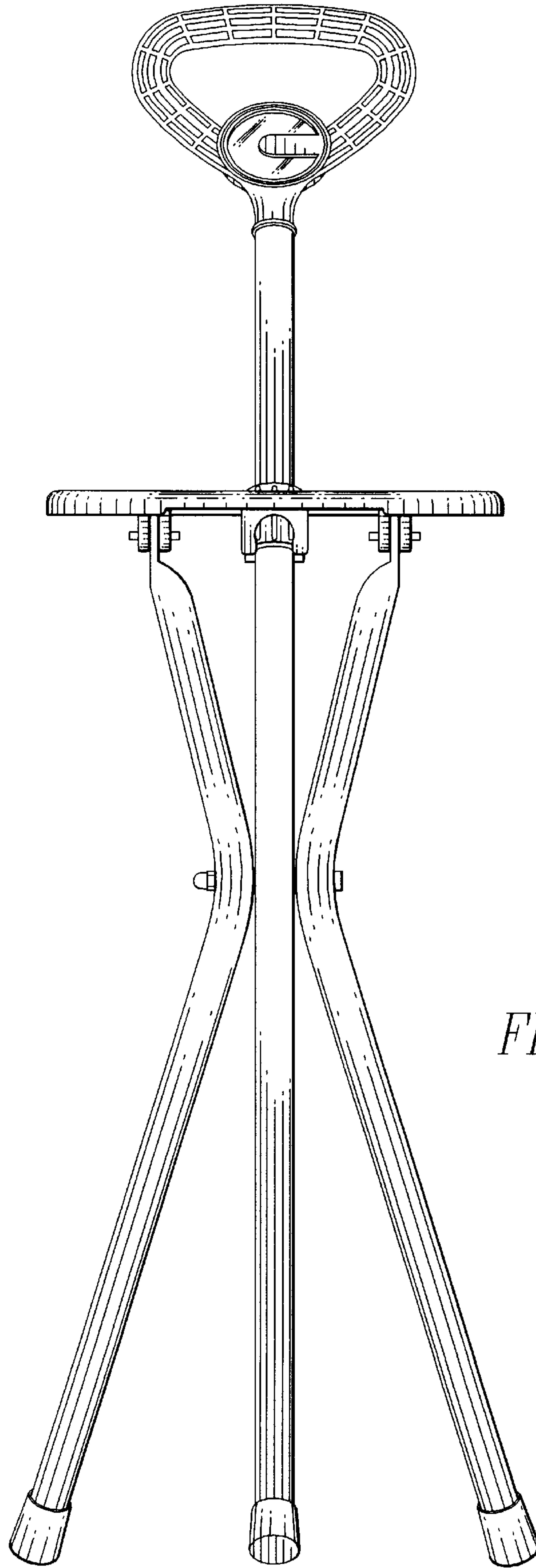


FIG. 2

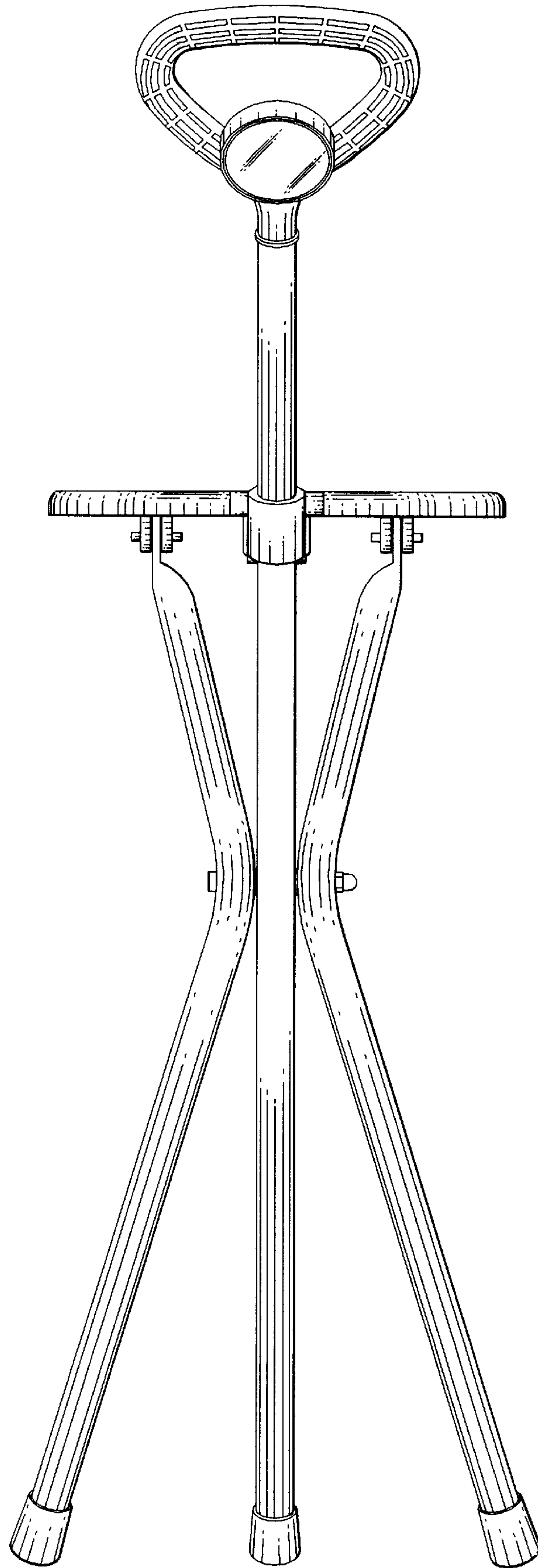


FIG. 3

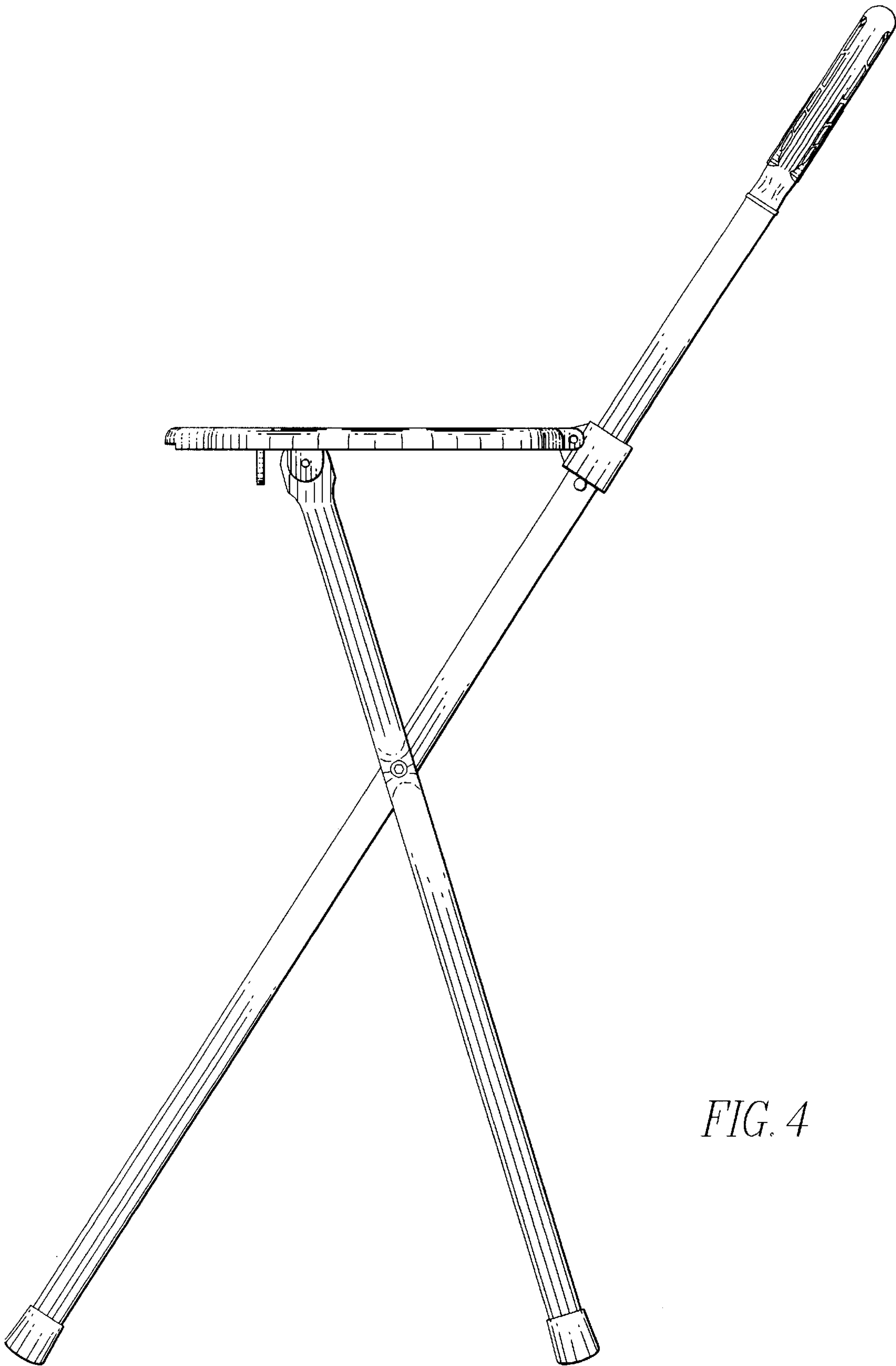


FIG. 4



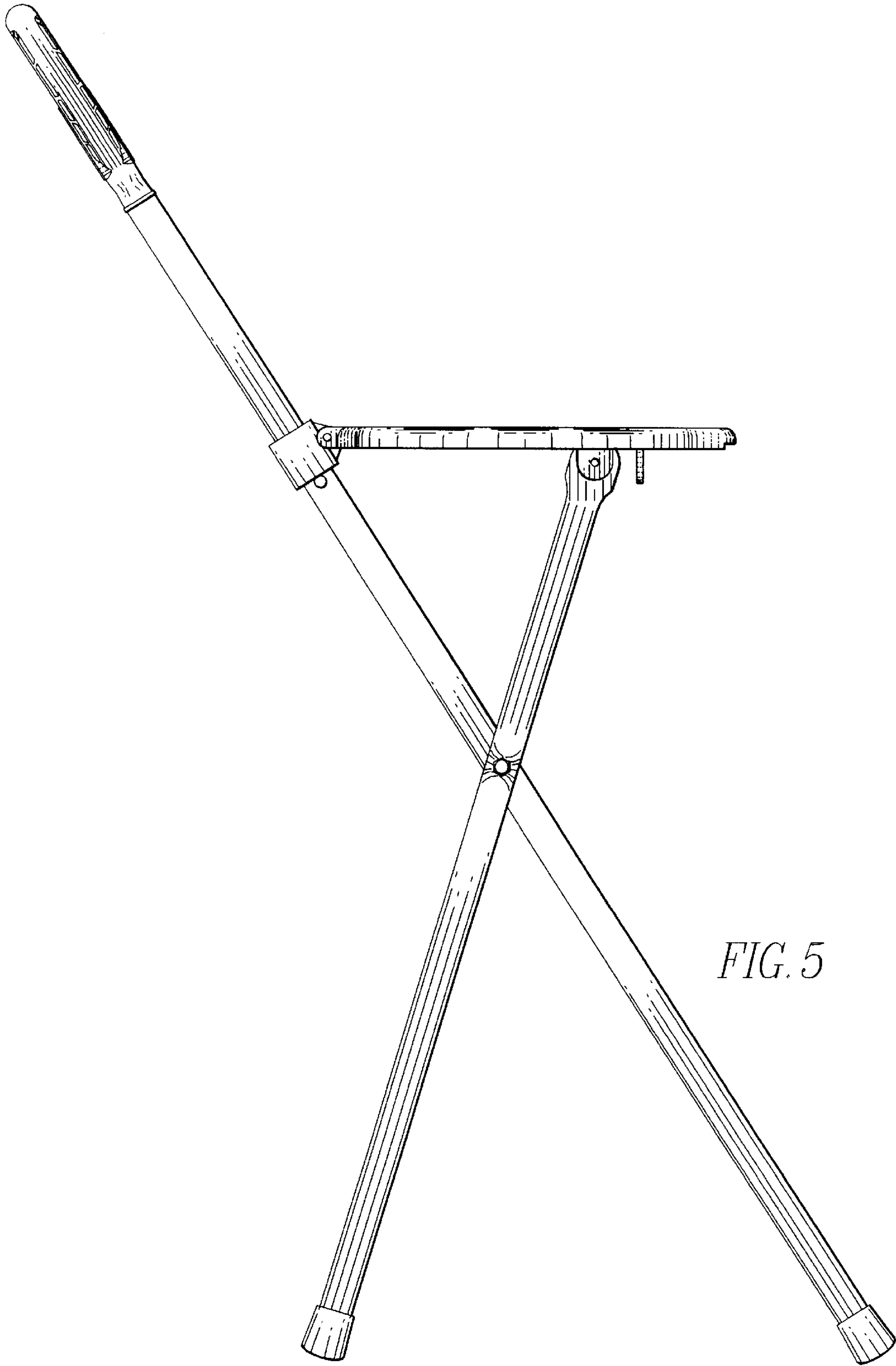


FIG. 5

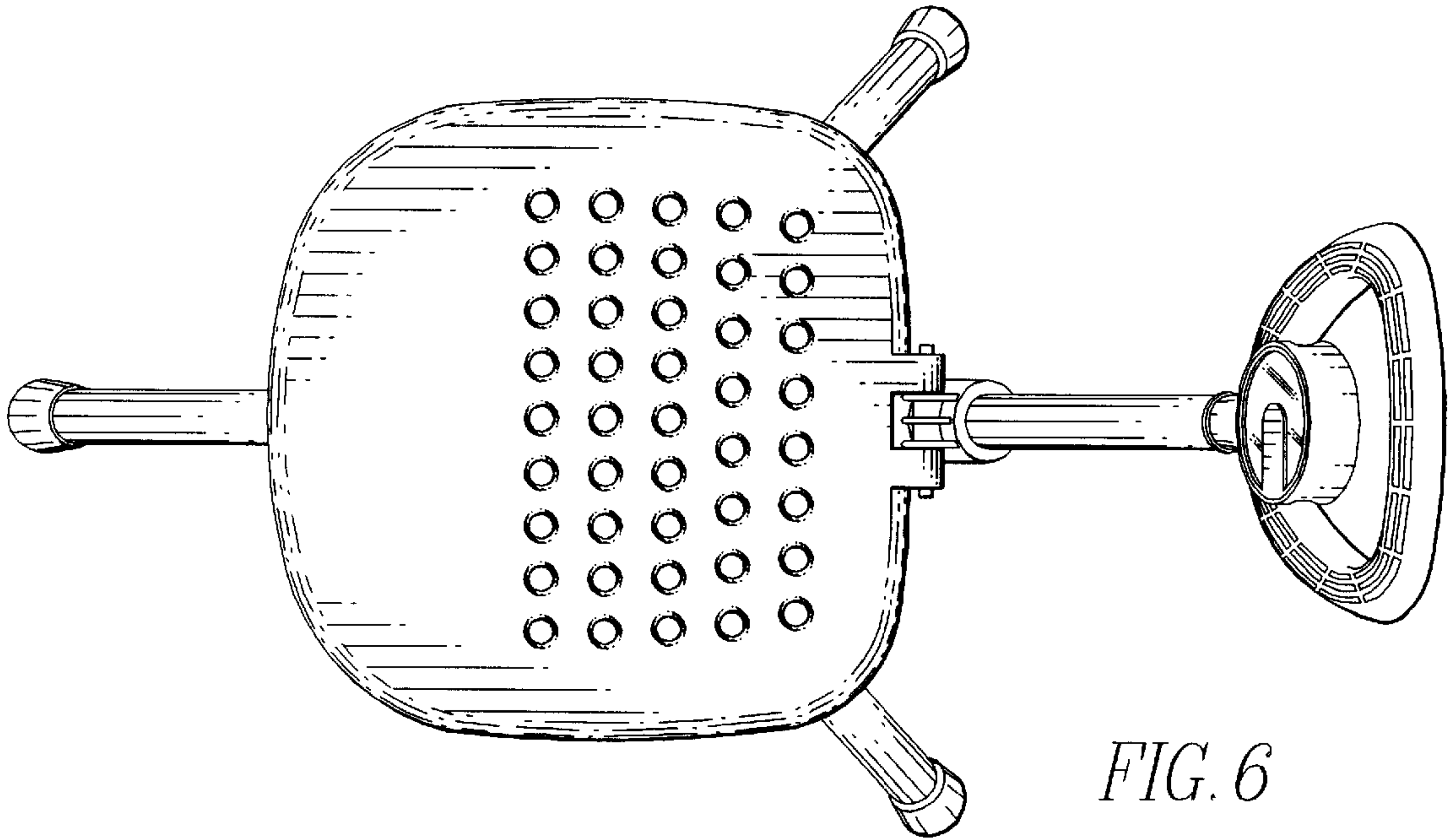


FIG. 6

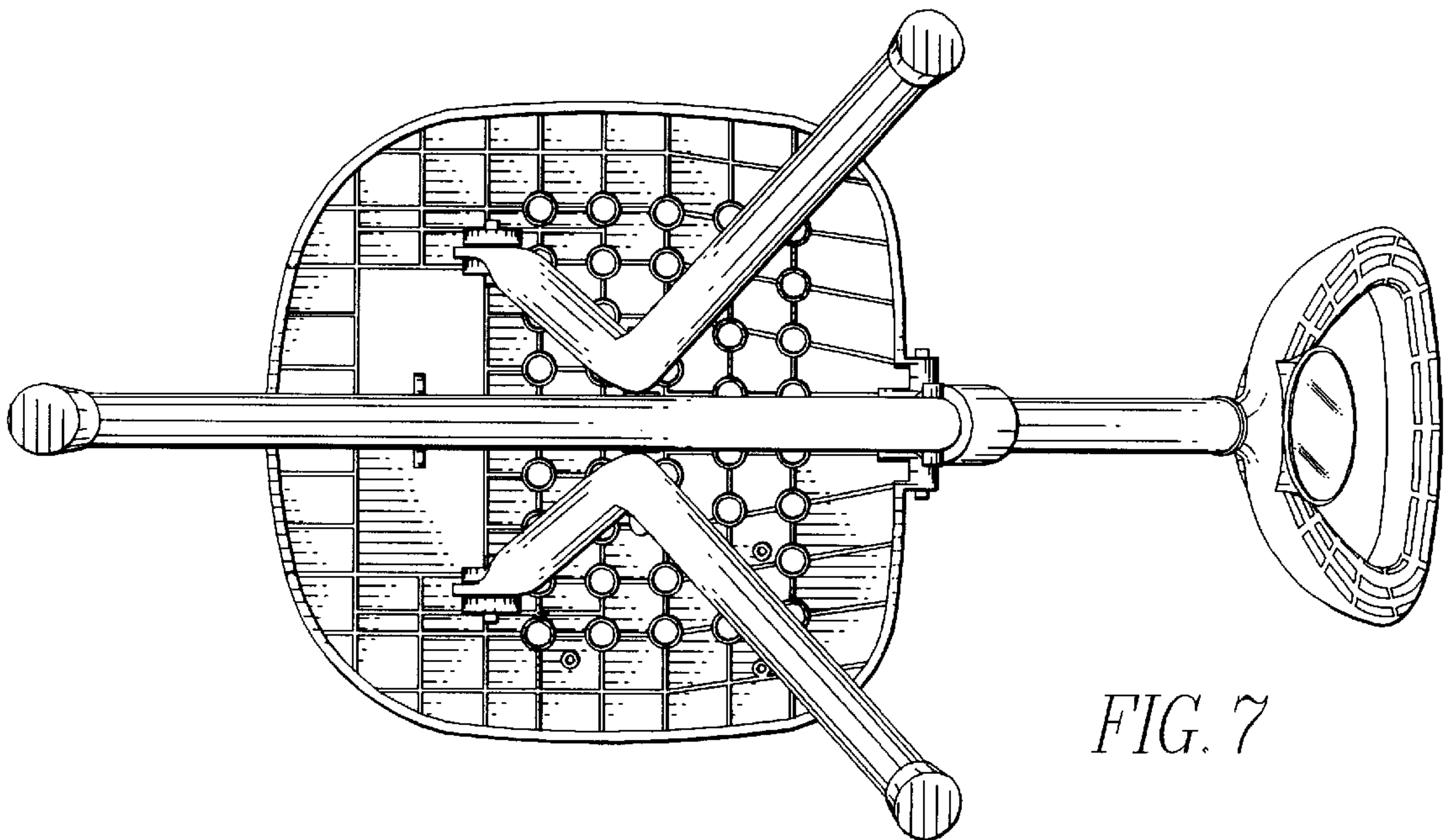
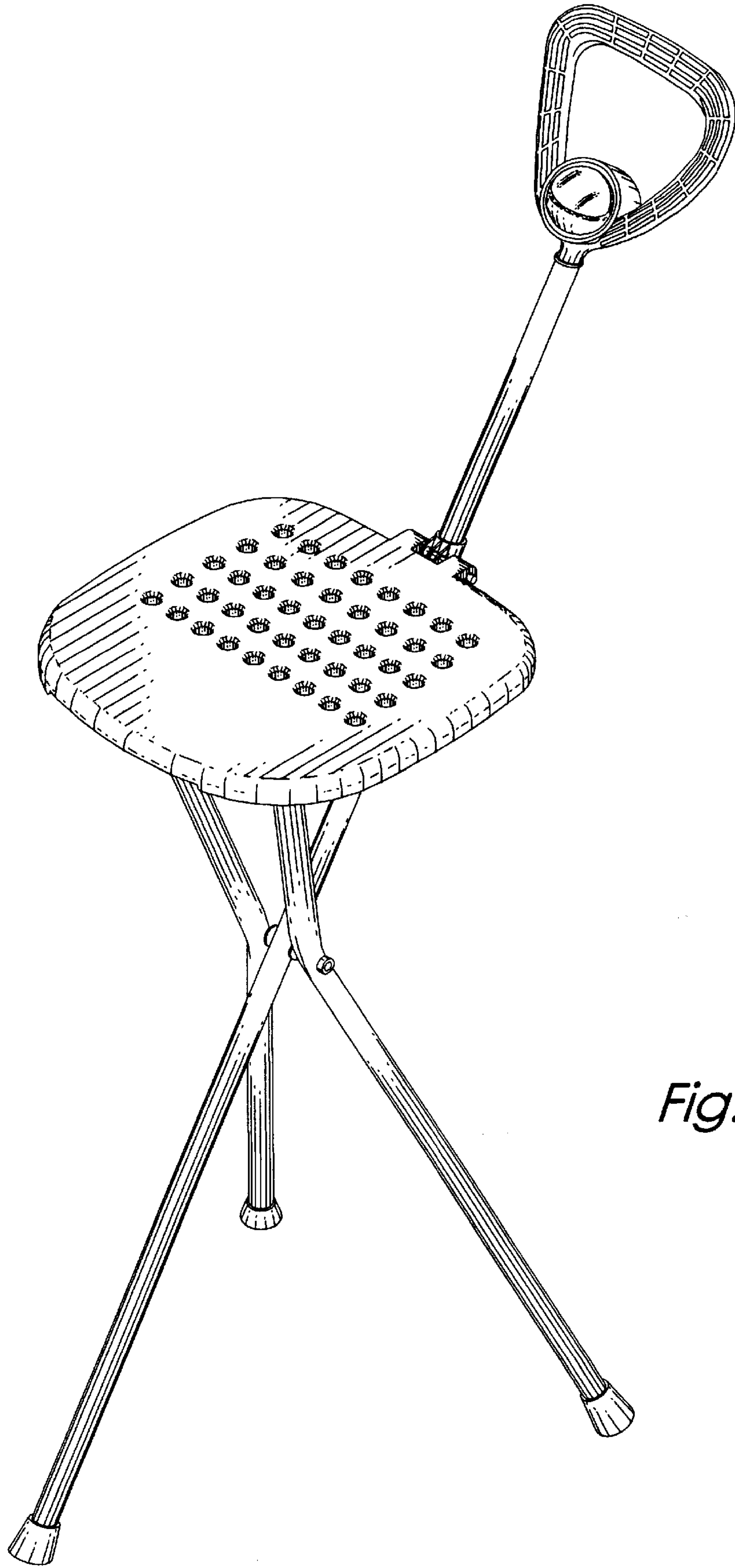
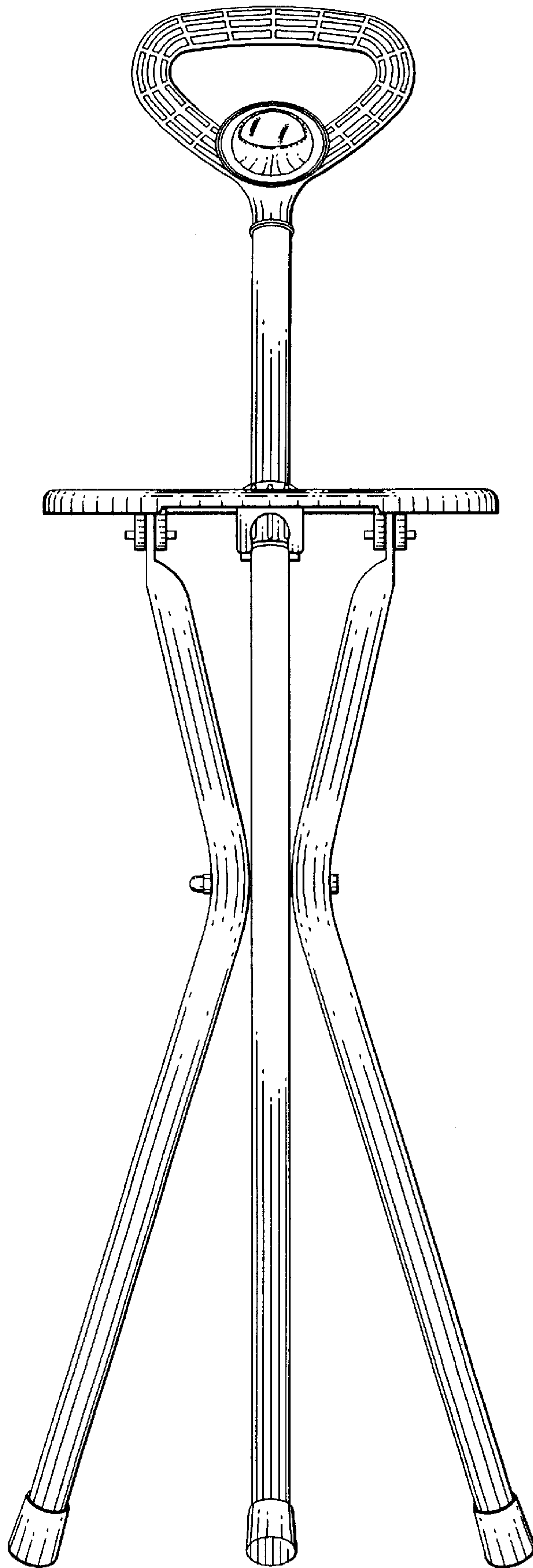


FIG. 7

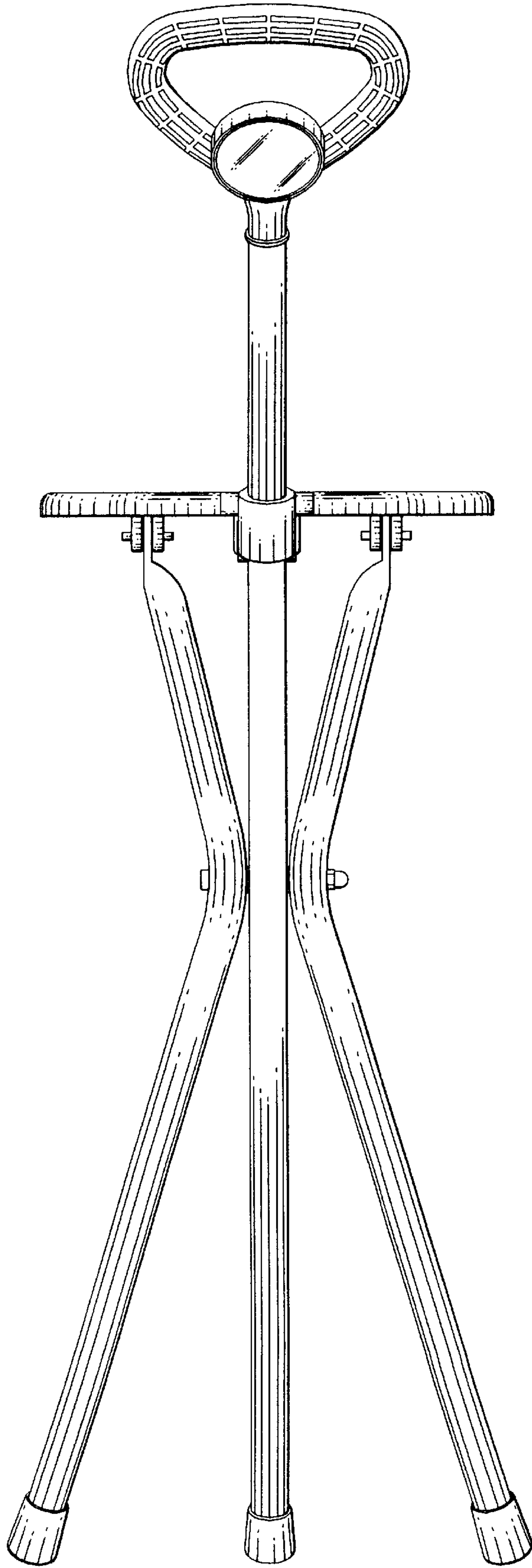


*Fig. 8*

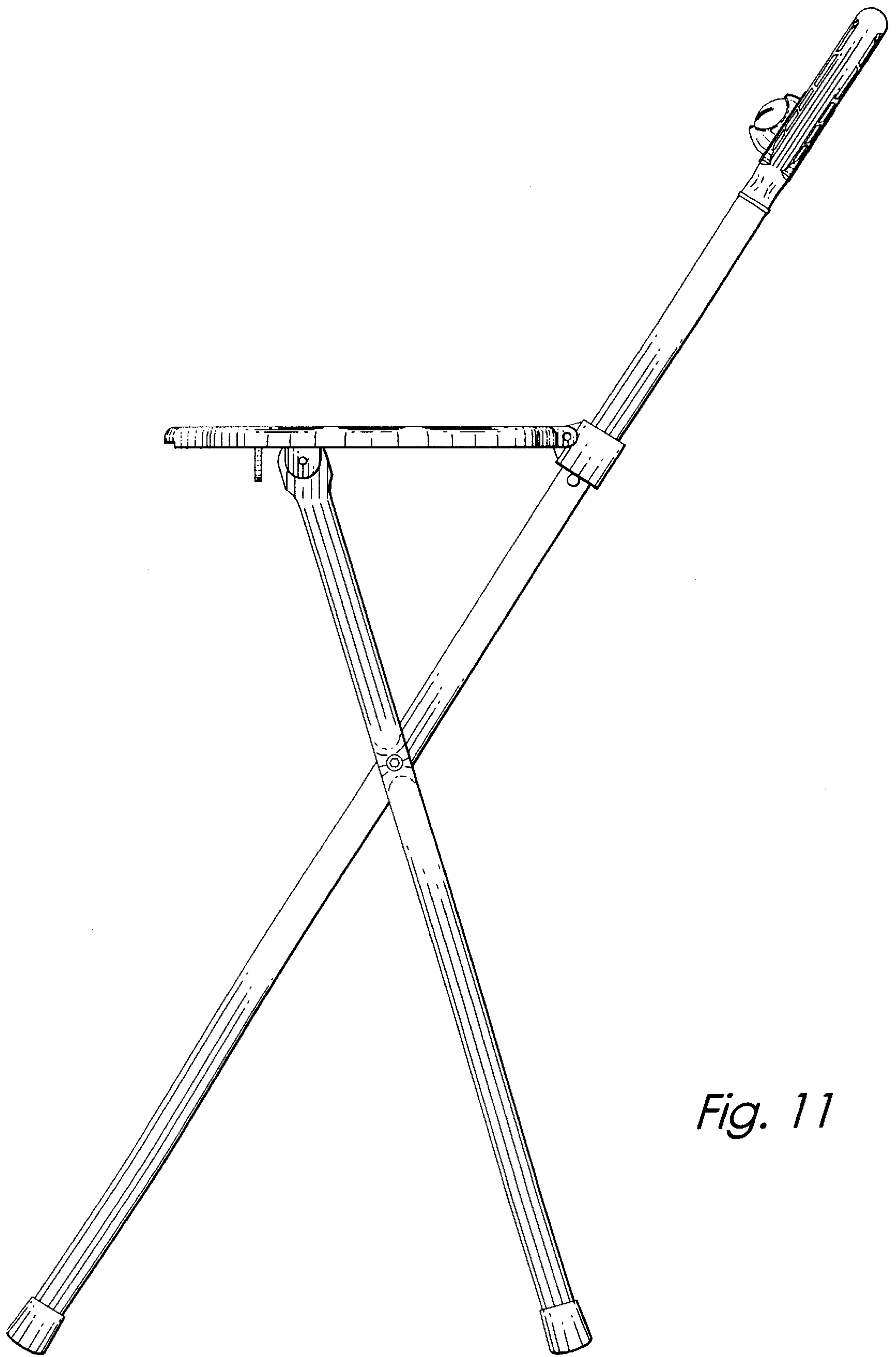




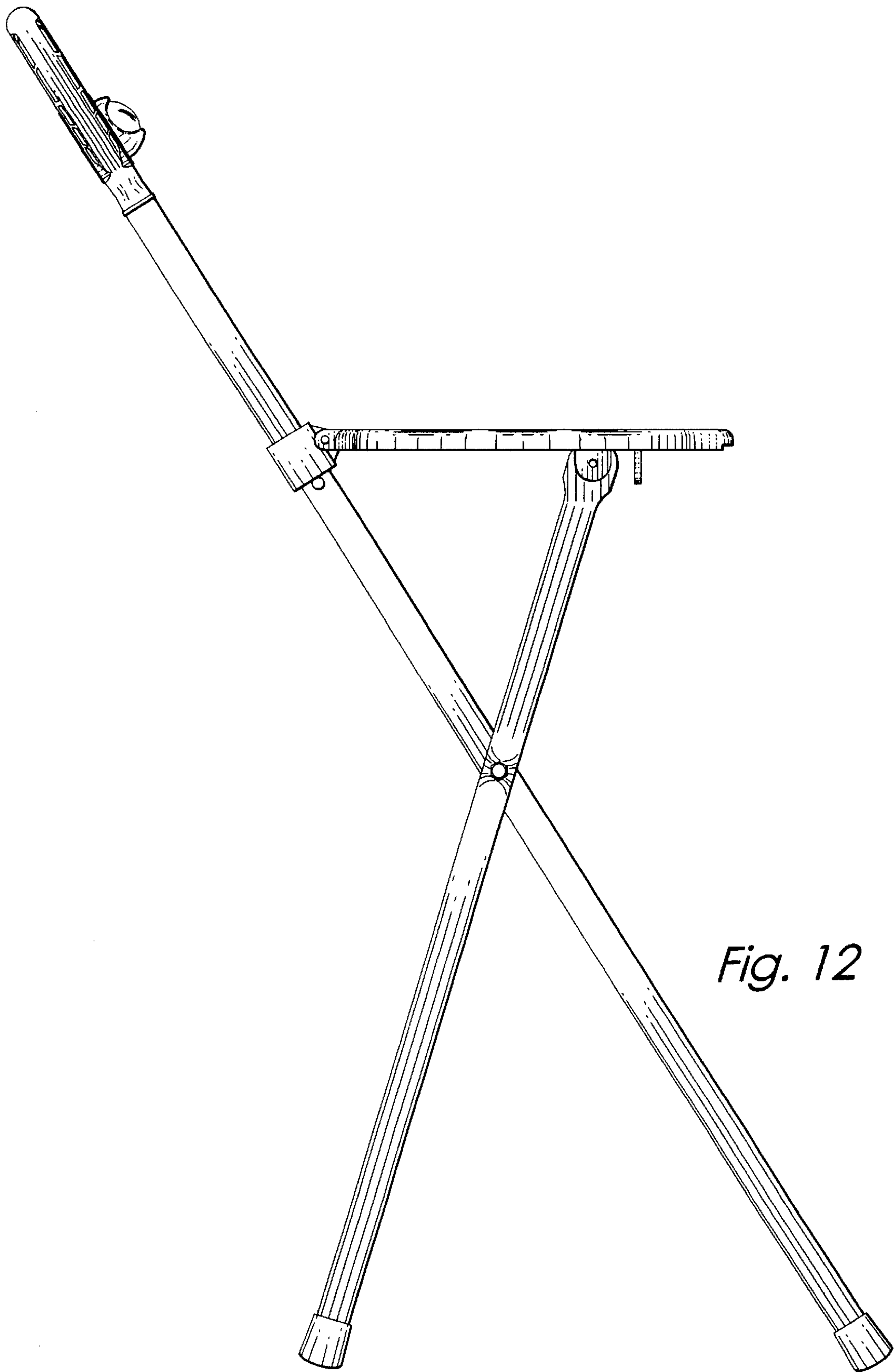
*Fig. 9*



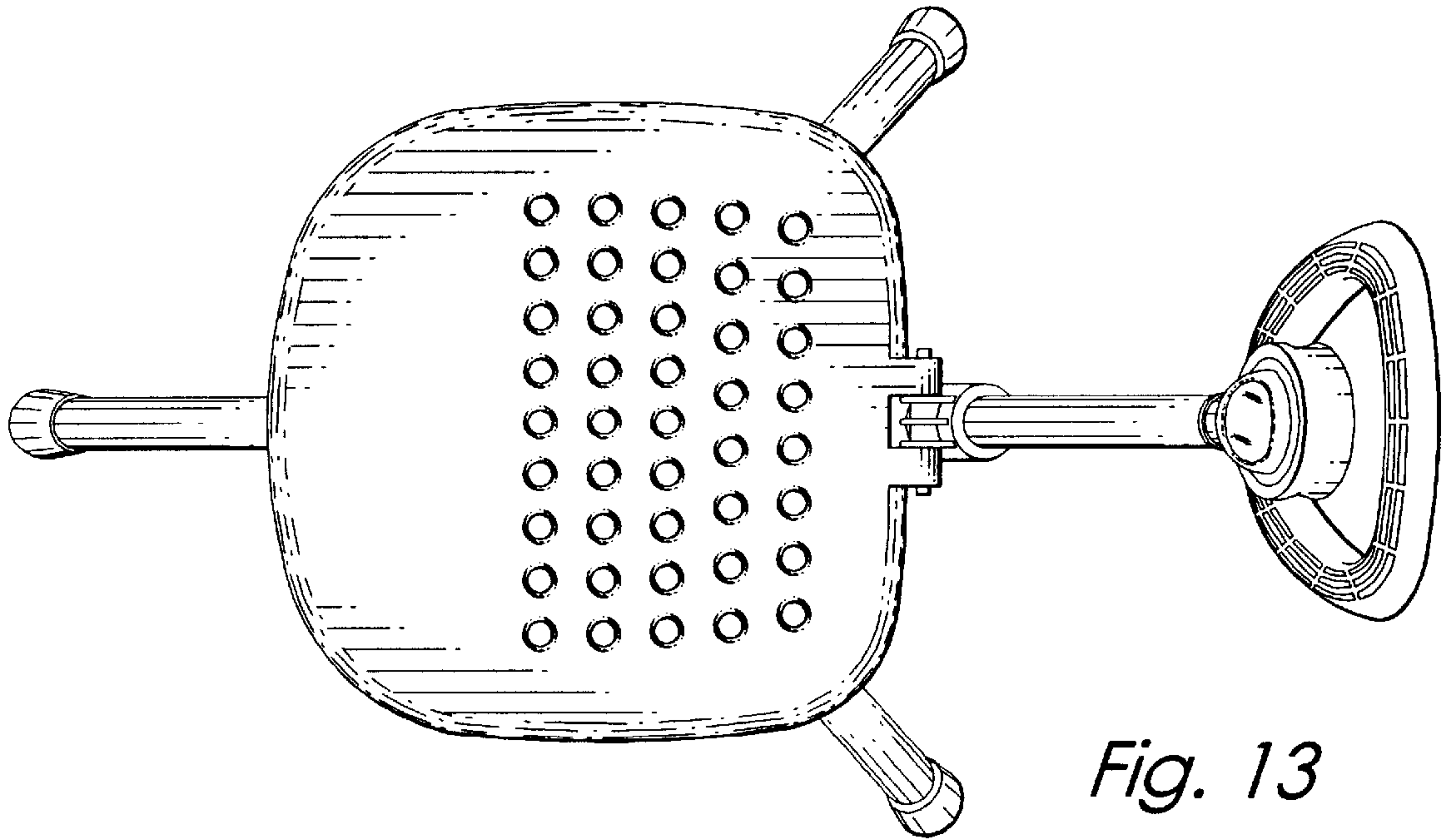
*Fig. 10*



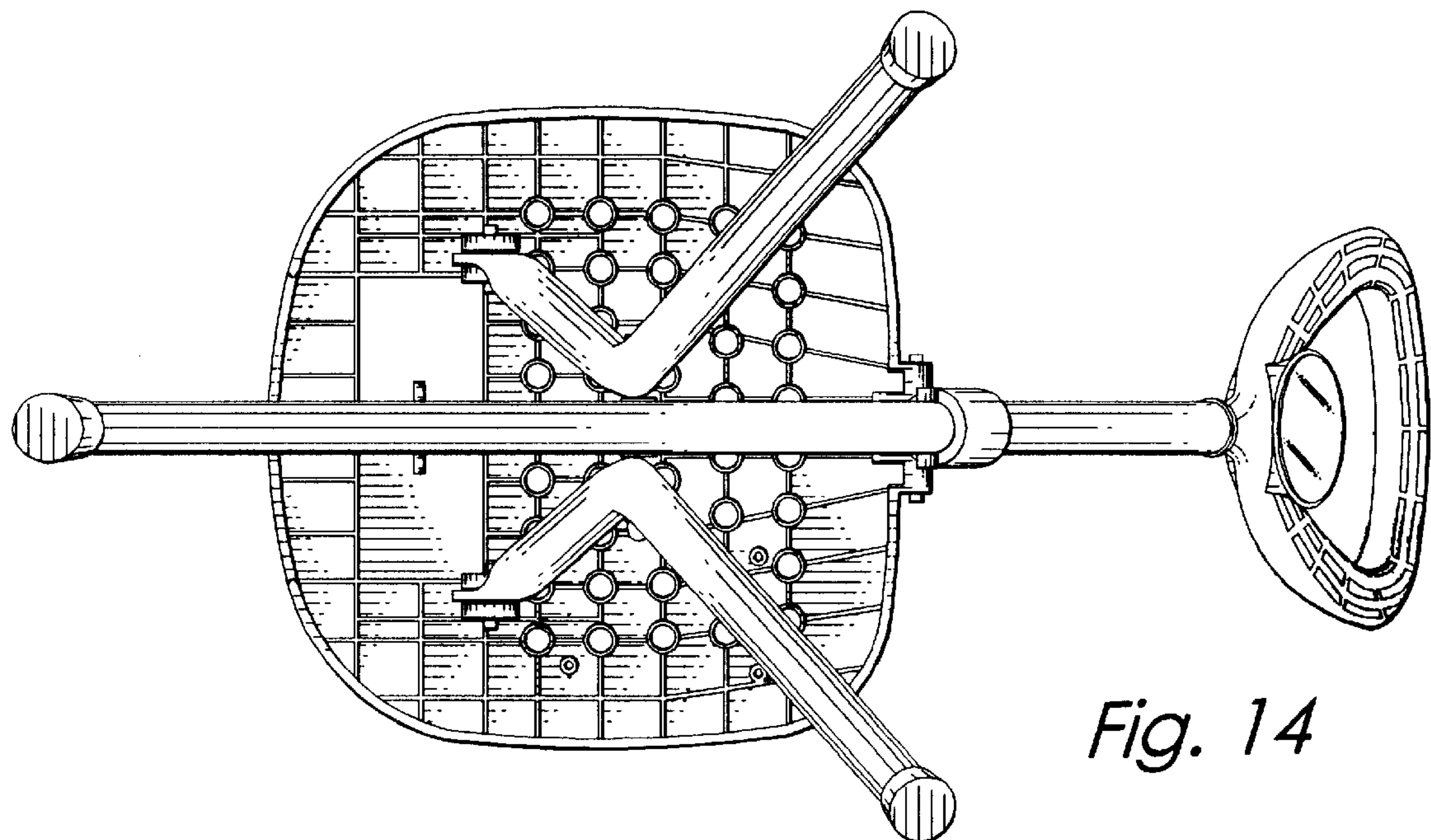
*Fig. 11*



*Fig. 12*



*Fig. 13*



*Fig. 14*