



US00D400723S

**United States Patent** [19]  
**Bergeson et al.**

[11] **Patent Number: Des. 400,723**

[45] **Date of Patent: \*\*Nov. 10, 1998**

[54] **RECLINING CHAIR**

[76] Inventors: **Kim Bergeson**, 1155 Blue Oak St.,  
Camarillo, Calif. 93010; **Norman L. Hall**, 2283 Terra Bella La., Camarillo,  
Calif. 93012; **Jaret M. Owens**, 308  
Lyon St., Ojai, Calif. 93023

[\*\*] Term: **14 Years**

[21] Appl. No.: **68,262**

[22] Filed: **Mar. 24, 1997**

[51] **LOC (6) Cl.** ..... **06-01**

[52] **U.S. Cl.** ..... **D6/368; D6/335**

[58] **Field of Search** ..... D6/334, 335, 336,  
D6/368, 374, 500, 501, 502; 297/55, 56,  
440.13

[56] **References Cited**

**U.S. PATENT DOCUMENTS**

D. 165,776 1/1952 Nelson ..... D6/374  
D. 269,832 7/1983 Crane ..... D6/368

D. 320,508 10/1991 Klawitter ..... D6/368  
D. 343,524 1/1994 Mandle ..... D6/368 X  
D. 365,938 1/1996 Gilborn et al. .... D6/374  
D. 382,721 8/1997 Jacobi ..... D6/368  
1,949,951 3/1934 Bozarth ..... D6/368 X  
3,847,435 11/1974 Skinner ..... D6/374 X

**FOREIGN PATENT DOCUMENTS**

1544140 4/1979 United Kingdom ..... D6/368 X

*Primary Examiner*—Gary D. Watson  
*Attorney, Agent, or Firm*—Willie Krawitz

[57] **CLAIM**

The ornamental design for a reclining chair, as shown and described.

**DESCRIPTION**

FIG. 1 is a front perspective view of a reclining chair showing our new design; and, FIG. 2 is a rear perspective view thereof. The side not shown is a mirror image of that shown in FIGS. 1 and 2.

**1 Claim, 1 Drawing Sheet**

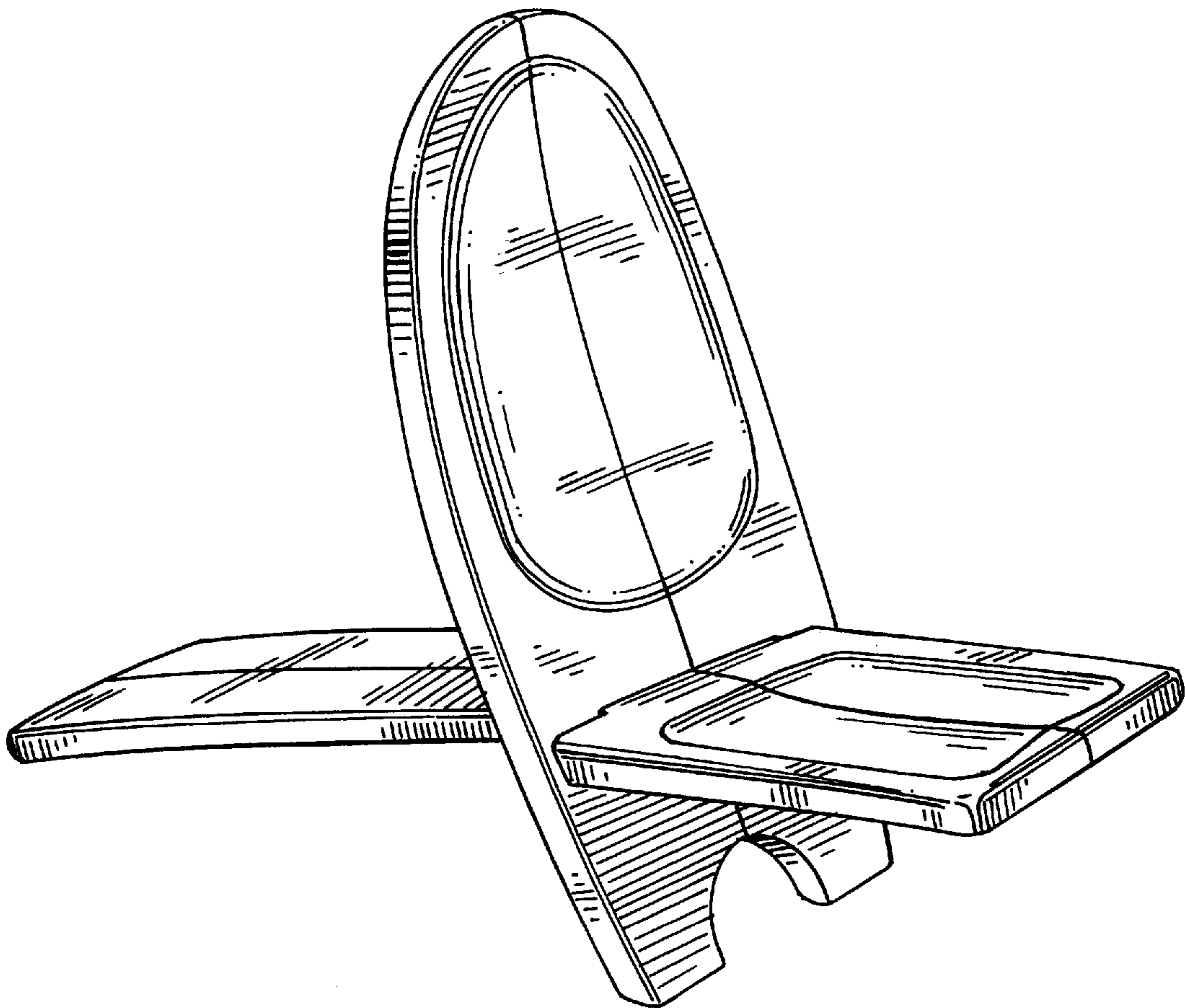


FIG. 2

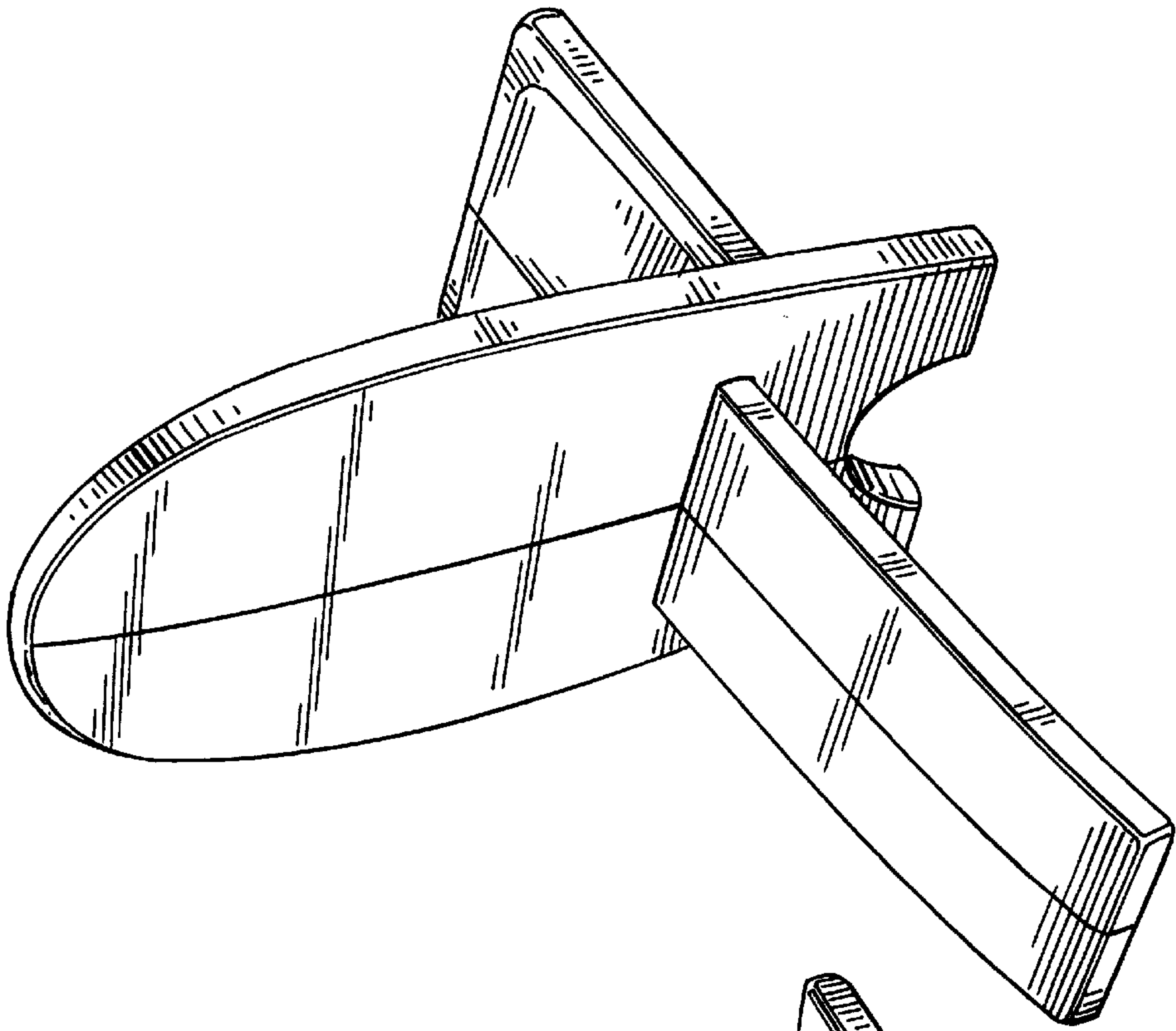


FIG. 1

