



US00D400721S

United States Patent [19]

Baeriswyl et al.

[11] **Patent Number: Des. 400,721**

[45] **Date of Patent: **Nov. 10, 1998**

[54] **CHAIR**

[75] Inventors: **Florin Baeriswyl; Christof Wuethrich,**
both of Zurich, Switzerland

[73] Assignee: **Dai Design, Architektur,**
Innenarchitektur, Zurich, Switzerland

[**] Term: **14 Years**

[21] Appl. No.: **78,080**

[22] Filed: **Oct. 16, 1997**

[30] **Foreign Application Priority Data**

Jun. 4, 1997 [CH] Switzerland 124199

[51] **LOC (6) Cl. 06-01**

[52] **U.S. Cl. D6/360**

[58] **Field of Search** D6/334, 360, 374,
D6/379, 380, 500, 501, 502; 297/239, 423.21,
446.1

[56] **References Cited**

U.S. PATENT DOCUMENTS

D. 202,426 9/1965 Jakobsen D6/360

D. 268,798	5/1983	Rowland	D6/374
D. 357,592	4/1995	Kellen	D6/360
D. 368,379	4/1996	Muller	D6/360
D. 369,686	5/1996	Martin	D6/360
2,936,024	5/1960	Hendrickson	297/239

Primary Examiner—Gary D. Watson

[57] **CLAIM**

The ornamental design for a chair, as shown and described.

DESCRIPTION

FIG. 1 is a front perspective view of a chair showing my new design;

FIG. 2 is a rear perspective view thereof;

FIG. 3 is a right elevational view thereof, the left elevational view being a mirror image thereof; and,

FIG. 4 is a front elevational view thereof.

1 Claim, 2 Drawing Sheets



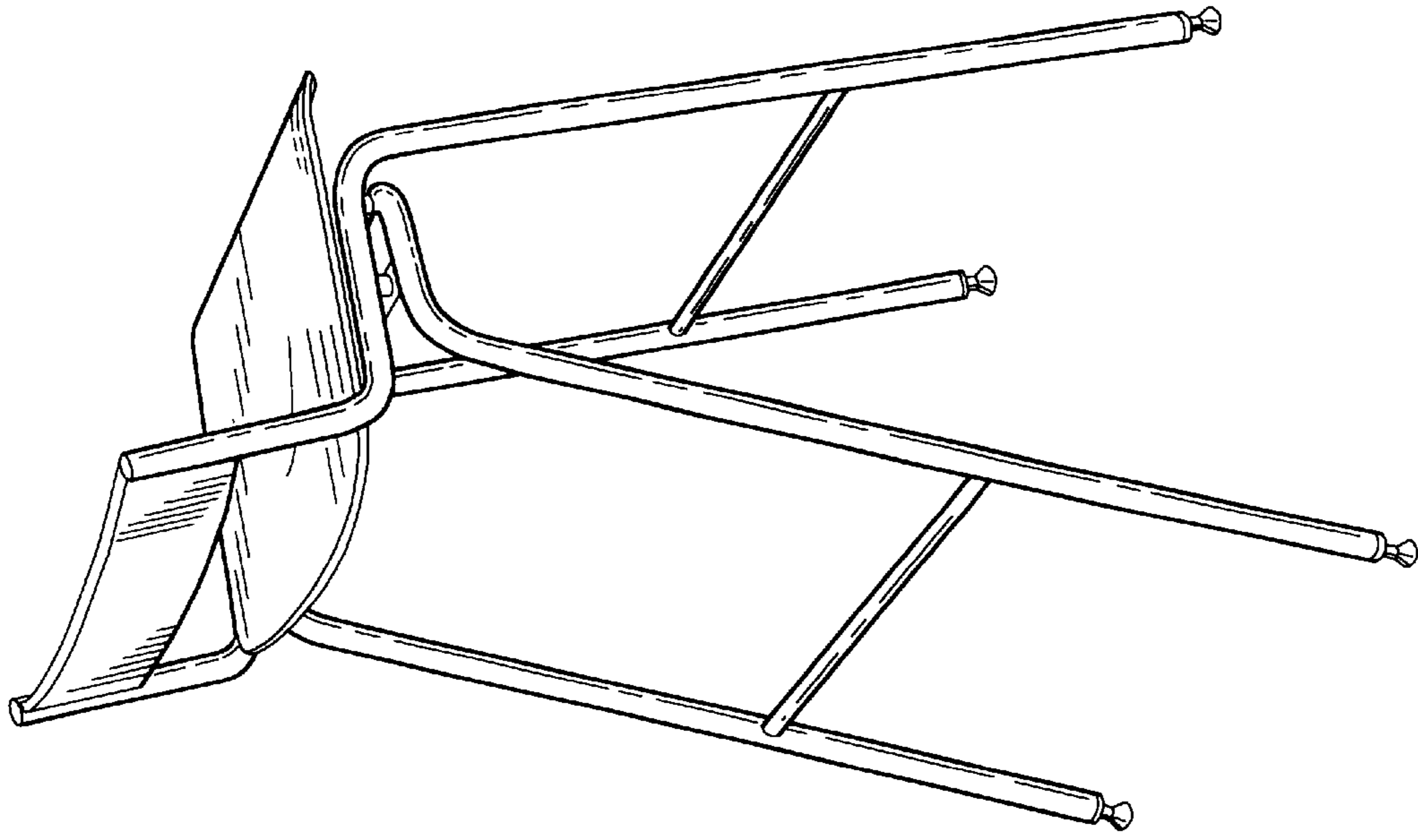


FIG. 2

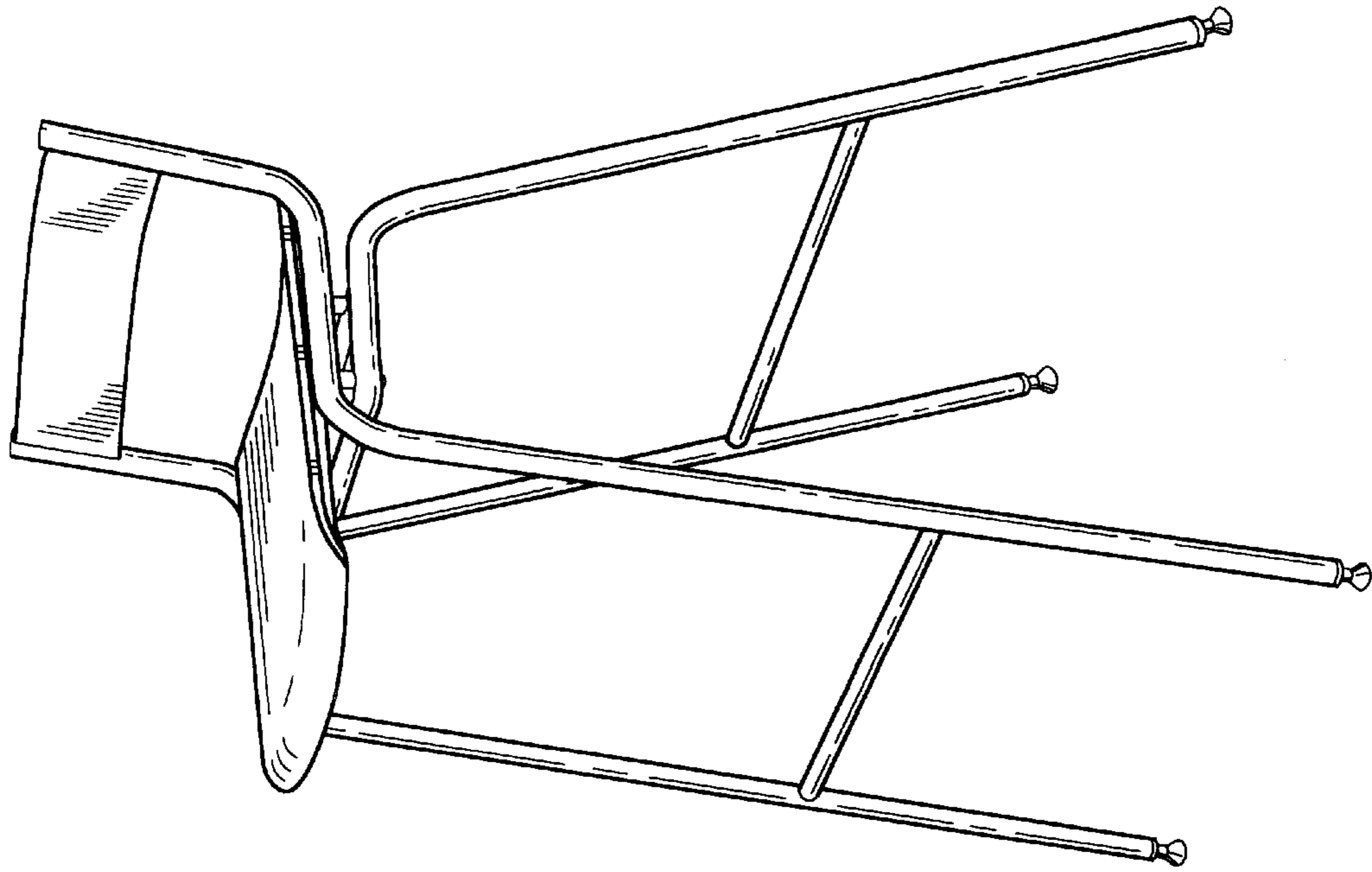


FIG. 1

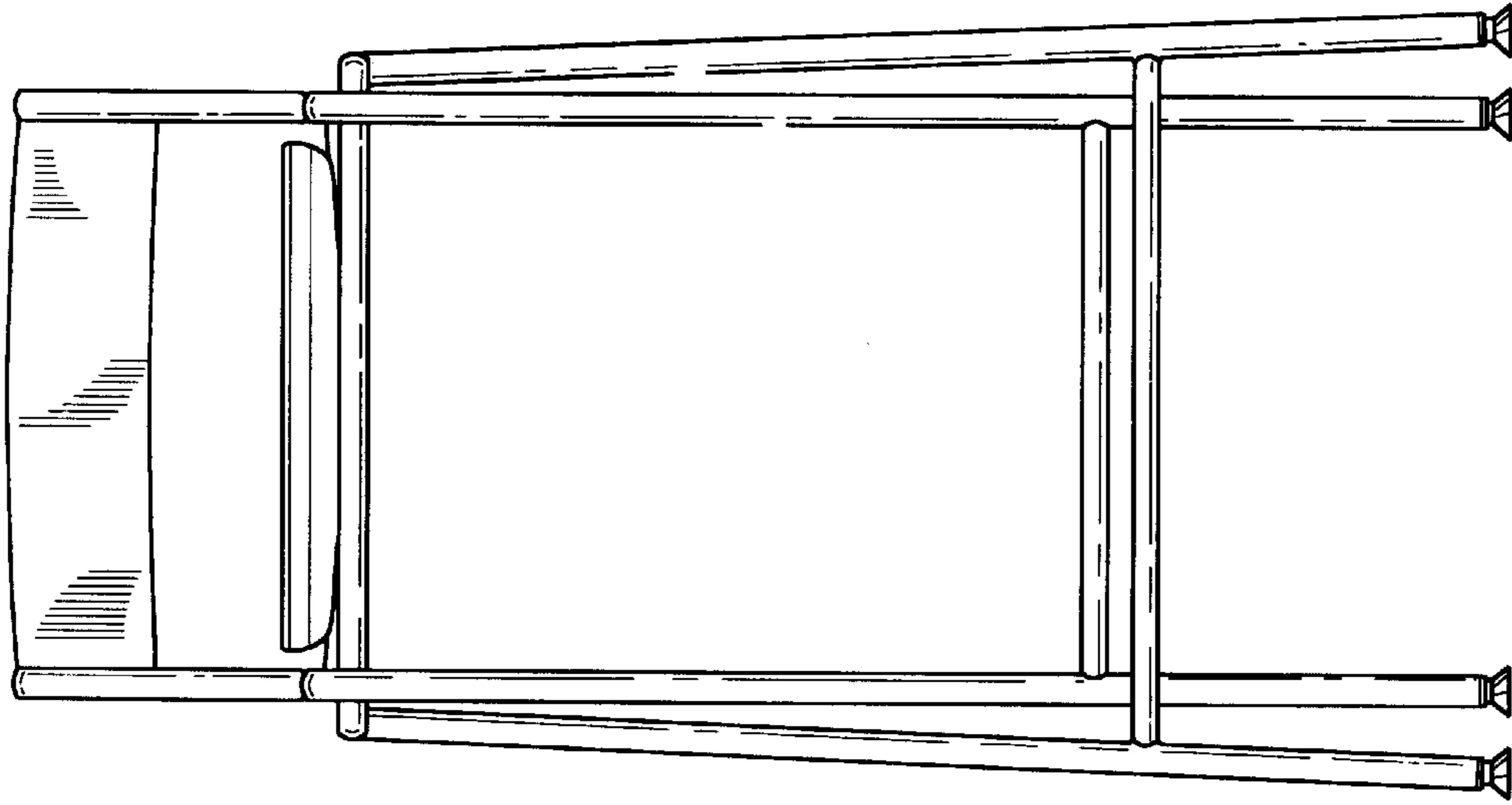


FIG. 4

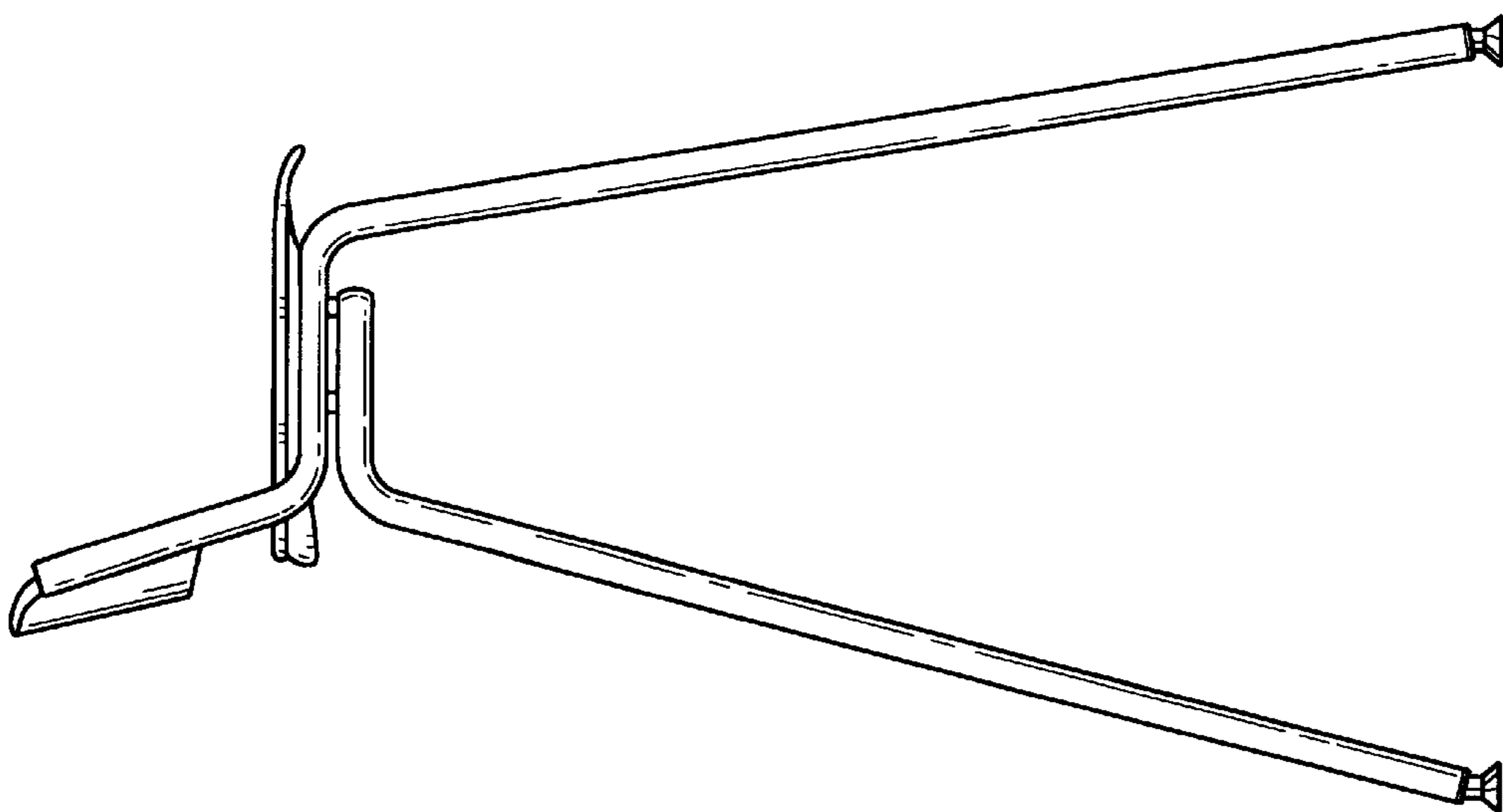


FIG. 3