



US00D400720S

United States Patent [19]

Pomeroy et al.

[11] Patent Number: Des. 400,720

[45] Date of Patent: **Nov. 10, 1998

[54] GLIDER

[75] Inventors: Charles Pomeroy; John T. Bycraft, both of South Bend, Ind.

[73] Assignee: Jack-Post Corporation, Buchanan, Mich.

[**] Term: 14 Years

[21] Appl. No.: 77,851

[22] Filed: Oct. 10, 1997

[51] LOC (6) Cl. 06-01

[52] U.S. Cl. D6/344; D6/370

[58] Field of Search D6/334, 335, 336, D6/344, 347, 370, 374, 379, 380, 381, 500, 501, 502; 248/370; 297/259.3, 273, 281, 287, 452.63

[56] References Cited

U.S. PATENT DOCUMENTS

D. 99,530	5/1936	Spencer .	
D. 103,956	4/1937	Rink .	
D. 110,560	7/1938	Goldberg .	
D. 121,462	7/1940	Tabb .	
D. 135,777	6/1943	Smith .	
D. 141,705	6/1945	Slaughter	D6/69
D. 149,900	6/1948	Mock	D6/177
D. 154,356	7/1949	Allmand	D6/52
D. 165,835	2/1952	Glass	D6/146
D. 256,744	9/1980	Mark	D6/45
D. 257,653	12/1980	Berlic .	
D. 259,308	5/1981	Sroub .	
D. 263,908	4/1982	Imber .	
D. 265,952	8/1982	Theodore .	
D. 281,376	11/1985	Gregory, III	D6/344
D. 281,378	11/1985	Parker	D6/379
D. 290,911	7/1987	Pomeroy et al.	D6/347
D. 298,490	11/1988	Pomeroy et al.	D6/347
D. 307,361	4/1990	Pomeroy et al.	D6/347
D. 307,362	4/1990	Pomeroy et al.	D6/347
D. 307,363	4/1990	Pomeroy et al.	D6/347
D. 307,523	5/1990	Pomeroy et al.	D6/347
D. 310,604	9/1990	Pomeroy et al.	D6/347
D. 325,823	5/1992	Pomeroy et al.	D6/335
D. 327,584	7/1992	Braxton, III	D6/347

D. 328,197	7/1992	Braxton, III	D6/347
D. 328,821	8/1992	Wooding et al.	D6/344
D. 334,485	4/1993	Pomeroy et al.	D6/344
D. 341,037	11/1993	Pomeroy et al.	D6/372
D. 349,818	8/1994	Noll	D6/344
D. 350,855	9/1994	Pomeroy et al.	D6/344
D. 361,673	8/1995	Pomeroy et al.	D6/344
D. 362,349	9/1995	Pomeroy et al.	D6/344
D. 365,692	1/1996	Pomeroy et al.	D6/344
2,567,612	9/1951	McGehee .	
2,718,916	9/1955	Borochoff	297/287
3,078,101	2/1963	Reese	280/30
4,919,480	4/1990	Drew, III	297/244
5,667,273	9/1997	Noll	297/273 X

OTHER PUBLICATIONS

- 1987 Jack-Post Catalog: Outdoor Furniture/Outdoor Products; pp. 1-15.
- 1988 Jack Post Catalog: Outdoor Furniture/Outdoor Products/BuildingProducts; pp. 1-17.
- 1989 Jack Post Catalog: Outdoor Furniture/Outdoor Products/BuildingProducts; pp. 1-17.
- 1990 Iron Mountain Catalog: Fine Outdoor and Patio Furniture; Iron Mountain; 6 pp.

(List continued on next page.)

Primary Examiner—Gary D. Watson
Attorney, Agent, or Firm—Arnold, White & Durkee

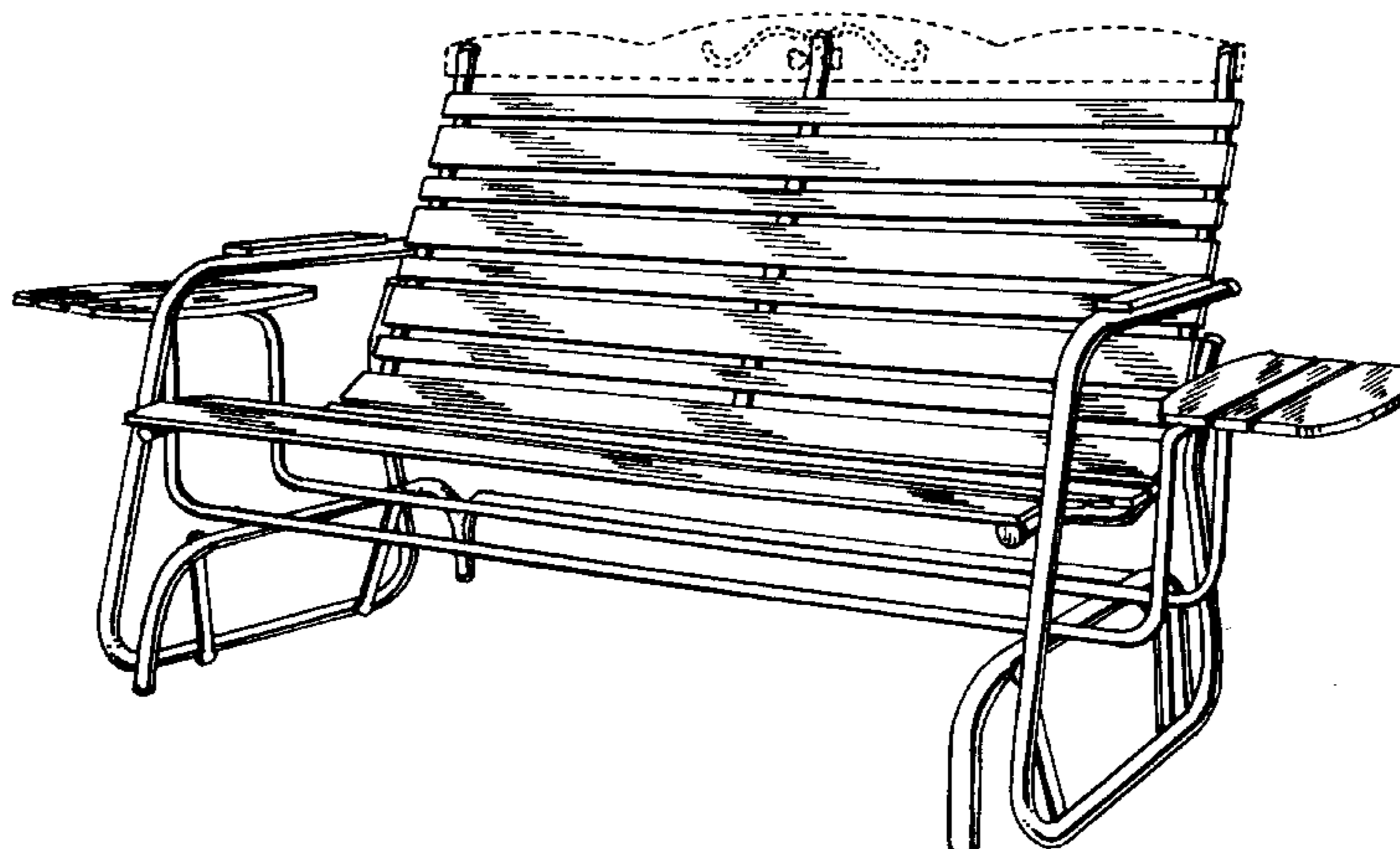
[57] CLAIM

The ornamental design for a glider, as shown and described.

DESCRIPTION

FIG. 1 is a front perspective view of the glider showing our new design;
 FIG. 2 is an end elevational view, the opposite end being a mirror image thereof;
 FIG. 3 is a front elevational view;
 FIG. 4 is a rear elevational view;
 FIG. 5 is a top plan view; and,
 FIG. 6 is a bottom plan view thereof.
 The broken line showing of the glider's headboard in each of the views is for illustrative purposes only and forms no part of the claimed design.

1 Claim, 5 Drawing Sheets



OTHER PUBLICATIONS

1991 Jack Post Catalog: Outdoor Furniture/Outdoor Products/Building Products; pp. 1-23.

1992 Jack Post Catalog: Outdoor Furniture/Outdoor Products/Building Products; pp. 1-23.

Pamphlet: Grand Isle LGL-51HBZ Traditional High Back Glider and LGL-51Z Glider; Cardinal Home Products of Cleveland, Ohio; date unknown.

Pamphlet: Grand Isle LGL-48HBG High Back Glider-Premium; Cardinal Home Products of Cleveland, Ohio, undated.

Pamphlet: Grand Isle LGL-22JHBG High Back Chair; Cardinal Home Products of Cleveland, Ohio, undated.

Pamphlet: Grand Isle LGL-22Z Glider Chair; Cardinal Home Products of Cleveland, Ohio, undated.

Pamphlet: Grand Isle LGL-44TV Glider and LGL-44V Glider; Cardinal Home Products of Cleveland, Ohio, undated.

Pamphlet: Grand Isle LGL-48TZ Deluxe Glider With Side Tables and LGL-48Z Deluxe Glider; Cardinal Home Products of Cleveland, Ohio, undated.

Pamphlet: Grand Isle LGL-60TV 6' Glider and LGL-60V 6' Glider; Cardinal Home Products of Cleveland, Ohio, undated.

Pamphlet: Mountaineer Outdoor Furniture; Iron Mountain Forge; date Mar. 9, 1986.

Pamphlet: Sunstar Double Glider, undated.

Pamphlet: Sunstar Single Glider, undated.

Catalog: Lauan Mahogany Furniture; Cardinal American of Bedford Hts., Ohio; 6 pp.; 1985.

Assembly Instructions for Your New Glider; C&H Houston, Inc. of Houston, Texas; 4 pp. undated.

Pamphlet: 801106 5 ft. Glider; Flanders Industries, Inc. of Fort Smith, Arkansas, undated.

Pamphlet: Glider; Oakwood Manufacturing Inc. of Oxford, Michigan, undated.

Pamphlet: Glider; Iron Mountain Forge of Farmington, Missouri, undated.

Pamphlet: American Handcrafted Indoor Outdoor Furniture; Ozard Wood Products, Inc. of Chicago, Illinois, undated.

Pamphlet: Glider; Behlen Mfg. Co. of Columbus, Nebraska, undated.

Pamphlet: Chair Gliders; Behlen Mfg. Co. of Columbus, Nebraska, undated.

1990 Jack-Post Catalog: Outdoor Furniture/Outdoor Products; pp. 1-17.

1993 Jack Post Catalog: Outdoor Furniture/Outdoor Products/Building Products; pp. 1-23.

1994 Jack Post Catalog: Thirtieth Anniversary; pp. 1-27.

1995 Jack Post Catalog: Outdoor Furniture/Outdoor Products/Building Products; pp. 1-27.

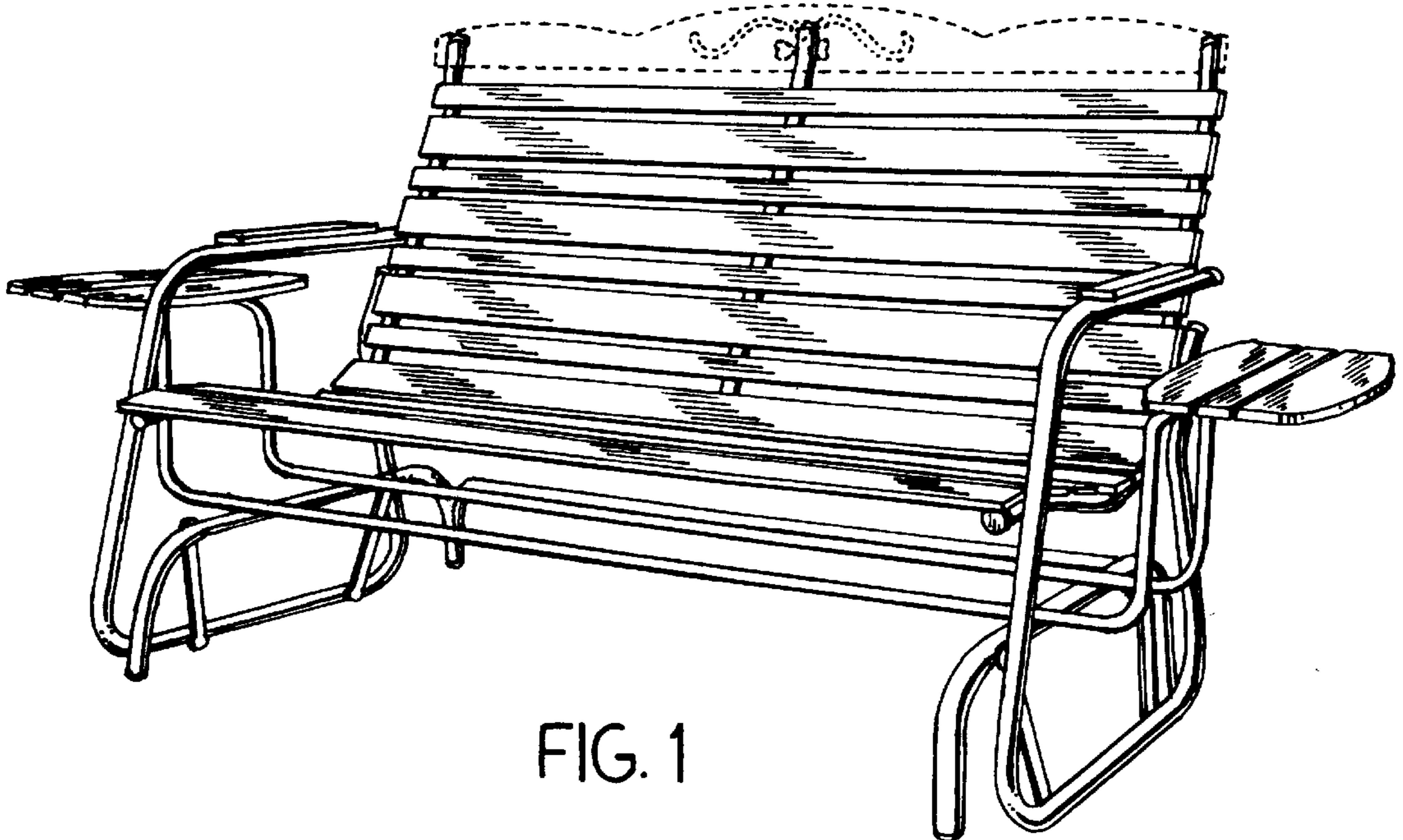


FIG. 1

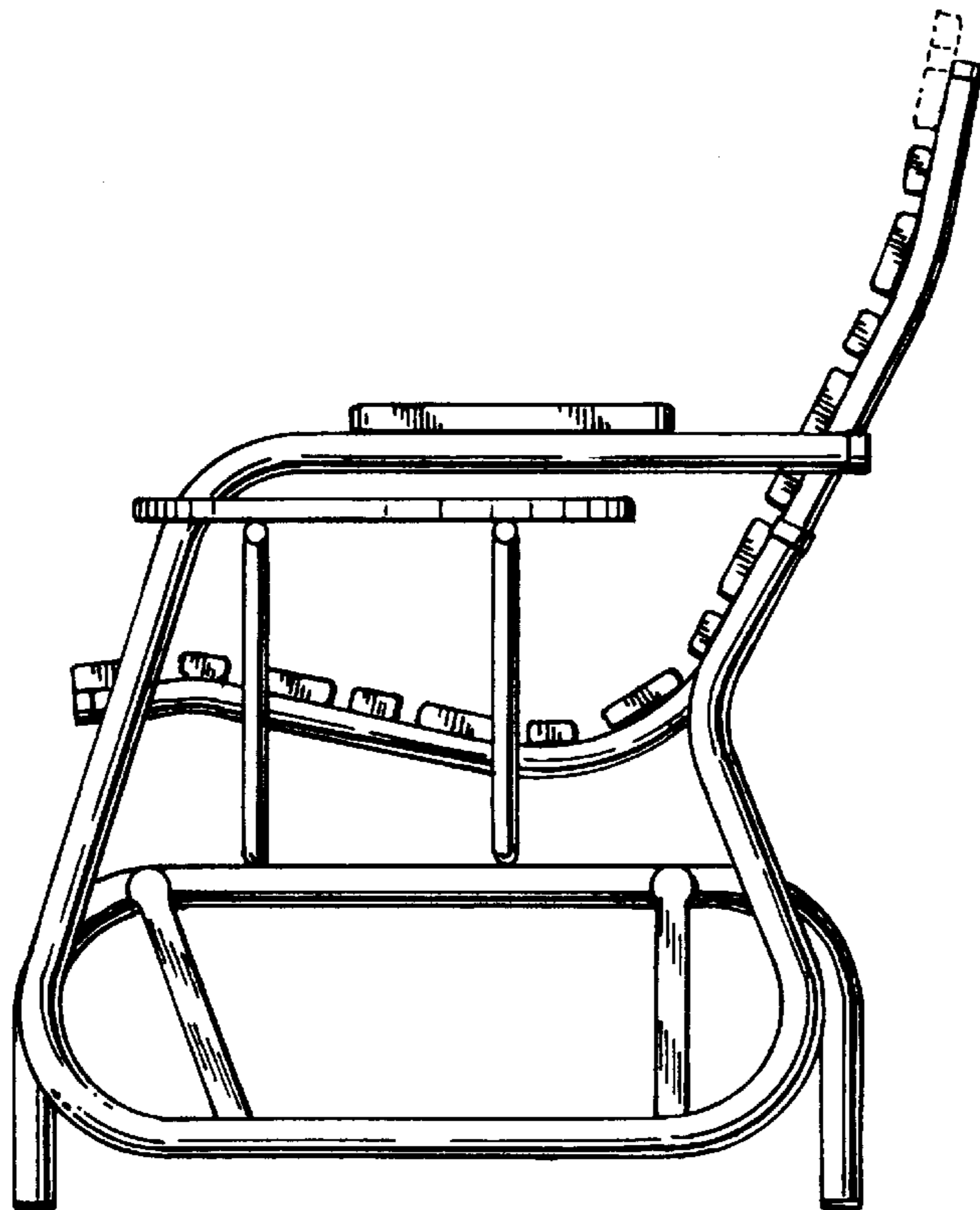


FIG. 2

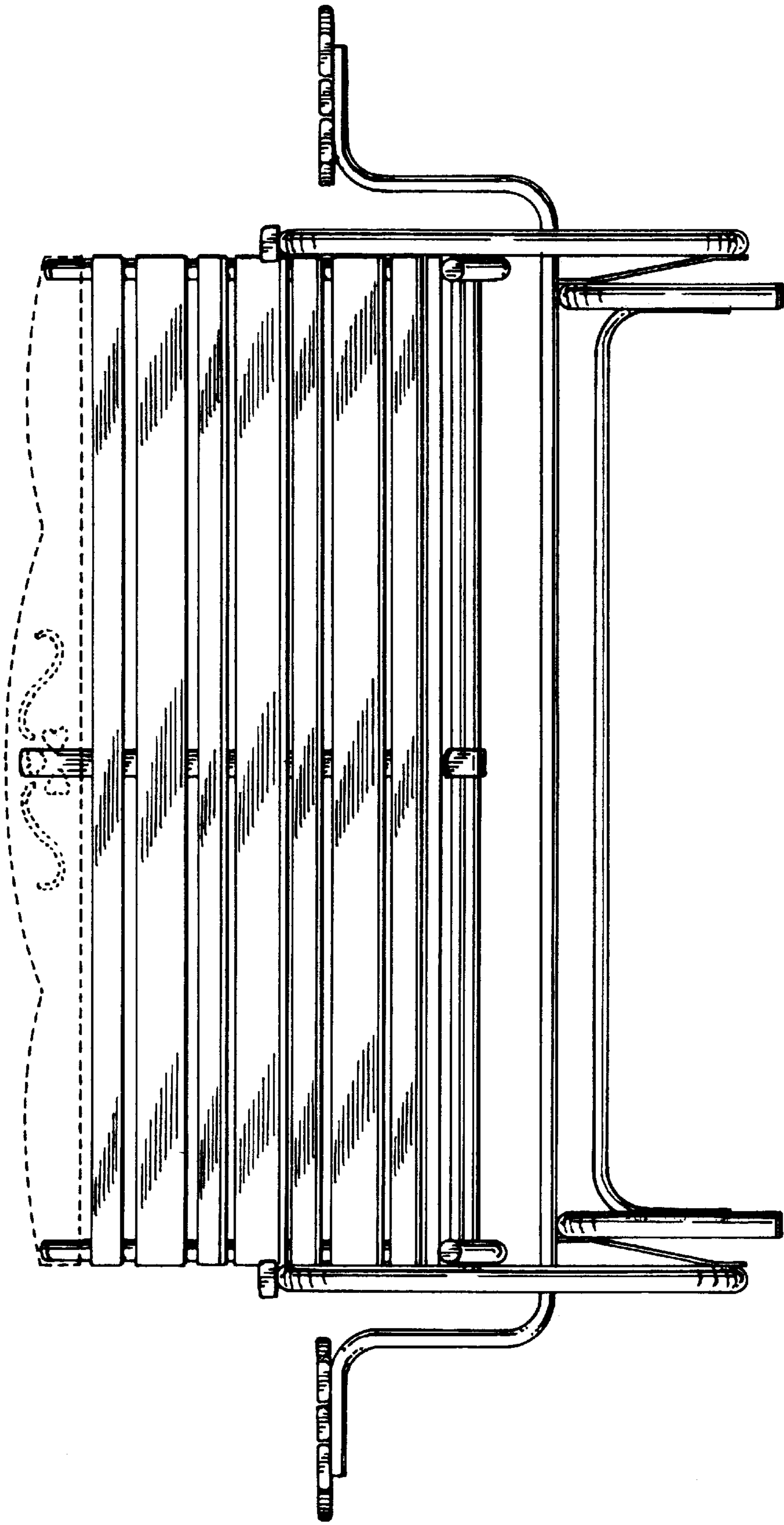


FIG. 3

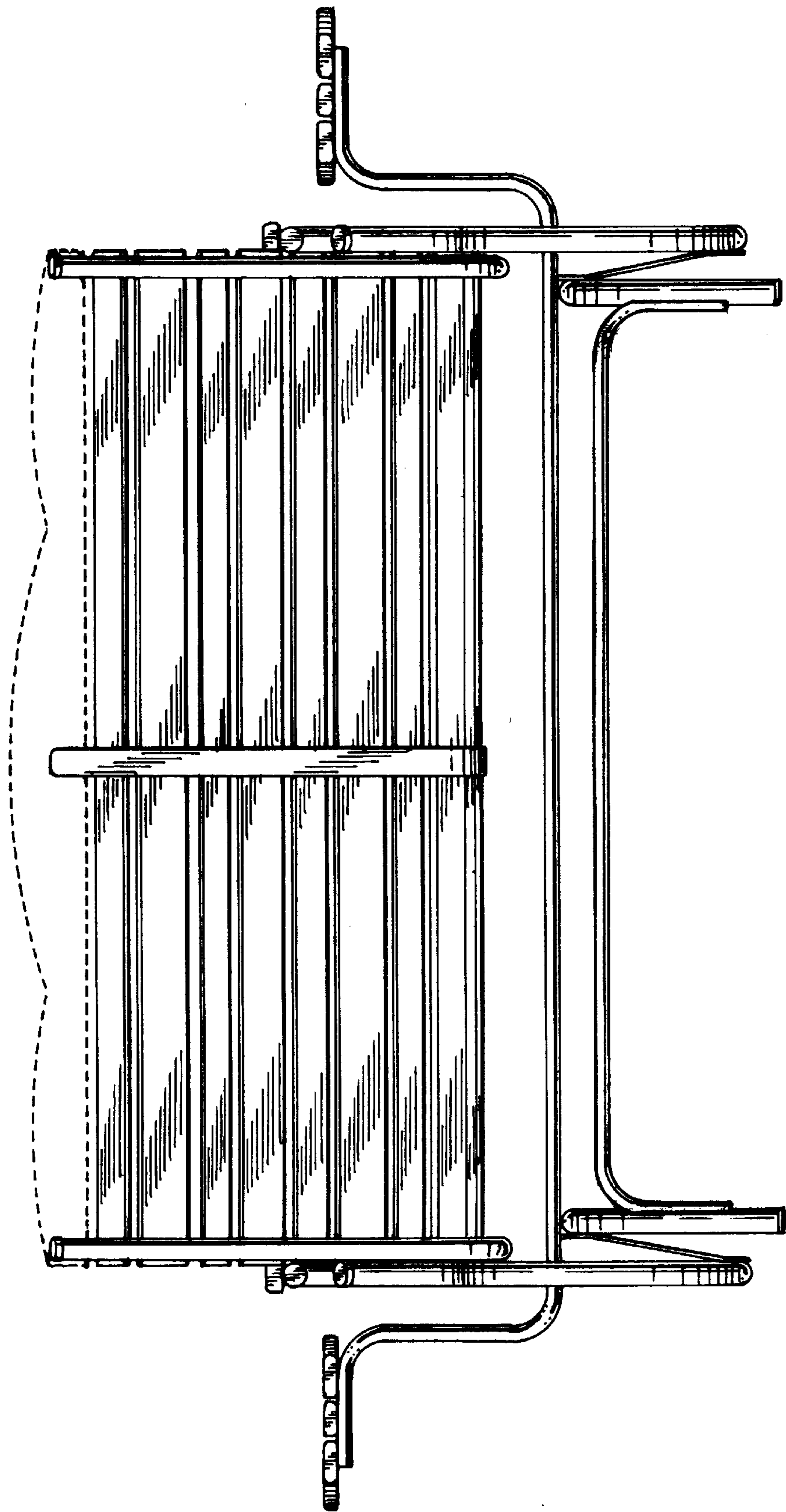


FIG. 4

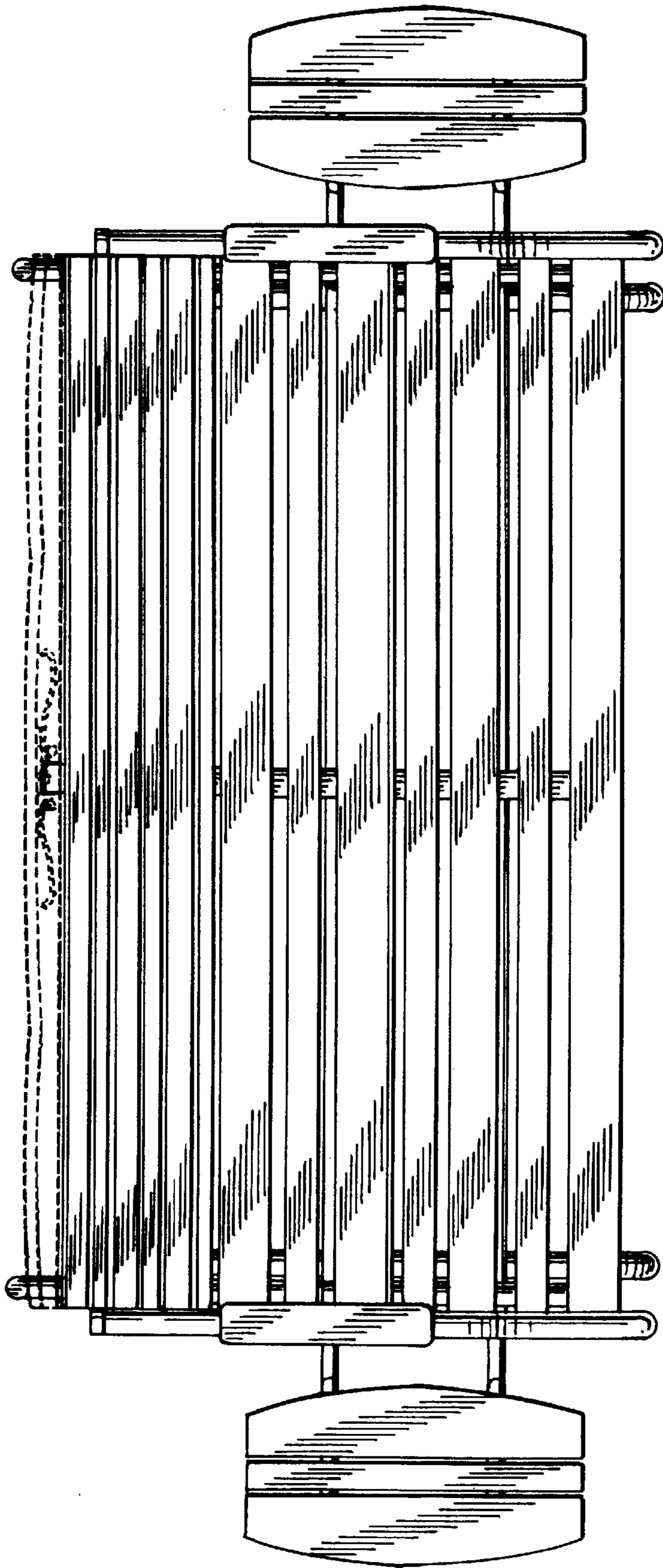


FIG. 5

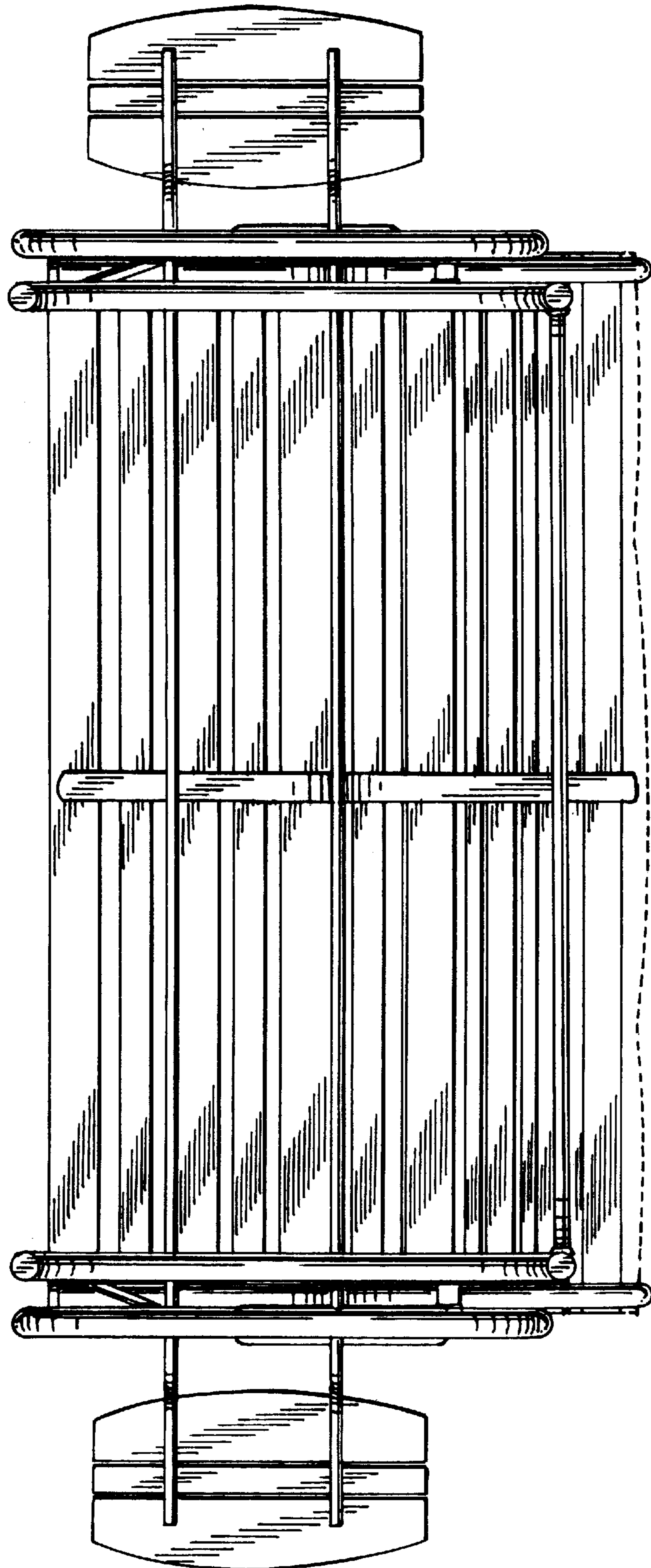


FIG. 6