



US00D400718S

United States Patent [19]
Bortolus

[11] **Patent Number: Des. 400,718**

[45] **Date of Patent: **Nov. 10, 1998**

[54] **SPRING FOR A CLIP HANGER**
[75] Inventor: **Robert Bortolus**, Victoria, Australia
[73] Assignee: **Spotless Plastics Pty. Ltd.**, Australia
[**] Term: **14 Years**
[21] Appl. No.: **47,227**
[22] Filed: **Nov. 29, 1995**
[51] **LOC (6) Cl.** **06-08**
[52] **U.S. Cl.** **D6/328**
[58] **Field of Search** D6/328; D8/395;
24/511; 223/90, 91, 93, 96, DIG. 2

4,194,274 3/1980 Garrison .
4,355,743 10/1982 Erthein 223/96
4,716,634 1/1988 Fan 223/91
5,075,935 12/1991 Abdi 24/511
5,082,153 1/1992 Duester et al. 223/90
5,361,948 11/1994 Batts 223/91

Primary Examiner—Raphael Barkai
Attorney, Agent, or Firm—Scully, Scott, Murphy & Presser

[57] **CLAIM**

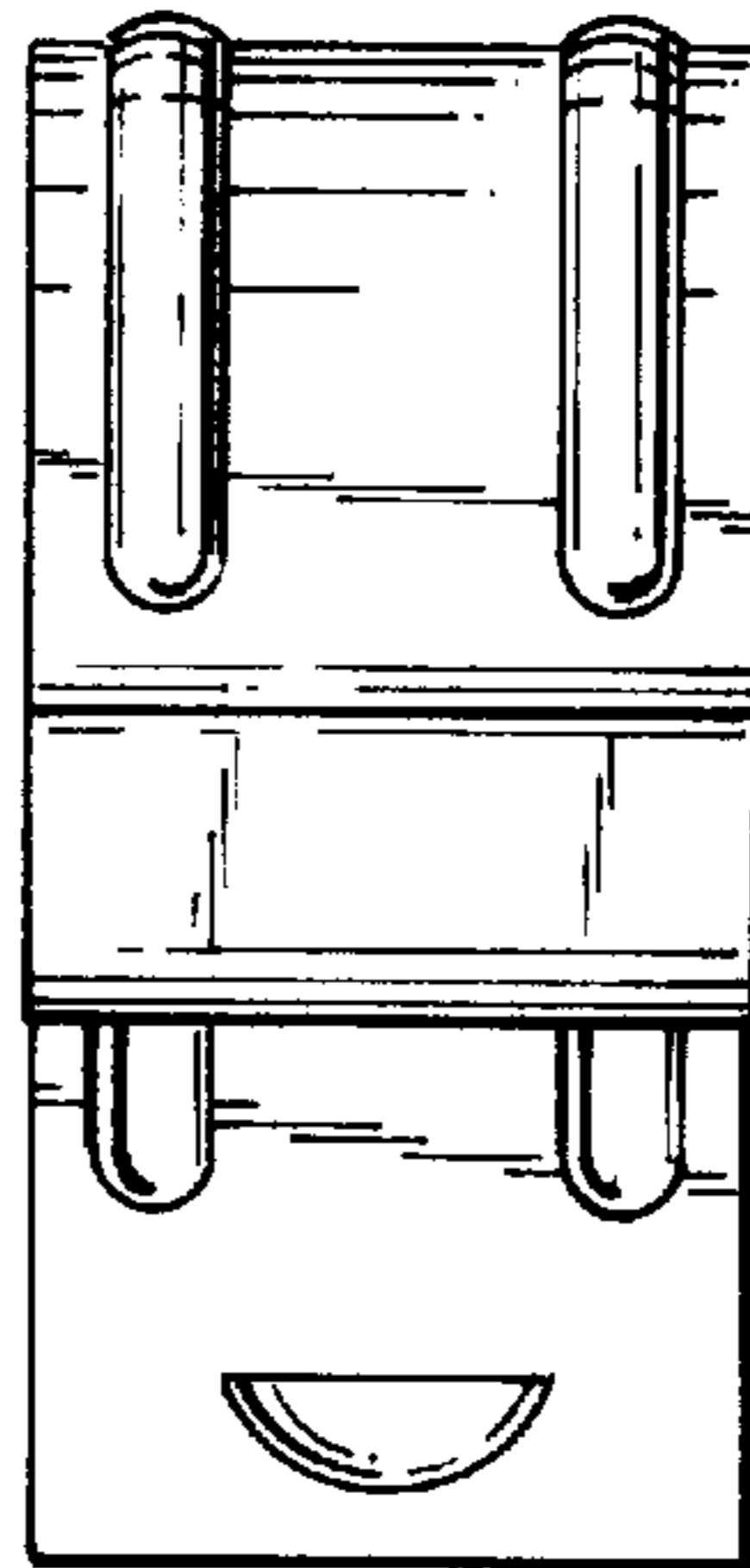
The ornamental design for a spring for a clip hanger, as shown and described.

DESCRIPTION

FIG. 1 is a front elevational view my new design;
FIG. 2 is a rear elevational view of FIG. 1;
FIG. 3 is a right end elevational view of FIG. 1;
FIG. 4 is a top plan view of FIG. 1; and,
FIG. 5 is a perspective view of my new design for a spring for a clip hanger.

[56] **References Cited**
U.S. PATENT DOCUMENTS
D. 116,438 8/1939 Wright D8/395
D. 337,893 8/1993 Norman D6/328
1,768,005 6/1930 Schwartzman 223/93
3,767,092 10/1973 Garrison et al. .

1 Claim, 1 Drawing Sheet



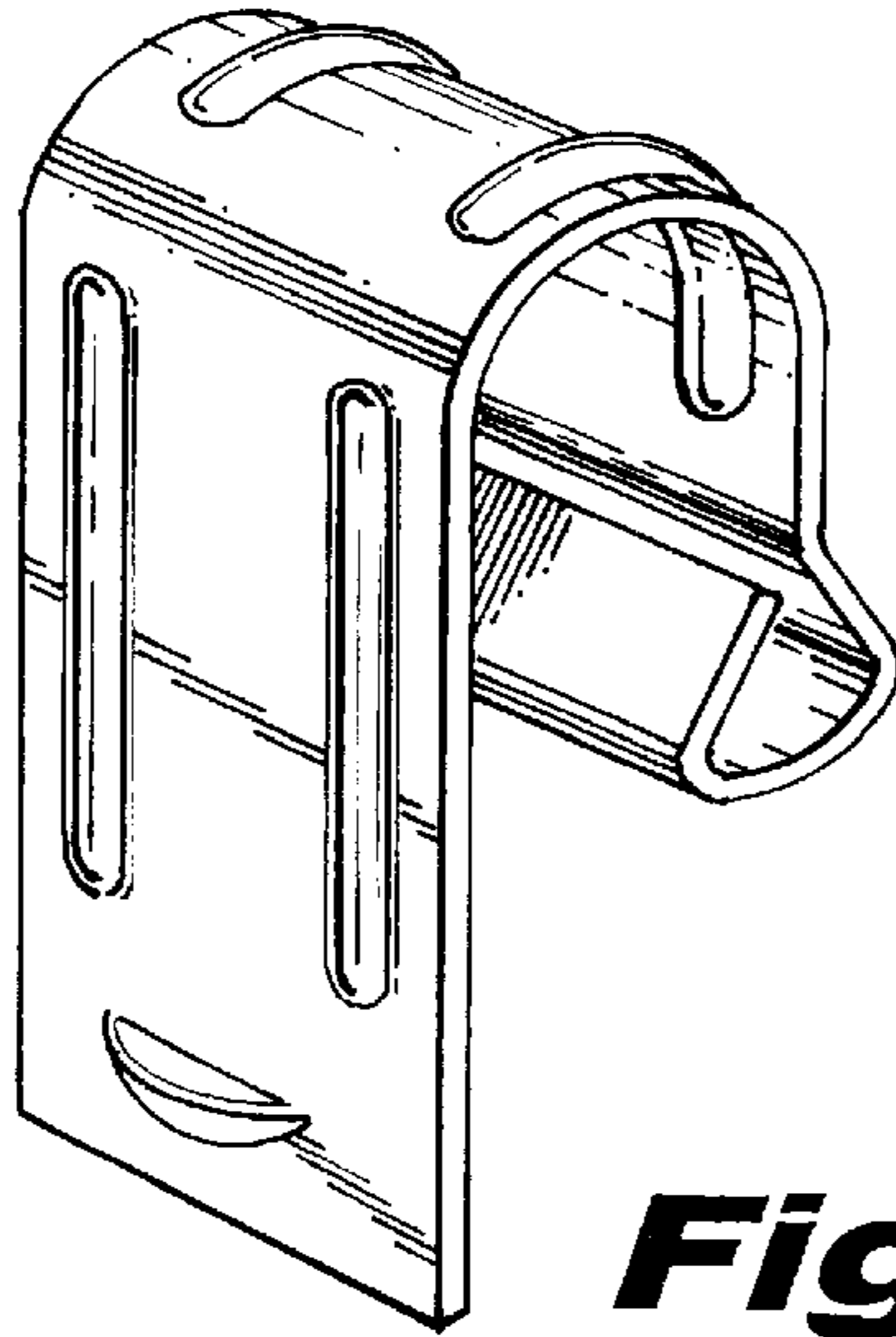


Fig. 5

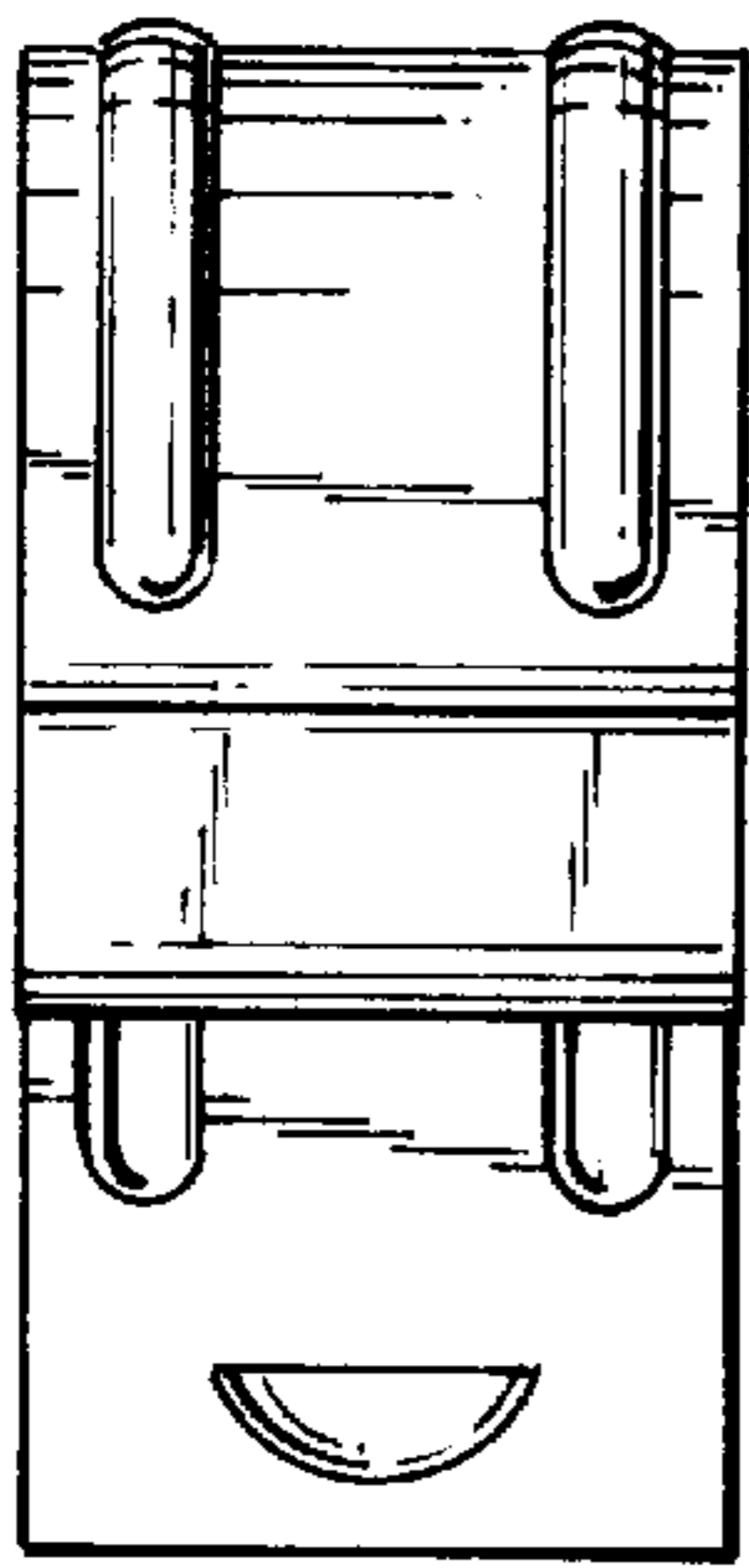


Fig. 1

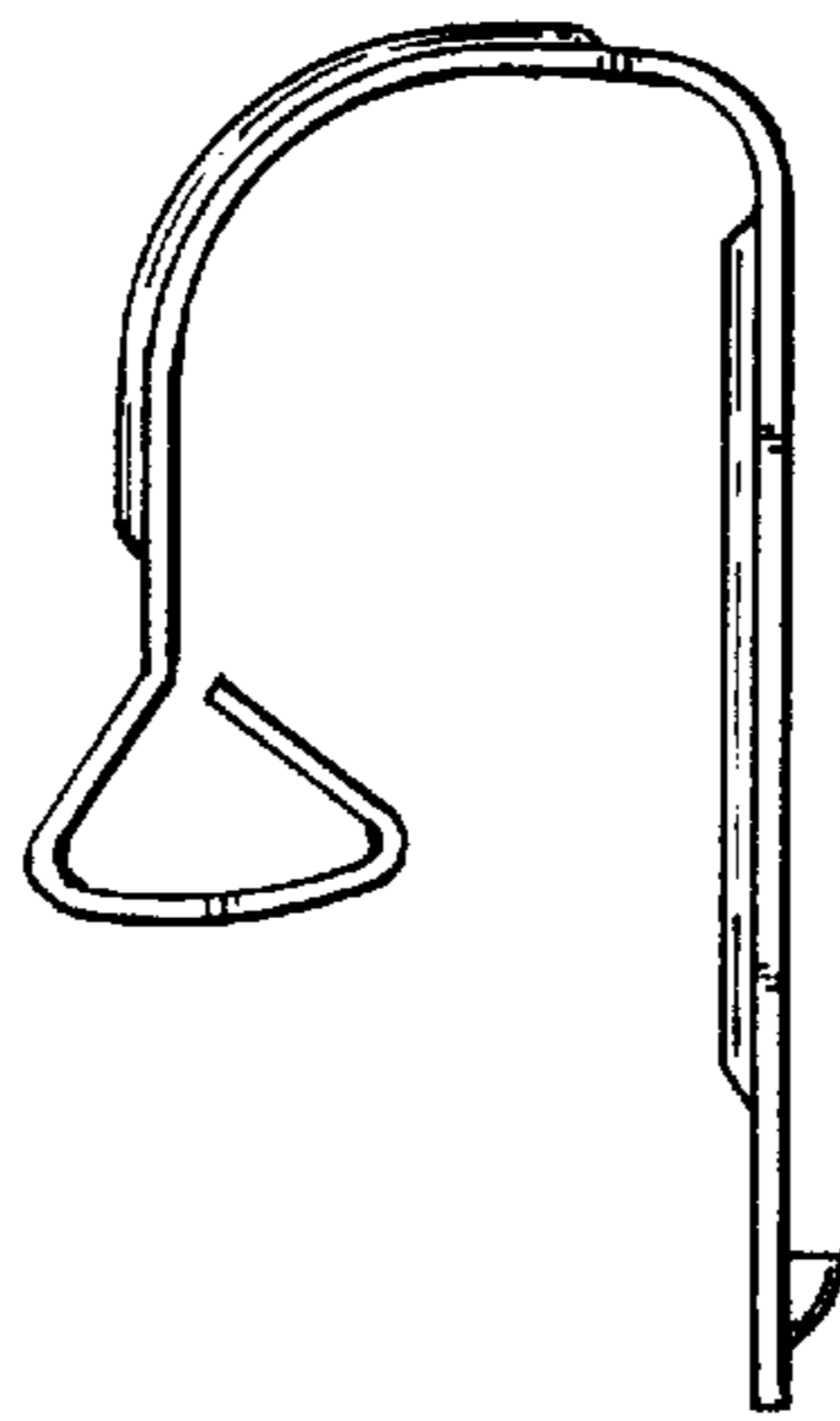


Fig. 3

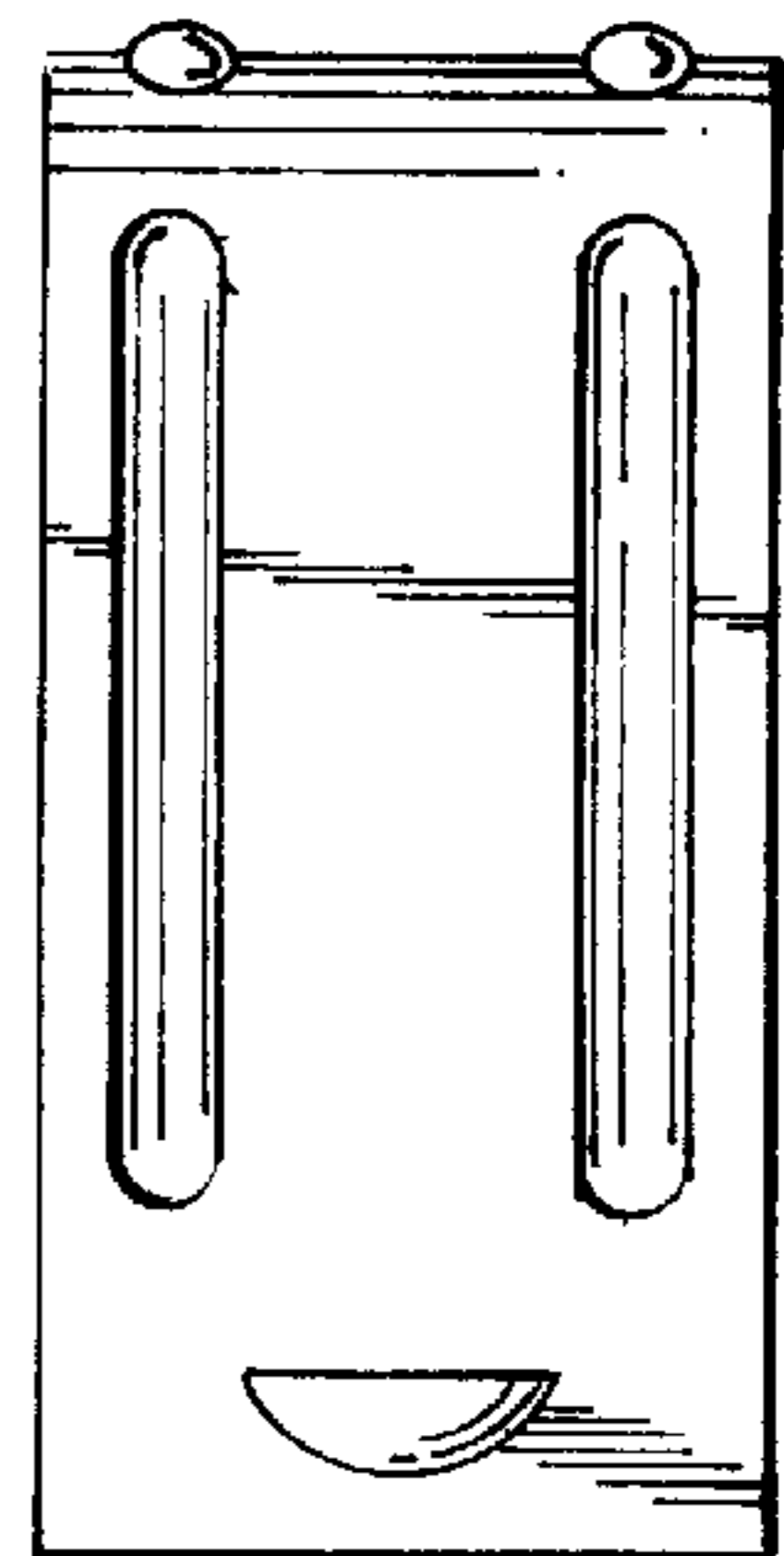


Fig. 2

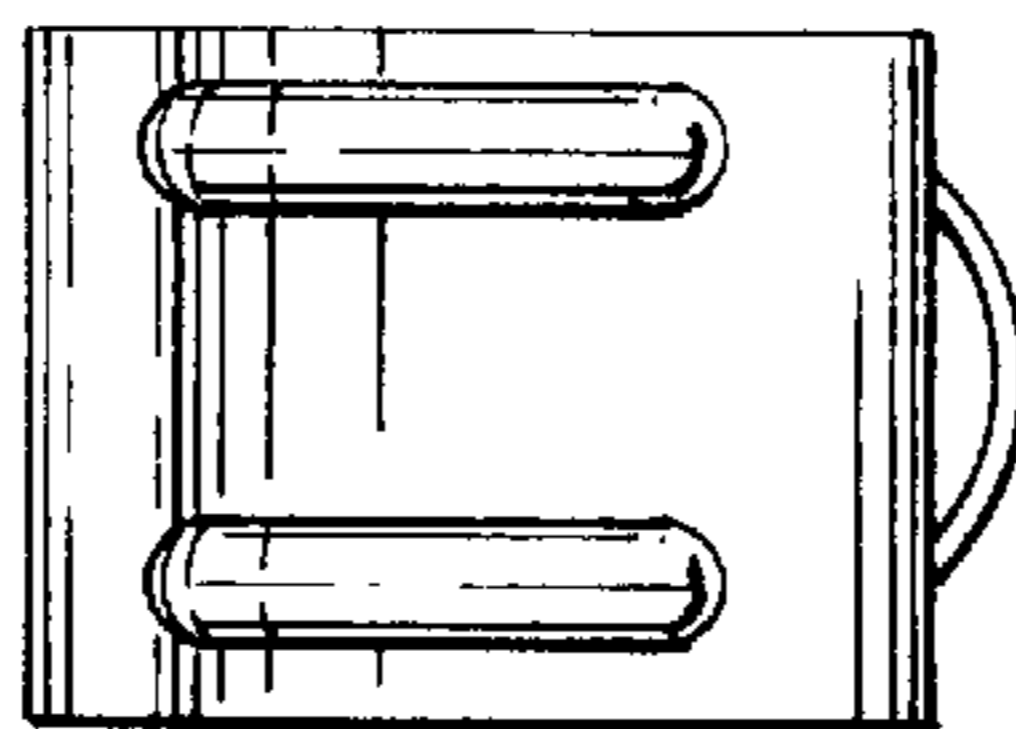


Fig. 4