



US00D400717S

United States Patent [19] Sprogis

[11] **Patent Number: Des. 400,717**

[45] **Date of Patent: **Nov. 10, 1998**

[54] **MAGNETIC PHOTO DISPLAY APPARATUS**

[76] **Inventor: Lynda M. Sprogis, J-47 Stedwick Dr., Budd Lake, N.J. 07828**

[**] **Term: 14 Years**

[21] **Appl. No.: 71,180**

[22] **Filed: May 22, 1997**

[51] **LOC (6) Cl. 06-07**

[52] **U.S. Cl. D6/300**

[58] **Field of Search D6/300-303, 308-314, D6/634, 635; 40/700, 711, 721-724, 730, 729, 765, 766, 779, 798, 466-468; D9/420**

[56] **References Cited**

U.S. PATENT DOCUMENTS

4,477,991	10/1984	Drevitch et al.	40/779
4,736,538	4/1988	Pierce et al.	40/779
4,947,565	8/1990	Shadwell	40/779

Primary Examiner—Janice E. Seeger

[57] **CLAIM**

The ornamental design for a magnetic photo display apparatus, as shown.

DESCRIPTION

FIG. 1 is a front plan view of the magnetic photo display apparatus of the present invention;
 FIG. 2 is a back plan view of the magnetic photo display apparatus of FIG. 1;
 FIG. 3 is a left side plan view of the magnetic photo display apparatus of FIG. 1;
 FIG. 4 is a right side plan view of the magnetic photo display apparatus of FIG. 1;
 FIG. 5 is a top plan view of the magnetic photo display apparatus of FIG. 1;
 FIG. 6 is a bottom plan view of the magnetic photo display apparatus of FIG. 1; and,
 FIG. 7 is a perspective view of the magnetic photo display apparatus of FIG. 1 in open condition.

1 Claim, 3 Drawing Sheets

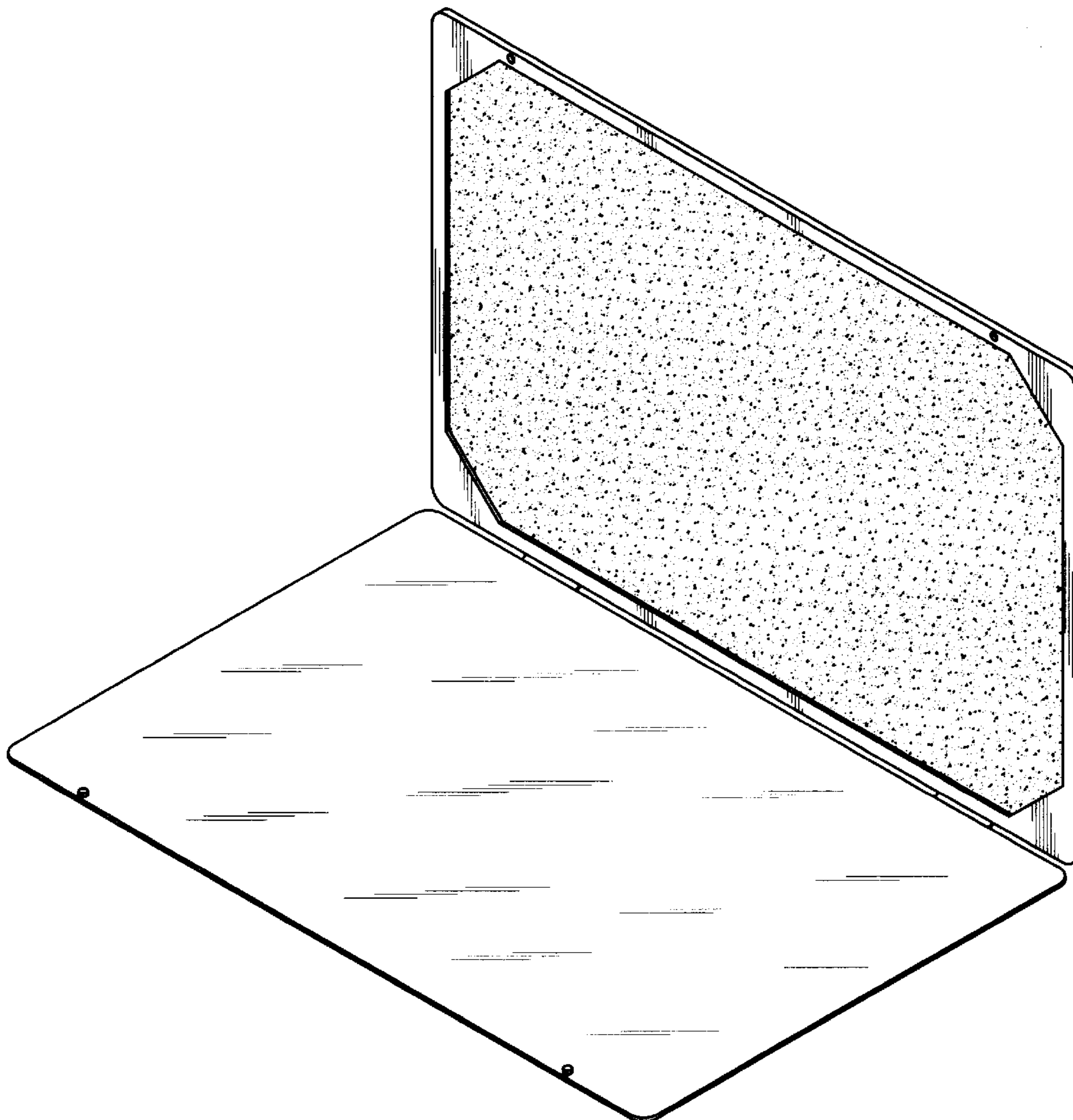


FIG. 1

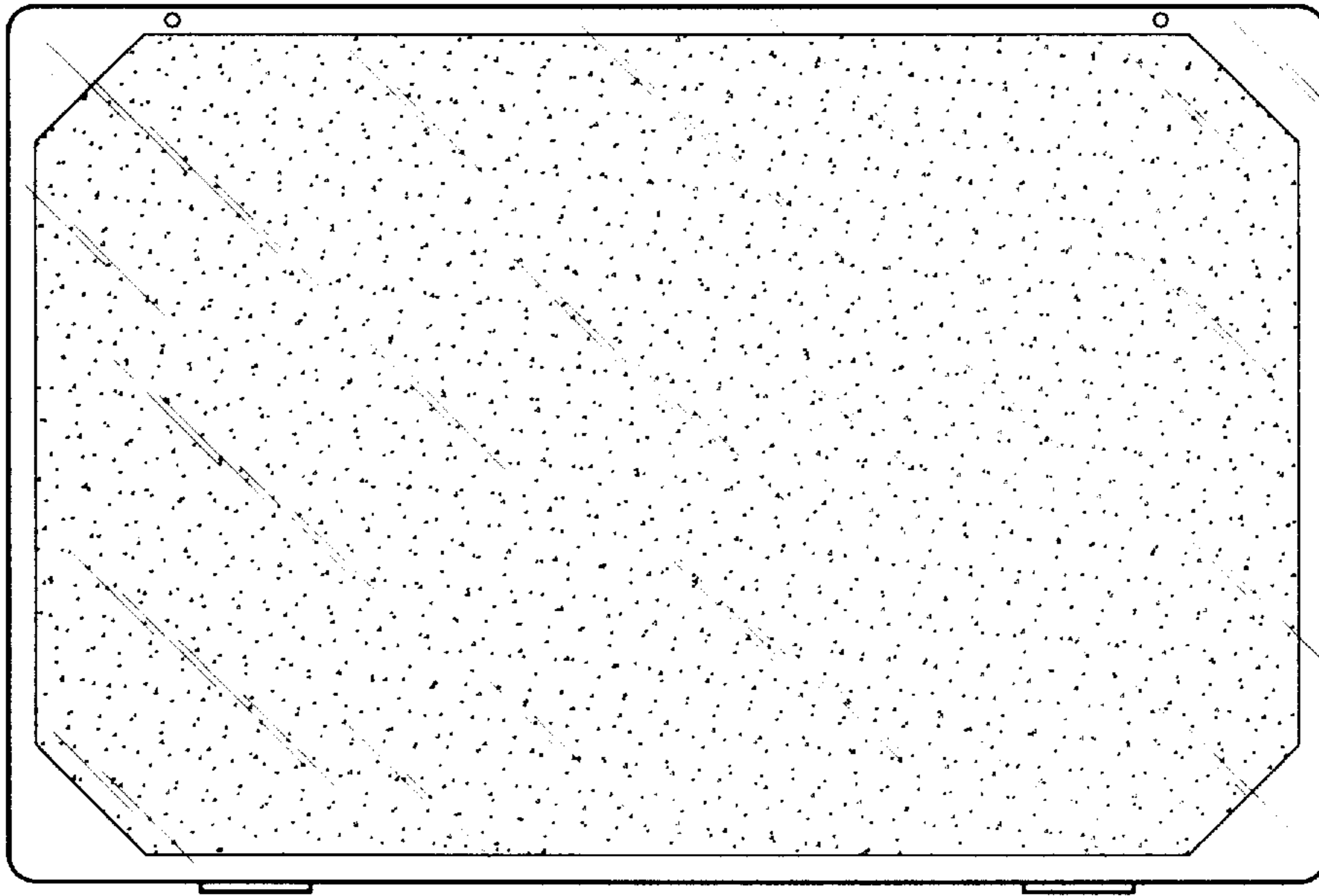


FIG. 2

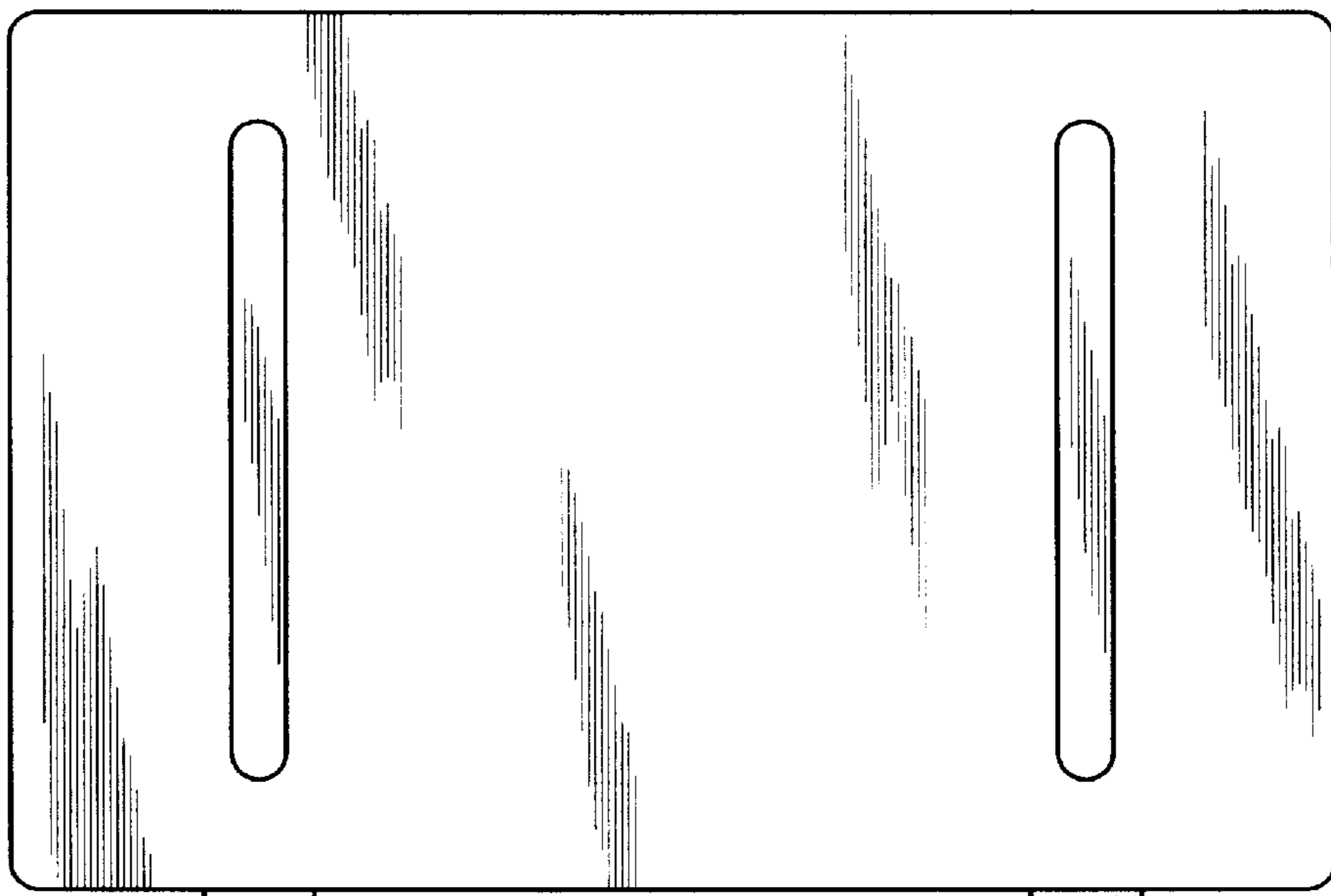


FIG. 3



FIG. 4



FIG. 5



FIG. 6

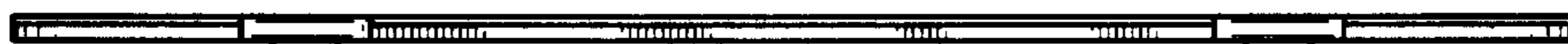


FIG. 7

