



US00D400715S

United States Patent [19]

Brorsson et al.

[11] Patent Number: **Des. 400,715**

[45] Date of Patent: ****Nov. 10, 1998**

[54] AUDIO CONNECTOR

[75] Inventors: **Lena Charlott Brorsson**, Lund; **Jan Gustav Atterklint**, Skärholmen; **Sven Ingvar Sjöqvist**, Tullinge, all of Sweden; **Jacobus Nicolaas Tuin**, Best, Netherlands; **Carl-Magnus Hansson**, Lund, Sweden

[73] Assignee: **Telefonaktiebolaget LM Ericsson**, Stockholm, Sweden

[**] Term: **14 Years**

[21] Appl. No.: **60,687**

[22] Filed: **Oct. 4, 1996**

[30] Foreign Application Priority Data

Apr. 4, 1996 [SE] Sweden 96-0772

[51] LOC (6) Cl. **13-03**

[52] U.S. Cl. **D13/147**

[58] Field of Search D13/133, 146, D13/147; 439/133, 135, 600, 607-610, 655, 668, 687, 692, 694, 696, 357, 344

[56] References Cited

U.S. PATENT DOCUMENTS

3,015,877	1/1962	Francis	439/694 X
4,838,808	6/1989	Fujiura	439/357
5,360,351	11/1994	Periou et al.	439/357
5,417,593	5/1995	Suzuki et al.	439/607 X

Primary Examiner—Alan P. Douglas
Assistant Examiner—Lavone D. Tabor
Attorney, Agent, or Firm—Burns, Doane, Swecker & Mathis, L.L.P.

[57] CLAIM

The ornamental design for a audio connector, as shown and described.

DESCRIPTION

FIG. 1 is a front, top perspective view of an audio connector showing our new design; FIG. 2 is a rear, bottom, perspective view thereof; FIG. 3 is perspective view like FIG. 1 but with the locking spring removed for clarity of illustration only; and, FIG. 4 is a rear, bottom perspective view of FIG. 3.

1 Claim, 2 Drawing Sheets

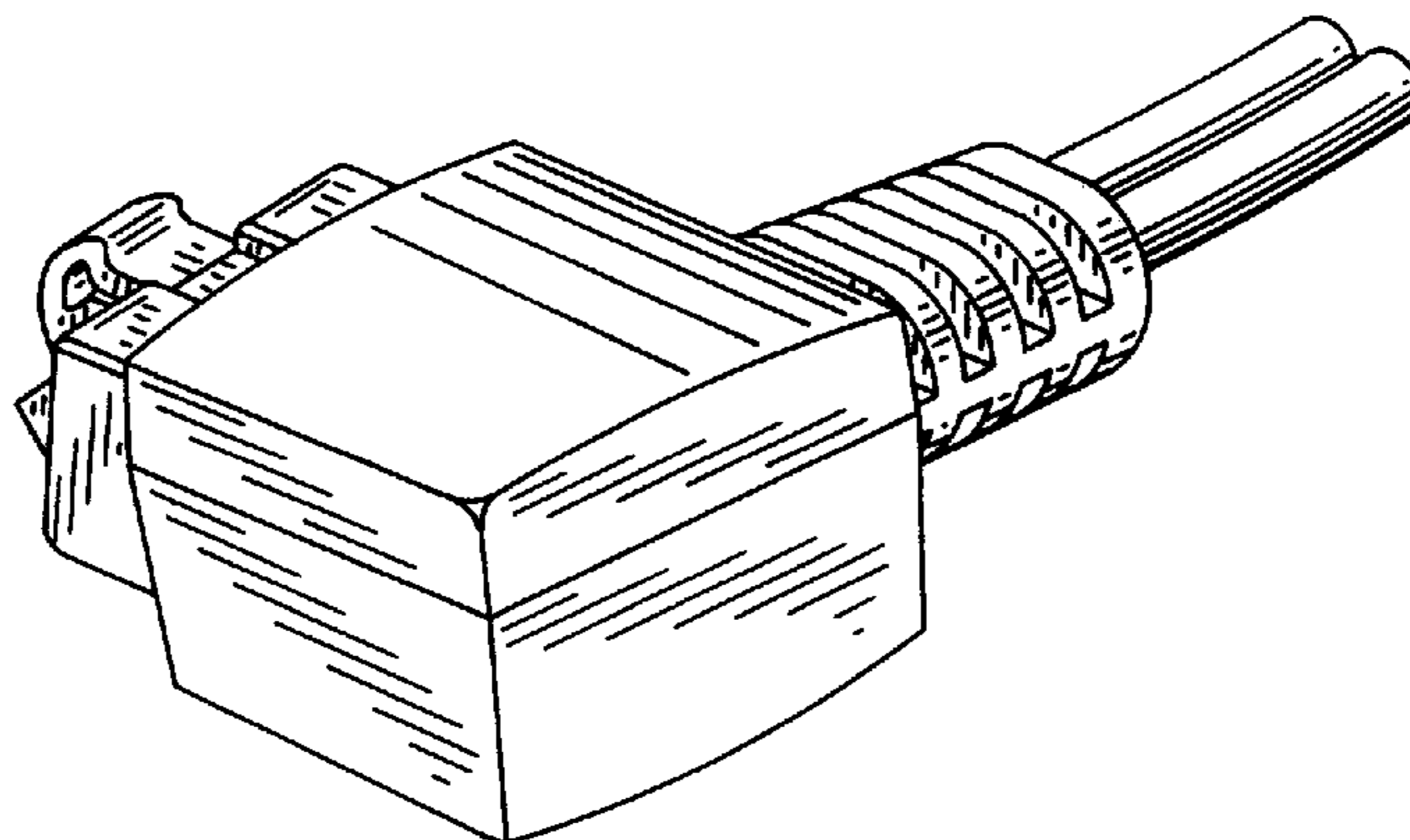
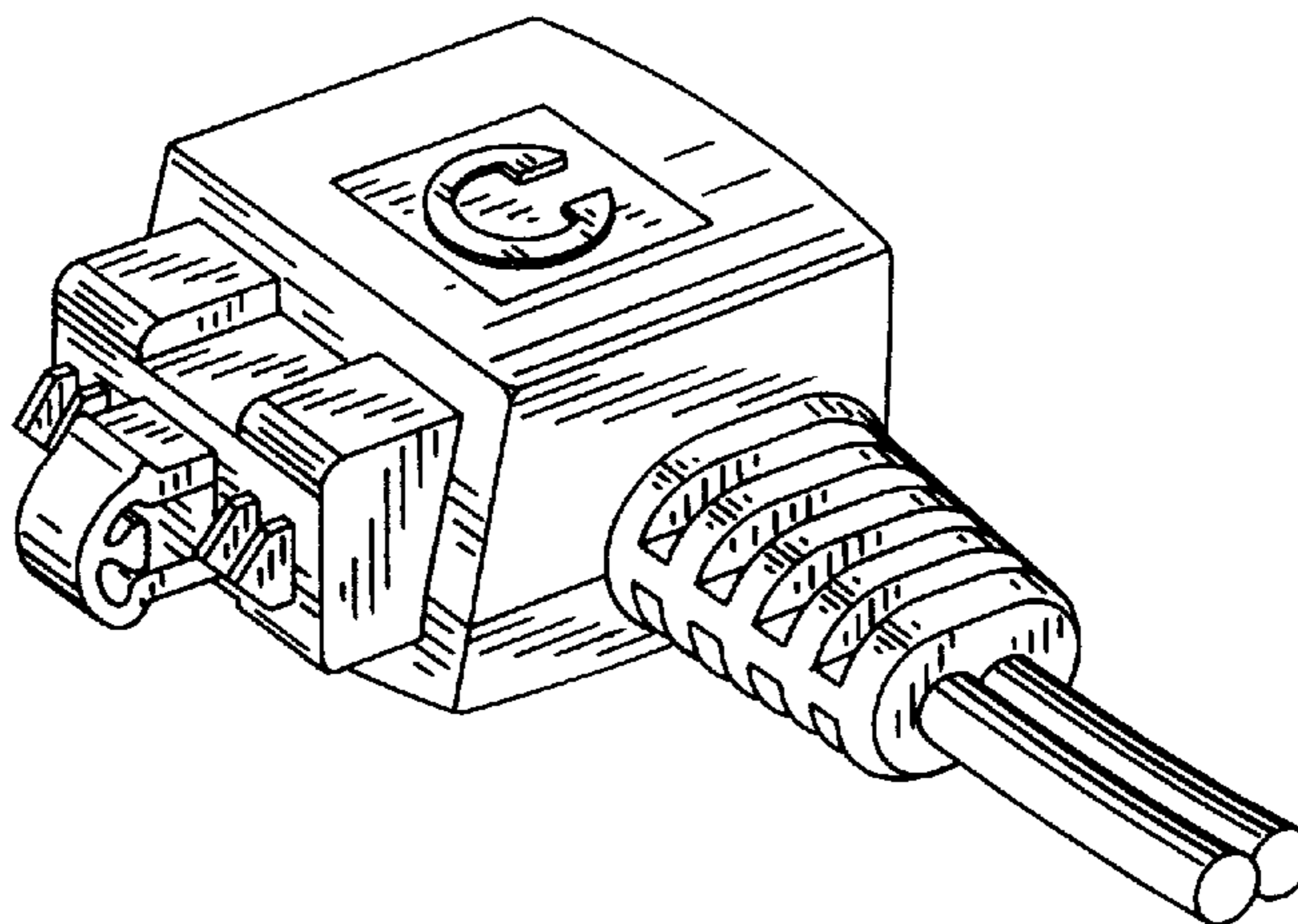


FIG. 1

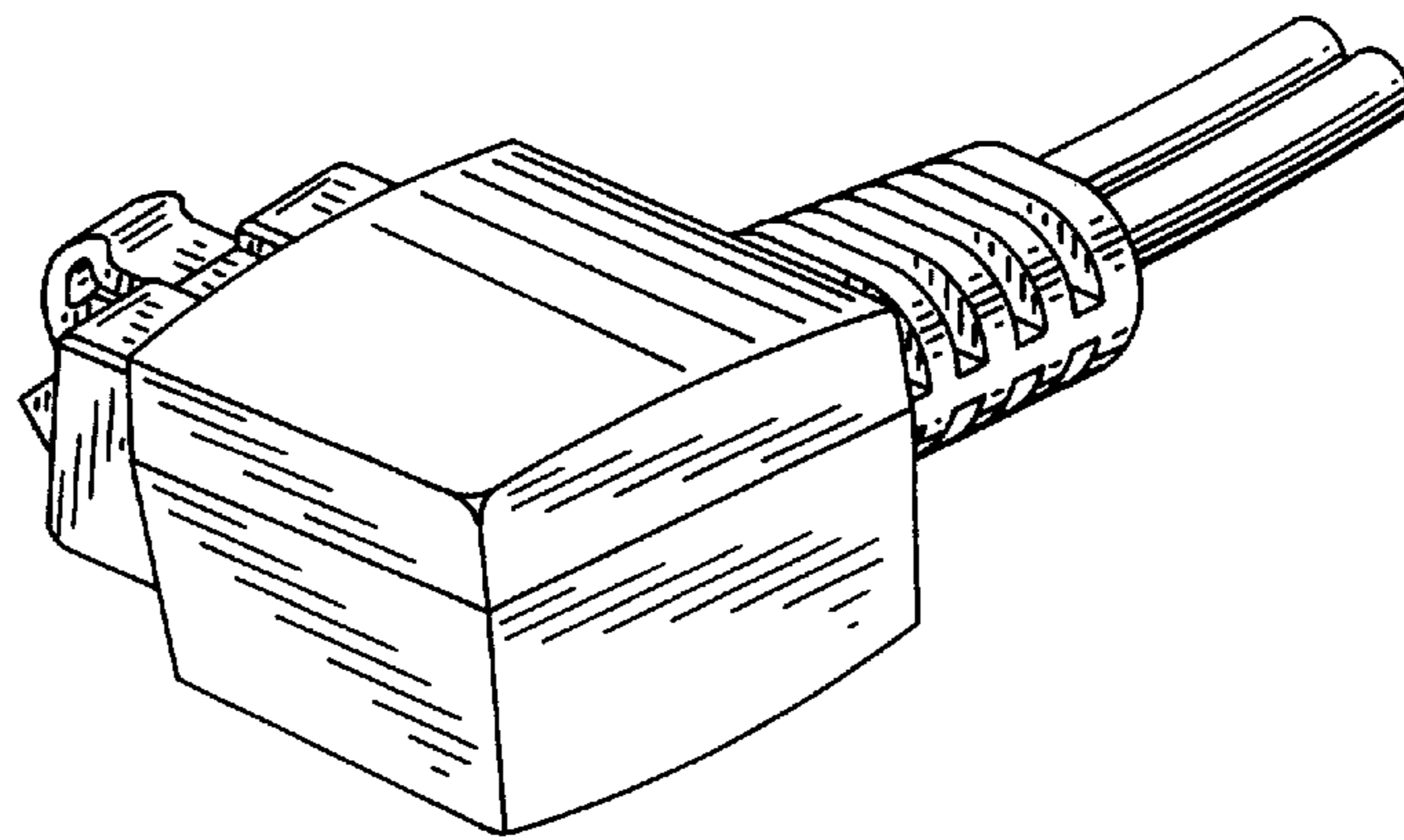
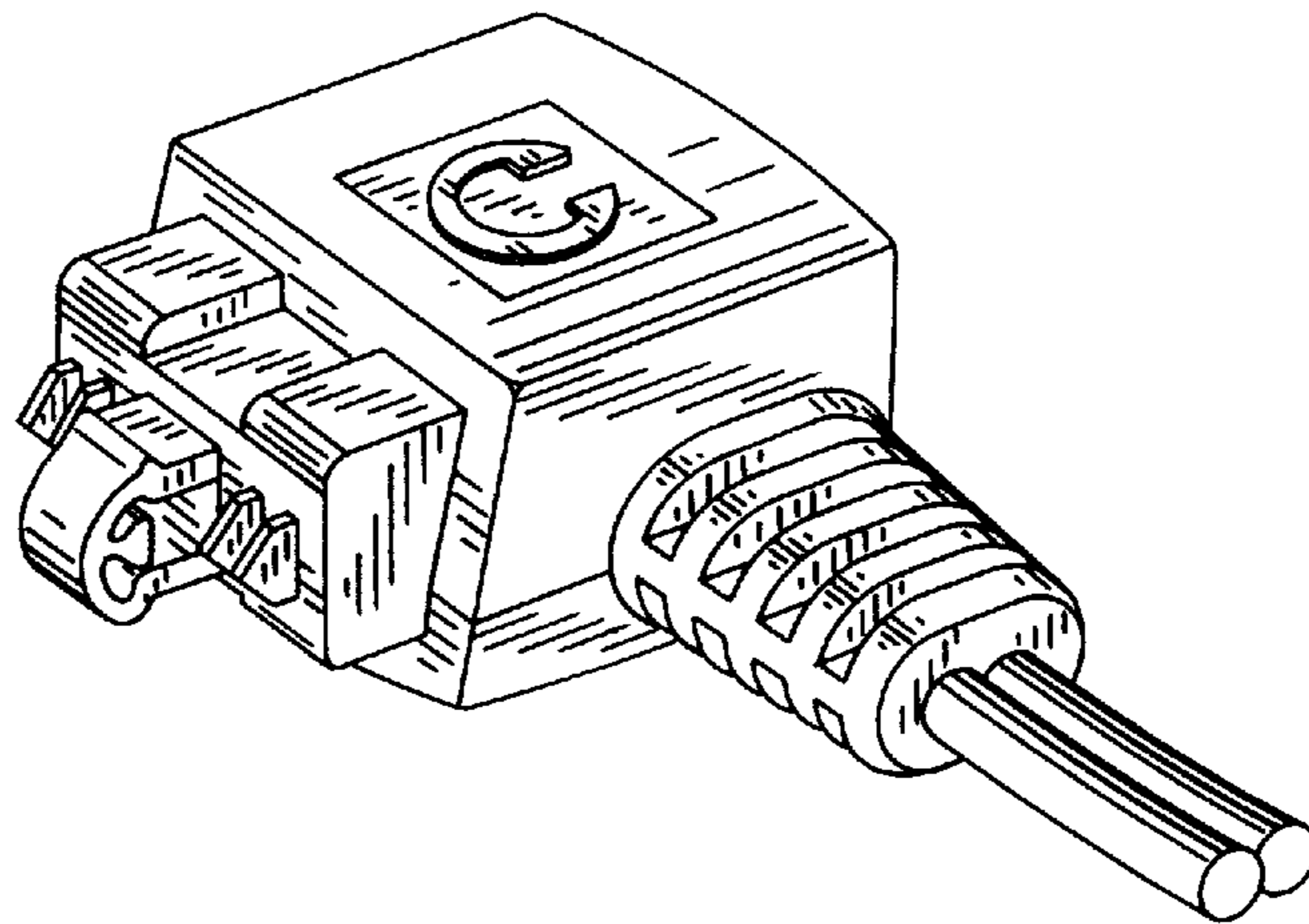


FIG. 2

FIG. 3

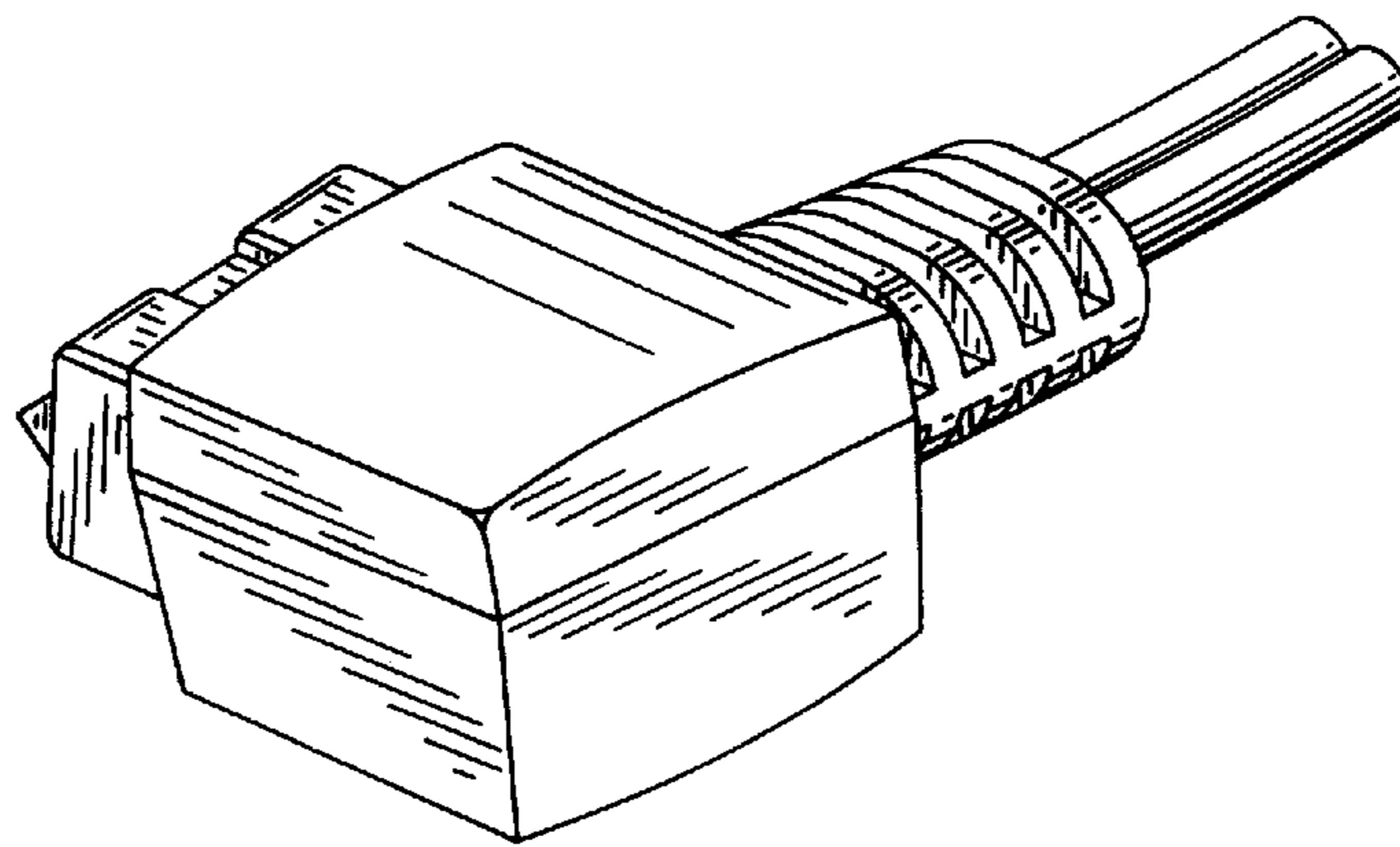
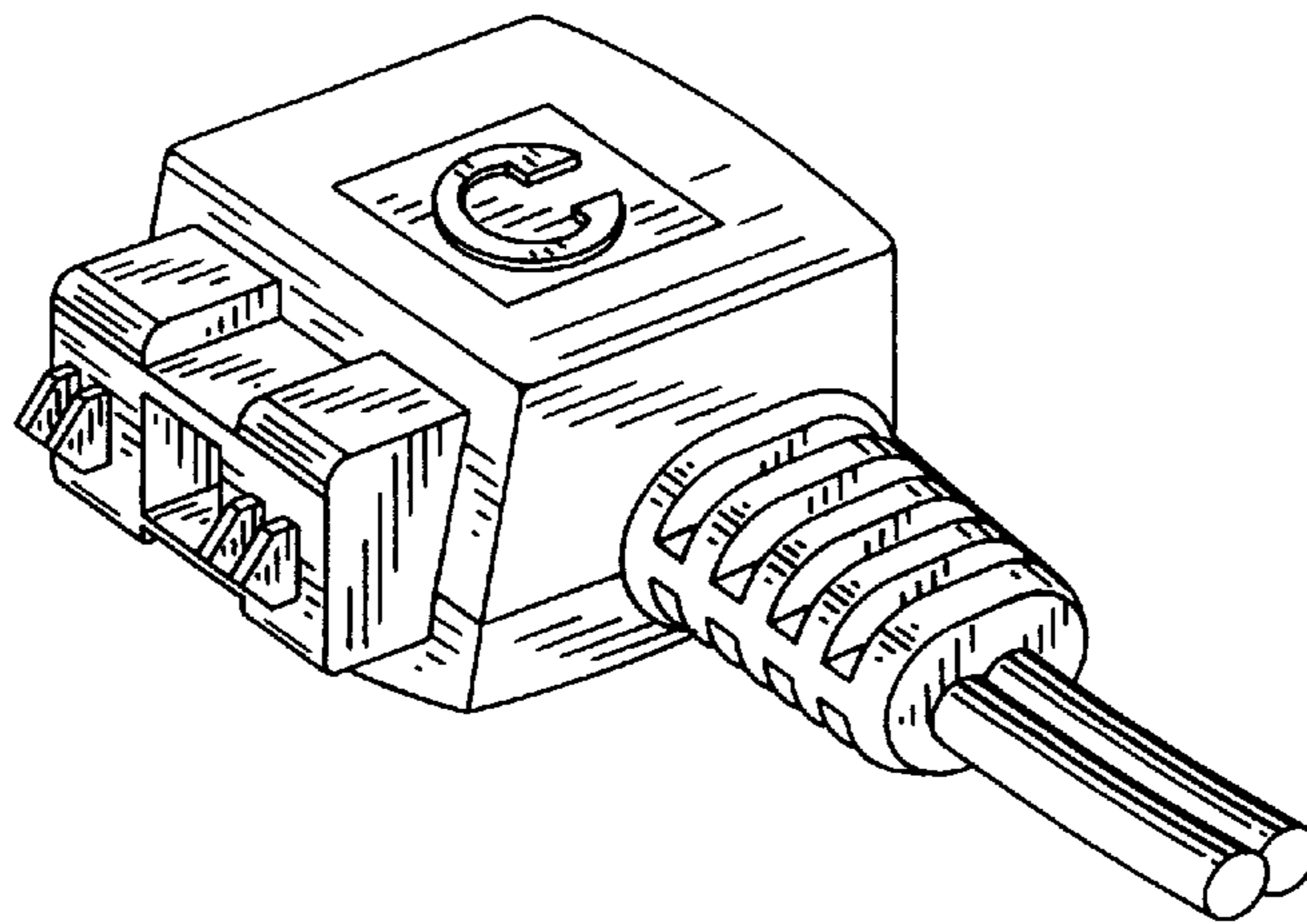


FIG. 4