



US00D400712S

United States Patent [19]
Hampshire

[11] **Patent Number: Des. 400,712**

[45] **Date of Patent: **Nov. 10, 1998**

[54] **CARRIER**

[75] Inventor: **James Hampshire**, Solon, Ohio

[73] Assignee: **InterDesign, Inc.**, Solon, Ohio

[**] Term: **14 Years**

[21] Appl. No.: **74,606**

[22] Filed: **Aug. 5, 1997**

[51] **LOC (6) Cl.** **03-01**

[52] **U.S. Cl.** **D3/309**

[58] **Field of Search** D3/304, 307-315;
D9/428; D28/61, 73, 76; 206/515, 557;
220/676, 771

[56] **References Cited**

U.S. PATENT DOCUMENTS

D. 142,783	11/1945	Jacobson	D3/309
D. 235,488	6/1975	Swalm	D3/309
D. 307,967	5/1990	Lanius	D3/309
D. 347,514	5/1994	Yoshikawa	D3/308

D. 347,942	6/1994	Gilbert et al.	D3/308
D. 352,605	11/1994	Tiramani	D3/308
D. 386,616	11/1997	Nimer	D3/308

Primary Examiner—Ted Shooman
Assistant Examiner—Richelle Shelton
Attorney, Agent, or Firm—D. Peter Hochberg

[57] **CLAIM**

The ornamental design for a carrier, is as shown and described.

DESCRIPTION

FIG. 1 is a perspective view of a carrier embodying my new invention;

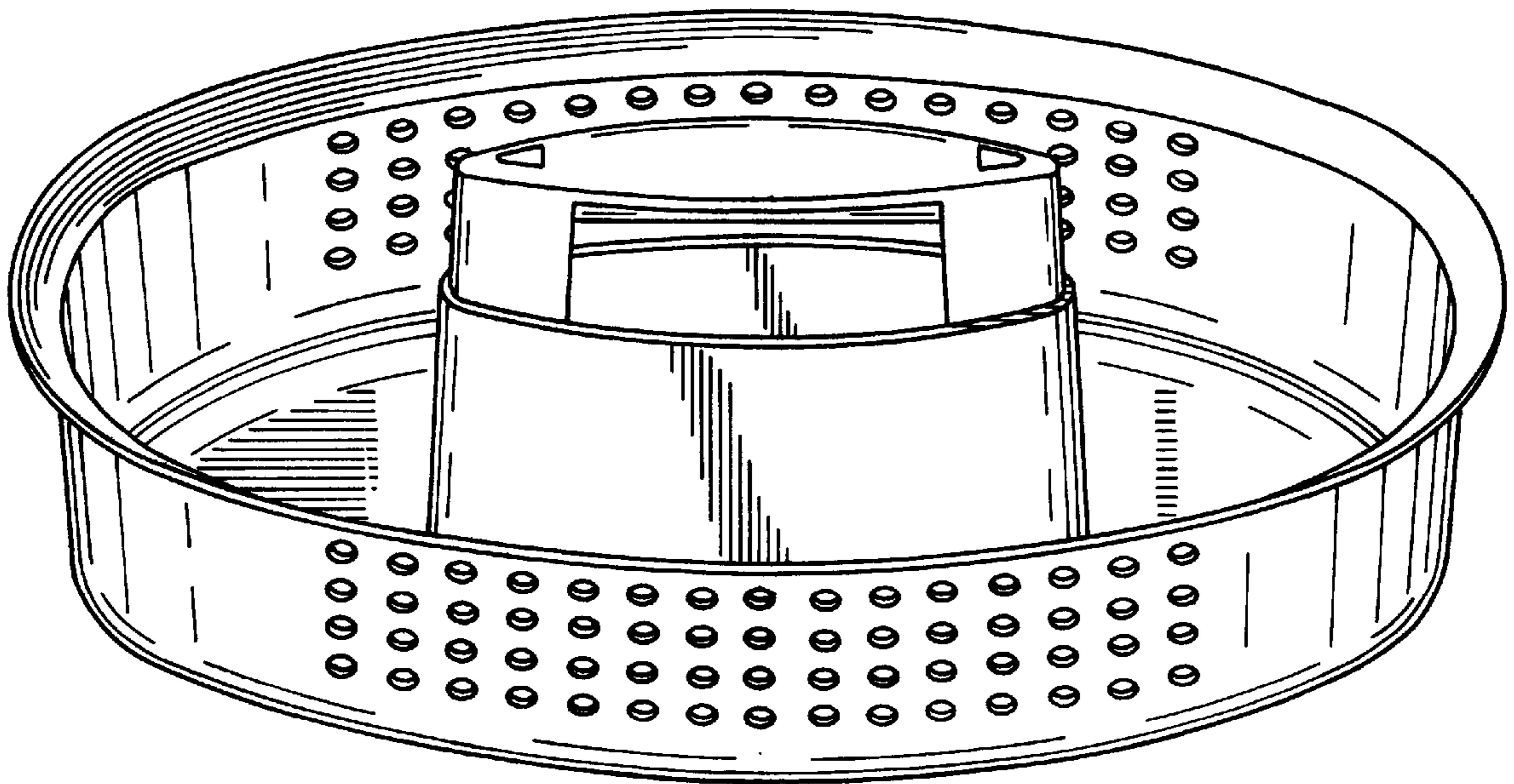
FIG. 2 is a top view of the carrier shown in FIG. 1;

FIG. 3 is a side view of the carrier shown in FIG. 1, both sides being the same;

FIG. 4 is a bottom view of the carrier shown in FIG. 1; and,

FIG. 5 is an end view of the carrier shown in FIG. 1, both ends being the same.

1 Claim, 3 Drawing Sheets



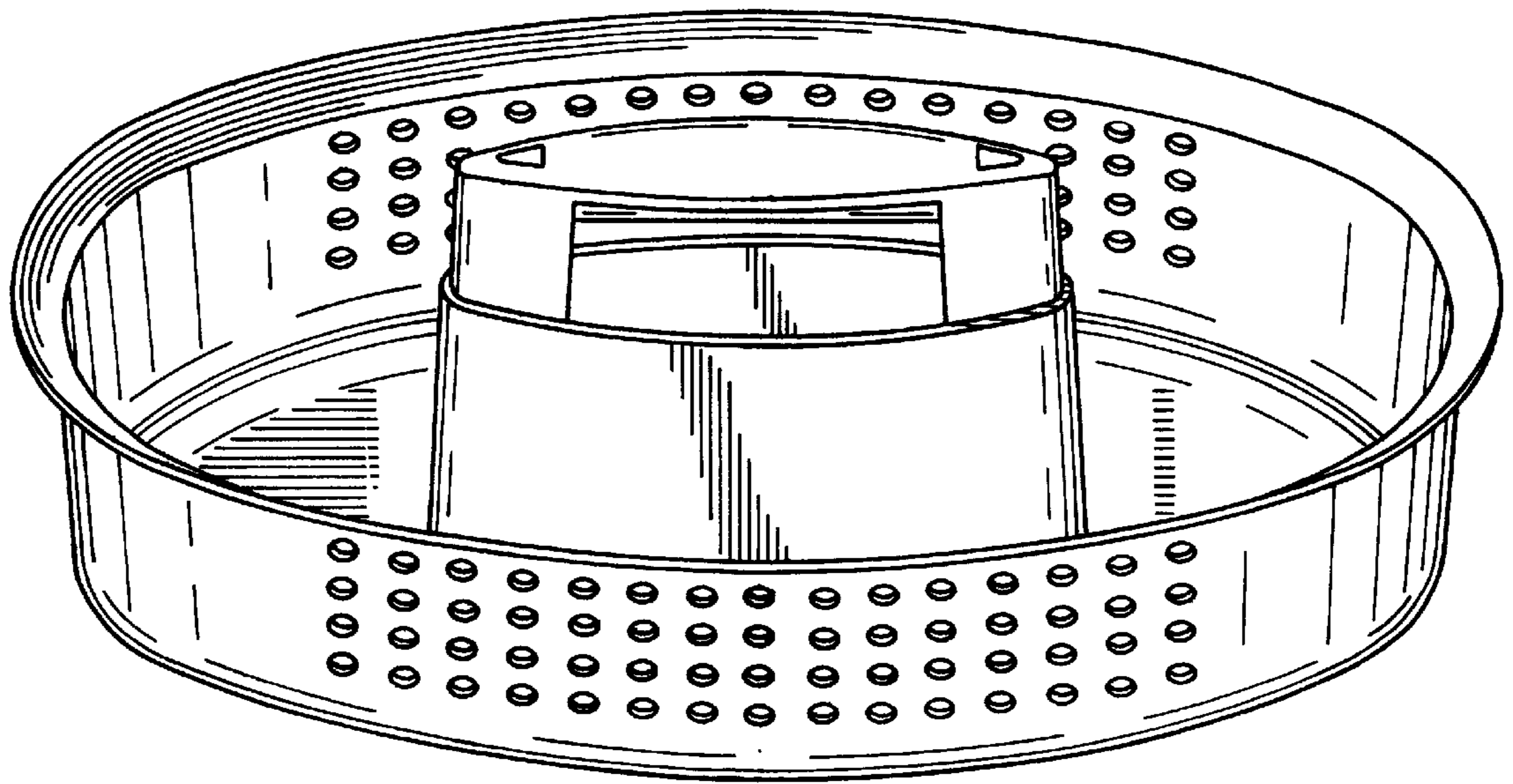


FIG. 1

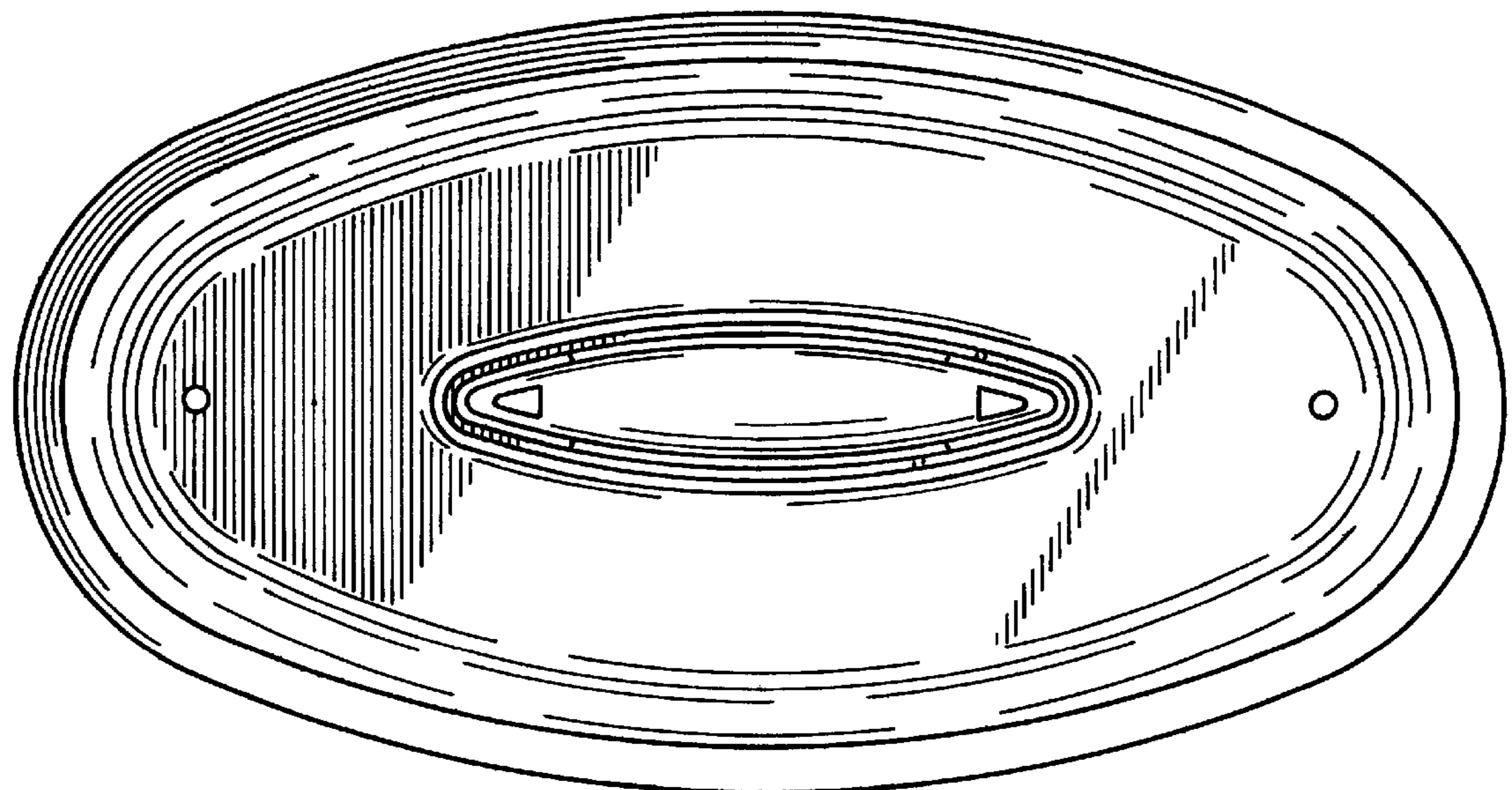


FIG. 2

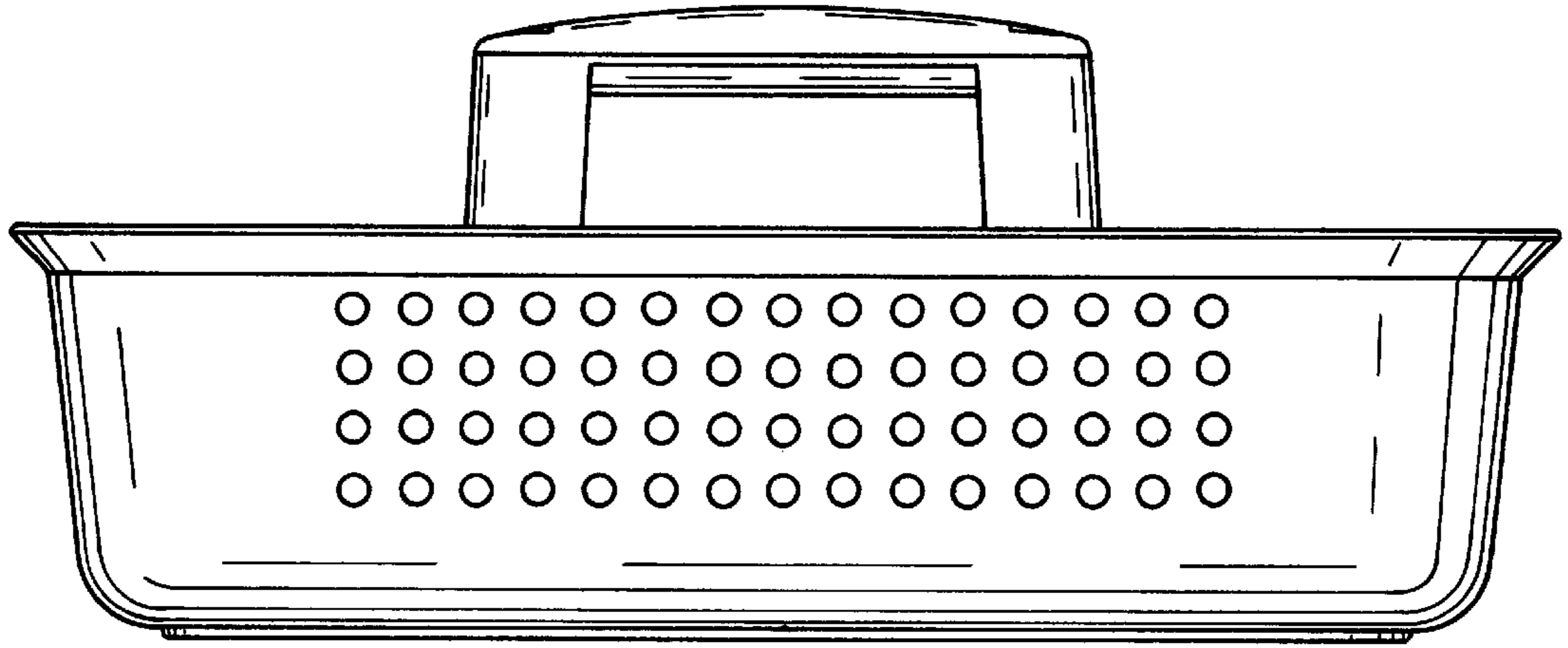


FIG. 3

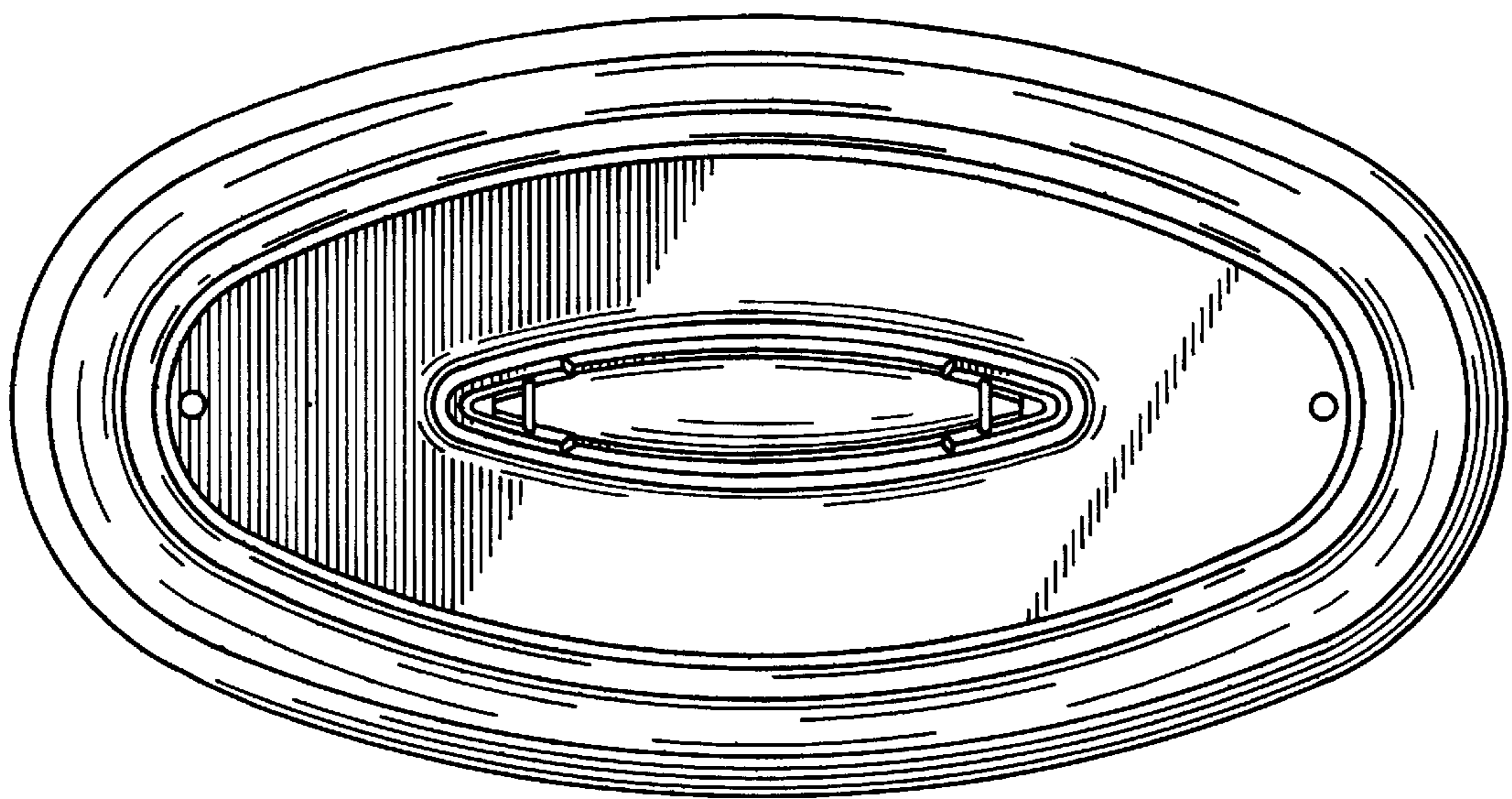


FIG. 4

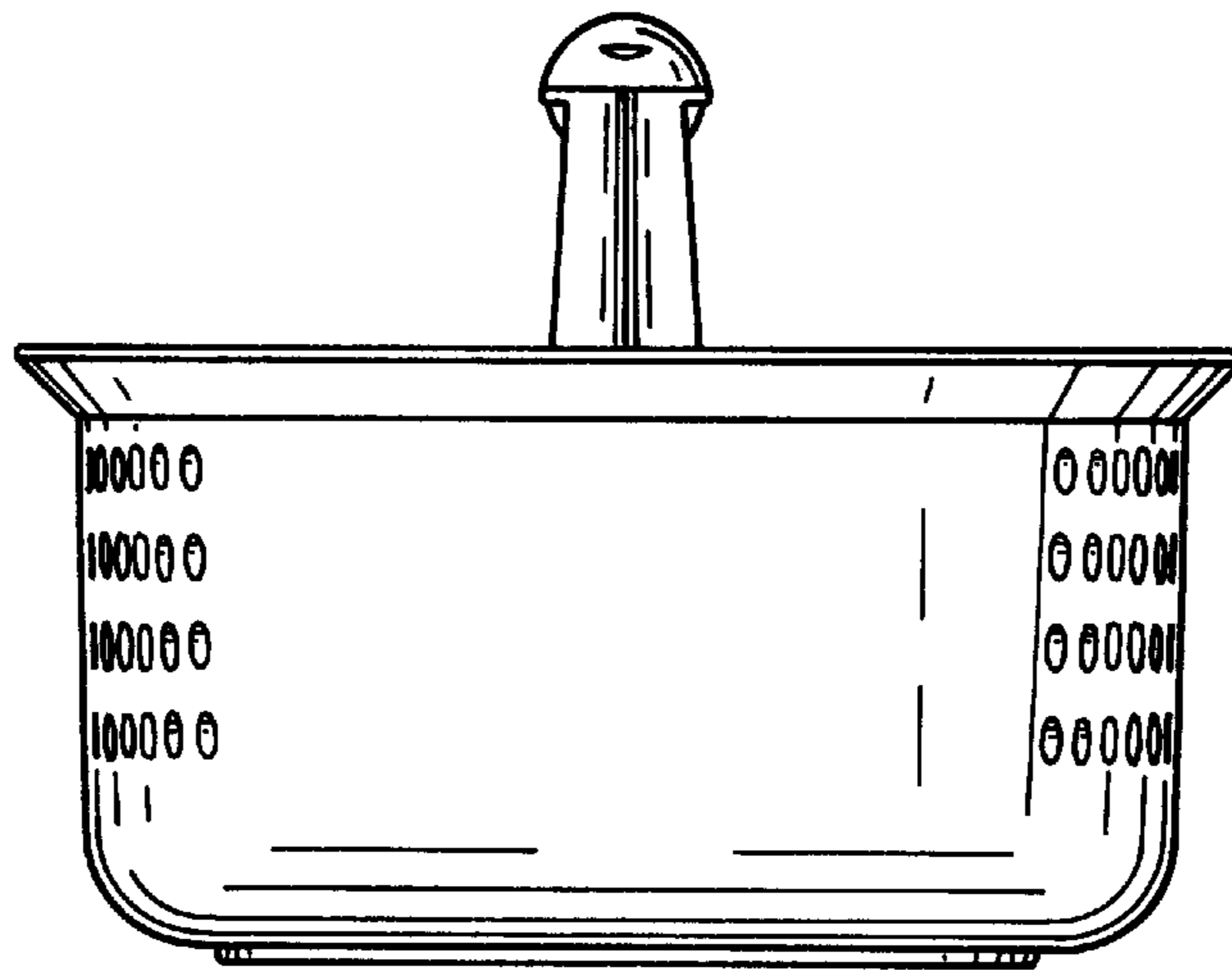


FIG. 5