



US00D400709S

# United States Patent [19] Chang

[11] Patent Number: Des. 400,709

[45] Date of Patent: \*\*Nov. 10, 1998

[54] TOOL HOLDER

5,133,455 7/1992 Chow ..... 203/373

[76] Inventor: **Chi Hsiung Chang**, No. 20, Avenue 16,  
Lane 296, Peng Yii Road, Tai Ping City,  
Taichung Hsien, Taiwan

*Primary Examiner*—Philip S. Hyder

[\*\*] Term: **14 Years**

[57] CLAIM

The ornamental design for a tool holder, as shown and described.

[21] Appl. No.: **76,319**

### DESCRIPTION

[22] Filed: **Jul. 17, 1997**

FIG. 1 is a perspective view of a tool holder showing my new design;

[51] LOC (6) Cl. .... **03-01**

FIG. 2 is a front elevational view thereof, the rear view being a mirror image;

[52] U.S. Cl. .... **D3/294; D3/905; D3/415**

FIG. 3 is a top plan view thereof;

[58] Field of Search ..... D3/273, 294, 295,  
D3/905; D9/415; 206/349, 372, 373, 378,  
379

FIG. 4 is a bottom plan view thereof;

FIG. 5 is a left side elevational view thereof;

### [56] References Cited

#### U.S. PATENT DOCUMENTS

D. 258,705	3/1981	Wheeler	.....	D3/295
D. 317,867	7/1991	Platte et al.	.....	D9/415
D. 323,936	2/1992	Feng	.....	D3/905
D. 334,534	4/1993	Friz et al.	.....	D9/415
D. 351,546	10/1994	Li	.....	D3/905
D. 370,781	6/1996	Vasudeva	.....	D3/295
D. 378,634	4/1997	Lapere	.....	D3/269
4,260,057	4/1981	Wall-Andersen	.....	206/379
4,619,364	10/1986	Czopor, Jr.	.....	206/379

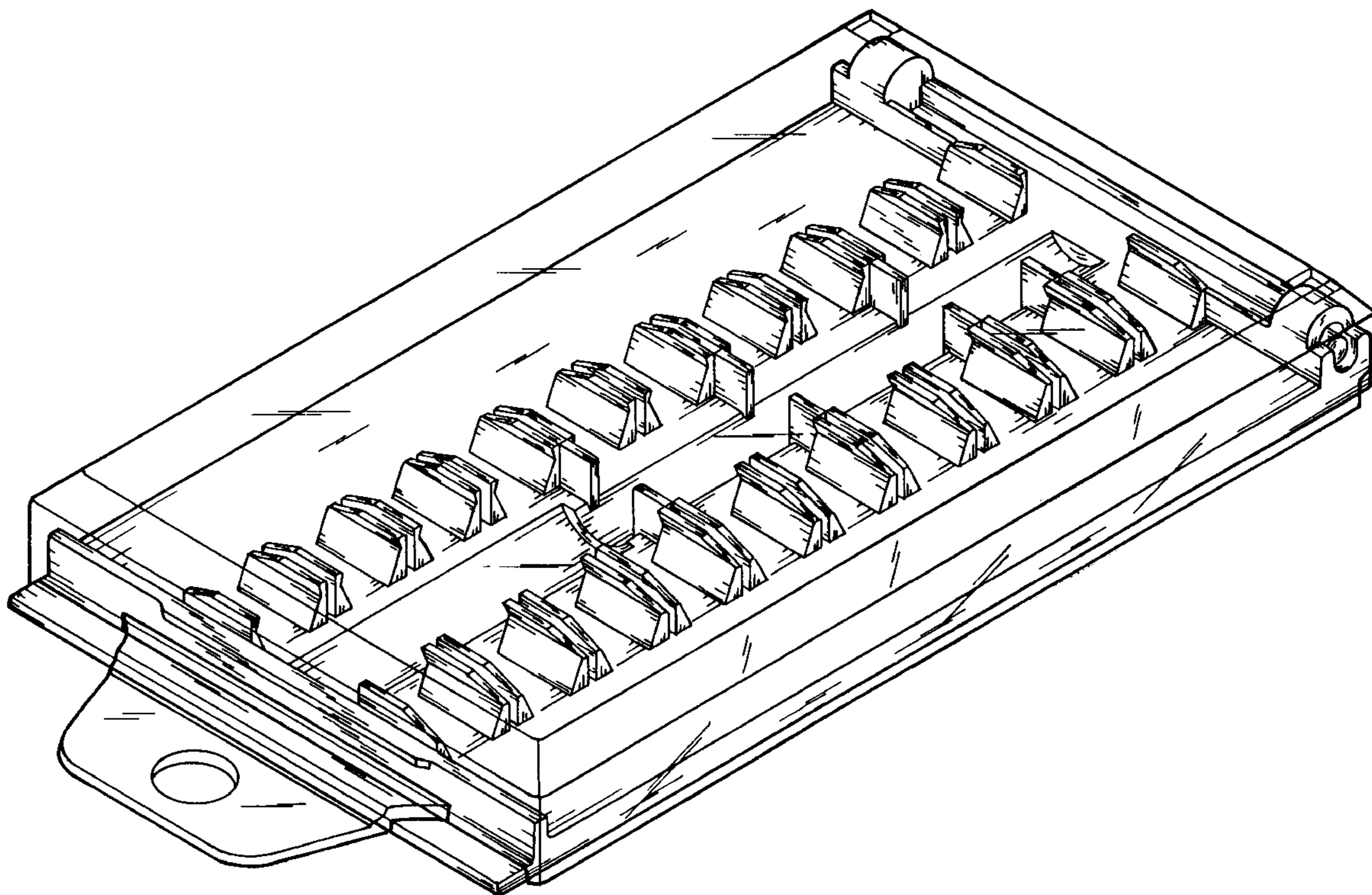
FIG. 6 is a right side elevational view thereof; and,

FIG. 7 is a top plan view thereof, wherein the broken portions of the view are for illustrative purposes only and form no part of the claimed design;

FIG. 8 is a top plan view thereof, wherein the broken portions of the view are for illustrative purposes only and form no part of the claimed design; and,

FIG. 9 is a top plan view thereof, wherein the broken portions of the view are for illustrative purposes only and form no part of the claimed design.

**1 Claim, 7 Drawing Sheets**



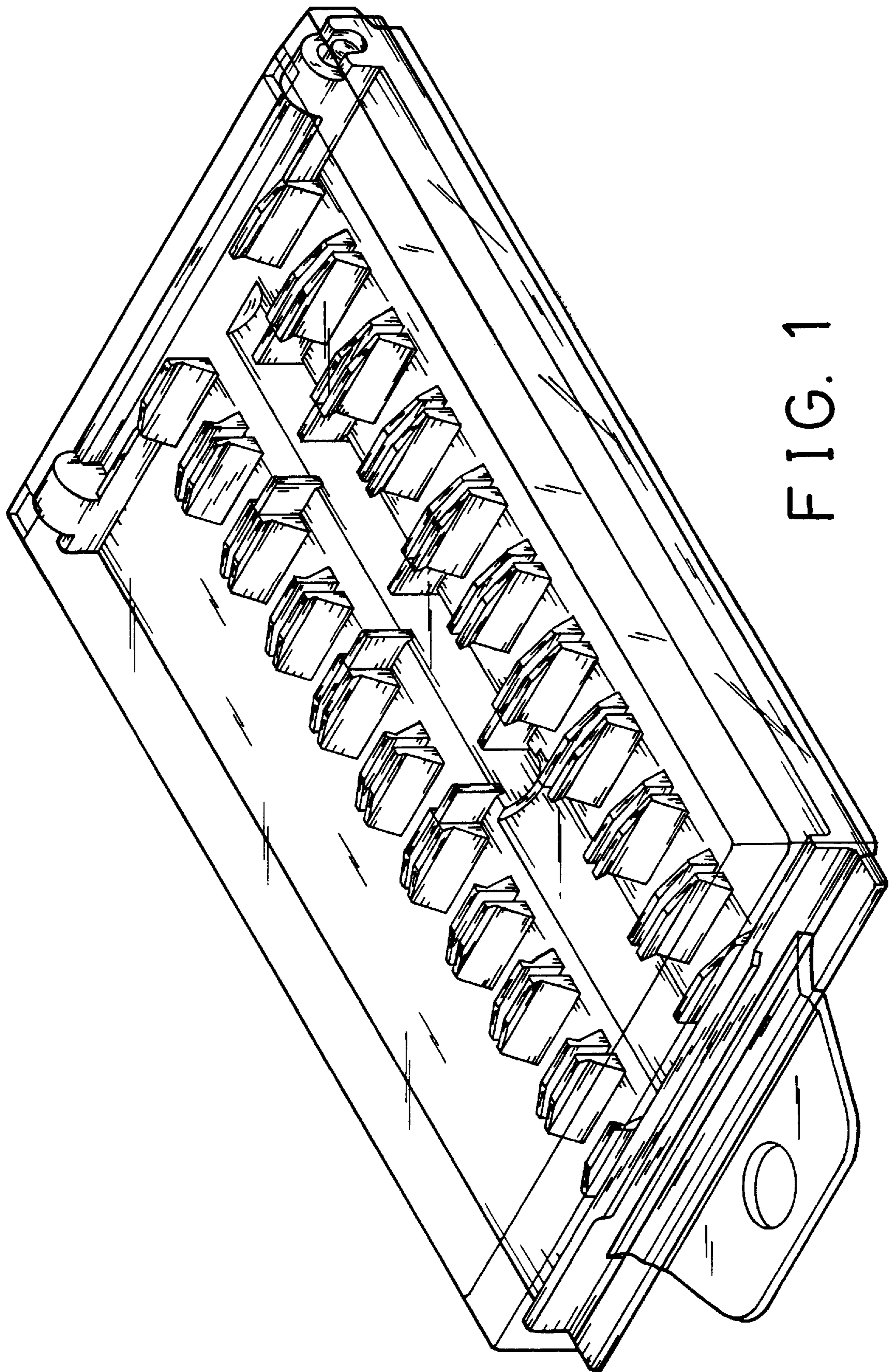


FIG. 1

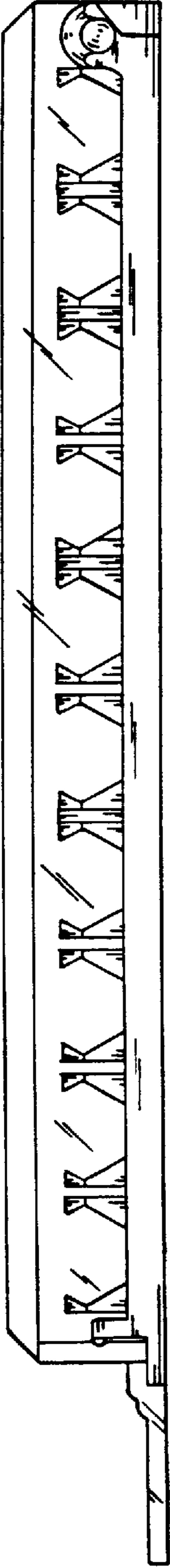


FIG. 2

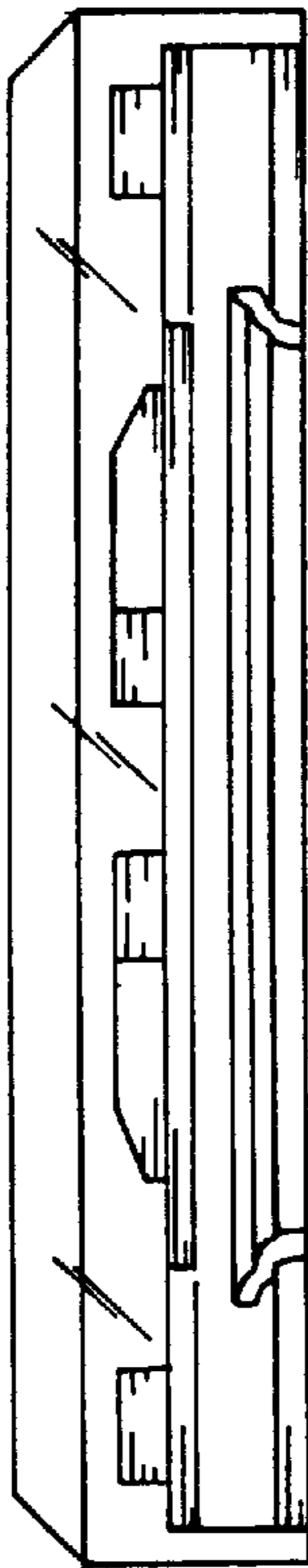


FIG. 5

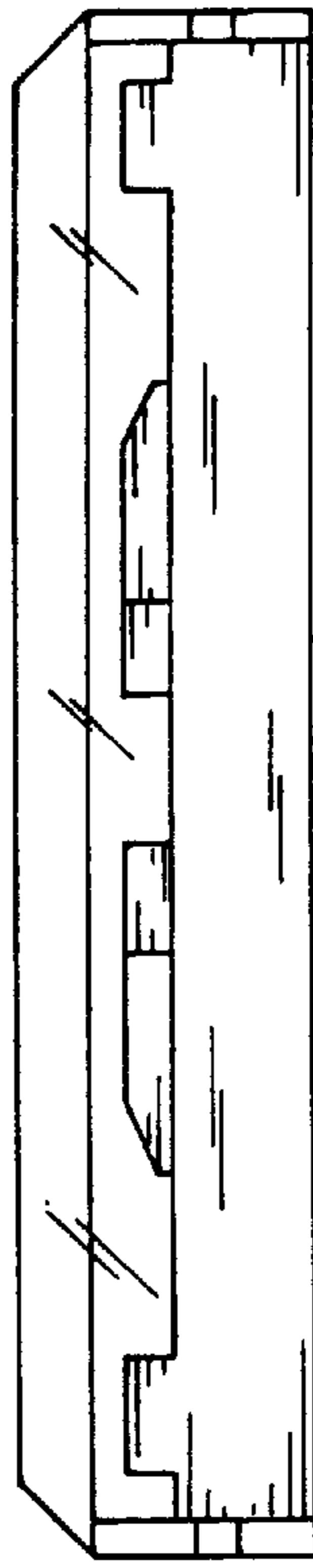


FIG. 6

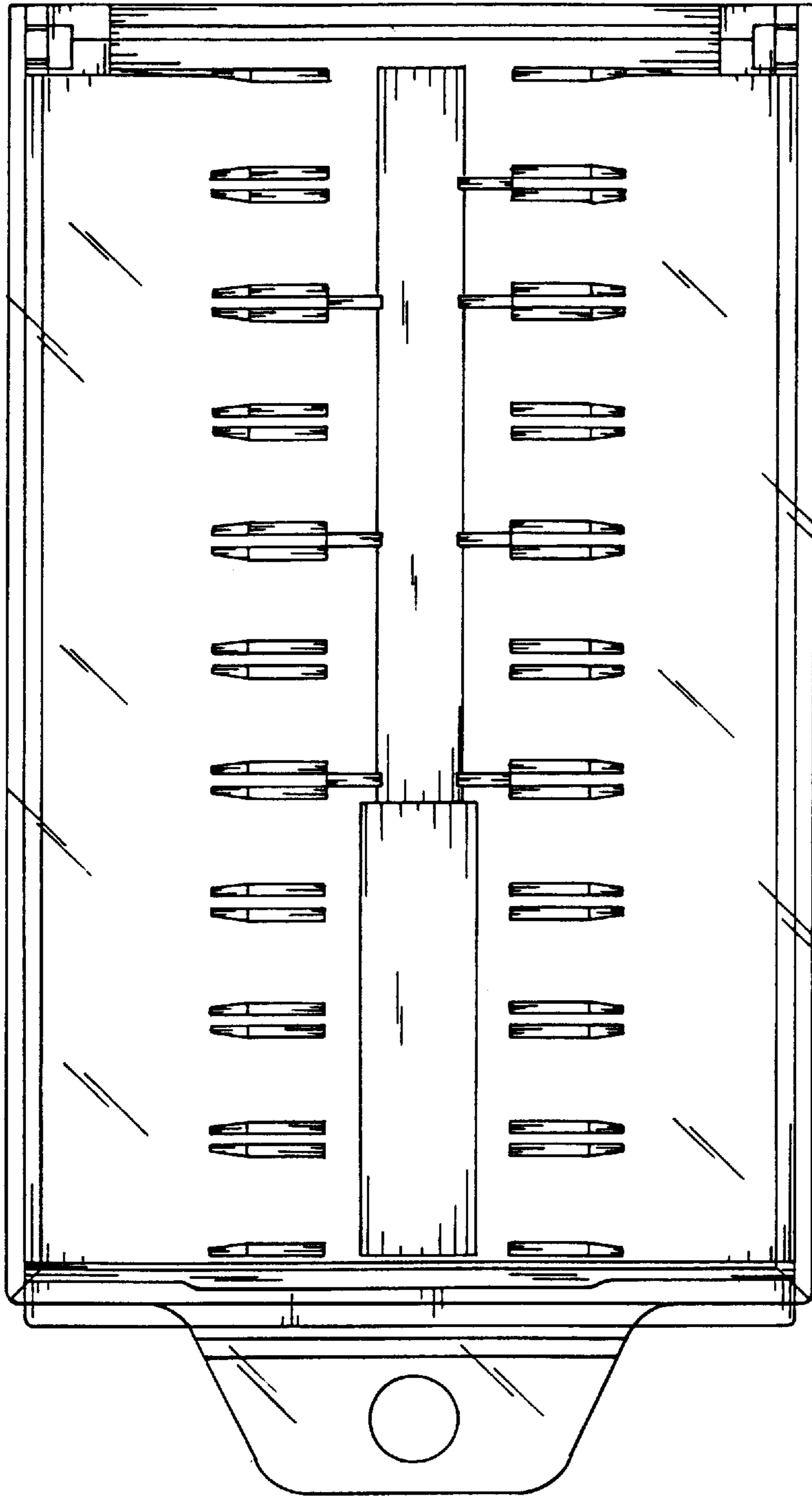


FIG. 3

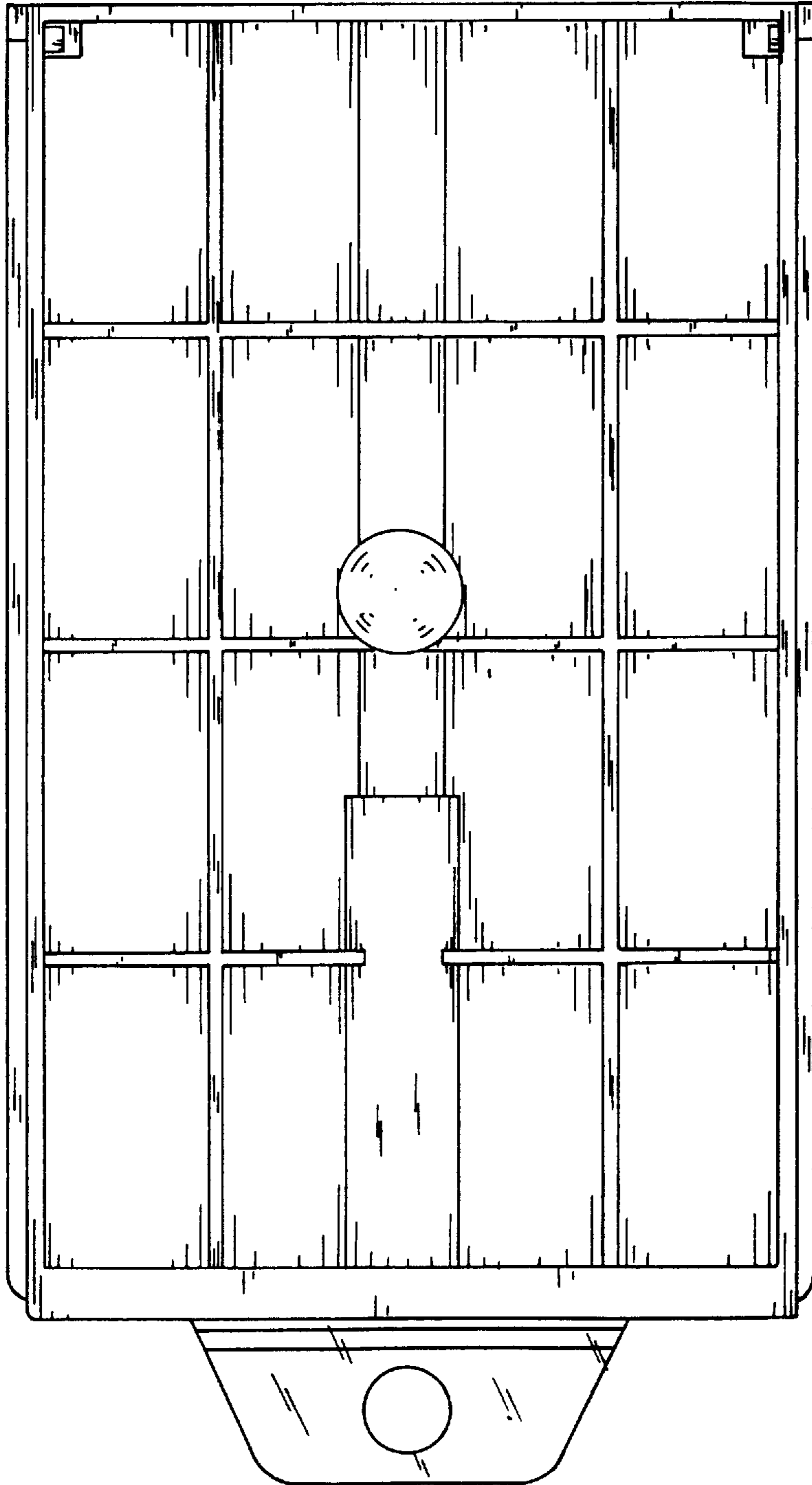


FIG. 4

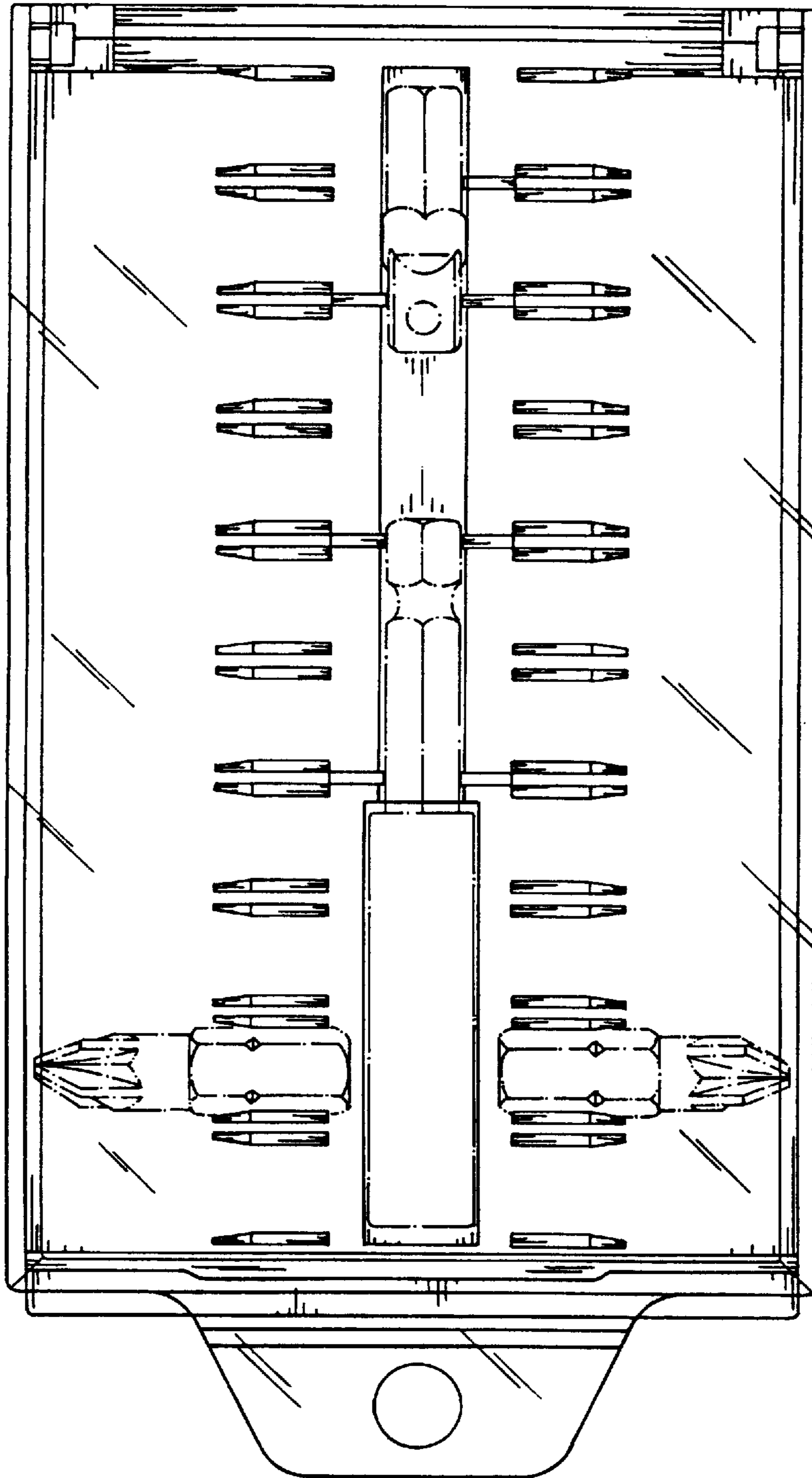


FIG. 7

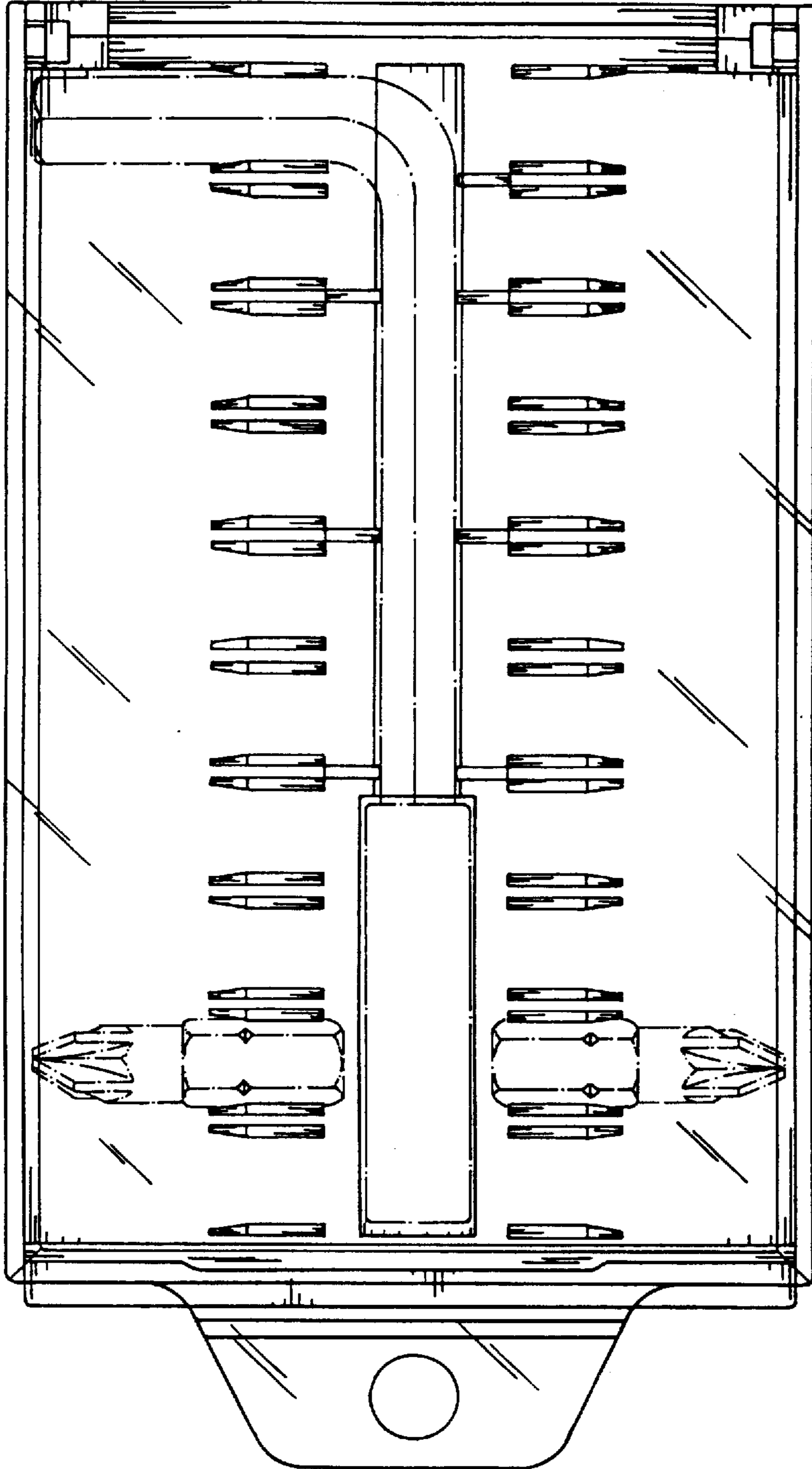


FIG. 8

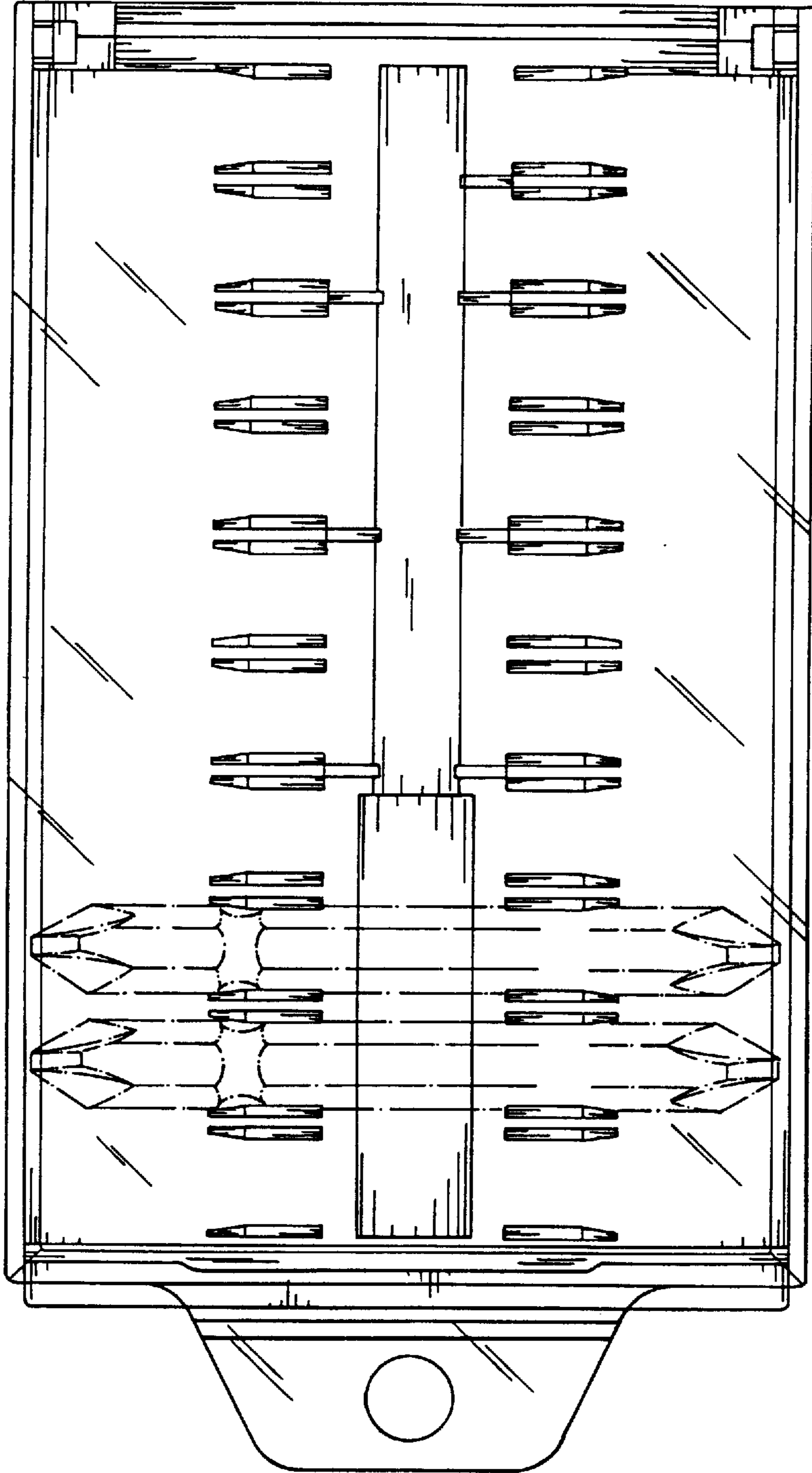


FIG. 9