



US00D400705S

# United States Patent [19]

Akutsu

[11] **Patent Number: Des. 400,705**

[45] **Date of Patent: \*\*Nov. 10, 1998**

[54] **PORTABLE CASE**

[76] Inventor: **Akira Akutsu**, Itabashi 1-36-4,  
Itabashi-ku, Tokyo 173, Japan

[\*\*] Term: **14 Years**

[21] Appl. No.: **77,547**

[22] Filed: **Oct. 3, 1997**

### [30] Foreign Application Priority Data

Aug. 21, 1997 [JP] Japan ..... 9-65046

[51] **LOC (6) Cl.** ..... **03-01**

[52] **U.S. Cl.** ..... **D3/242; D3/247; D3/243;**  
**D3/232**

[58] **Field of Search** ..... D3/242, 243, 247,  
D3/248, 249; 150/100, 112, 115, 117, 118,  
119, 120; 190/109; 383/33, 34; D9/305

### [56] References Cited

#### U.S. PATENT DOCUMENTS

231,639	8/1880	Wood, Jr.	.....	383/34
D. 387,200	12/1997	Kuhn	.....	D3/243
2,612,200	9/1952	June	.....	D3/242
2,683,478	7/1954	Seelig	.....	150/117
2,788,825	4/1957	Gluck	.....	150/115
3,043,355	7/1962	Rossi	.....	150/119

*Primary Examiner*—Louis S. Zarfes  
*Assistant Examiner*—Monica A. Weingart  
*Attorney, Agent, or Firm*—Howson and Howson

### [57] CLAIM

The ornamental design for a portable case, as shown and described.

### DESCRIPTION

FIG. 1 is a front elevational view of a portable case, showing my new design;

FIG. 2 is a top plan view thereof;

FIG. 3 is a right side elevational view, the left side being a mirror image thereof;

FIG. 4 is a rear elevational view thereof;

FIG. 5 is a bottom plan view thereof;

FIG. 6 is a front elevational view thereof, showing the portable case in an opened condition;

FIG. 7 is a right side elevational view thereof, showing the portable case in an opened condition;

FIG. 8 is a vertical section taken on plane 8—8 in FIG. 6; and,

FIG. 9 is an exploded perspective view thereof.

The broken line showing in FIGS. 3, 4, 5, 6, 7, and 9, is conventional stitching.

**1 Claim, 5 Drawing Sheets**

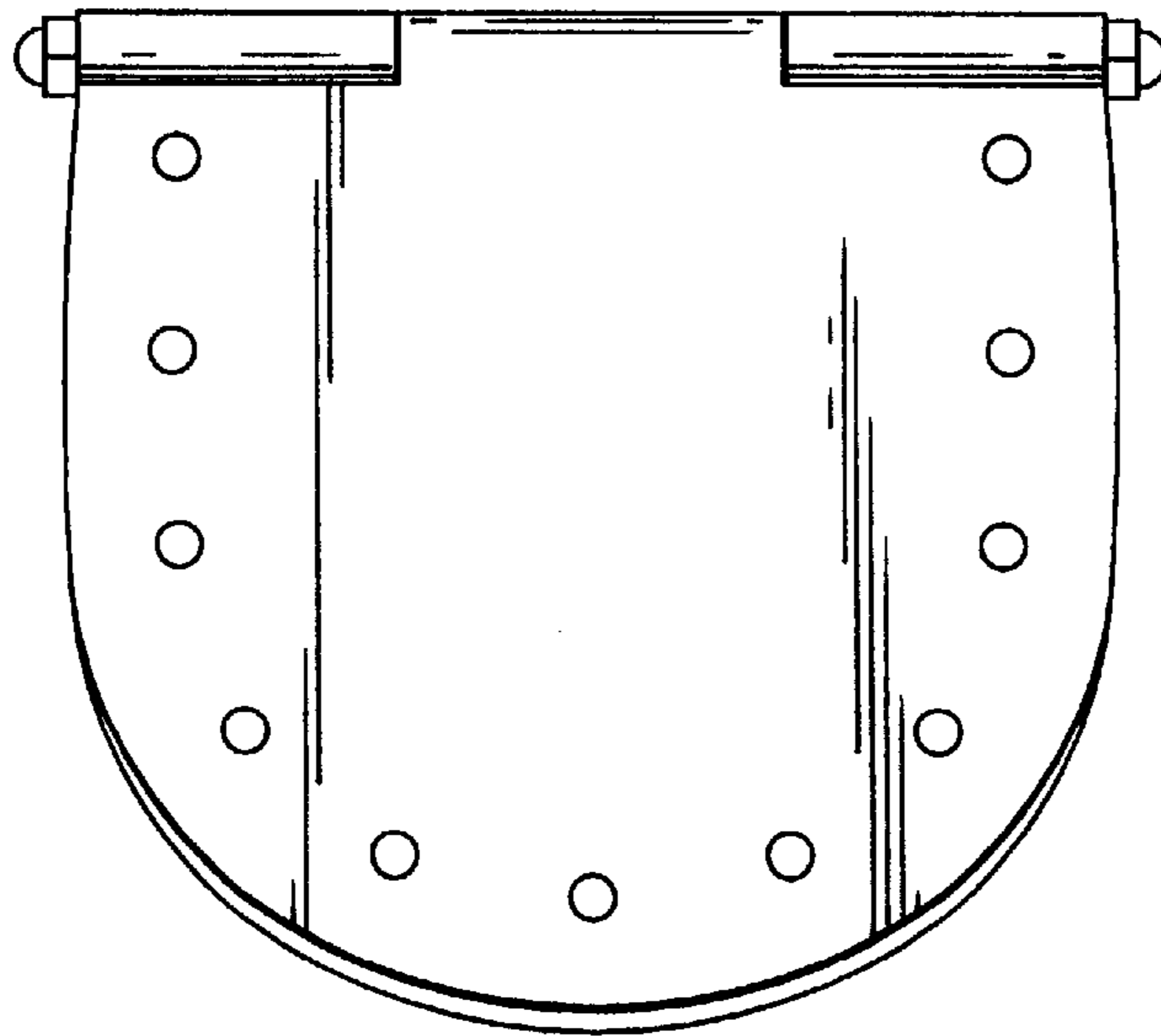


FIG. 2

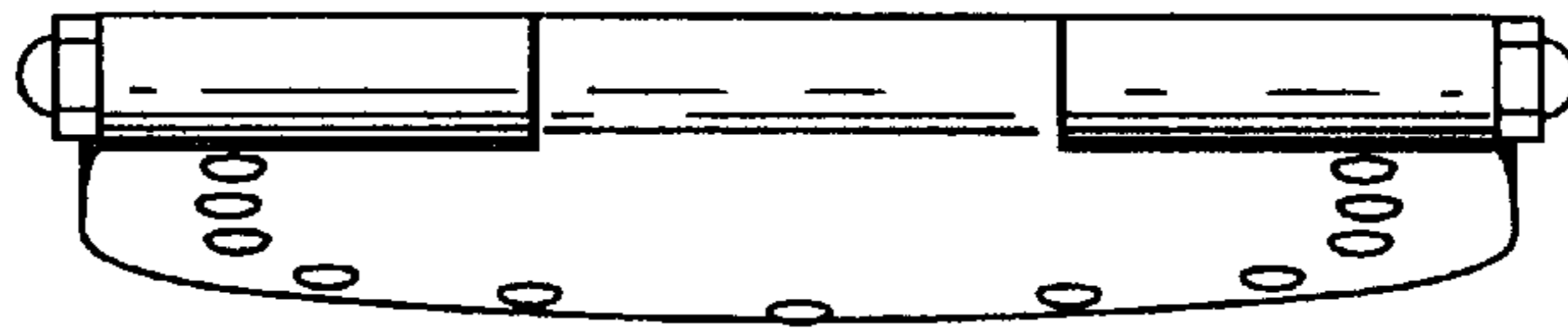


FIG. 1

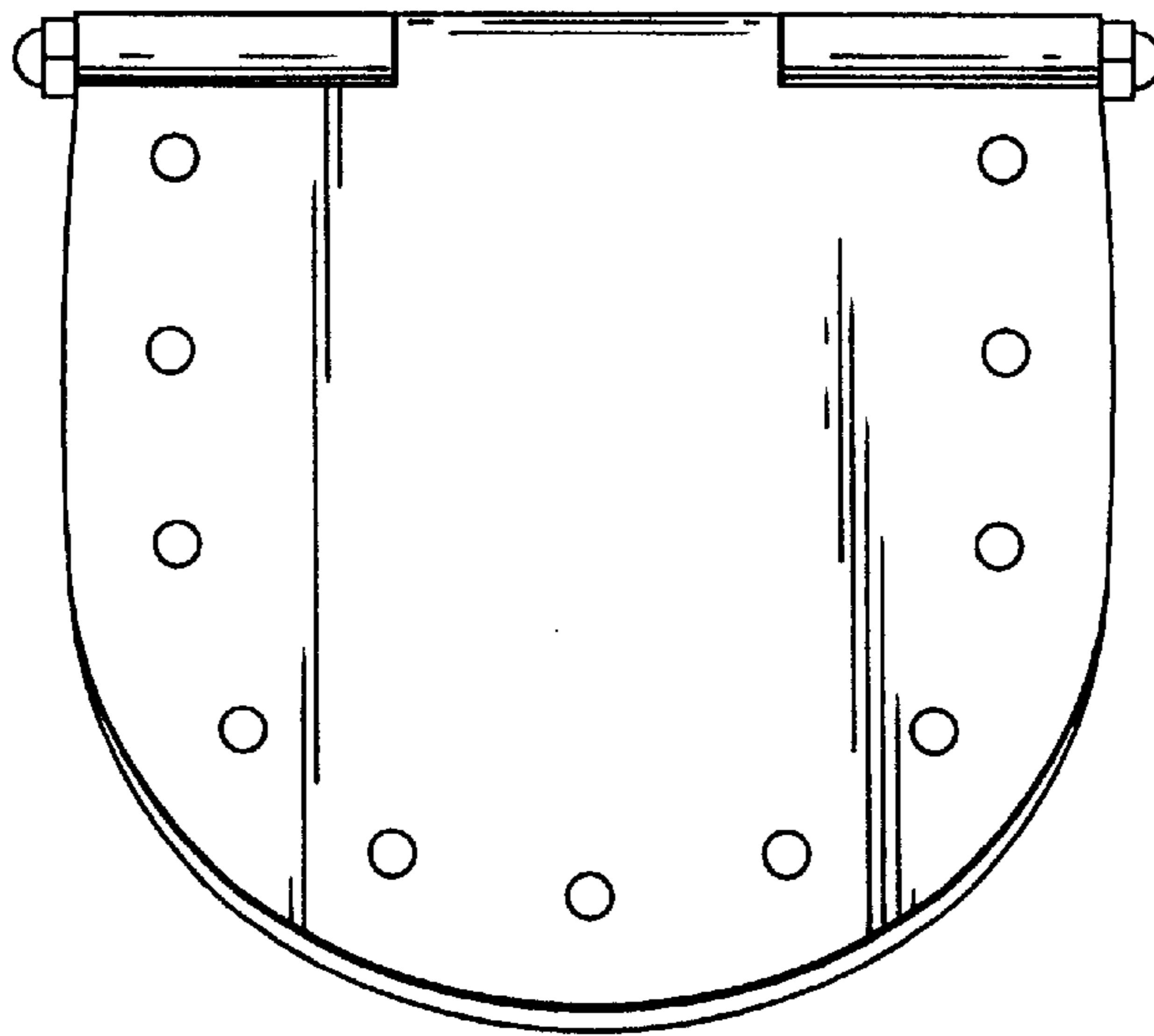


FIG. 3



FIG. 5

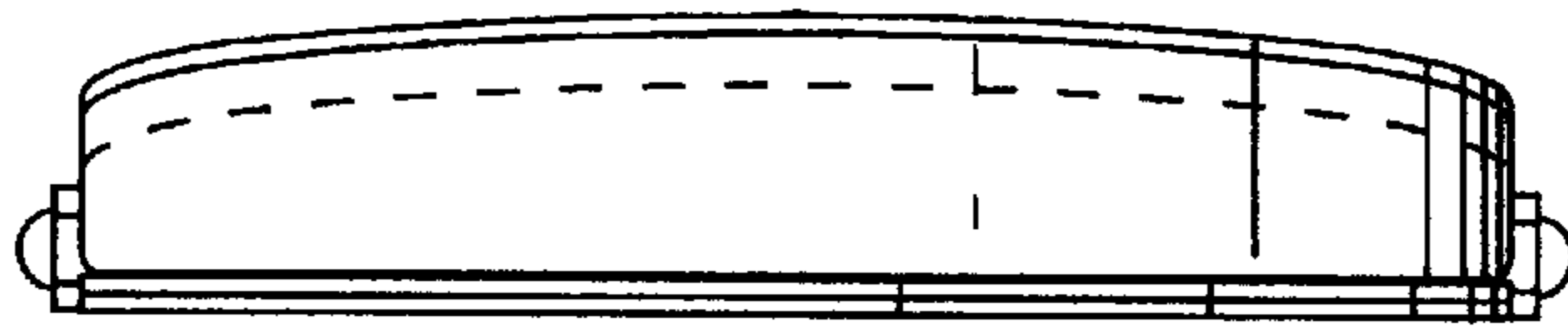


FIG. 4

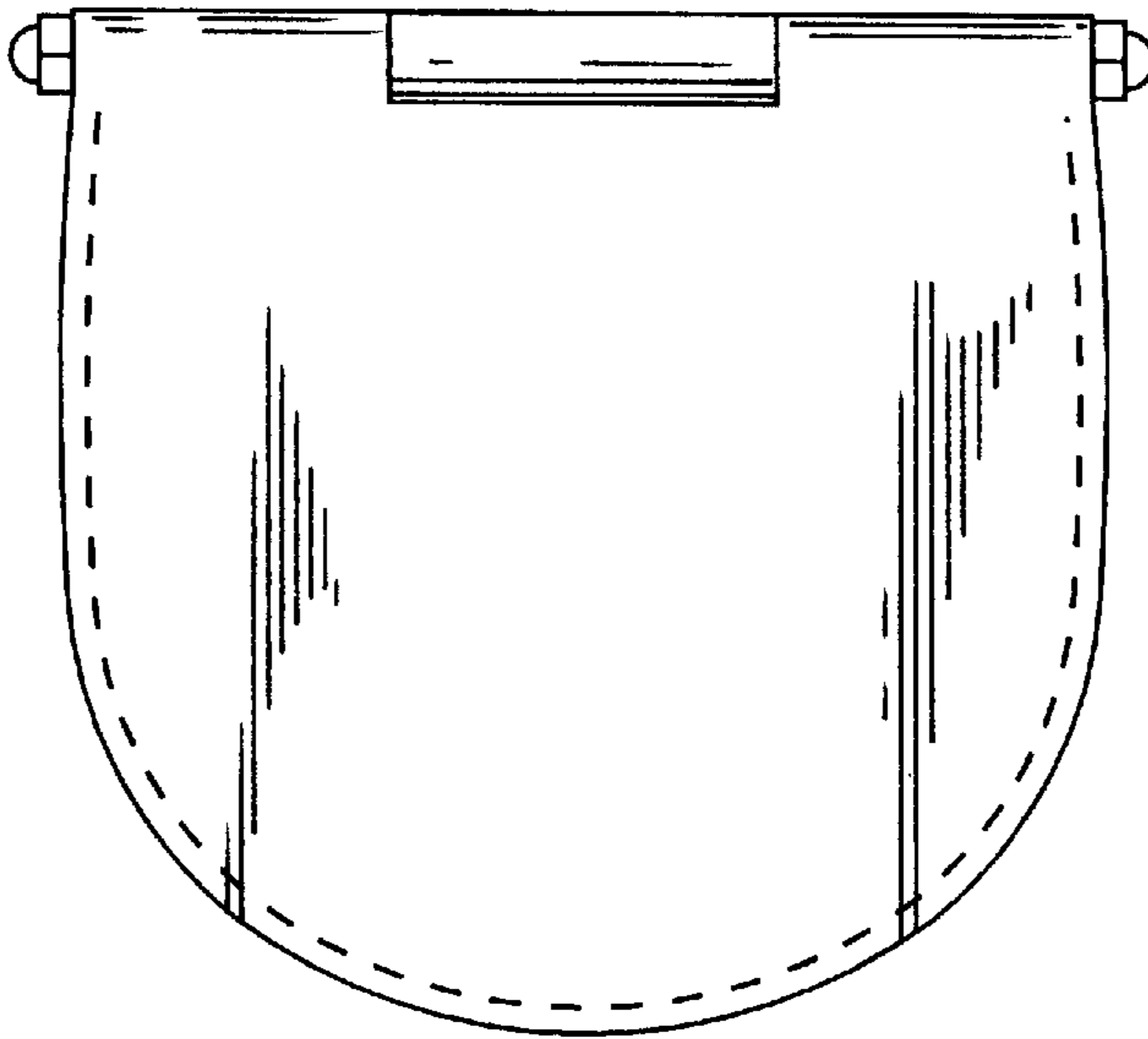


FIG. 6

FIG. 7

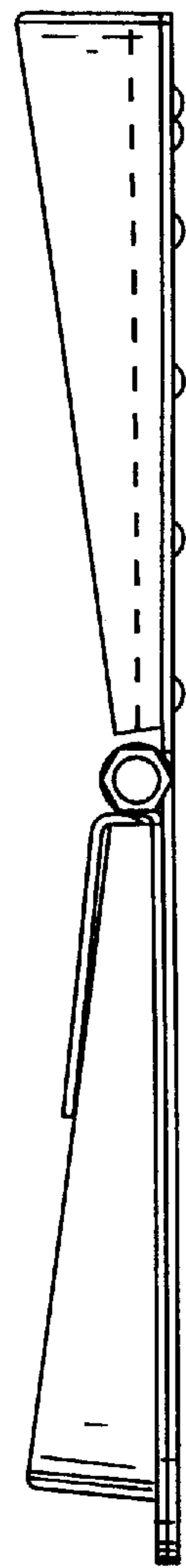
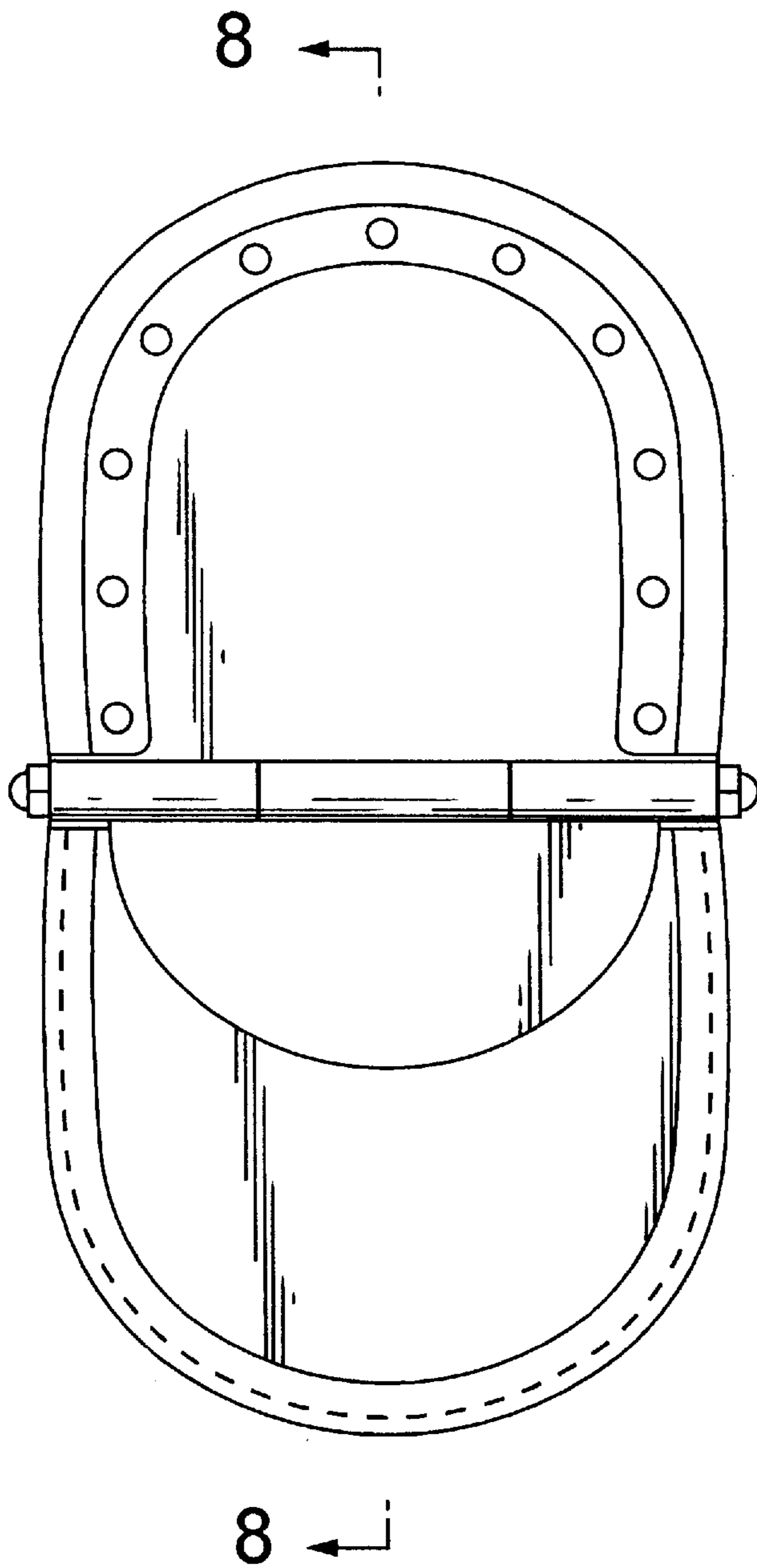


FIG. 8

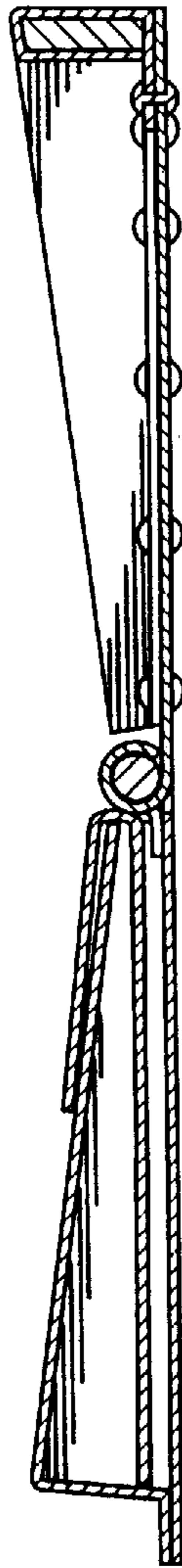


FIG. 9

