



US00D400704S

**United States Patent** [19]  
**Leinberger**

[11] **Patent Number: Des. 400,704**

[45] **Date of Patent: \*\*Nov. 10, 1998**

[54] **PASS HOLDER**

5,410,827 5/1995 Smith ..... 40/1.5

[76] Inventor: **David Charles Leinberger**, 520 Grape St., Denver, Colo. 80220

*Primary Examiner*—Doris V. Coles  
*Assistant Examiner*—Catherine R. Oliver

[\*\*] Term: **14 Years**

[57] **CLAIM**

[21] Appl. No.: **45,265**

The ornamental design for a pass holder, as shown and described.

[22] Filed: **Oct. 16, 1995**

**DESCRIPTION**

[51] **LOC (6) Cl.** ..... **03-01**

FIG. 1 is a front perspective view of a pass holder showing my new design;

[52] **U.S. Cl.** ..... **D3/215**

FIG. 2 is a rear perspective view thereof;

[58] **Field of Search** ..... D3/215, 226, 230;  
D11/95; D2/624; 224/219, 222, 267; 40/1.5

FIG. 3 is a top plan view thereof;

FIG. 4 is a front elevation view thereof;

FIG. 5 is a bottom plan view thereof;

FIG. 6 is a left side elevation view thereof;

FIG. 7 is a rear elevation view thereof;

FIG. 8 is a right side elevation view; and,

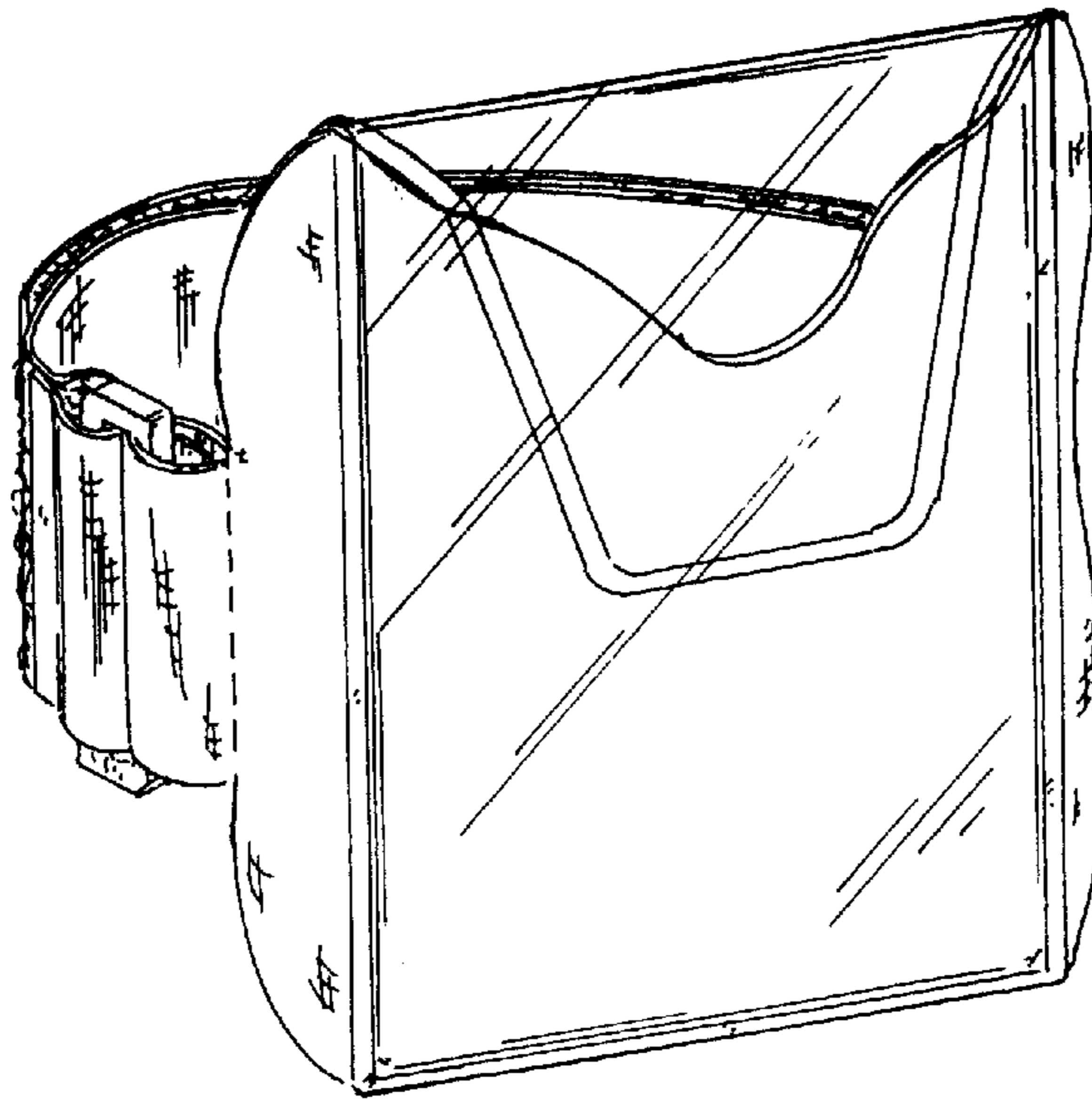
FIG. 9 is a front elevation view with flap in an open position.

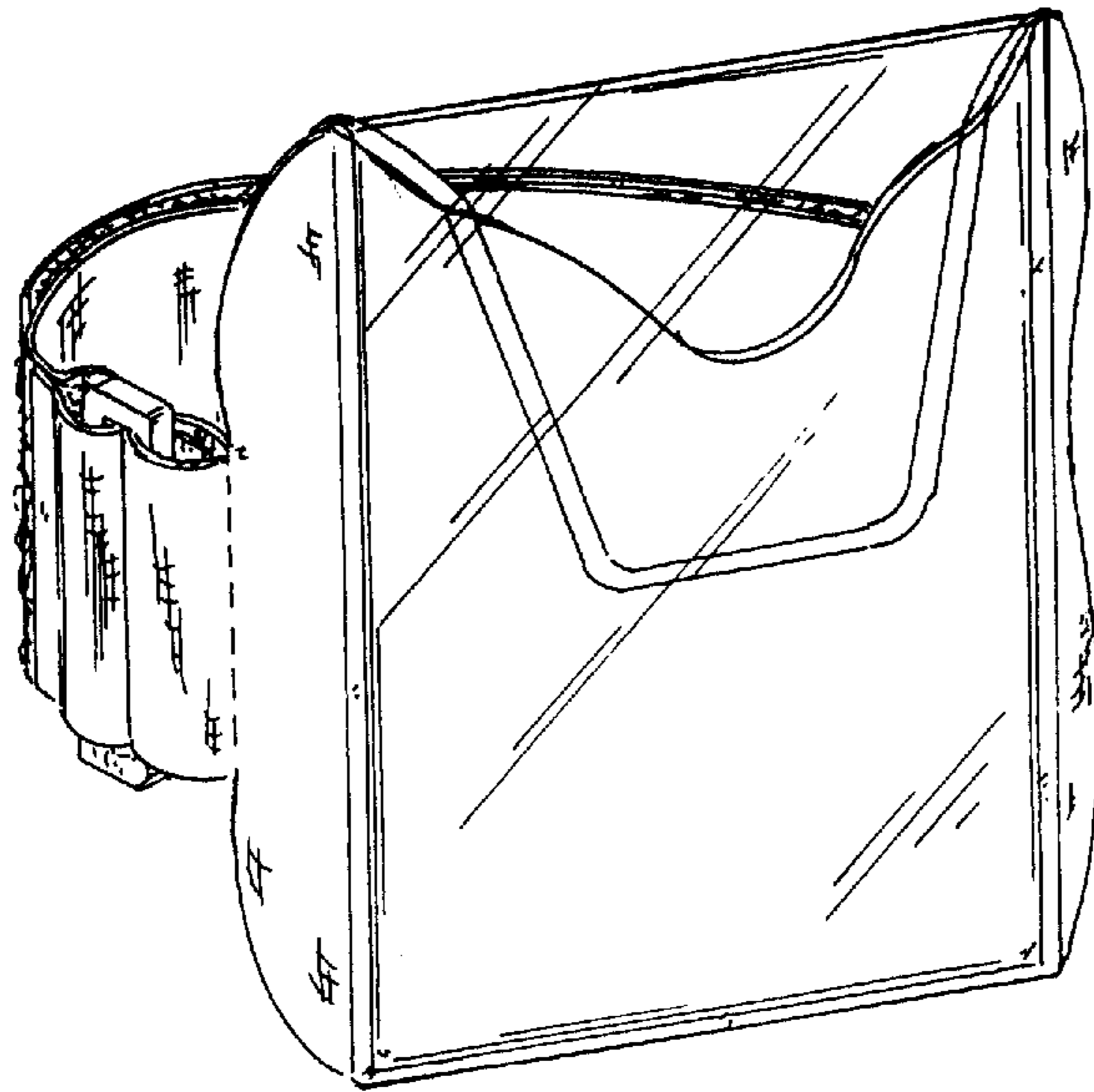
[56] **References Cited**

**U.S. PATENT DOCUMENTS**

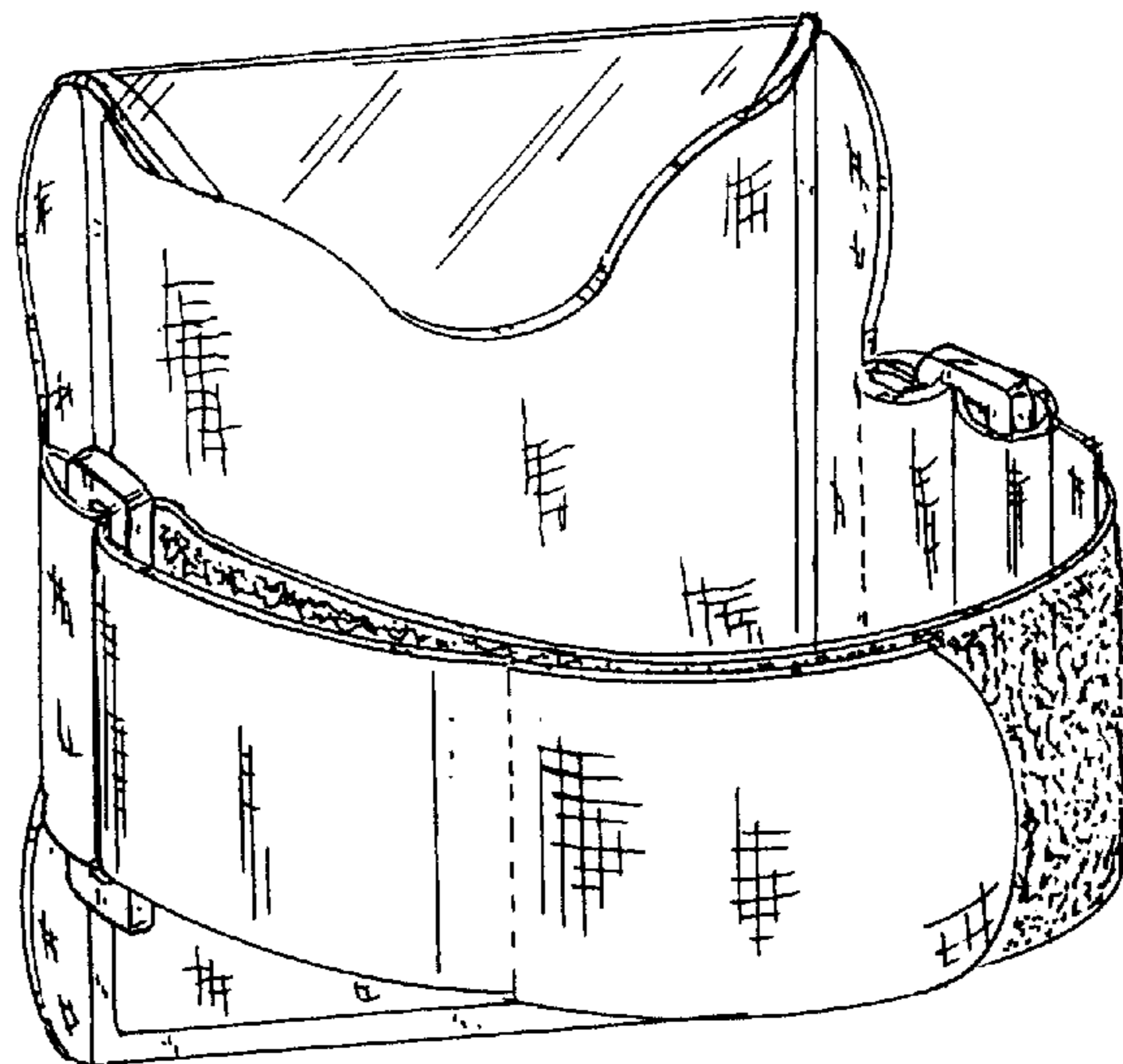
D. 280,255	8/1985	Blaivas	.....	D3/230 X
3,295,235	1/1967	Tauber	.....	D11/95
4,305,215	12/1981	Smith	.....	40/1.5
5,386,933	2/1995	Greene et al.	.....	224/267 X

**1 Claim, 4 Drawing Sheets**

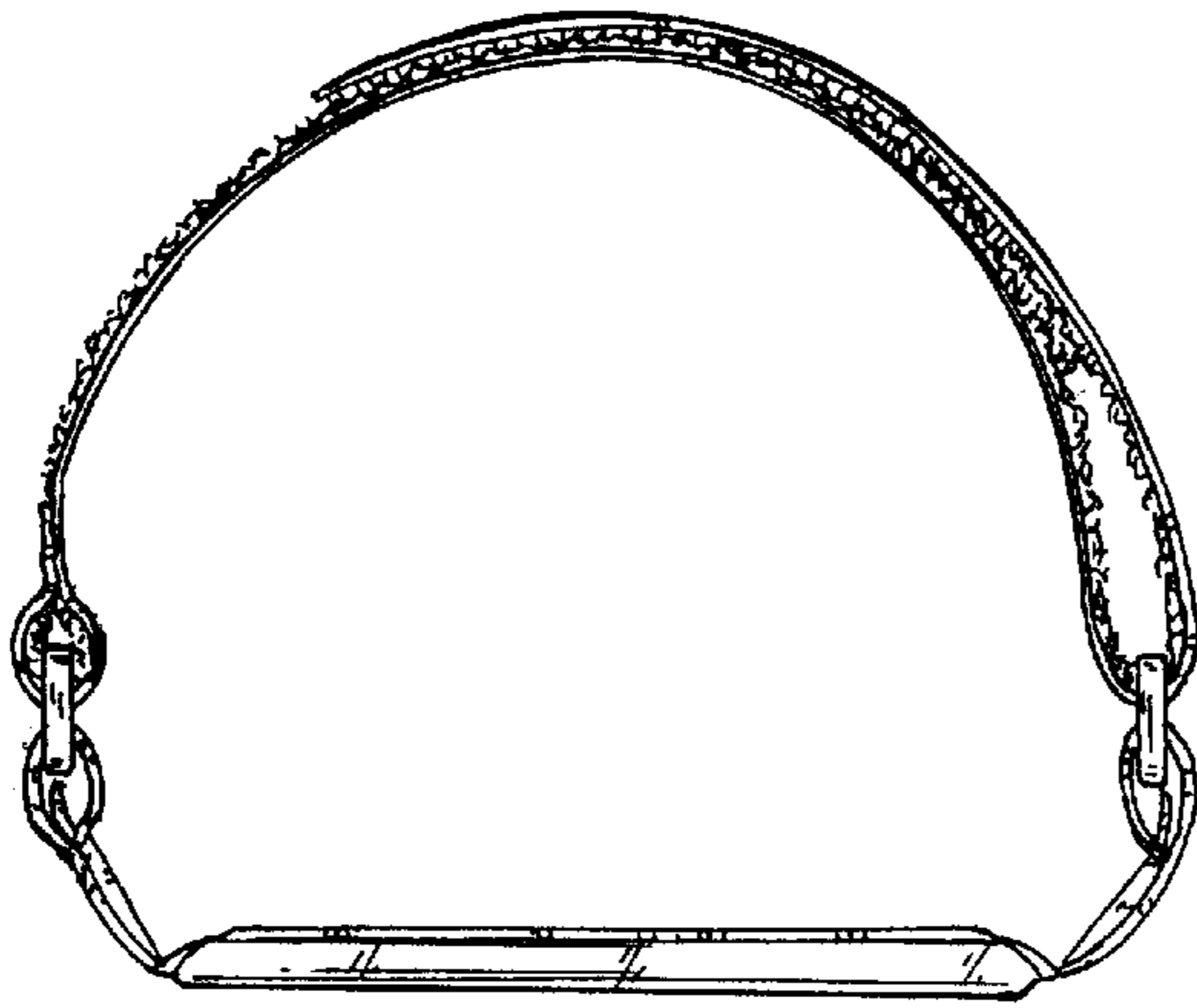




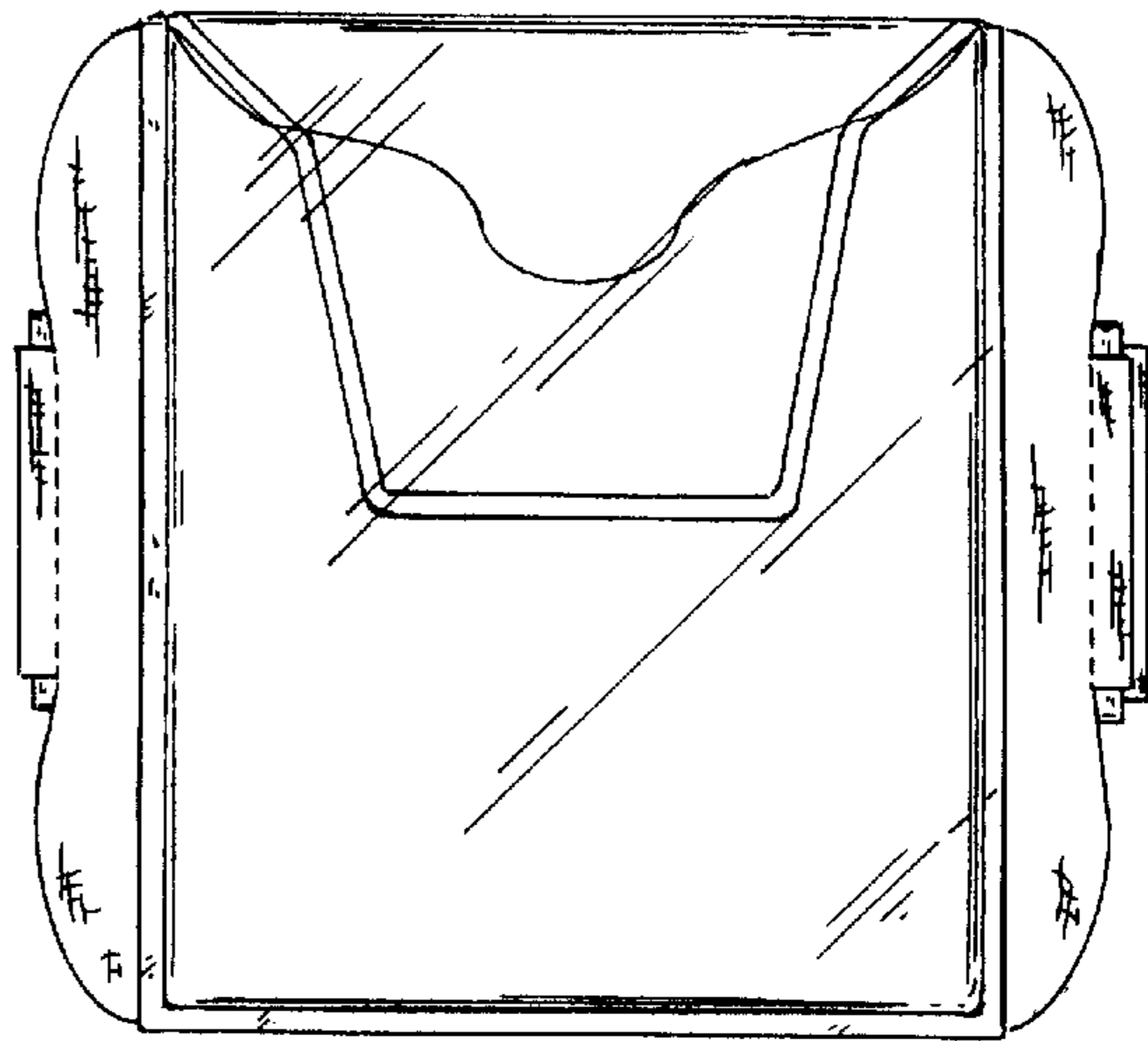
**Fig\_1**



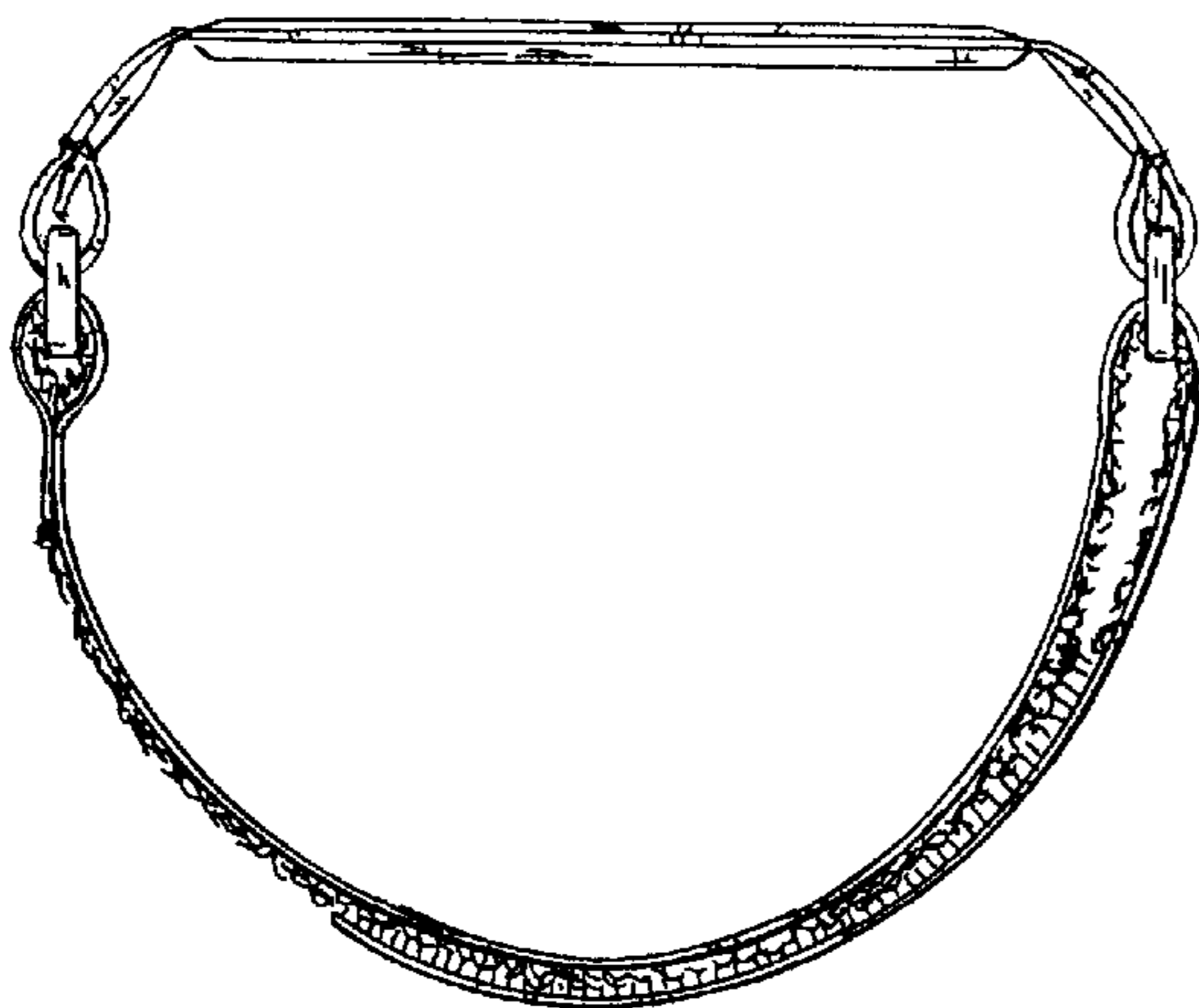
**Fig\_2**



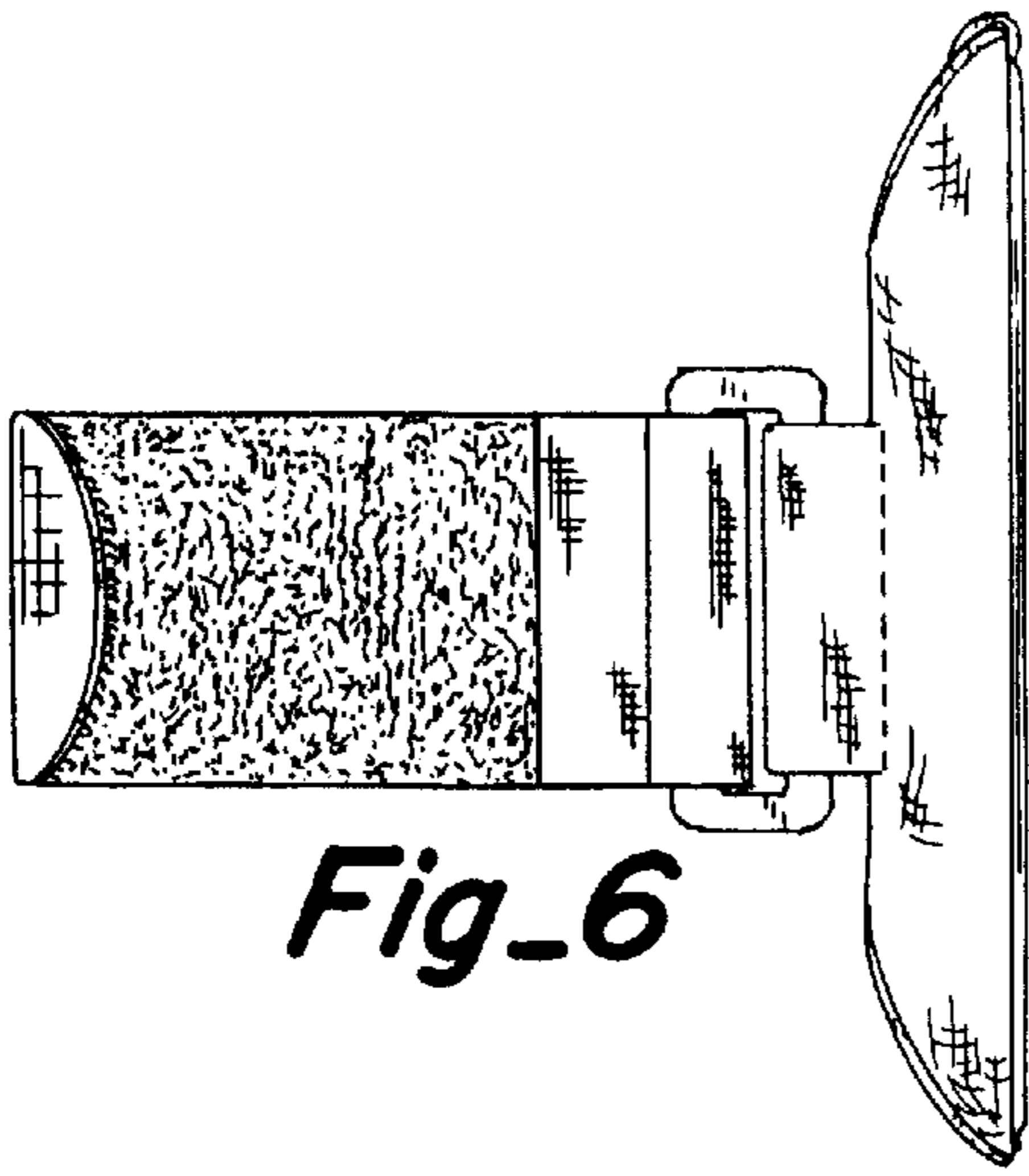
*Fig\_3*



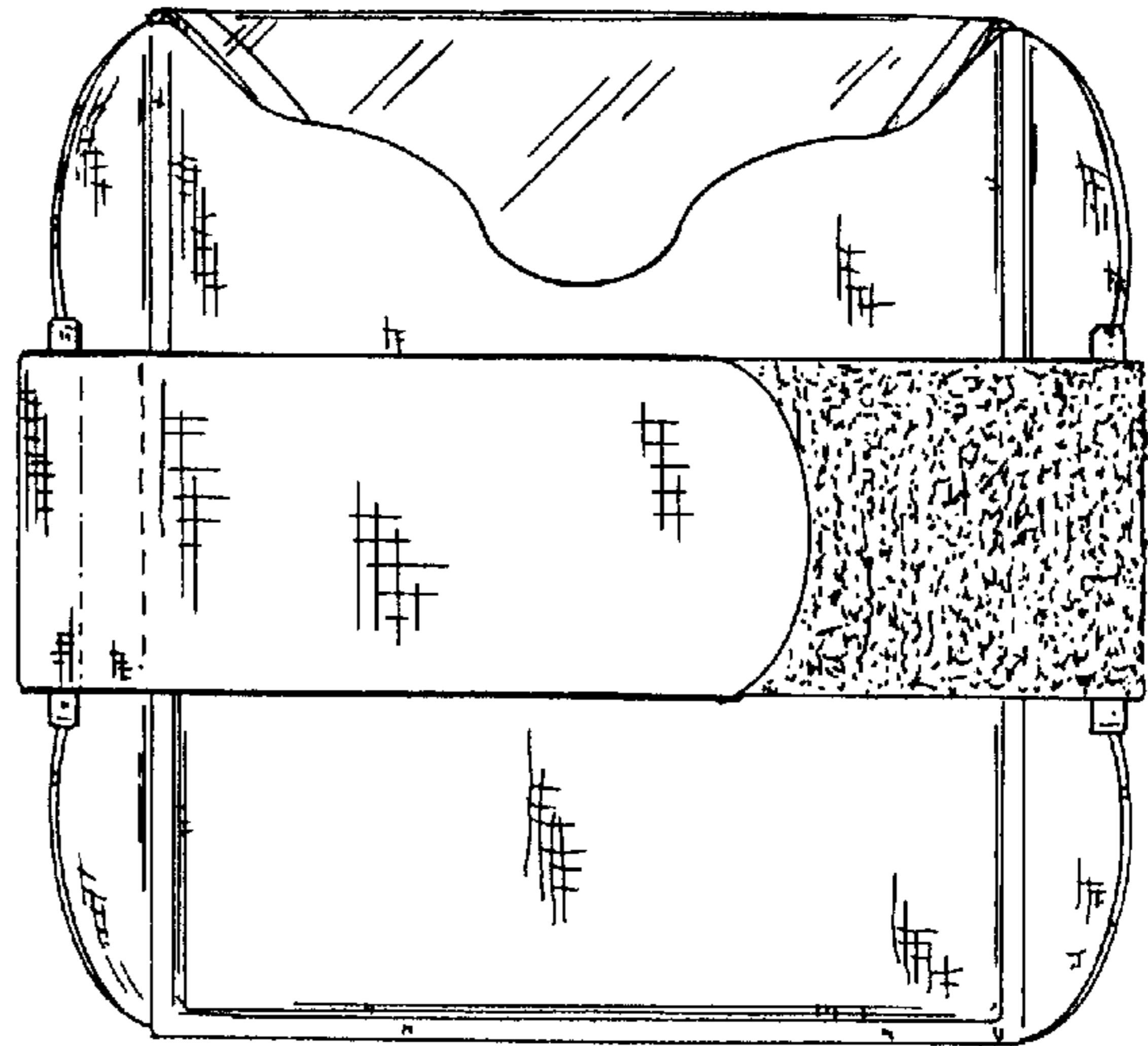
*Fig\_4*



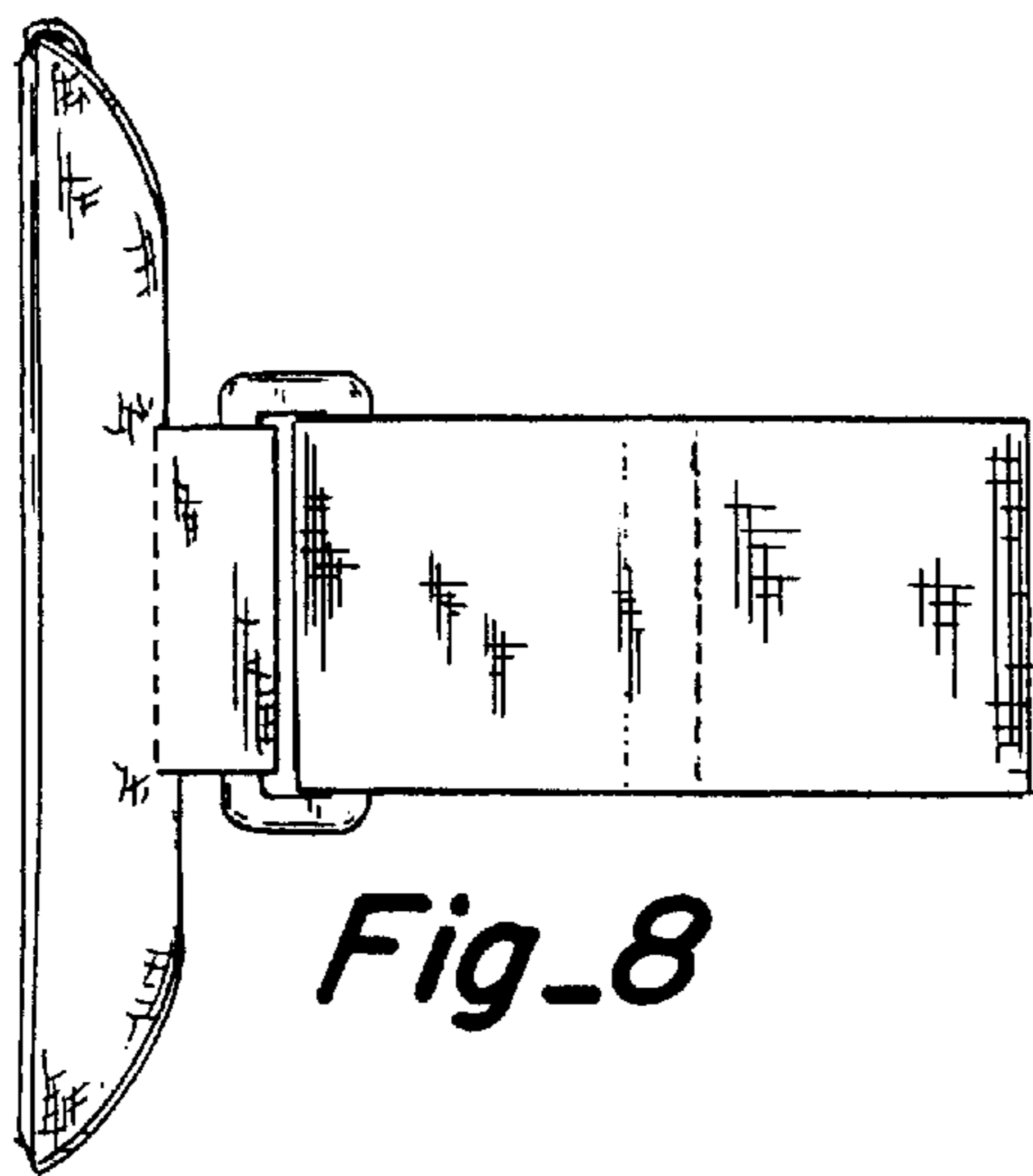
*Fig\_5*



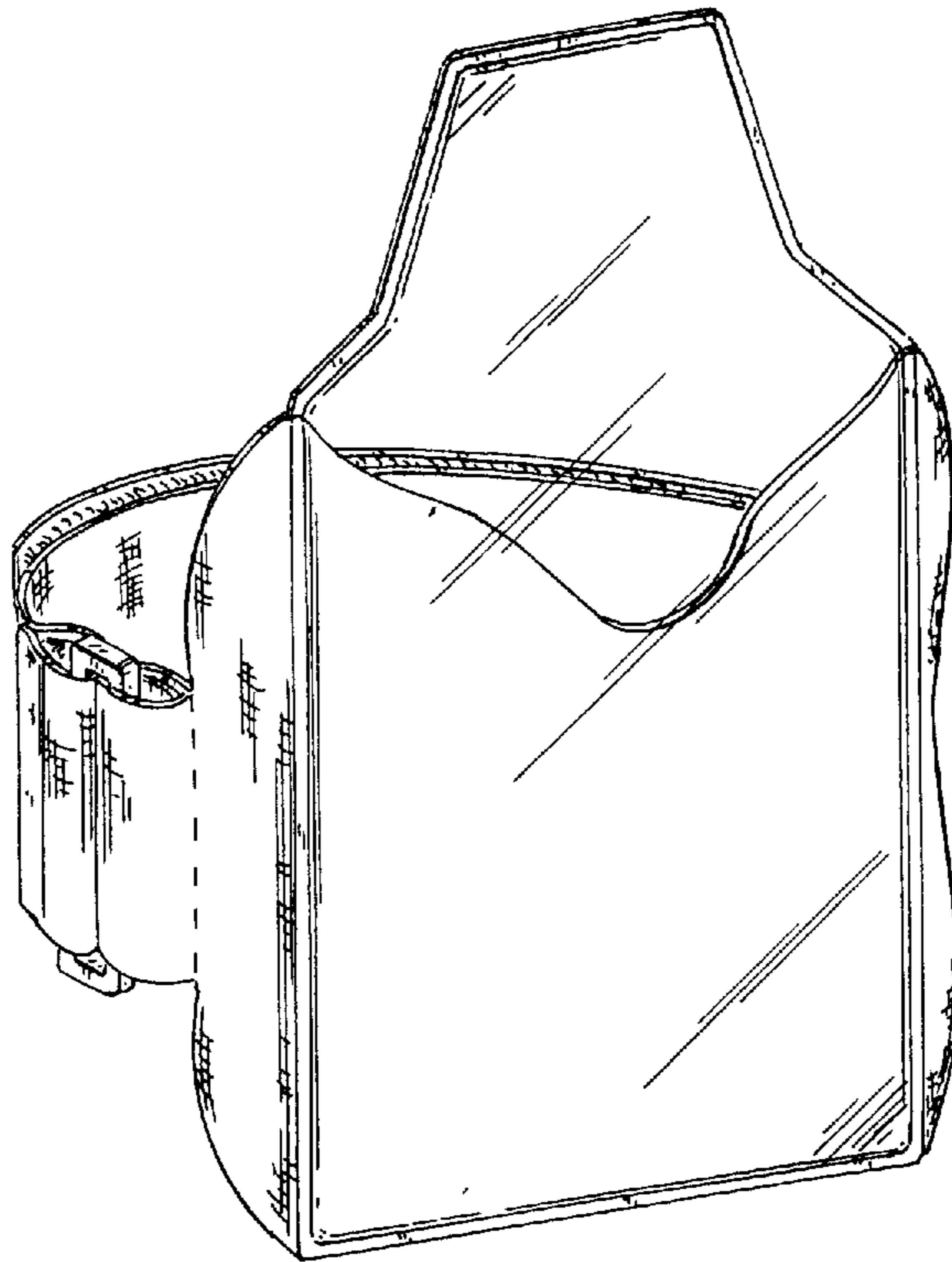
*Fig\_6*



*Fig\_7*



*Fig\_8*



*Fig\_9*