



US00D400694S

**United States Patent** [19]  
**Kang**

[11] **Patent Number: Des. 400,694**

[45] **Date of Patent: \*\*Nov. 10, 1998**

[54] **SLIPPER**

[76] Inventor: **Kwon J. Kang**, 86 Sohak-Ri,  
Nechon-Myun, Poohun-Gun,  
Kyungki-do, Rep. of Korea

[\*\*] Term: **14 Years**

[21] Appl. No.: **73,926**

[22] Filed: **Jul. 24, 1997**

[30] **Foreign Application Priority Data**

Feb. 25, 1997 [KR] Rep. of Korea ..... 97-3674

[51] **LOC (6) Cl.** ..... **02-04**

[52] **U.S. Cl.** ..... **D2/919; D2/916**

[58] **Field of Search** ..... D2/919, 916, 917;  
36/115, 94

[56] **References Cited**

**U.S. PATENT DOCUMENTS**

|            |         |            |       |        |
|------------|---------|------------|-------|--------|
| D. 260,047 | 8/1981  | Heinz      | ..... | D2/916 |
| D. 271,155 | 11/1983 | Mansour    | ..... | D2/916 |
| D. 271,156 | 11/1983 | Williamson | ..... | D2/916 |
| D. 278,571 | 4/1985  | Eber       | ..... | D2/916 |

|            |         |                   |       |         |
|------------|---------|-------------------|-------|---------|
| D. 285,382 | 9/1986  | Schorstein et al. | ..... | D2/916  |
| 2,506,308  | 5/1950  | Maynier           | ..... | 36/94   |
| 2,751,693  | 6/1956  | Baker             | ..... | 36/94   |
| 2,808,662  | 10/1957 | Webb              | ..... | D2/917  |
| 2,928,191  | 3/1960  | Meltzer           | ..... | D2/917  |
| 4,017,987  | 4/1977  | Perez, Jr. et al. | ..... | 36/11.5 |

*Primary Examiner*—Doris V. Coles  
*Attorney, Agent, or Firm*—Birch, Stewart, Kolasch & Birch, LLP

[57] **CLAIM**

The ornamental design for a slipper, as shown and described.

**DESCRIPTION**

FIG. 1 is a perspective view of the slipper showing my new design;  
FIG. 2 is a front elevational view thereof;  
FIG. 3 is a rear elevational view thereof;  
FIG. 4 is a left side elevational view thereof;  
FIG. 5 is a right side elevational view thereof;  
FIG. 6 is a top plan view thereof;  
FIG. 7 is a bottom plan view thereof; and,  
FIG. 8 is a bottom perspective view thereof.

**1 Claim, 3 Drawing Sheets**

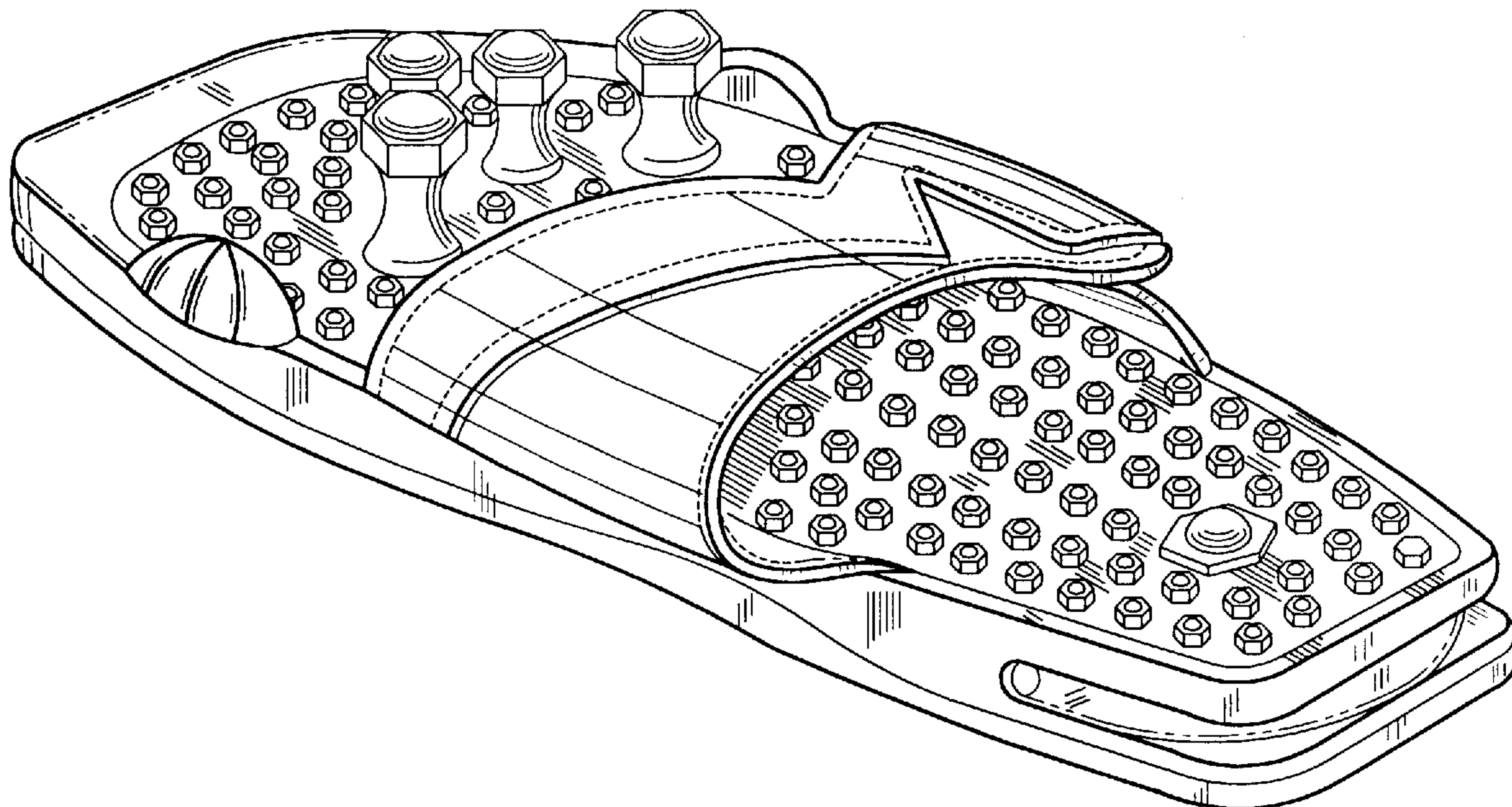


FIG. 1

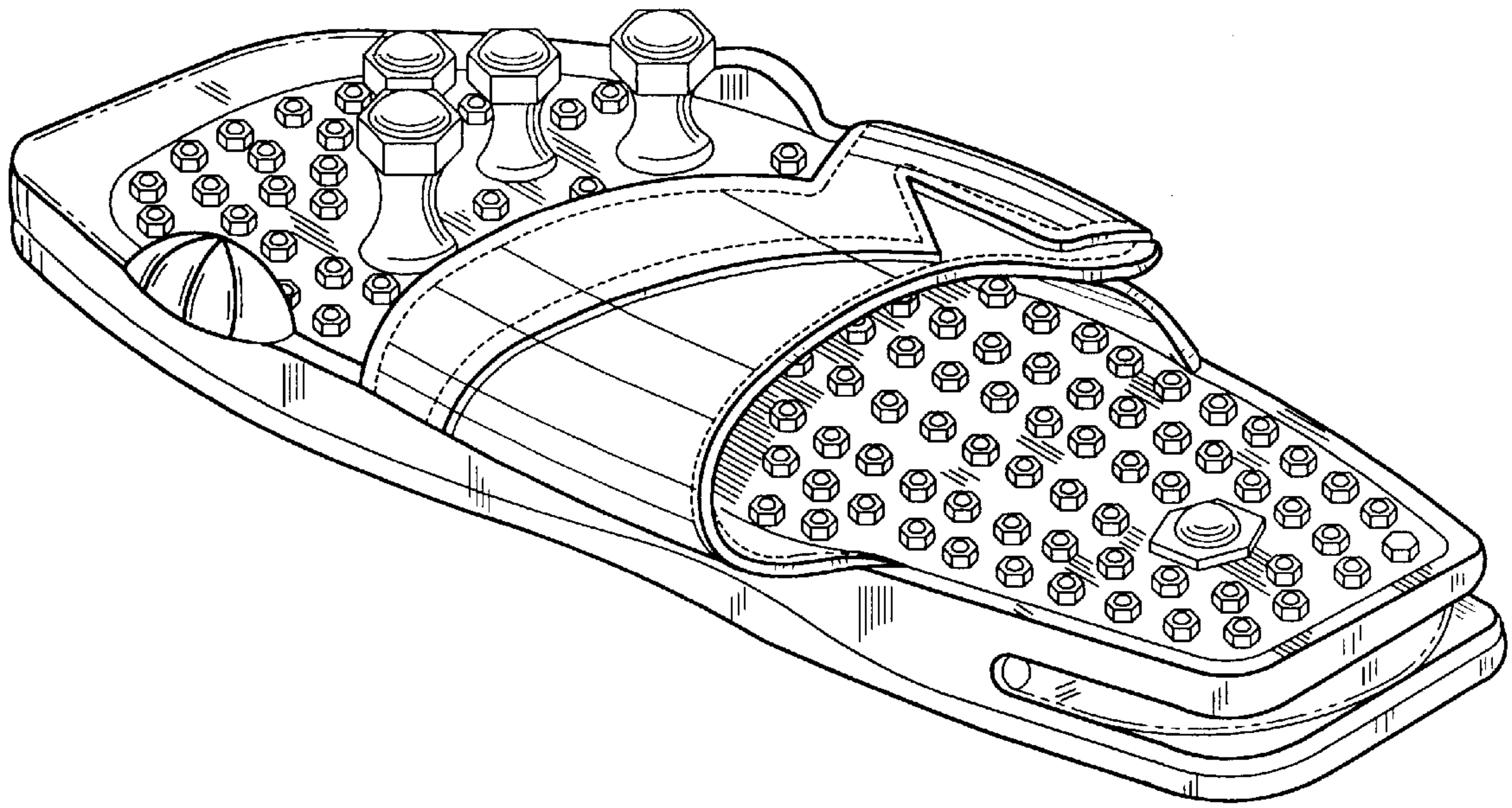
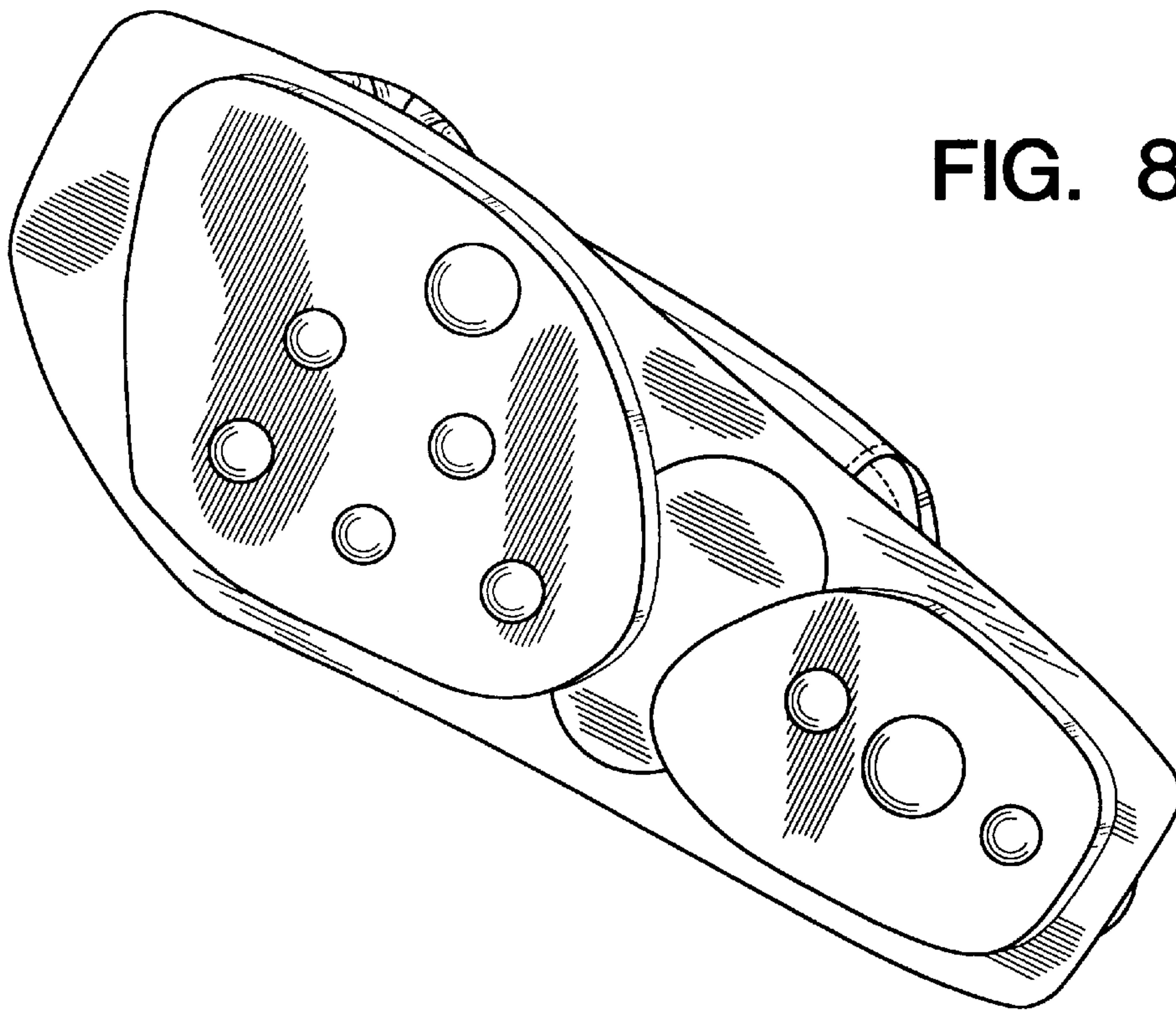


FIG. 8





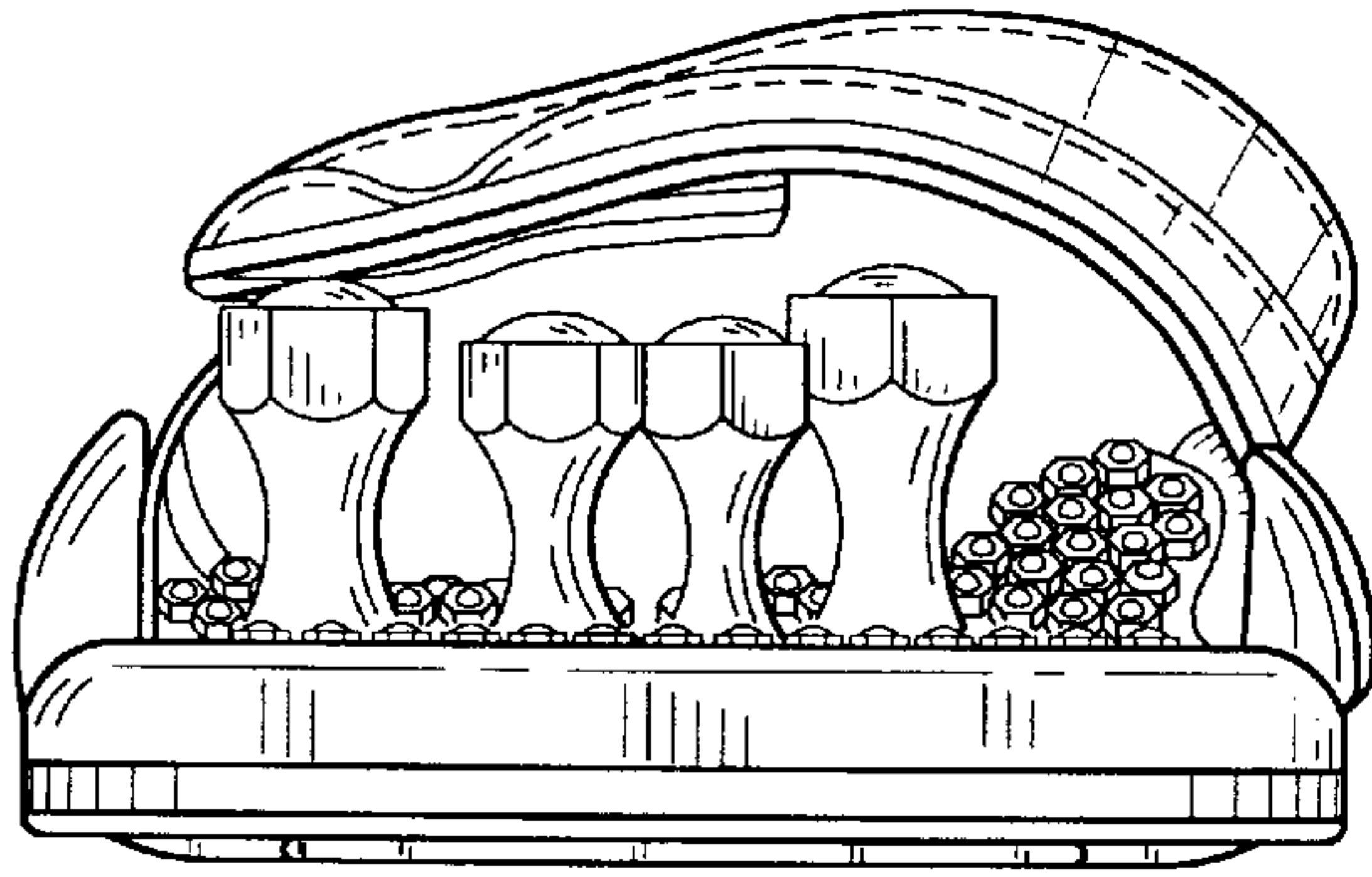


FIG. 2

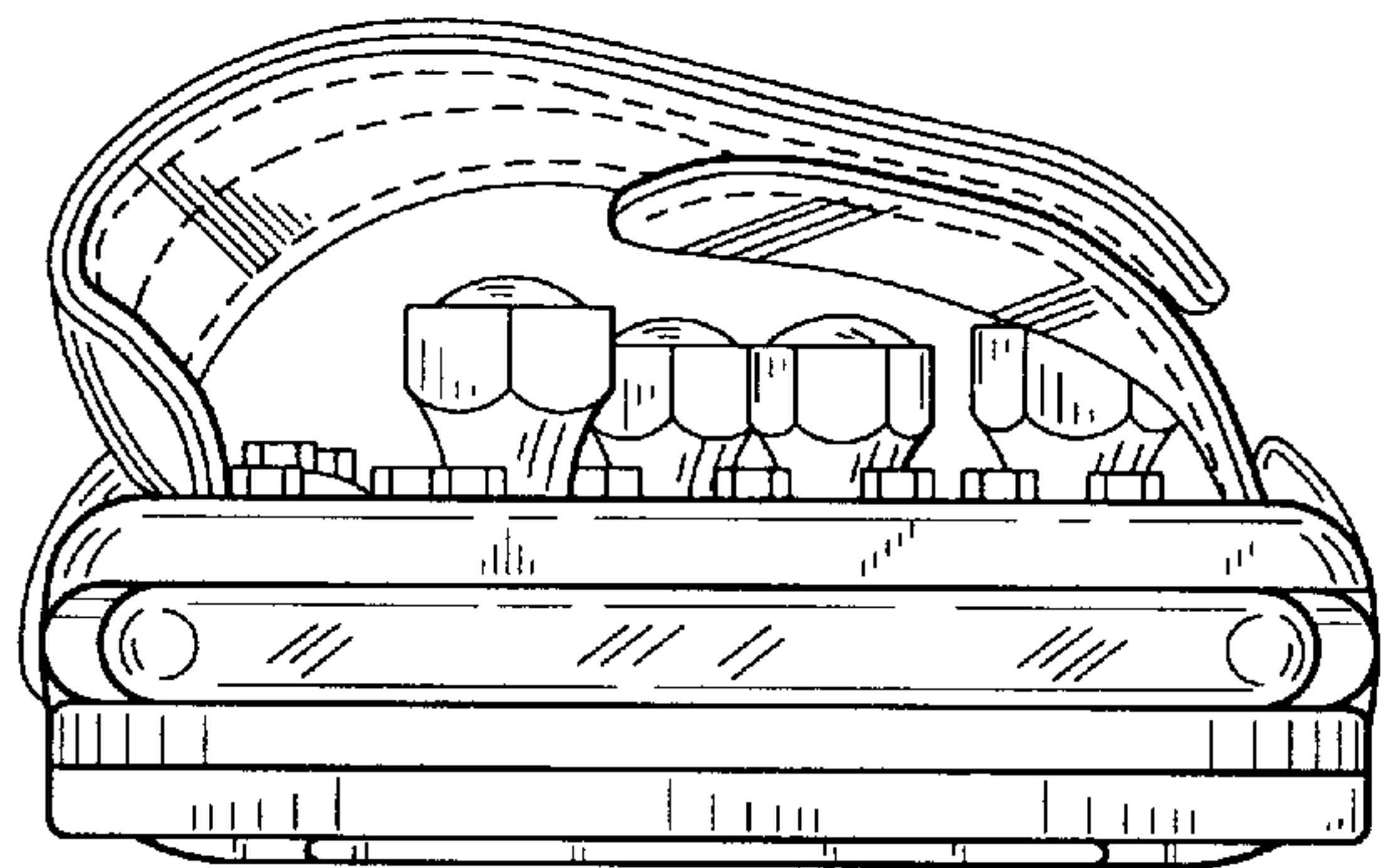


FIG. 3

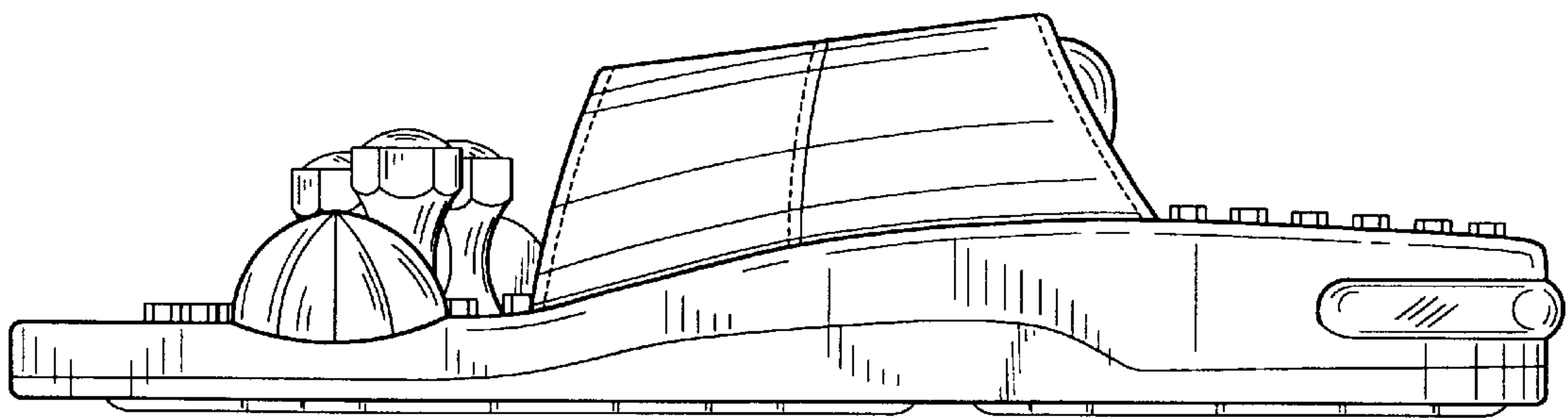


FIG. 4

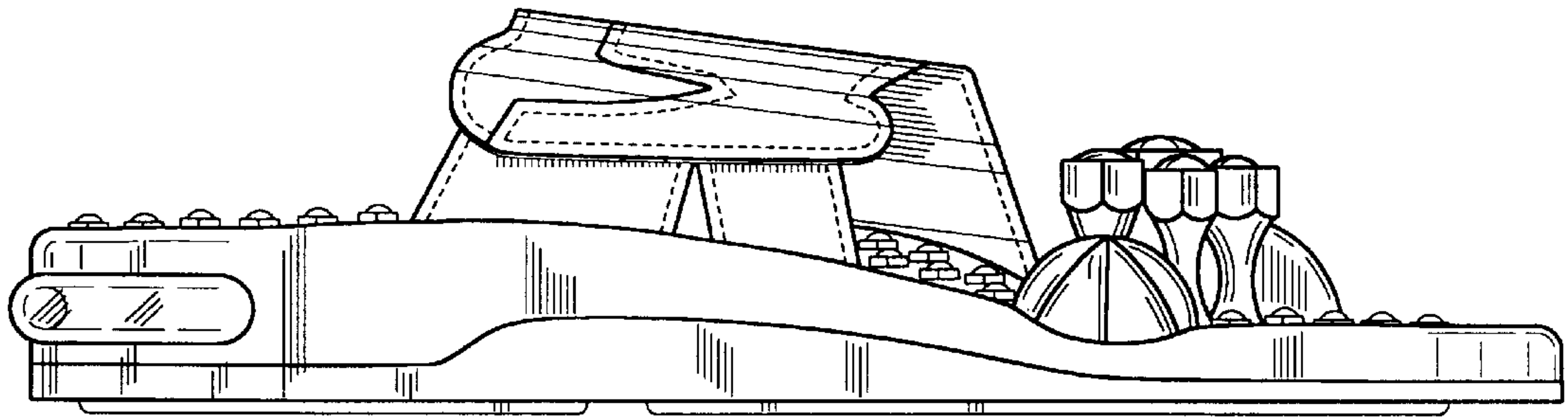


FIG. 5

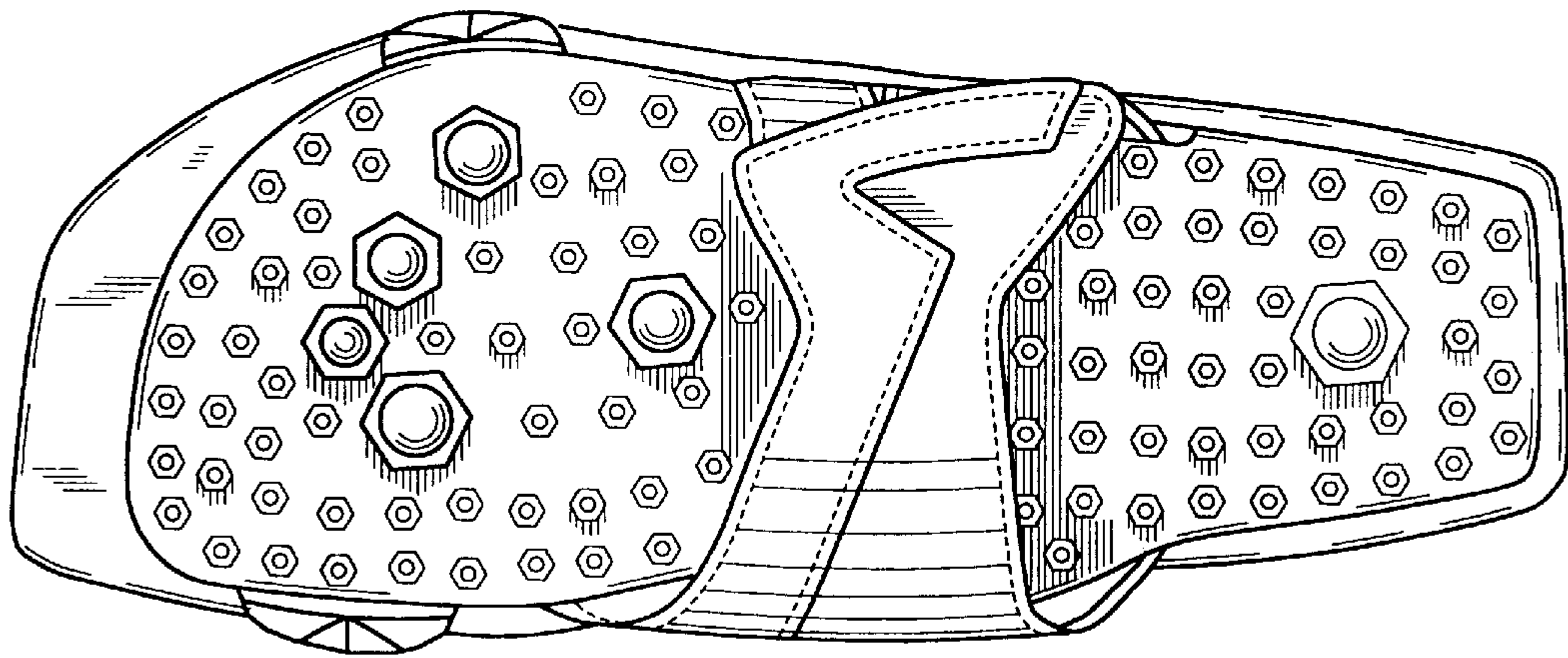


FIG. 6

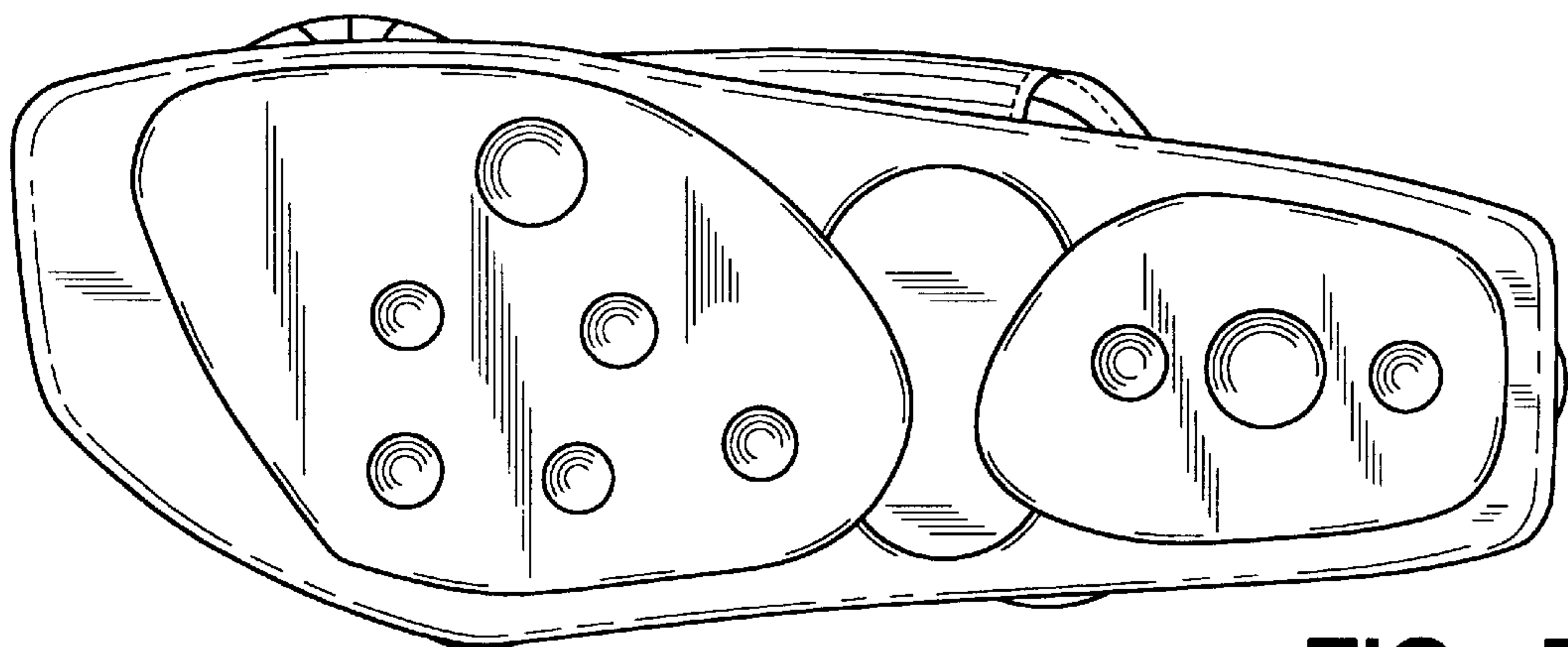


FIG. 7