



US00D400680S

# United States Patent [19]

Rothfuss et al.

[11] **Patent Number: Des. 400,680**

[45] **Date of Patent: \*\*Nov. 3, 1998**

[54] **CONVEYOR BELT MODULE**

[75] Inventors: **Peter Rothfuss**, Ditzingen; **Klaus Schoen**, Altbach, both of Germany

[73] Assignee: **Robert Bosch GmbH**, Stuttgart, Germany

[\*\*] Term: **14 Years**

[21] Appl. No.: **64,949**

[22] Filed: **Jan. 15, 1997**

[30] **Foreign Application Priority Data**

Jul. 22, 1996 [DE] Germany ..... M 96 06189.8

[51] **LOC (6) Cl.** ..... **12-05**

[52] **U.S. Cl.** ..... **D34/29**

[58] **Field of Search** ..... D34/28, 29; 186/66, 186/68; 198/860.1, 861.1, 429, 430, 823

[56] **References Cited**

**U.S. PATENT DOCUMENTS**

D. 193,551	9/1962	Golden	.....	D34/29
D. 329,316	9/1992	Adams	.....	D34/29
3,077,950	2/1963	Brown	.....	186/66

4,618,032	10/1986	Woolf	.....	186/68
5,129,507	7/1992	Maeda et al.	.....	198/861.1
5,167,301	12/1992	Cappi et al.	.....	186/66
5,529,171	6/1996	Langenbeck	.....	198/860.1

**OTHER PUBLICATIONS**

“Prodel ” Leaflet of engineering PRODEL automation, Ribecourt, France, 1990.

*Primary Examiner*—Alan P. Douglas  
*Assistant Examiner*—Robin V. Taylor  
*Attorney, Agent, or Firm*—Spencer & Frank

[57] **CLAIM**

The ornamental design for a conveyor belt module, as shown.

**DESCRIPTION**

FIG. 1 is an elevation view showing the front of the module; FIG. 2 is an elevation view showing the rear of the module; FIG. 3 is an elevation view showing the right side of the module; FIG. 4 is an elevation view showing the left side of the module; and, FIG. 5 is a top view of the module.

**1 Claim, 5 Drawing Sheets**

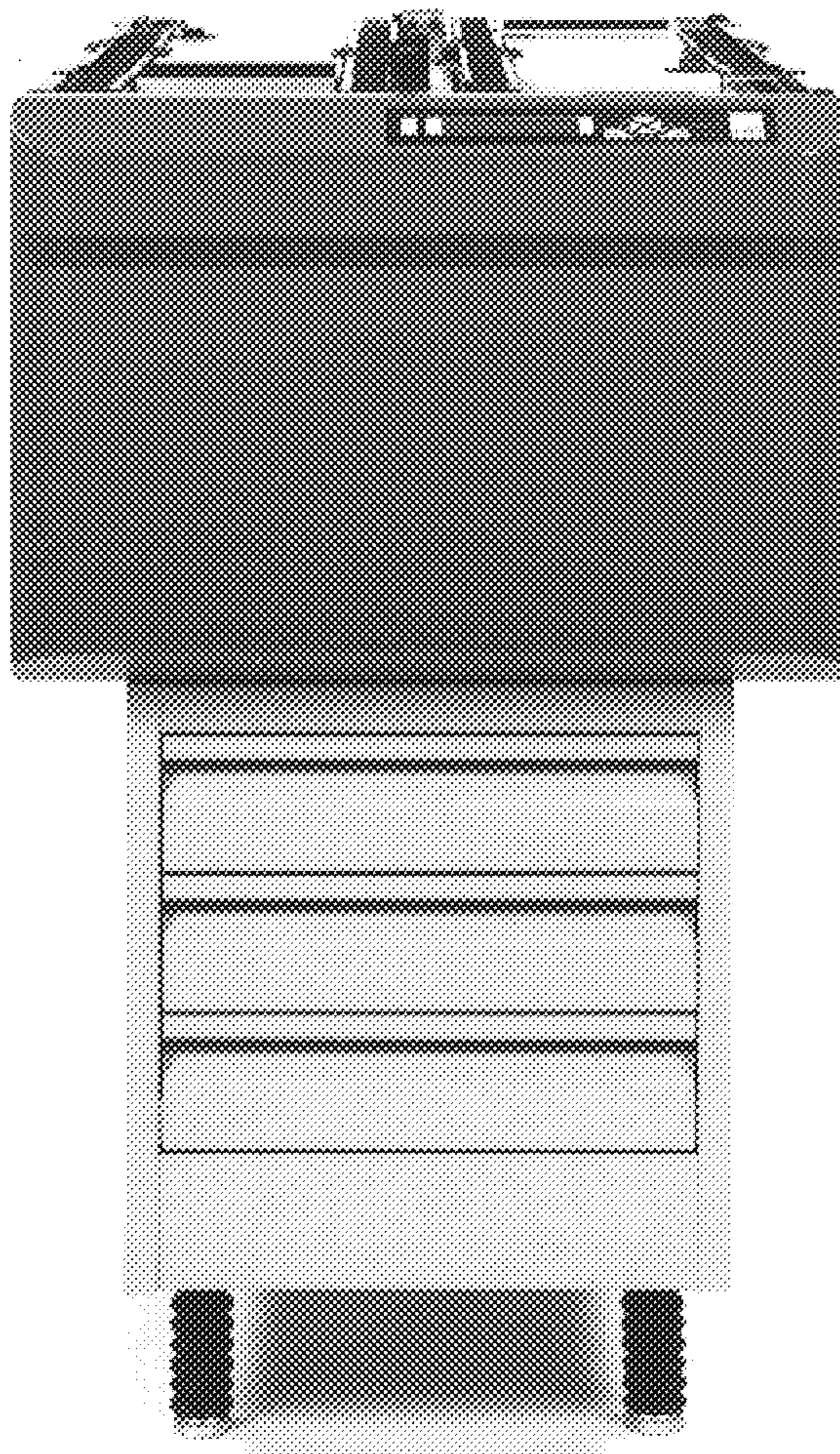




FIGURE 1



FIGURE 2

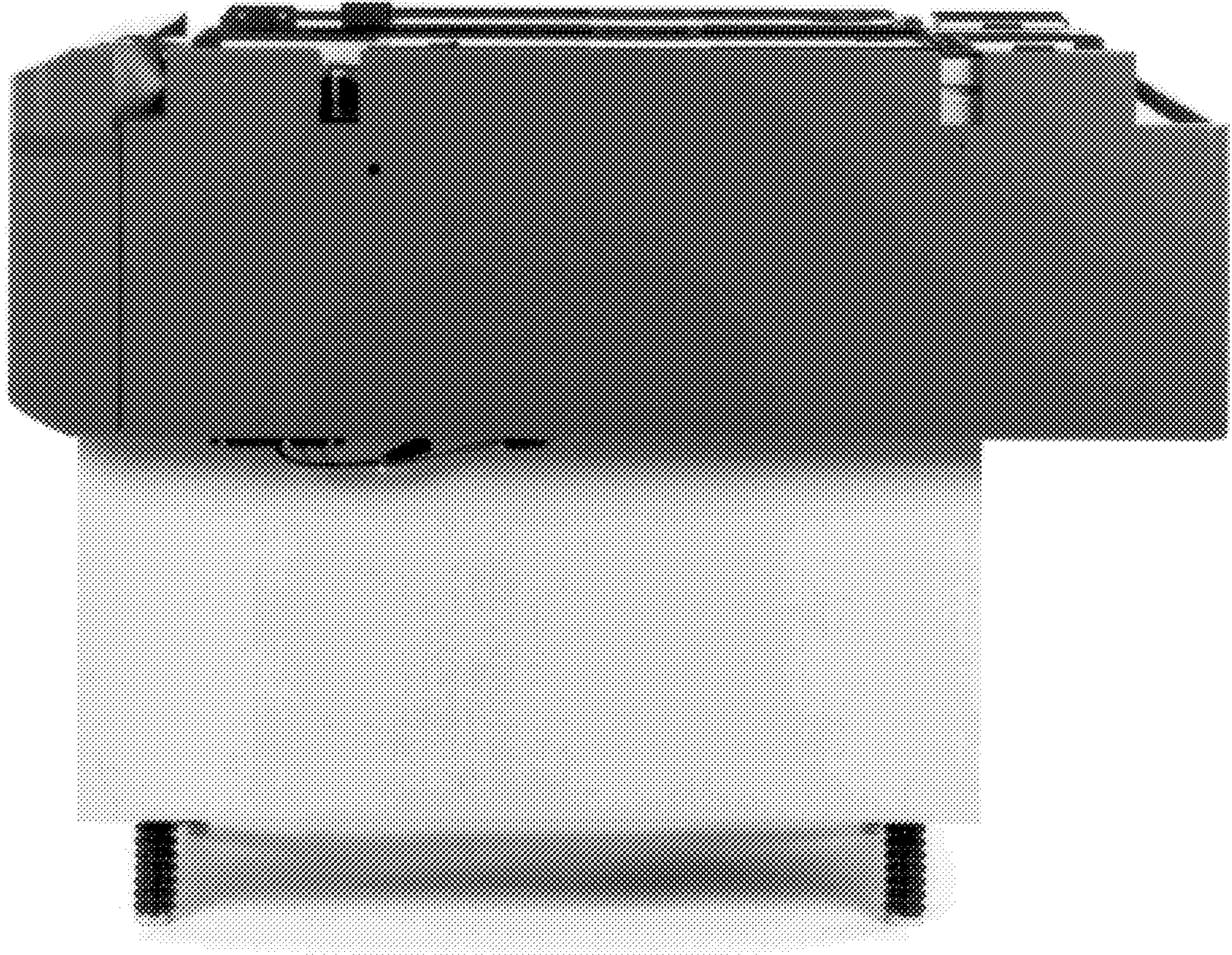


FIGURE 3

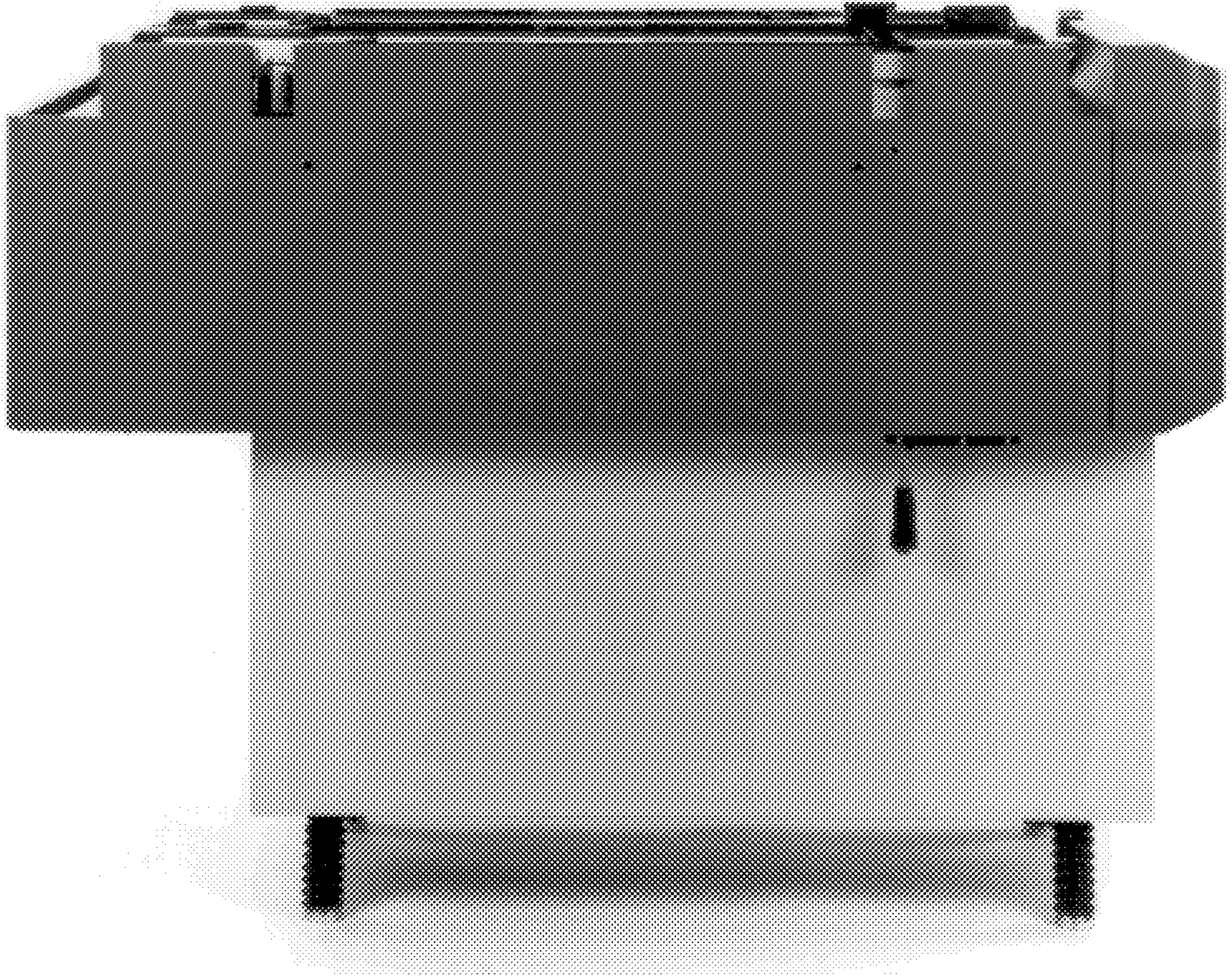


FIGURE 4

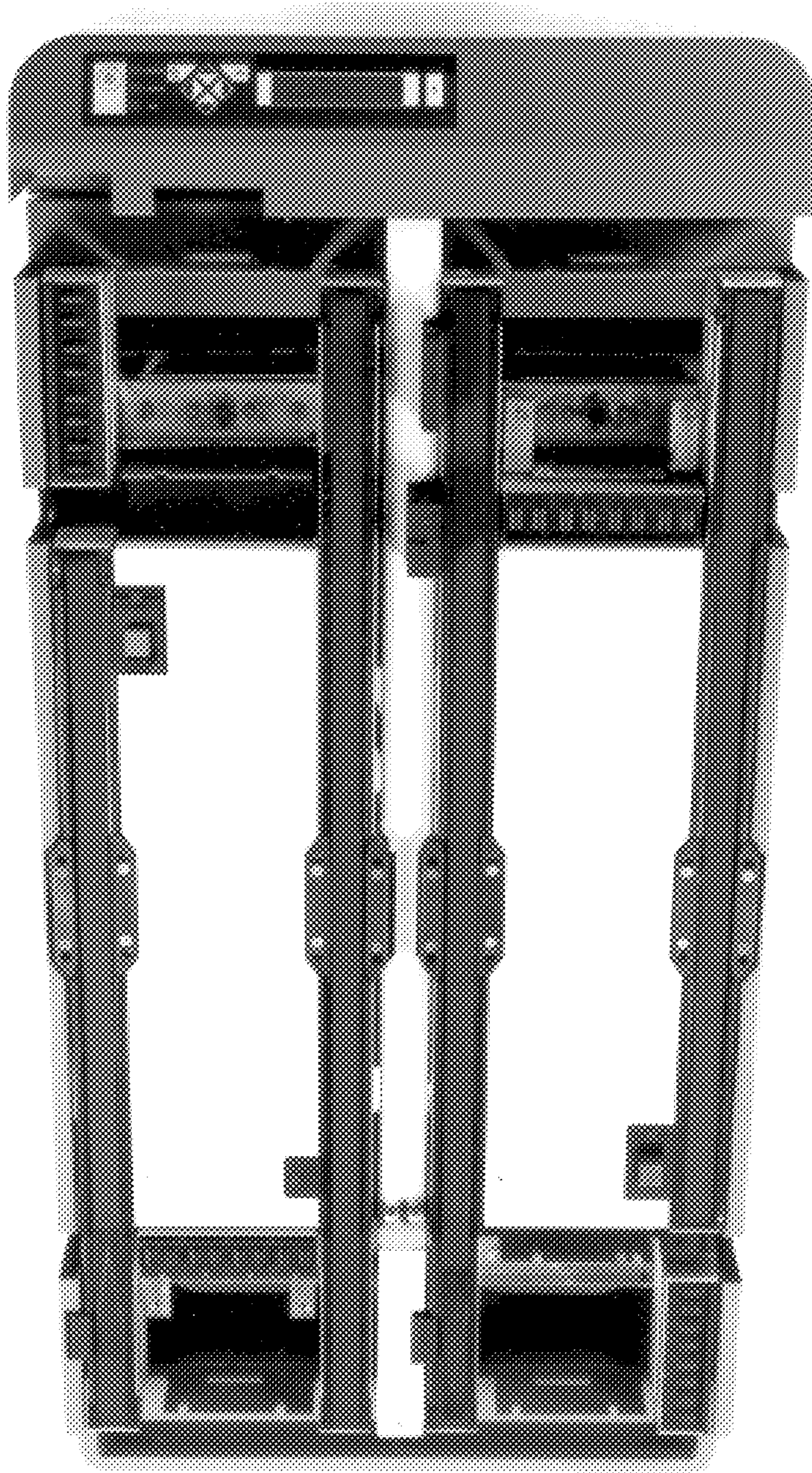


FIGURE 5