



US00D400678S

United States Patent [19]
Clark et al.

[11] **Patent Number: Des. 400,678**
[45] **Date of Patent: **Nov. 3, 1998**

[54] **SUPERMARKET CART CADDY**

984,225 2/1911 Knapp .
4,557,452 12/1985 Khuong 248/214

[75] Inventors: **Bruce D. Clark**, Orono; **Peter W. A. Bergin**, Eden Prairie, both of Minn.

Primary Examiner—Kay H. Chin
Attorney, Agent, or Firm—Westman, Champlin & Kelly, P.A.

[73] Assignee: **MTS Northwest Sound, Inc.**, Minneapolis, Minn.

[57] **CLAIM**

[**] Term: **14 Years**

The ornamental design for a supermarket cart caddy, as shown and described.

[21] Appl. No.: **66,901**

DESCRIPTION

[22] Filed: **Feb. 27, 1997**

[51] **LOC (6) Cl.** **12-02**

FIG. 1 is a top perspective view of a supermarket cart caddy showing our new design, the supermarket cart caddy shown in broken lines are for clarity of illustration and form no part of the claimed design;

[52] **U.S. Cl.** **D34/27; D7/620**

FIG. 2 is a top plan view thereof;

[58] **Field of Search** D34/27; D7/619, D7/620, 622; 280/33.992; 248/311.2, DIG. 12, 313; 224/544, 547, 564, 566, 483, 485, 926; 297/188.04, 188.01, 188.06, 188.2

FIG. 3 is a rear view thereof;

FIG. 4 is a side view thereof;

FIG. 5 is a side view thereof from a side opposite FIG. 4;

FIG. 6 is a rear view thereof; and

FIG. 7 is a bottom plan view thereof; and,

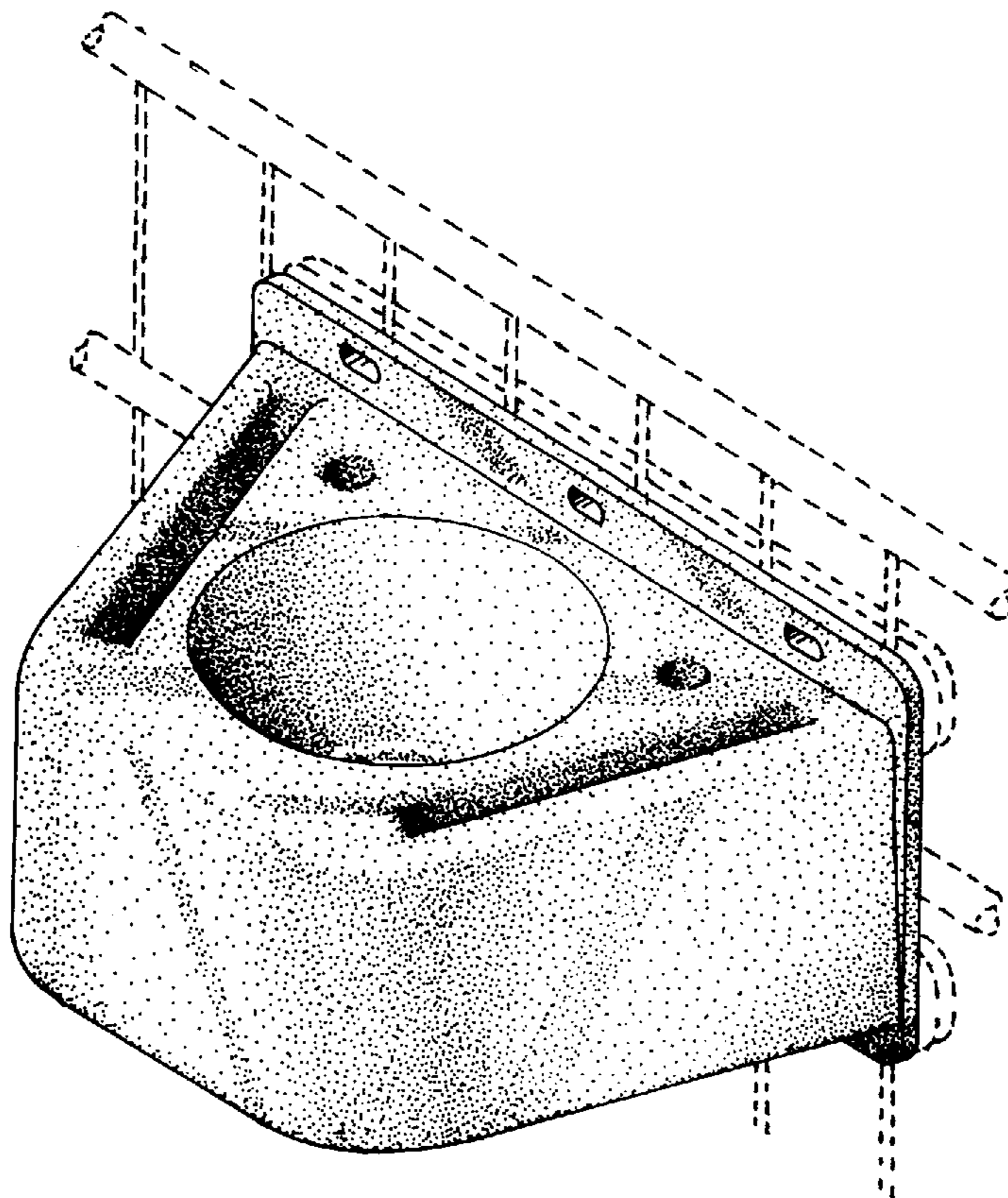
FIG. 8 is an enlarged top perspective view thereof.

[56] **References Cited**

U.S. PATENT DOCUMENTS

- D. 368,628 4/1996 Bergin D7/620
- D. 383,362 9/1997 Ayotte et al. D7/620

1 Claim, 5 Drawing Sheets



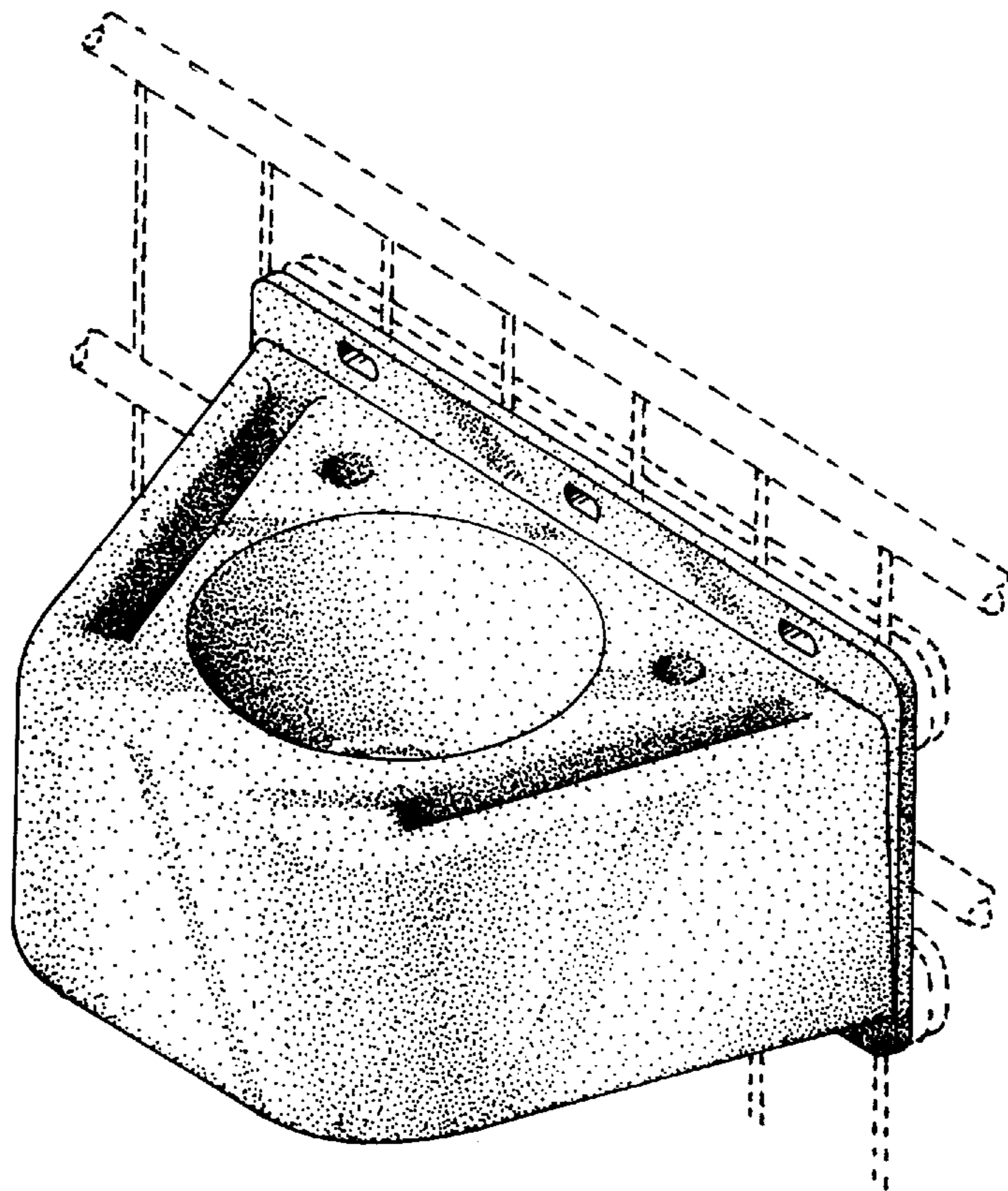


Fig. 1

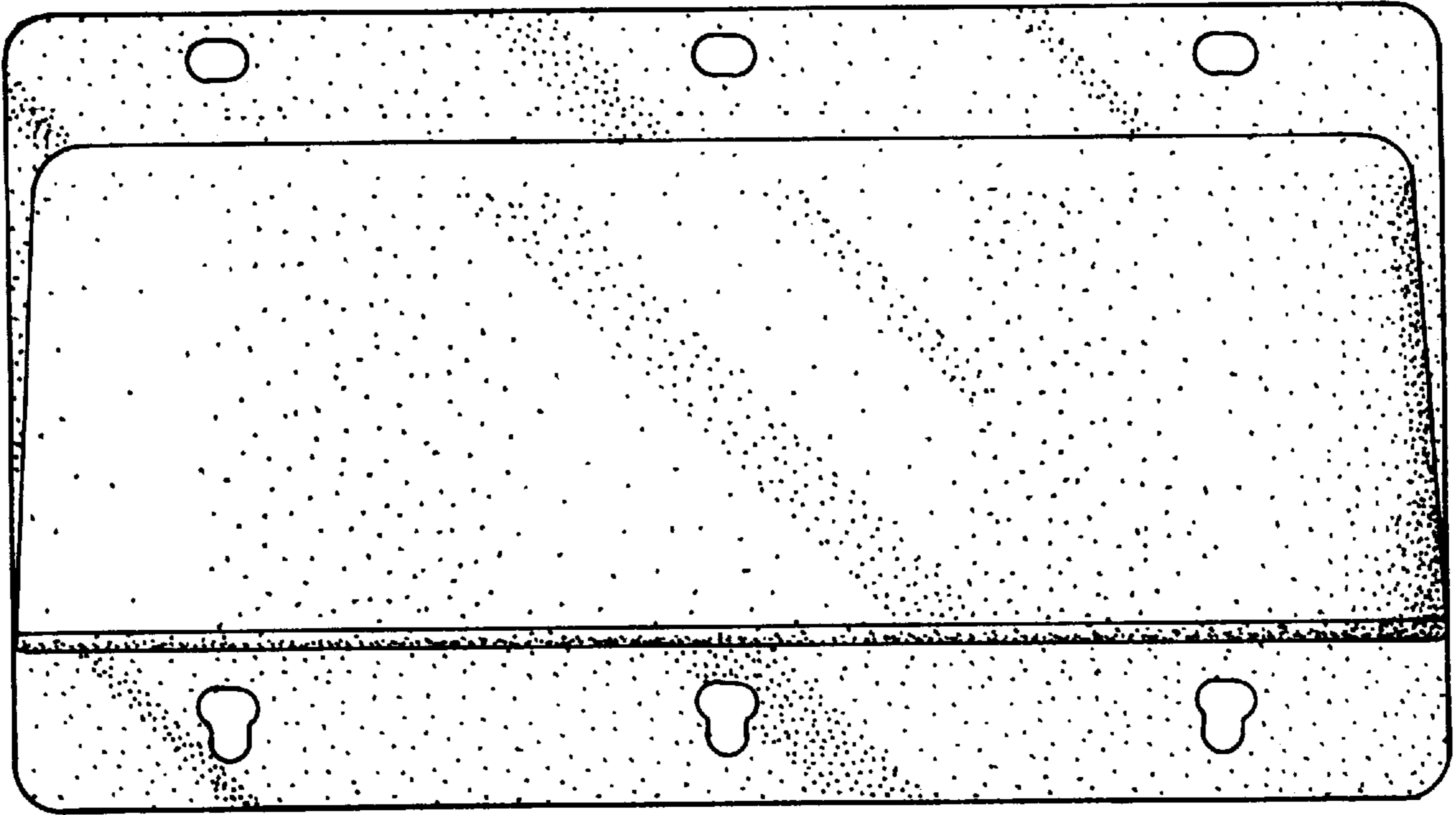


Fig. 3

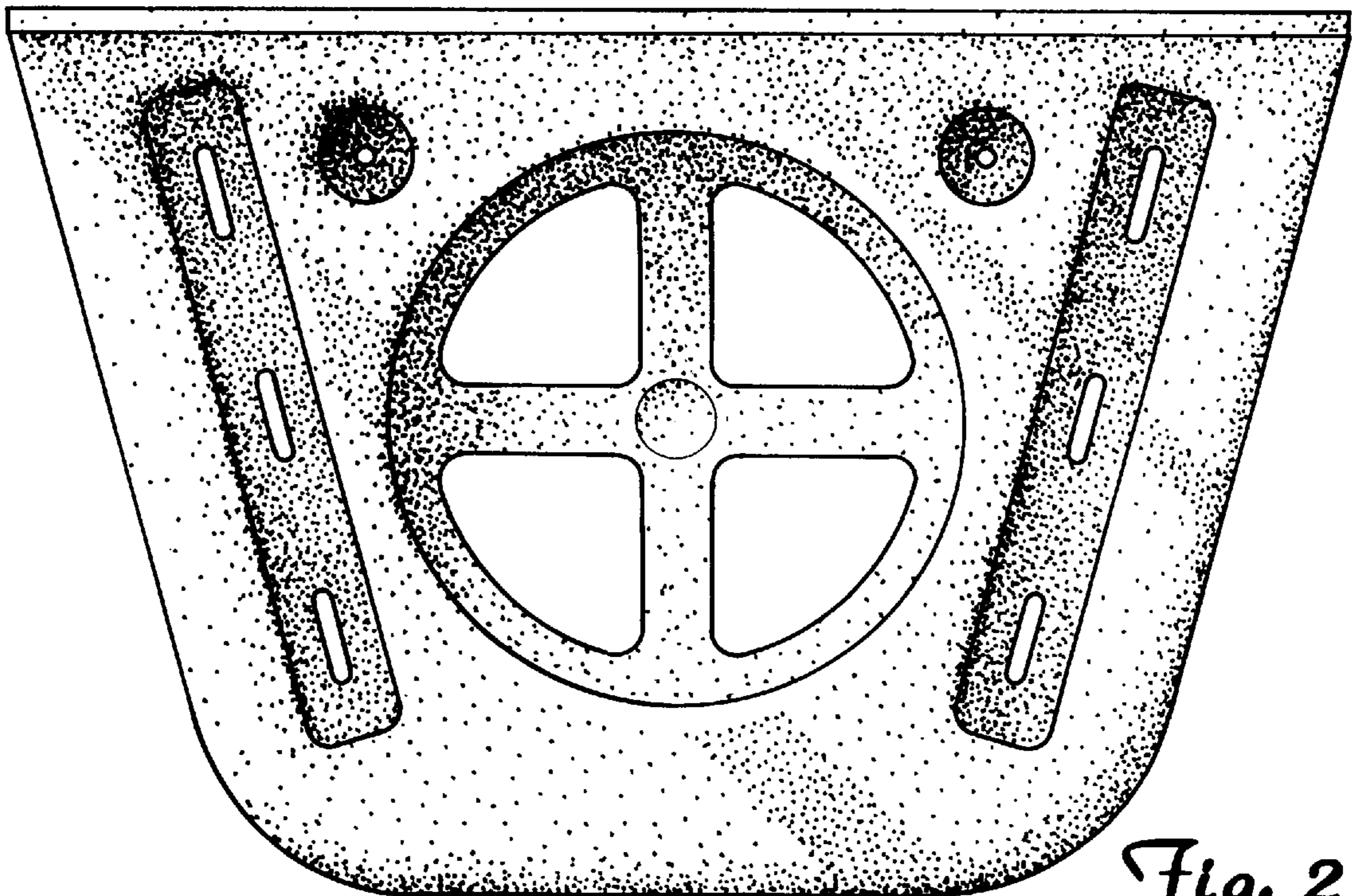


Fig. 2

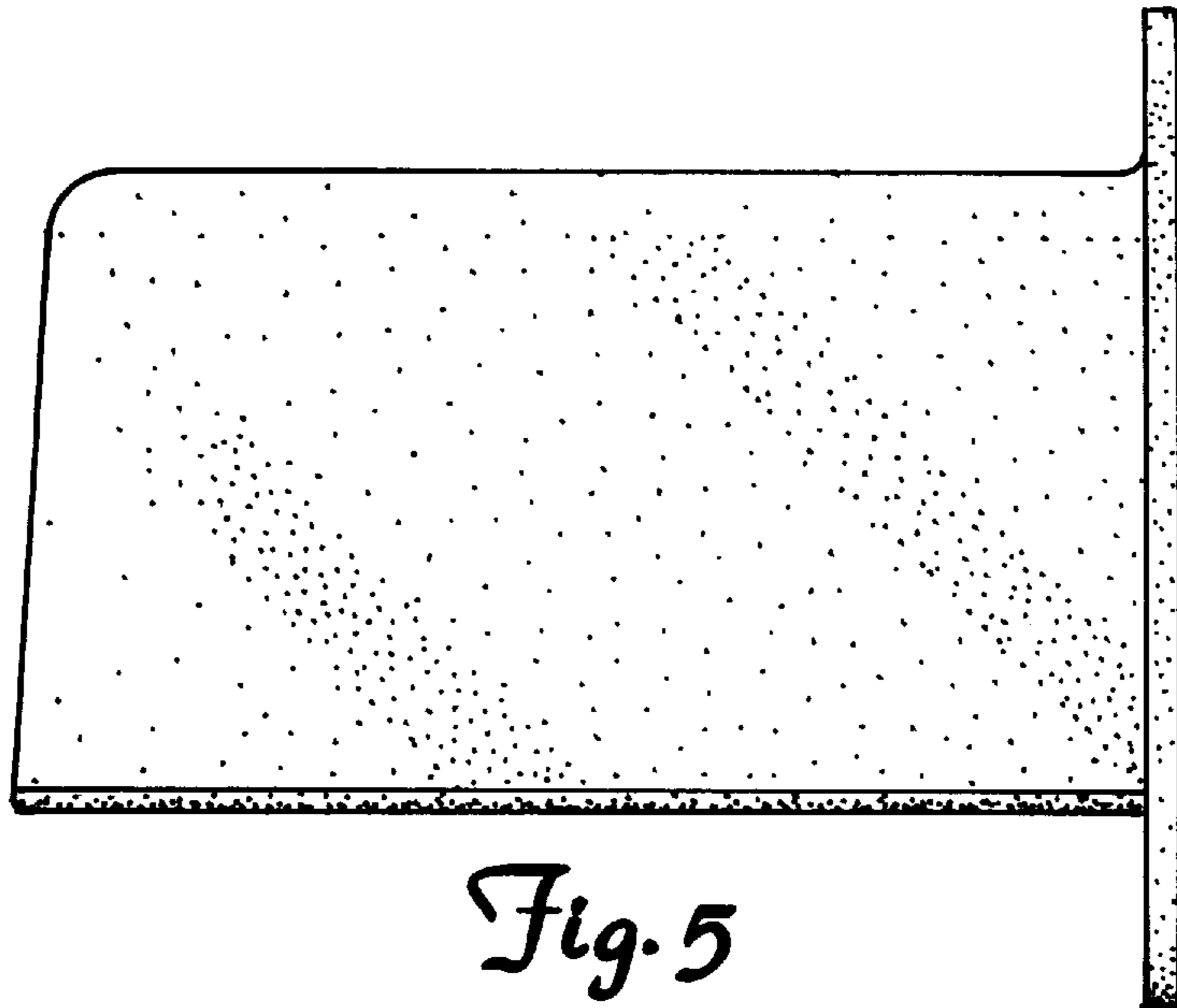


Fig. 5

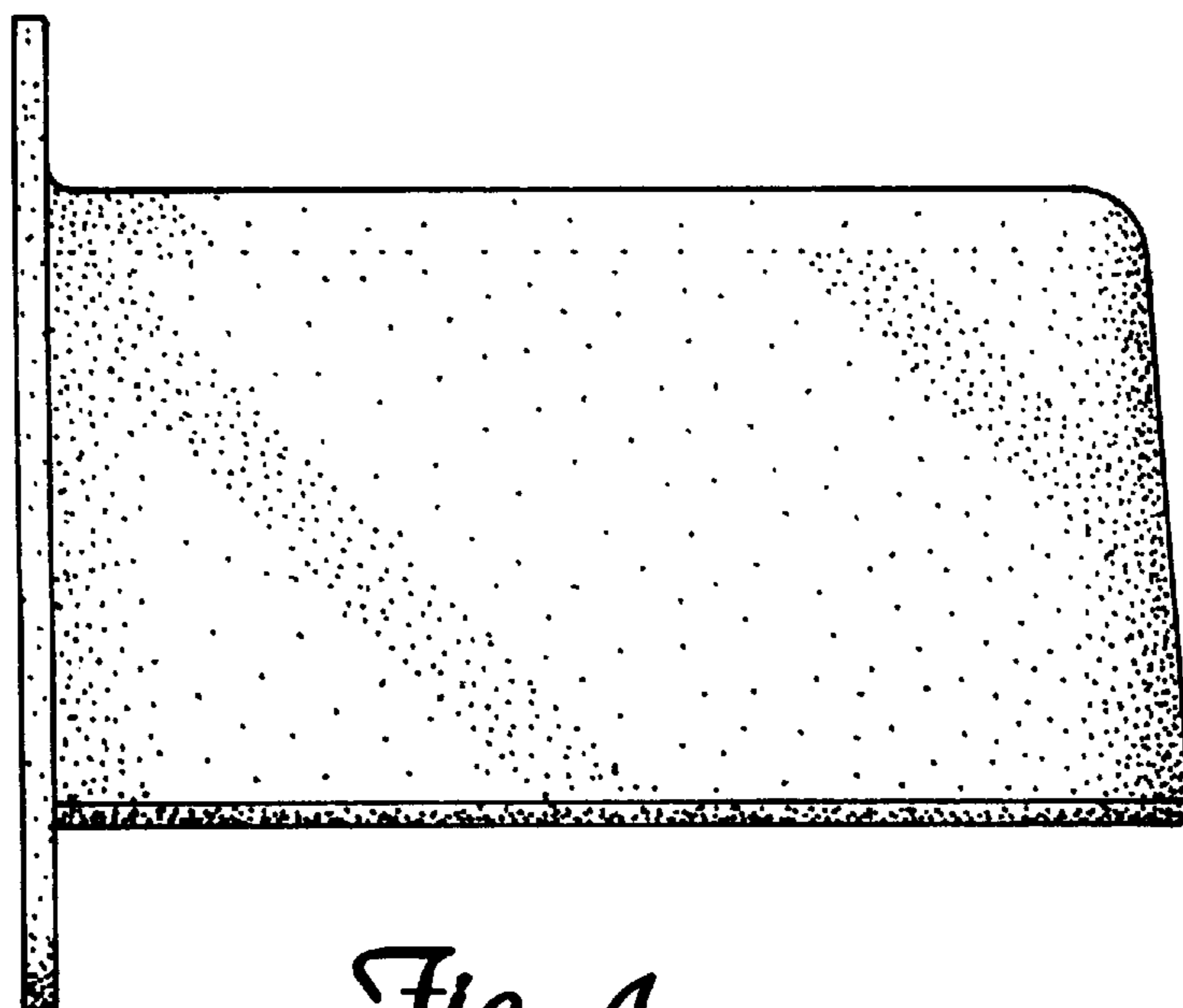


Fig. 4

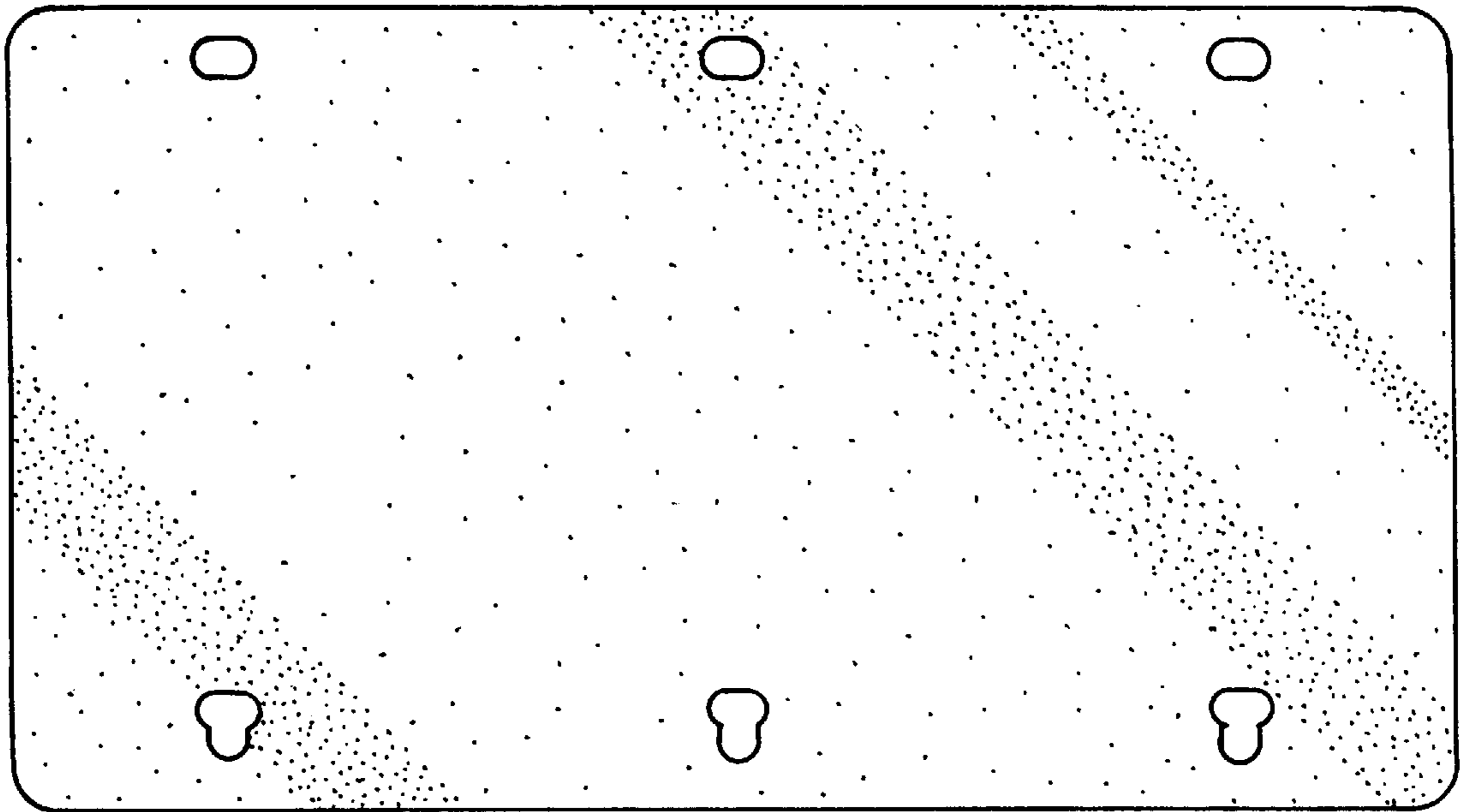


Fig. 6

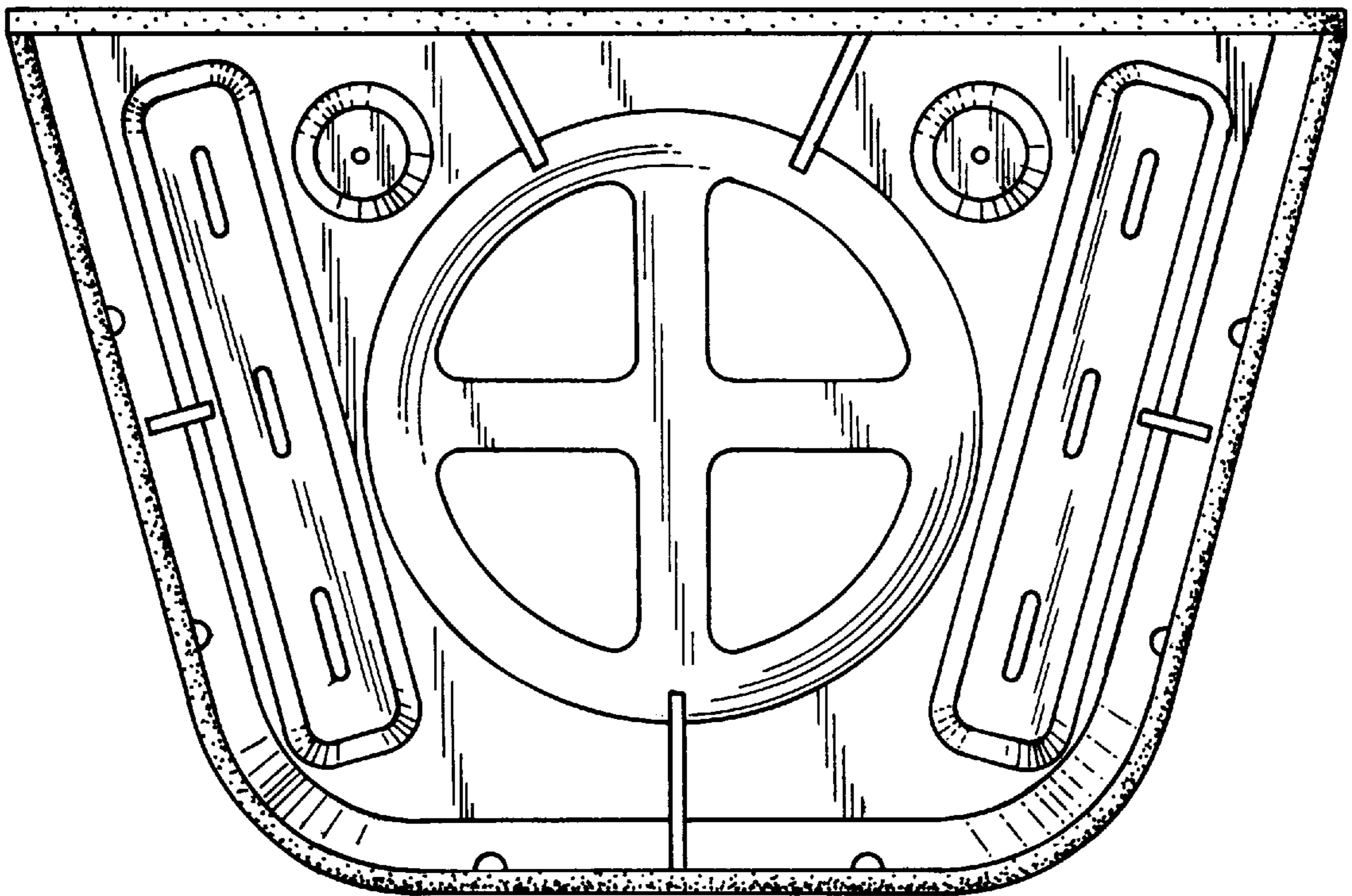


Fig. 7

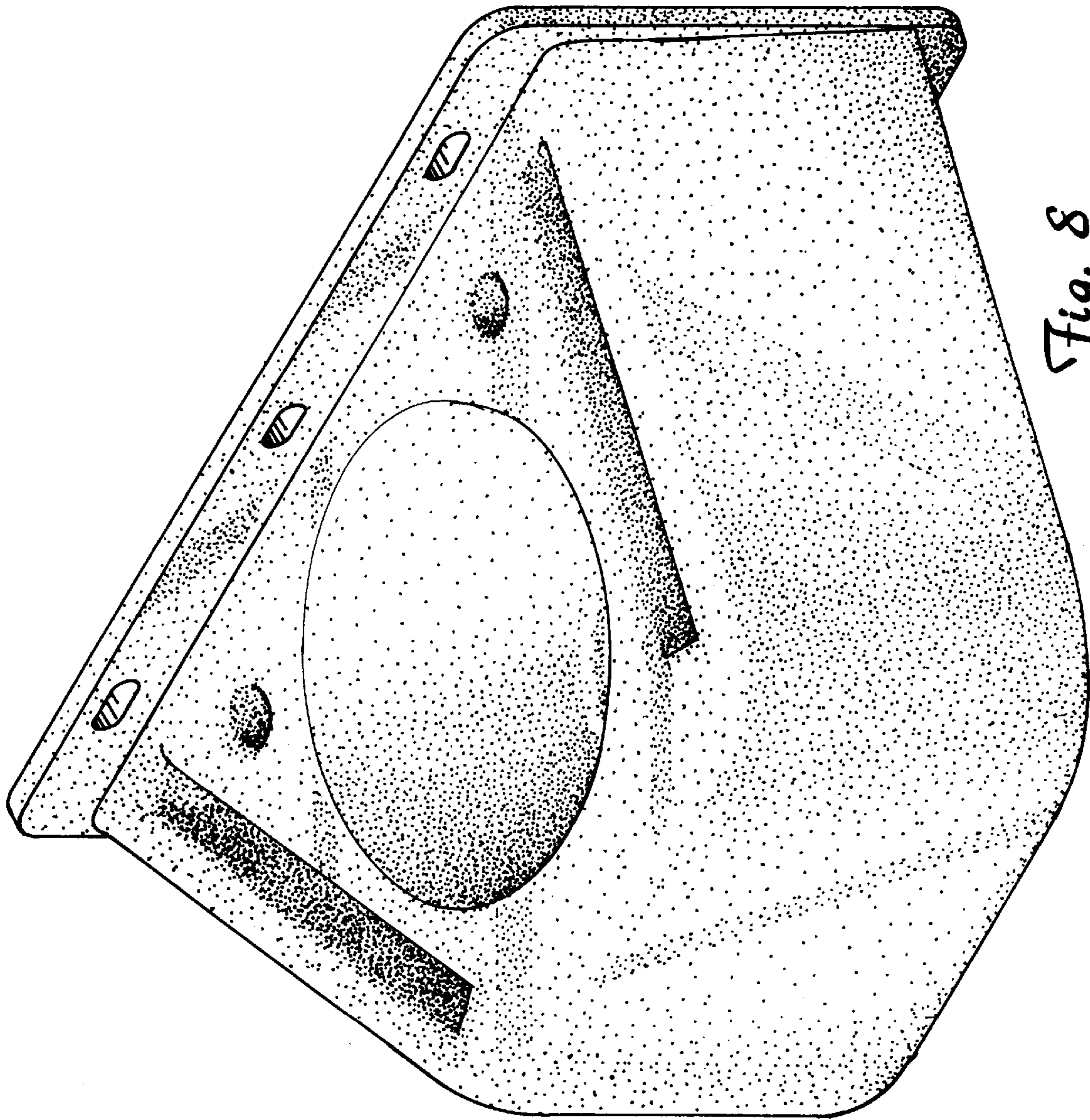


Fig. 8