



US00D400675S

United States Patent [19] Sopko

[11] **Patent Number: Des. 400,675**

[45] **Date of Patent: **Nov. 3, 1998**

[54] **LIGHT BAR**

D. 324,921 3/1992 Stanuch et al. D10/114
D. 347,902 6/1994 Stutts D26/35

[76] Inventor: **Sean J. Sopko**, 3537 N. Flowing Wells Rd., Tucson, Ariz. 85705

Primary Examiner—Marcus A. Jackson
Attorney, Agent, or Firm—Harold H. Dutton, Jr.; Diane F. Liebman

[**] Term: **14 Years**

[21] Appl. No.: **55,041**

[57] **CLAIM**

[22] Filed: **May 28, 1996**

The ornamental design for a light bar, as shown.

[51] **LOC (6) Cl.** **26-06**

DESCRIPTION

[52] **U.S. Cl.** **D26/35**; D10/114

FIG. 1 is a perspective view of a light bar showing my new design;

[58] **Field of Search** D12/222, 156,
D12/157; D26/28-36; D10/114; 362/61,
80, 80.1, 82, 83, 83.3; 280/756

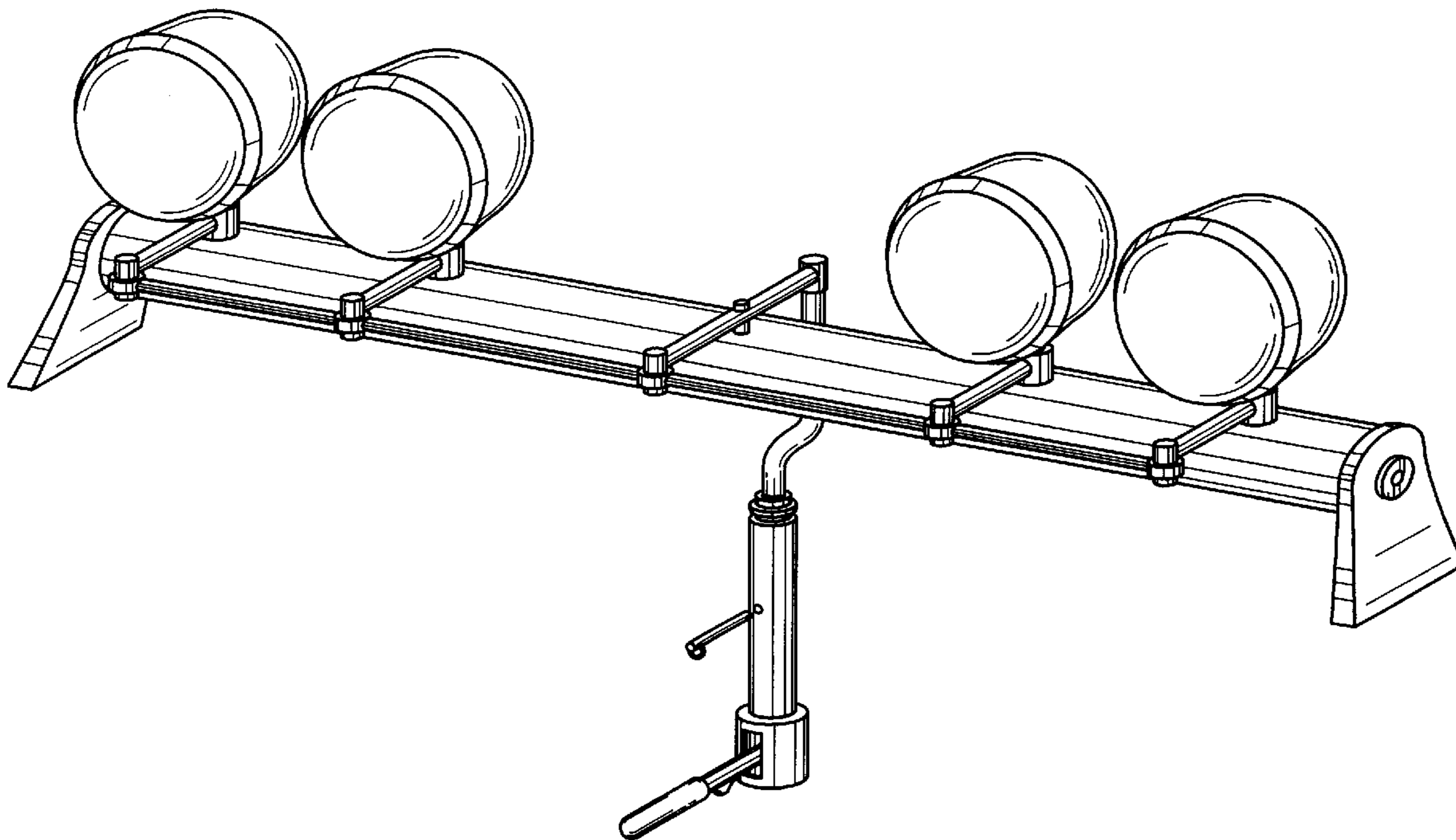
FIG. 2 is a front view thereof;
FIG. 3 is a rear view thereof;
FIG. 4 is a left side view thereof;
FIG. 5 is a right side view thereof;
FIG. 6 is a top view thereof; and,
FIG. 7 is a bottom view thereof.

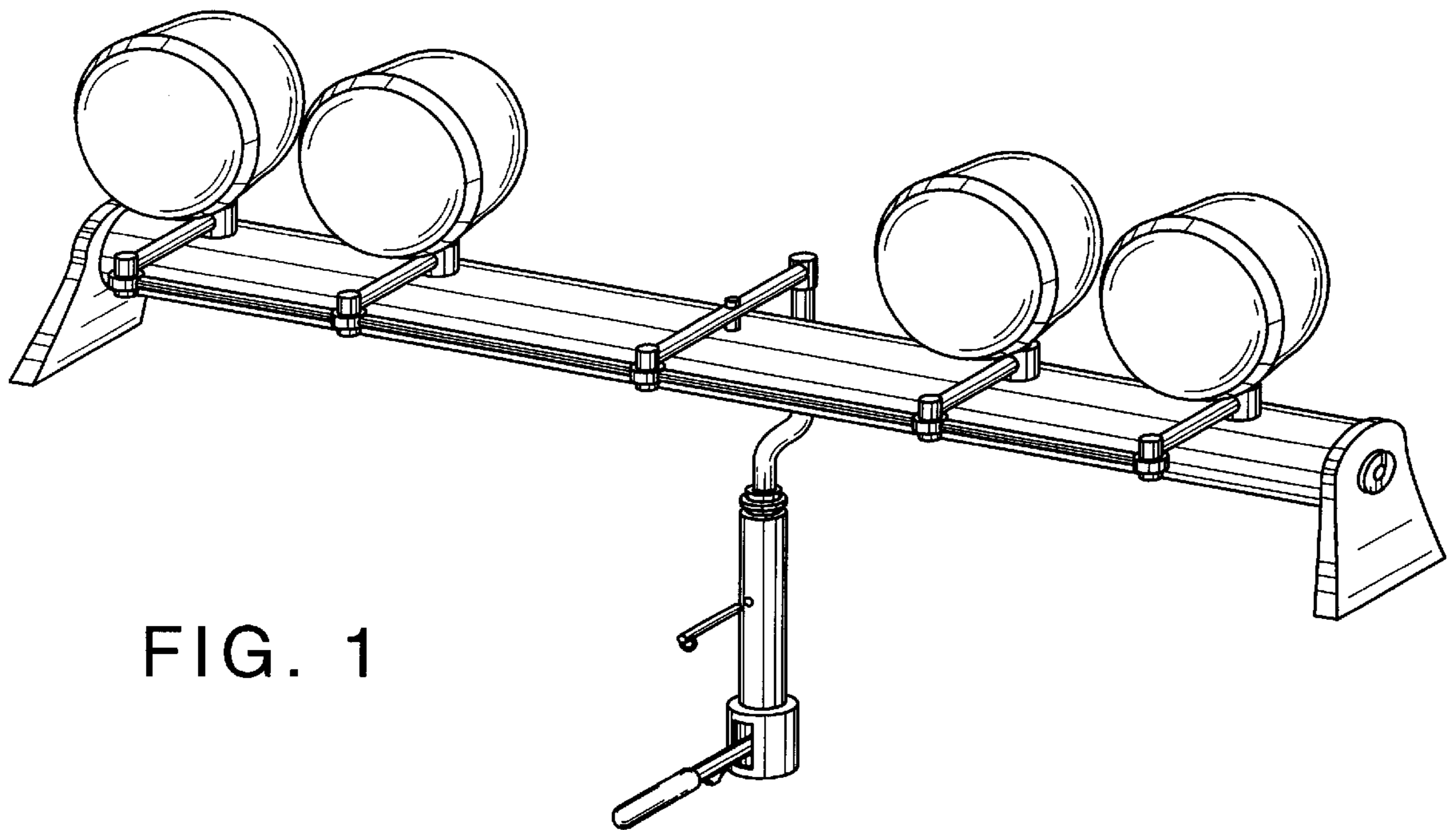
[56] **References Cited**

U.S. PATENT DOCUMENTS

D. 310,793 9/1990 Castagna D10/114
D. 317,428 6/1991 Carr D10/114

1 Claim, 5 Drawing Sheets





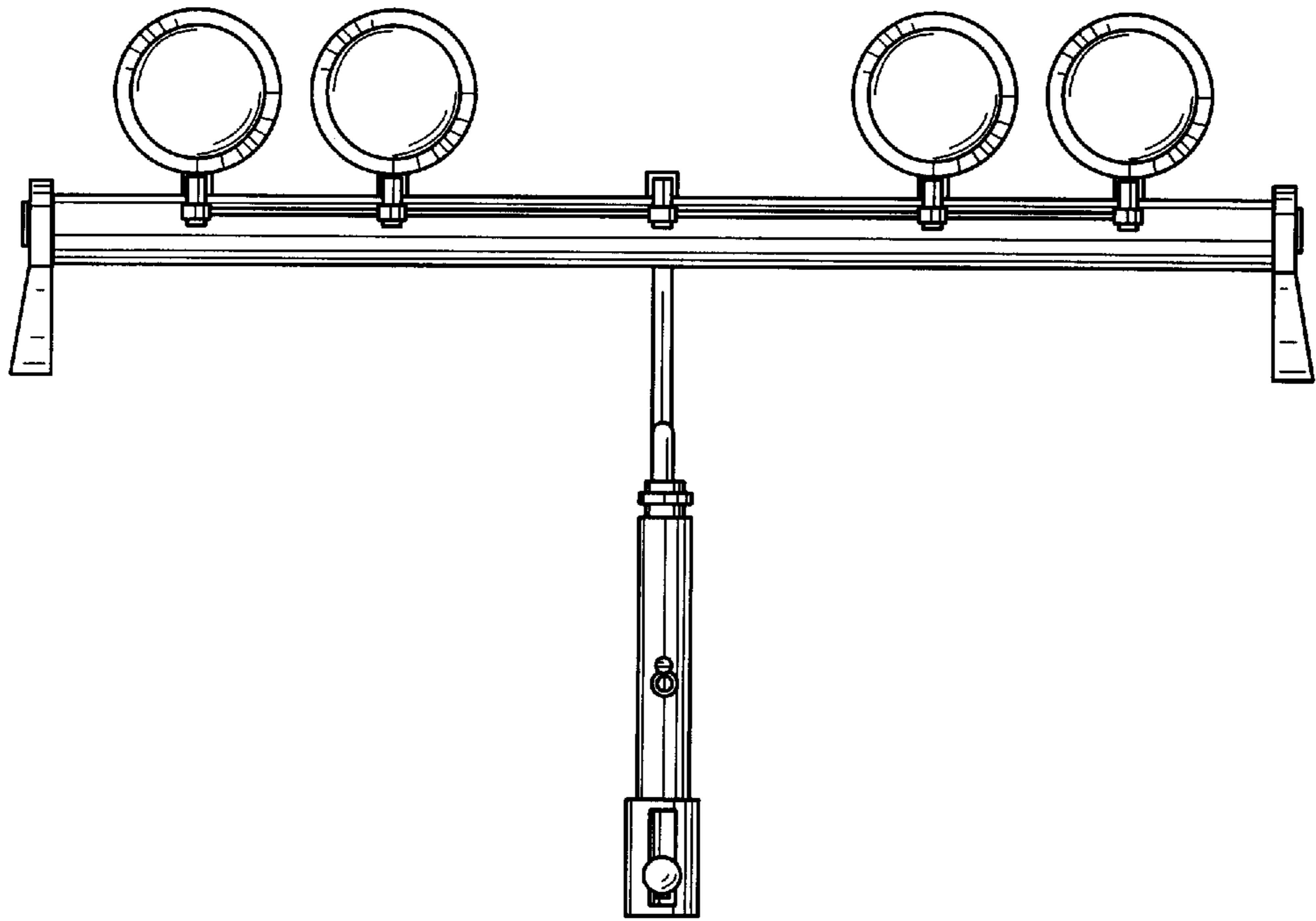


FIG. 2

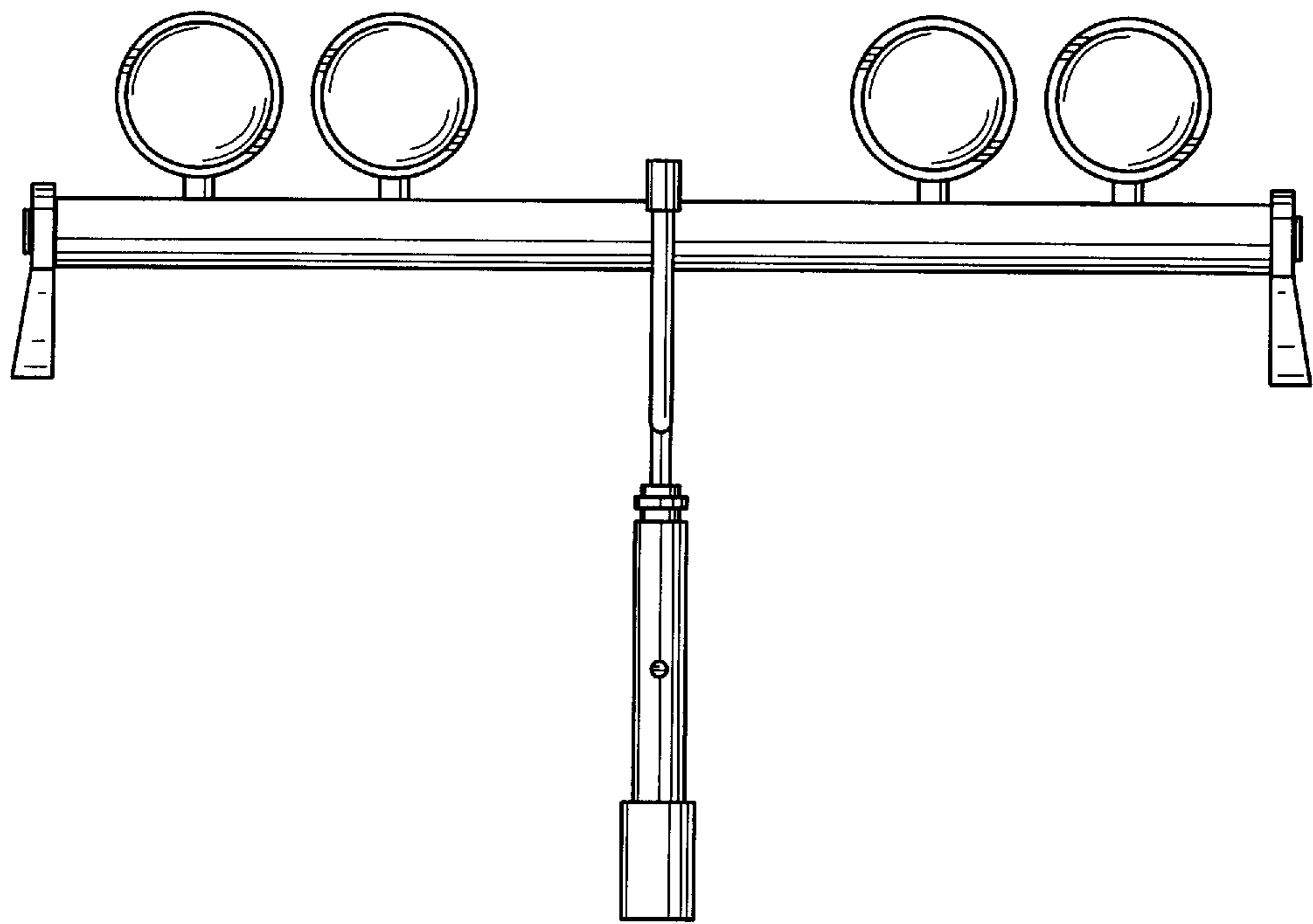


FIG. 3

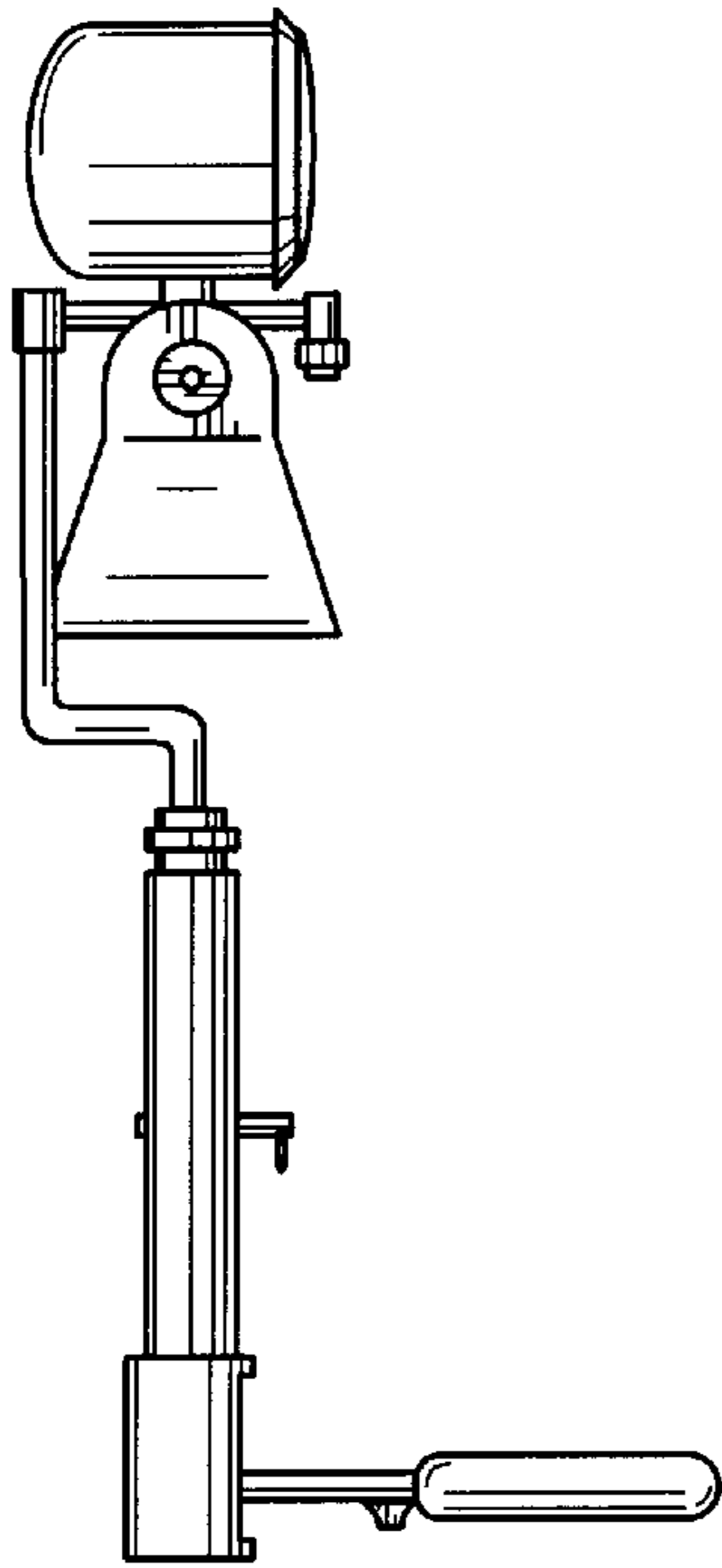


FIG. 4

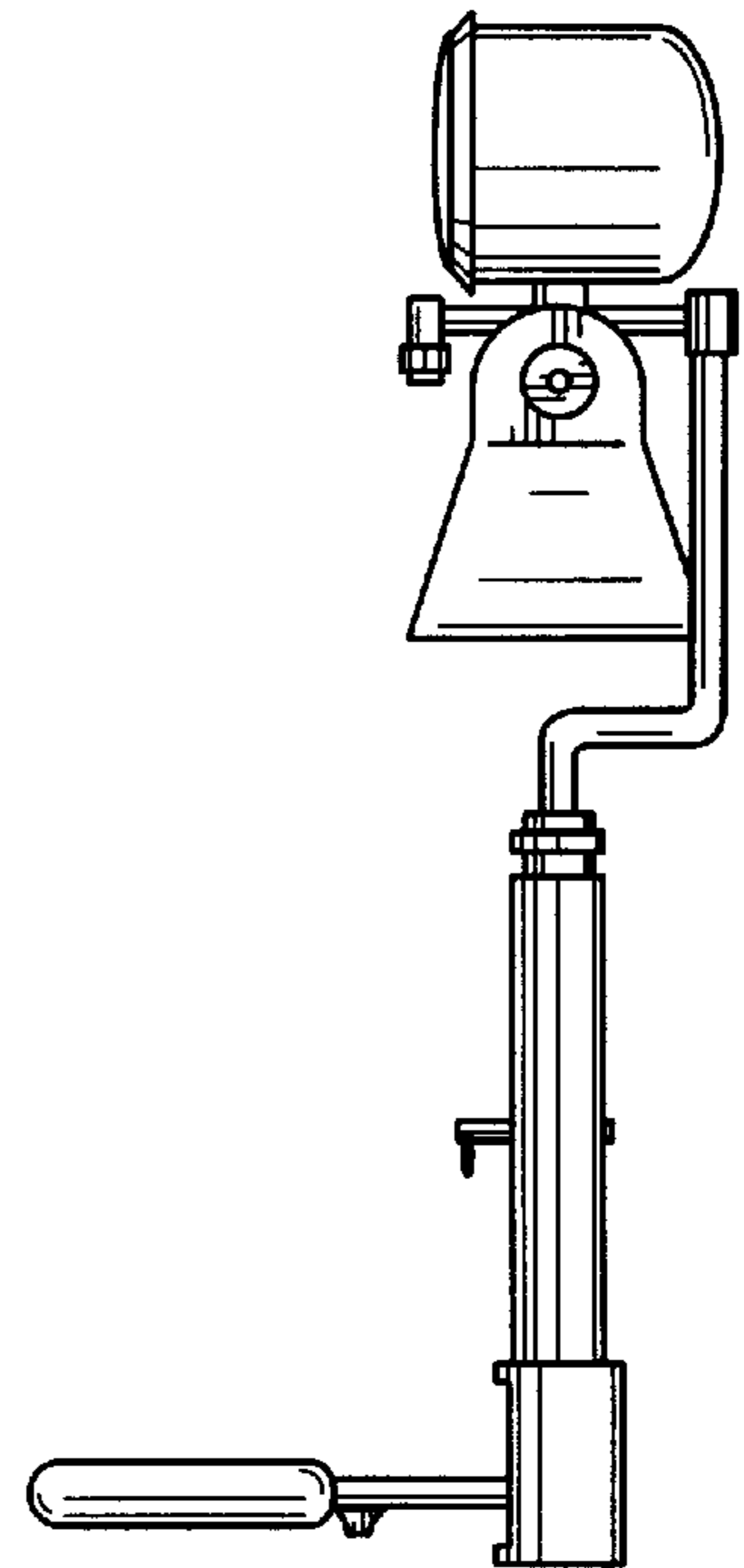


FIG. 5

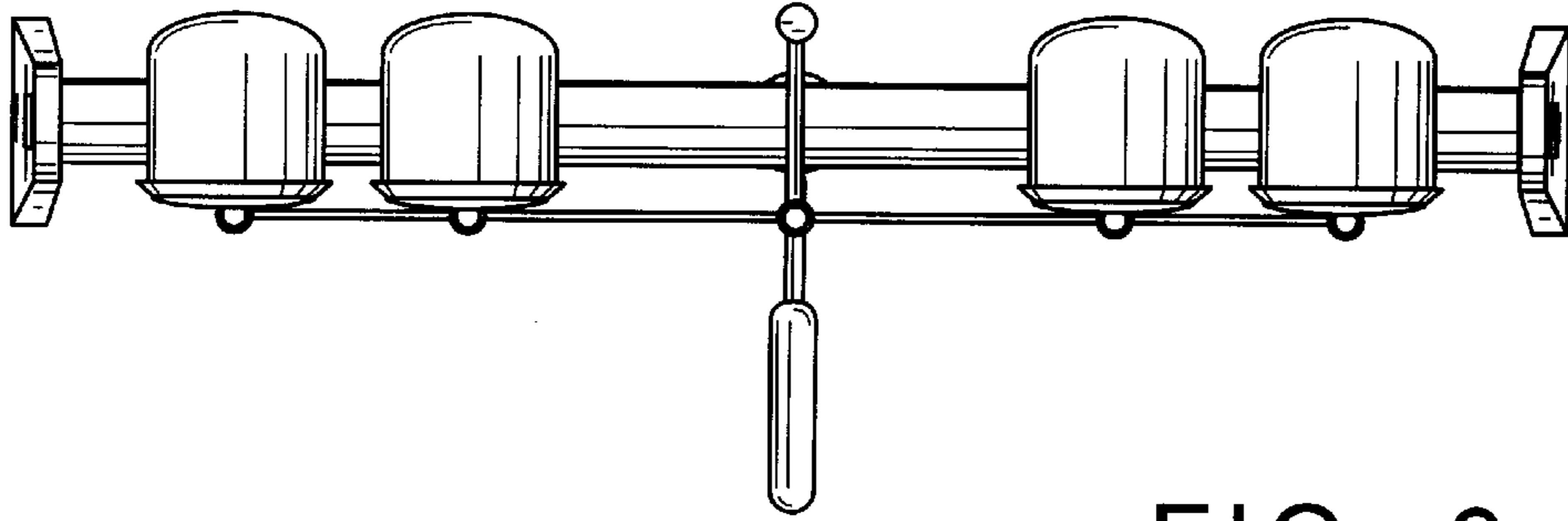


FIG. 6

FIG. 7

